

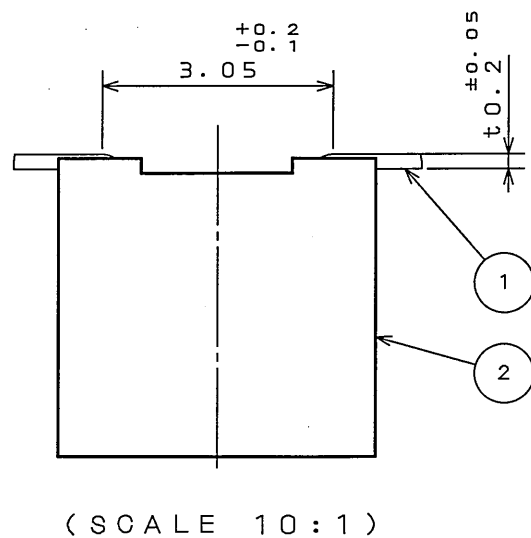
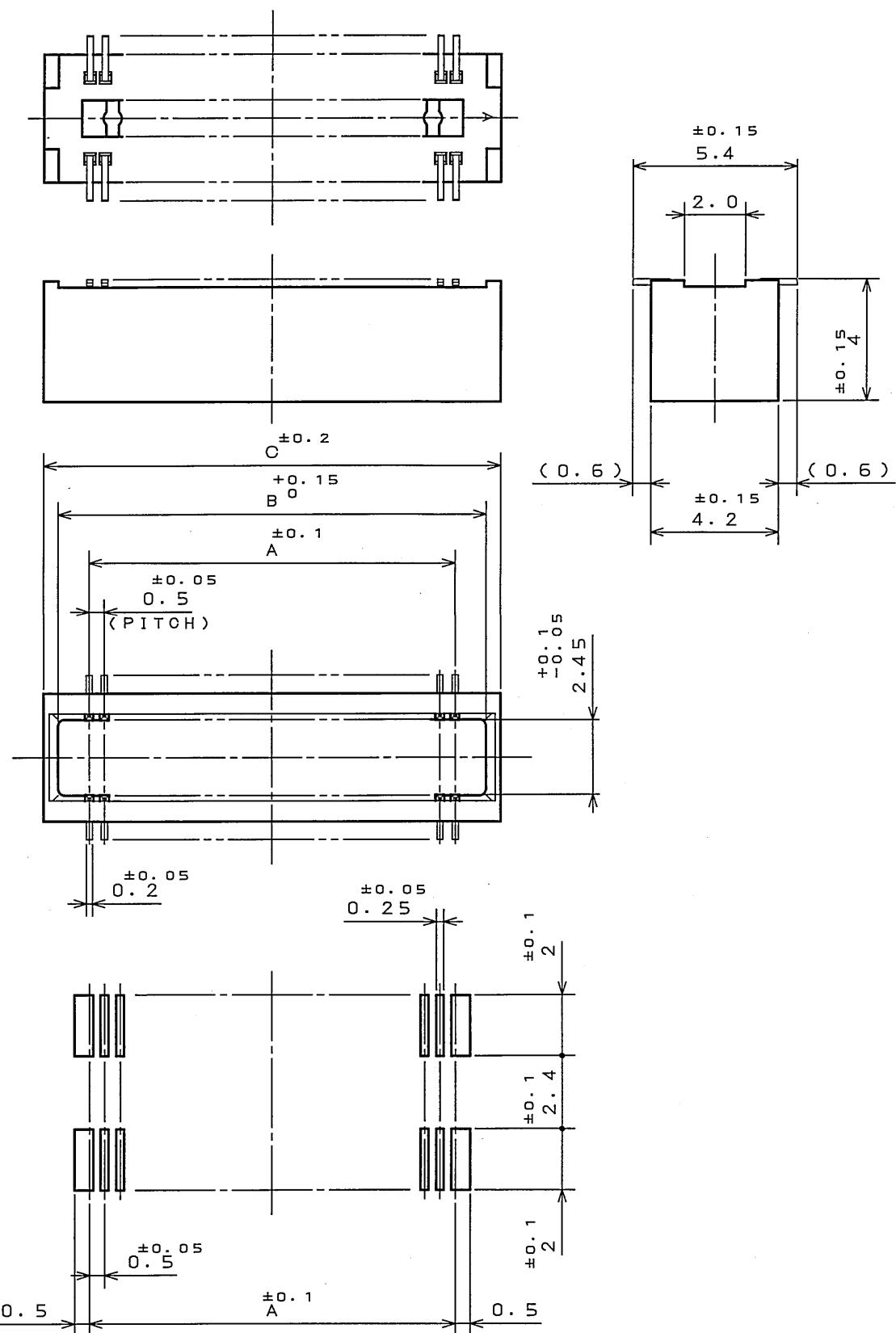


**THE DATASHEET OF
WR-80P-VF50-N1-R1300**

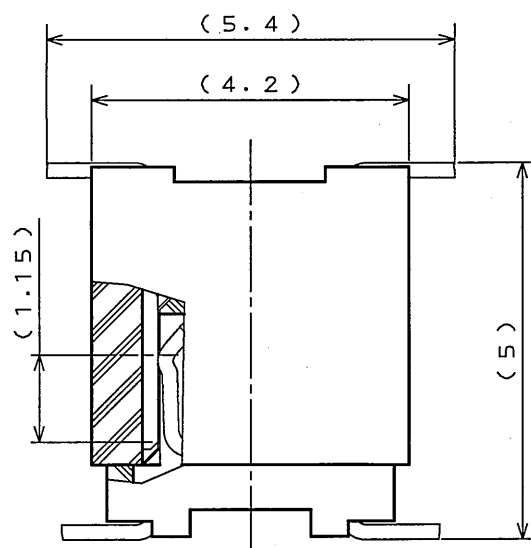


6SE001PS
(ON 0NIMVH0)台票圖圖

版数 REV.	年月日 DATE	DCN NO.	変更内容 DESCRIPTION	製図 DR.	担当 CHK.	査閲 APPD.	承認 APPD.



(SCALE 10:1)



MATED CONDITION (REF.)
(SCALE 10:1)

TABLE 1

No. OF CONTACT(N)	A	B	C
30	7.0	9.0	10.0
40	9.5	11.5	12.5
50	12.0	14.0	15.0
60	14.5	16.5	17.5
70	17.0	19.0	20.0
80	19.5	21.5	22.5
120	29.5	31.5	32.5

TABLE 2

FINISH	CONTACT AREA	TERMINAL AREA
N 1	GOLD(0.1μm MIN) OVER NICKEL	GOLD FLASH OVER NICKEL

NOTE 1. COPLANARITY IS AS PER APPLICABLE SPECIFICATION.

注1. 端子の振れ規定は適用仕様書による。

APPLICABLE P.C.B. DIMENSION (REF.)
(CONNECTOR MOUNTING SIDE)

2	INSULATOR	1	GLASS FILLED PPS	COLOR: BLACK
1	CONTACT	N	PHOSPHOR BRONZE	TABLE 2
符号 NO.	名称 DESCRIPTION	個数 QTY.	材料 MATERIAL	仕上 FINISH
仕様書 (SPECIFICATION)	第1版 (ORIGINAL DATE)	尺 (SCALE) 5:1		
JACS-1385-*	4.Dec.2003	SILVER SERIES		
製図 DR.	M.TANAKA	名称 (TITLE) Reference Only		
担当 CHK.	T.SHIODA	JAPAN AVIATION ELECTRONICS INDUSTRY, LTD.		
査閲 APPD.	<i>H. Kawase</i>	WR-*P-VF50-N1		
承認 APPD.	<i>S. Kashinagi</i>	図面番号 (DRAWING NO.)		
重量 (WEIGHT)		SJ100359		

LEAD FREE この製品は鉛フリー品です

JAE CONNECTOR DIV. PROPRIETARY.
COPYRIGHT (C) 2003. JAPAN AVIATION ELECTRONICS INDUSTRY, LTD.

DOF-0-212E(03.08)

0 10 20 30 40 50 60 70 80 90 100

SIZE A3

版数 (REV.) 1

Looking for pricing, stock, or lifecycle information?

Click below to explore more details on WIN SOURCE:

- ⊖ [View WR-80P-VF50-N1-R1300 on WIN SOURCE](#)
- ⊖ [JAE Electronics Information](#)

Optimize Your Supply Chain with WIN SOURCE Solutions

- ✓ Global Sourcing Solution
- ✓ Obsolete Management
- ✓ Cost Control Management
- ✓ Shortage Management
- ✓ Alternative Solution
- ✓ Excess Inventory Management