

NEW



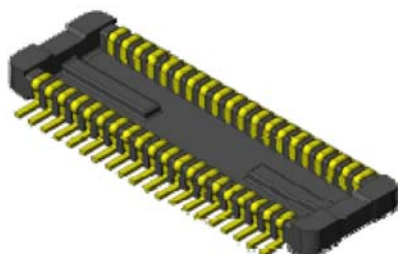
0.4mm Pitch Stacking Type Board to Board Connector CONNECTOR

WH1 Series

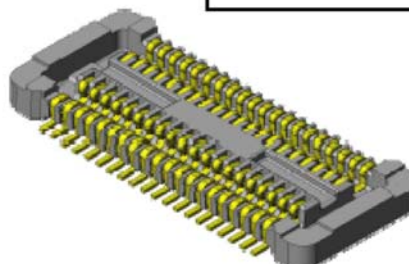
MB-0144-2

July 2006

RoHS Compliant



Plug



Receptacle

Outline

WH1 series connectors have, 0.4mm-pitch, 1.0 mm height board-to-board connection that is ideal for slim low-profiled information communication devices such as mobile phones, LCDs and PDAs, with high density mounting requirements.

Features

- 0.4mm pitch, double lines; 24, 40 pos. (30, 50 pos. planned to be developed), stacking height 1.0mm.
- Contact structure with high abrasion resistance and roll contacts with contact reliability.
- Separate 2-point contact design to resist twisting stress.
- Simple lock structure with assuring click response.
- Solder migration countermeasure for plug and receptacle. (nickel barrier for contact)
- Compatible to Pb-free

General Specifications

- | | |
|--|--|
| ■ No. of contacts : 20, 24 pos. | ■ Rated current: AC, DC 0.4A/per pos. |
| ■ Pitch: 0.4mm, 2 rows | ■ Rated voltage: AC, DC 50V |
| ■ Operating temperature:
-40 Deg. C to +85 Deg. C | ■ Insulation resistance: 100M ohm min. (initial) |
| ■ Contact resistance:
70m ohm max. (initial) | ■ Dielectric withstanding voltage:
AC250Vr.m.s per minute |
| ■ Lifetime: 50 times | ■ Total insertion force:
1N x n max.(n: pos.) |
| | ■ Total withdrawal force:
0.15Nx n min. (n: pos.) |

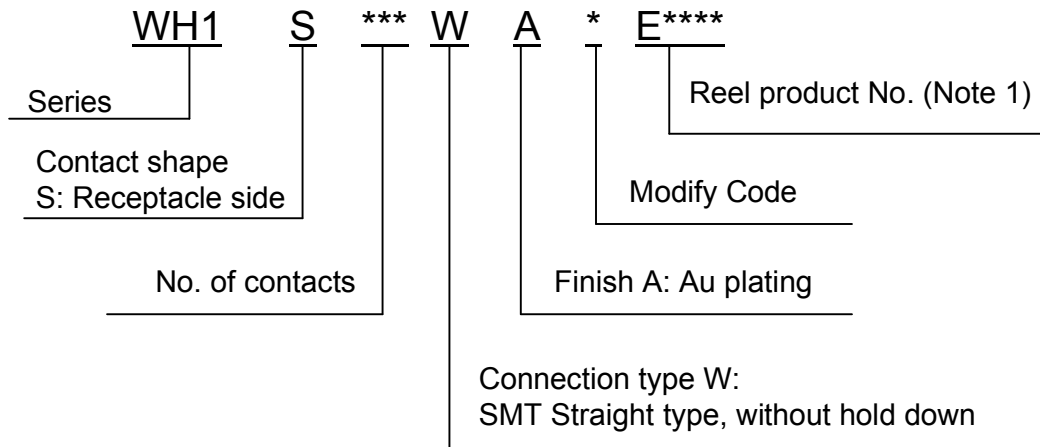
Materials and Finishes

Components	Materials/Finishes
Contact	Copper alloy/ Au plating(0.1um min.)
Insulator	Heat resistant plastic (UL94V-0, Color: Black)

Ordering Information



Ordering Information

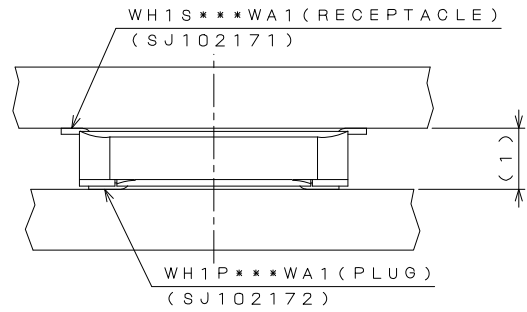
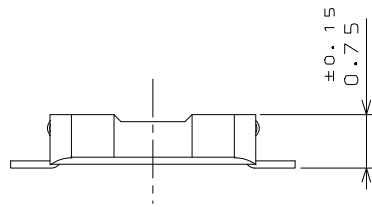


(Note 1) An embossed tape reel contains 6,000 pieces.

For information on emboss taping specifications, please contact us directly.

Part Number	WH1P***WA1
SJ Drawing	SJ102172

Unit: mm



MATED CONDITION (REF.)
嵌合状態図 (参考)

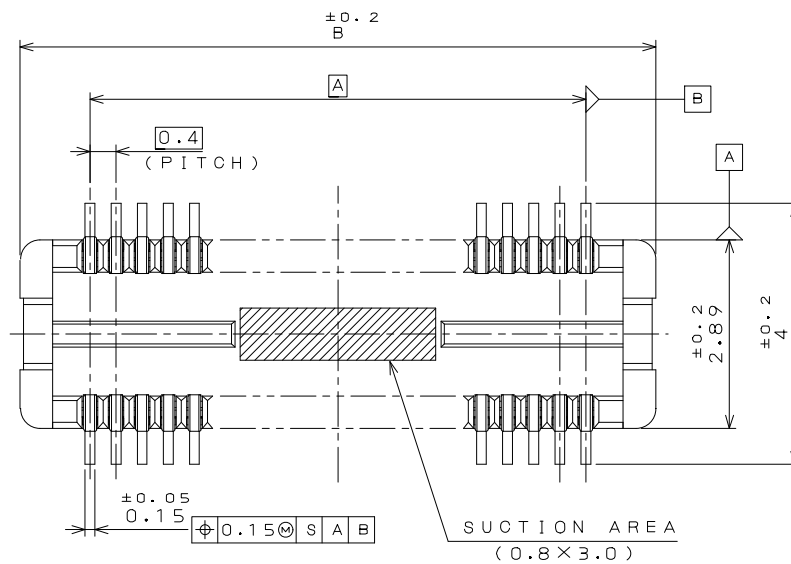
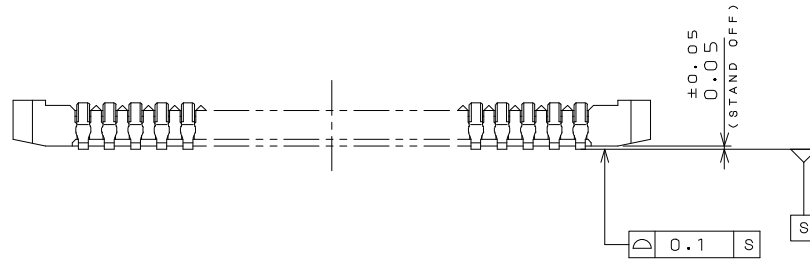


TABLE 1

名称 (TITLE)	A	B
WH1P024WA1	4.4	6.54
WH1P040WA1	7.6	9.74

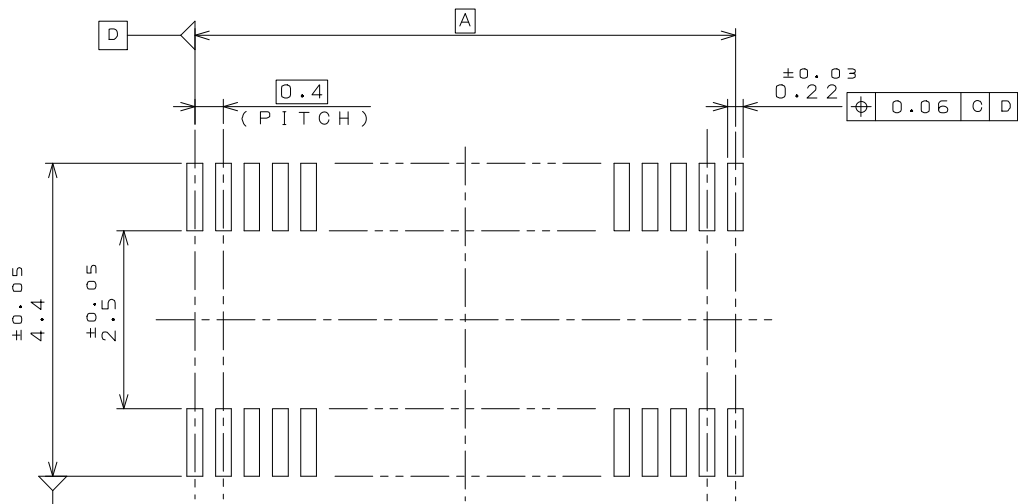
(Note 1) Coplanarity less than 0.1mm

(Note 2) An embossed tape reel contains 6,000 pieces.

For information on emboss taping specifications, please contact us directly.

Part Number	WH1P***WA1
SJ Drawing	SJ102172

Unit: mm

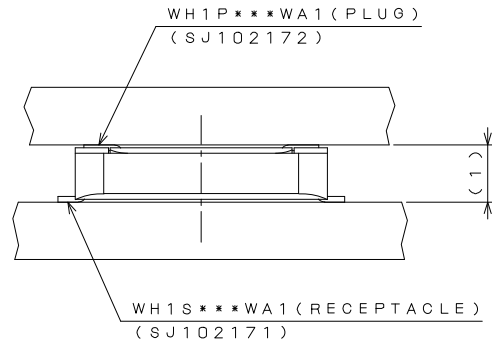
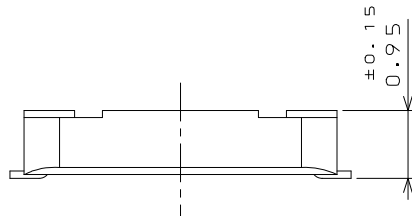


APPLICABLE P.C.B. DIMENSION (REF.)

適合基板寸法 (参考)

Part Number	WH1S***WA1
SJ Drawing	SJ102171

Unit: mm



MATED CONDITION (REF.)
嵌合状態図 (参考)

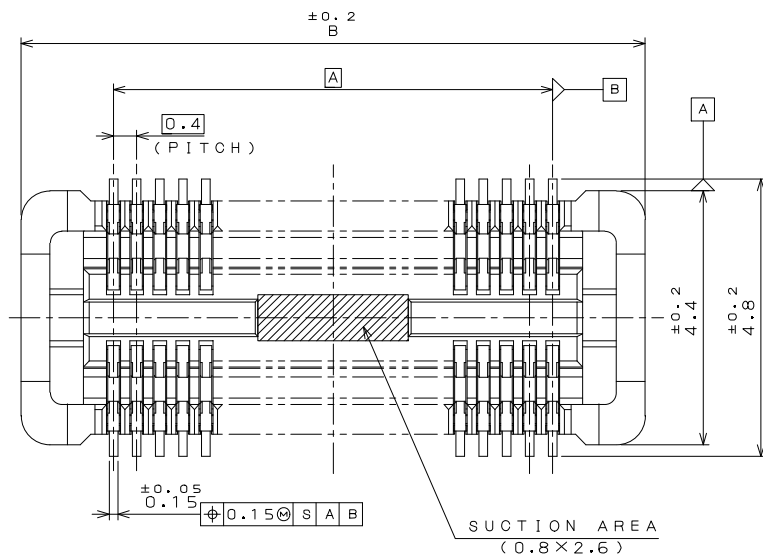
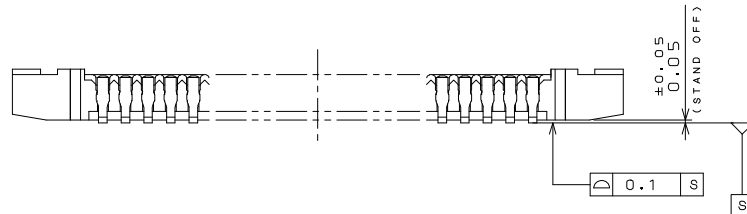


TABLE 1

名称 (TITLE)	A	B
WH1S024WA1	4.4	7.6
WH1S040WA1	7.6	10.8

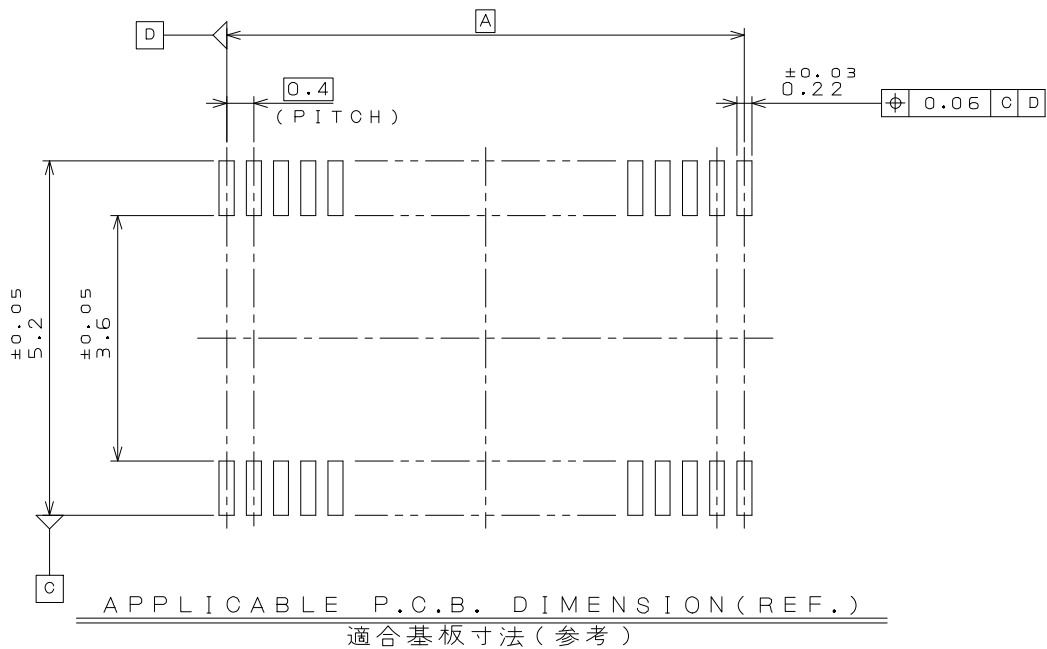
(Note 1) Coplanarity less than 0.1mm

(Note 2) An embossed tape reel contains 6,000 pieces.

For information on emboss taping specifications, please contact us directly.

Part Number	WH1S***WA1
SJ Drawing	SJ102171

Unit: mm



Japan Aviation Electronics Industry, Limited

Product Marketing Division
 Aobadai Building, 3-1-19, Aobadai, Meguro-ku, Tokyo 153-8539
 Phone: +81-3-3780-2787 FAX: +81-3-3780-2946

Notice: Products shown in this leaflet are made for the applications listed below. However, if the above-mentioned products are to be used in aerospace devices, marine cable-connection devices, atomic power control systems, medical equipment for life-support systems, or any other specific application requiring extremely high reliability, please contact JAE for further information.
 Recommended applications: computers, office machines, measuring devices, telecommunication devices (terminals, mobile devices), AV devices, household applications, FA devices, etc.

Looking for pricing, stock, or lifecycle information?

Click below to explore more details on WIN SOURCE:

 [View WH1S024WA1](#) on WIN SOURCE

 [JAE Electronics](#) Information

Optimize Your Supply Chain with WIN SOURCE Solutions

-  Global Sourcing Solution
-  Obsolete Management
-  Cost Control Management
-  Shortage Management
-  Alternative Solution
-  Excess Inventory Management