



**THE DATASHEET OF  
TLE-110-01-G-DV-K-TR**



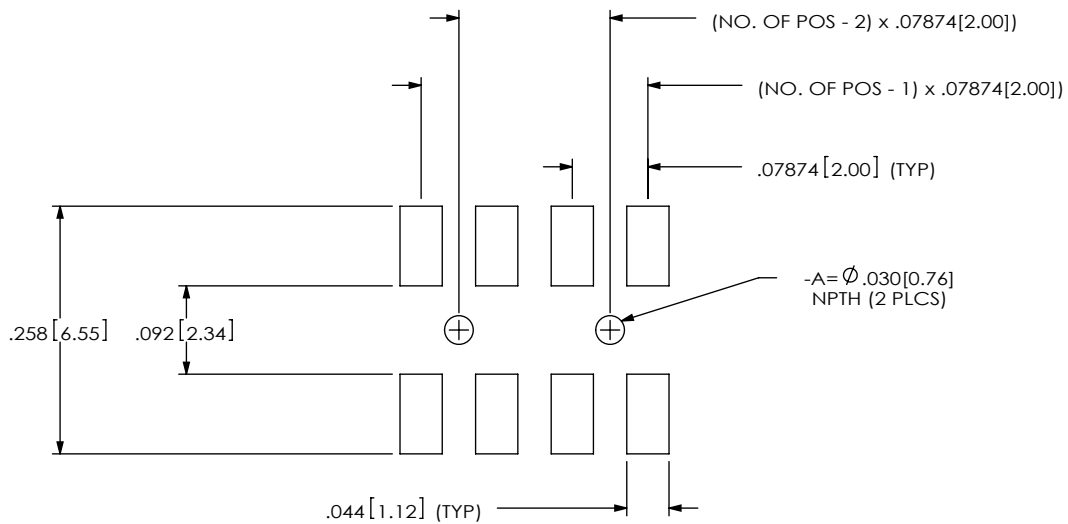


FIG 1  
 SURFACE MOUNT NON-PASS THRU ENTRY  
 (-104 POSITION SHOWN)  
 ALL DIMENSION ARE SYMMETRICAL ABOUT THE CENTERLINE

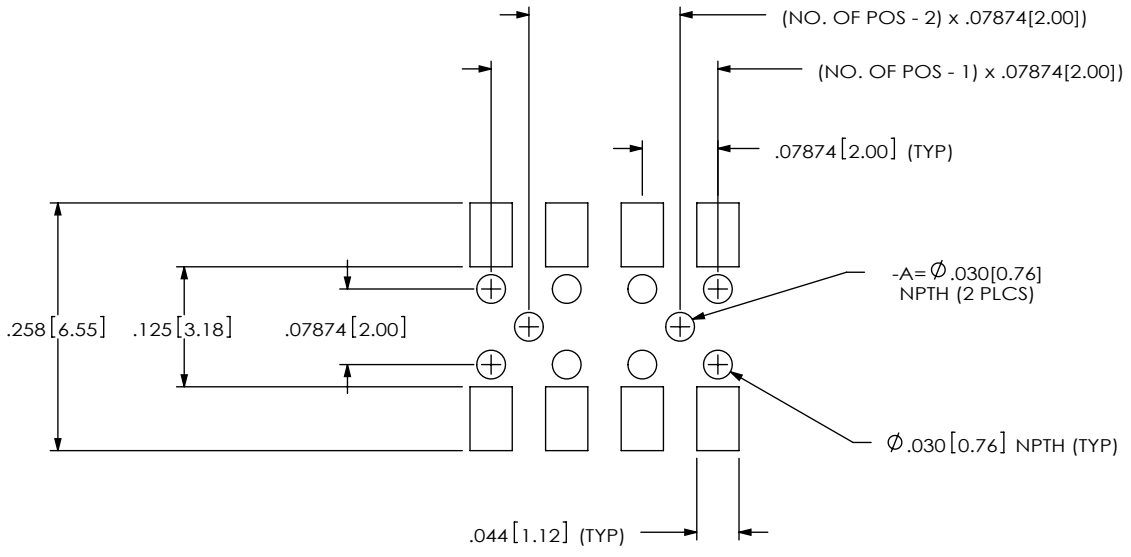


FIG 2  
 SURFACE MOUNT PASS THRU ENTRY  
 (-104 POSITION SHOWN)  
 ALL DIMENSION ARE SYMMETRICAL ABOUT THE CENTERLINE

**PROPRIETARY NOTE**  
 THIS DOCUMENT CONTAINS INFORMATION  
 CONFIDENTIAL AND PROPRIETARY TO  
 SAMTEC, INC. AND SHALL NOT BE REPRODUCED  
 OR TRANSFERRED TO OTHER DOCUMENTS OR  
 DISCLOSED TO OTHERS OR USED FOR ANY  
 PURPOSE OTHER THAN THAT WHICH IT WAS  
 OBTAINED WITHOUT THE EXPRESSED WRITTEN  
 CONSENT OF SAMTEC, INC.



520 PARK EAST BLVD, NEW ALBANY, IN 47150  
 PHONE: 812-944-6733 FAX: 812-948-5047  
 e-Mail info@SAMTEC.com code 55322

NOTE:  
STENCIL TO BE .006[0.15] THICK.

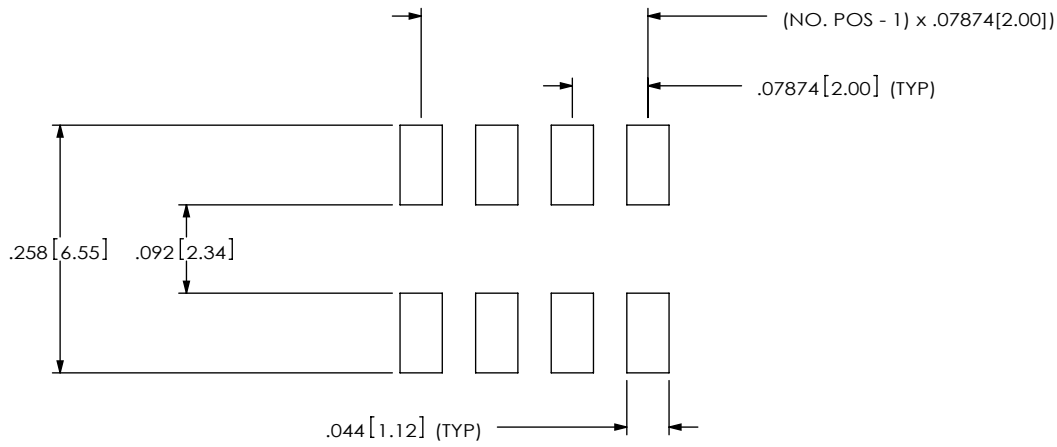


FIG 3  
SURFACE MOUNT NON-PASS THRU ENTRY  
(-104 POSITION SHOWN)  
ALL DIMENSION ARE SYMMETRICAL ABOUT THE CENTERLINE

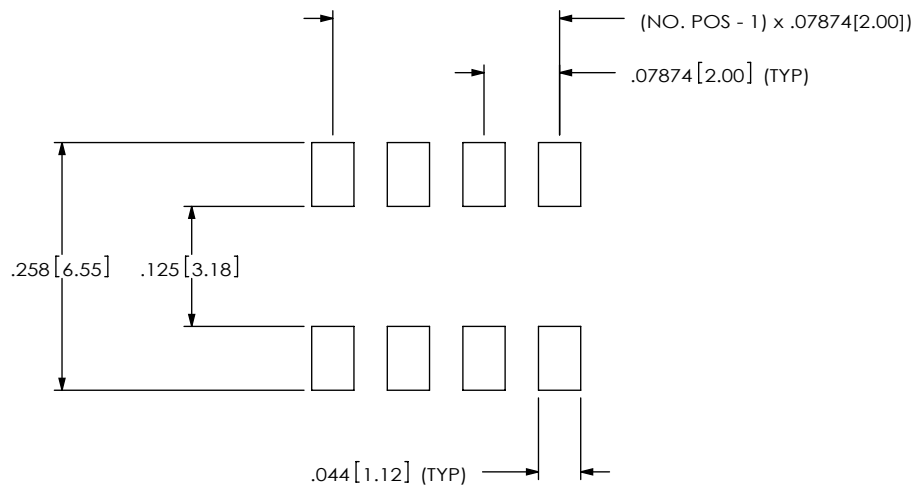


FIG 4  
SURFACE MOUNT PASS THRU ENTRY  
(-104 POSITION SHOWN)  
ALL DIMENSION ARE SYMMETRICAL ABOUT THE CENTERLINE

**PROPRIETARY NOTE**  
THIS DOCUMENT CONTAINS INFORMATION  
CONFIDENTIAL AND PROPRIETARY TO  
SAMTEC, INC. AND SHALL NOT BE REPRODUCED  
OR TRANSFERRED TO OTHER DOCUMENTS OR  
DISCLOSED TO OTHERS OR USED FOR ANY  
PURPOSE OTHER THAN THAT WHICH IT WAS  
OBTAINED WITHOUT THE EXPRESSED WRITTEN  
CONSENT OF SAMTEC, INC.



520 PARK EAST BLVD, NEW ALBANY, IN 47150  
PHONE: 812-944-6733 FAX: 812-948-5047  
e-Mail info@SAMTEC.com code 55322

## Looking for pricing, stock, or lifecycle information?

Click below to explore more details on WIN SOURCE:

 [View TLE-110-01-G-DV-K-TR on WIN SOURCE](#)

 [Samtec Inc. Information](#)

## Optimize Your Supply Chain with WIN SOURCE Solutions

-  Global Sourcing Solution
-  Obsolete Management
-  Cost Control Management
-  Shortage Management
-  Alternative Solution
-  Excess Inventory Management