



**THE DATASHEET OF
TLC27L1BCS-13**



Description

The TLC27L1 operational amplifier combines a wide range of input offset-voltage grades with low offset-voltage drift and high input impedance. The TLC27L1 is a low-bias version of the TLC271 programmable amplifier.

Three offset-voltage grades are available, ranging from the low-cost TLC27L1 (10mV) to the TLC27L1B (2mV) low-offset version. The devices are offered in both commercial and industrial operating temperature ranges.

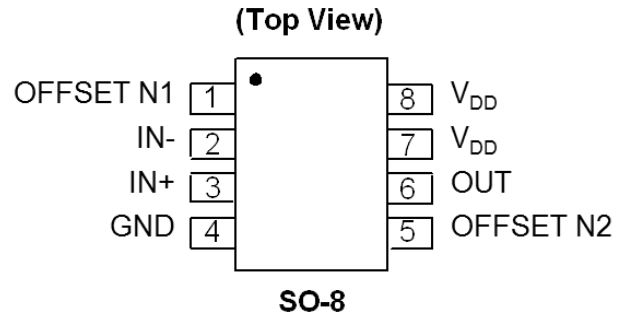
The extremely high input impedance and low bias currents, in conjunction with good common-mode rejection and supply voltage rejection, make these devices a good choice for new state-of-the-art designs as well as for upgrading existing designs.

The devices also exhibit low-voltage single-supply operation, with a common-mode input-voltage range including the negative rail.

Features

- Wide range of supply voltages over specified temperature range:
 - 0°C to +70°C . . . 3 V to 16 V
 - 40°C to +85°C . . . 4 V to 16 V
- Single-Supply Operation
- Common-Mode Input Voltage Range
Extends Below the Negative Rail
- Low Noise:
 - 68nV/√Hz typical @ f = 1kHz
- Output Voltage Range Includes Negative Rail
- High Input Impedance
- Designed-In Latch-Up Immunity
- **Totally Lead-Free & Fully RoHS Compliant (Notes 1 & 2)**
- **Halogen and Antimony Free. "Green" Device (Note 3)**

Pin Assignments



Applications

The TLC27L1 is the low power version of the TLC271. It offers low power for applications requiring long battery life. For applications that require more performance consider the TLC271.

The TLC27L1 is well suited to many consumer audio, industrial and other low power applications. Consider carefully the bandwidth and slew rate requirements for a specific application.

- Audio
 - Microphone Preamplifier
 - Filtering – Equalizers
 - Signal Amplification
- Industrial
 - Power Supply
 - Instrumentation
 - Metering
- Medical
 - Portable Meters and Measurement
 - Instrumentation

Notes: 1. No purposely added lead. Fully EU Directive 2002/95/EC (RoHS) & 2011/65/EU (RoHS 2) compliant.
 2. See http://www.diodes.com/quality/lead_free.html for more information about Diodes Incorporated's definitions of Halogen- and Antimony-free, "Green" and Lead-free.
 3. Halogen- and Antimony-free "Green" products are defined as those which contain <900ppm bromine, <900ppm chlorine (<1500ppm total Br + Cl) and <1000ppm antimony compounds.

Ordering Information

| Device | Package Code | Offset Voltage | Operating Temperature Range | Packaging (Note 4) | 13" Tape and Reel | |
|---------------|--------------|----------------|-----------------------------|--------------------|-------------------|--------------------|
| | | | | | Quantity | Part Number Suffix |
| TLC27L1CS-13 | S | 10mV | 0 to +70°C | SO-8 | 2500/Tape & Reel | -13 |
| TLC27L1ACS-13 | S | 5mV | 0 to +70°C | SO-8 | 2500/Tape & Reel | -13 |
| TLC27L1BCS-13 | S | 2mV | 0 to +70°C | SO-8 | 2500/Tape & Reel | -13 |
| TLC27L1IS-13 | S | 10mV | -40 to +85°C | SO-8 | 2500/Tape & Reel | -13 |
| TLC27L1AIS-13 | S | 5mV | -40 to +85°C | SO-8 | 2500/Tape & Reel | -13 |
| TLC27L1BIS-13 | S | 2mV | -40 to +85°C | SO-8 | 2500/Tape & Reel | -13 |

Note: 4. Pad layout as shown on Diodes Inc. suggested pad layout document AP02001, which can be found on our website at <http://www.diodes.com/datasheets/ap02001.pdf>.

Pin Descriptions

| Pin Name | Pin Number | Description |
|-----------------|------------|------------------------------------|
| OFFSET N1 | 1 | Offset Control Inverting Input |
| IN- | 2 | Inverting Input |
| IN+ | 3 | Non-Inverting Input |
| GND | 4 | Ground |
| OFFSET N2 | 5 | Offset Control Non-Inverting Input |
| OUT | 6 | Output |
| V _{DD} | 7 | Supply |
| V _{DD} | 8 | Supply |

Absolute Maximum Ratings (Notes 5, 6, 7, 8, 9)

| Symbol | Parameter | Rating | Unit |
|----------|--|------------------|--------------------|
| V_{DD} | Supply Voltage: (Note 6) | 18 | V |
| V_{ID} | Differential Input Voltage (Note 7) | $\pm V_{DD}$ | V |
| V_{IN} | Input Voltage Range (either input) | -0.3 to V_{DD} | V |
| I_{IN} | Input Current | ± 5 | mA |
| I_O | Output current | ± 30 | mA |
| | Output Short-Circuit to GND (Note 8) | Continuous | — |
| P_D | Power Dissipation (Note 9) | 1065 | mW |
| T_A | Operating Temperature Range | C Grade | 0 to +70 |
| | | I Grade | -40 to +85 |
| T_J | Operating Junction Temperature | 150 | $^{\circ}\text{C}$ |
| T_{ST} | Storage Temperature Range | -65 to +150 | $^{\circ}\text{C}$ |
| ESD HBM | Human Body Model ESD Protection (1.5k Ω in series with 100pF) | 1.5 | kV |

- Notes:
- Stresses beyond those listed under absolute maximum ratings may cause permanent damage to the device. These are stress ratings only; functional operation of the device at these or any other conditions beyond those indicated under recommended operating conditions is not implied. Exposure to absolute-maximum-rated conditions for extended periods may affect device reliability.
 - All voltage values, except differential voltages, are with respect to ground.
 - Differential input voltages are at IN+ with respect to IN-.
 - The output may be shorted to either supply. Temperature and/or supply voltages must be limited to ensure that the maximum dissipation rating is not exceeded.
 - For operating at high temperatures, the TLC27L1 must be derated 8.5mW/ $^{\circ}\text{C}$ to zero based on a +150 $^{\circ}\text{C}$ maximum junction temperature and a thermal resistance of +117 $^{\circ}\text{C}/\text{W}$ when the device is soldered to a printed circuit board, operating in a still air ambient.

Recommended Operating Conditions

| Symbol | Parameter | C grade | | I grade | | Unit | |
|----------|--------------------------------|-----------------------|------|---------|------|--------------------|---|
| | | Min | Max | Min | Max | | |
| V_{DD} | Supply Voltage | 3 | 16 | 4 | 16 | V | |
| V_{IC} | Common Mode Input Voltage | $V_{DD} = 5\text{V}$ | -0.2 | 3.5 | -0.2 | 3.5 | V |
| | | $V_{DD} = 10\text{V}$ | -0.2 | 8.5 | -0.2 | 8.5 | |
| T_A | Operating Free Air Temperature | 0 | +70 | -40 | +85 | $^{\circ}\text{C}$ | |

Electrical Characteristics

| Parameter | | Conditions | T _A | TLC27L1C, TLC27L1AC, TLC27L1BC | | | | | | Unit | |
|------------------|---|--|---|--------------------------------|-------------|------|-----------------------|-------------|------|-------|----|
| | | | | V _{DD} = 5V | | | V _{DD} = 10V | | | | |
| | | | | Min | Typ | Max | Min | Typ. | Max | | |
| V _{IO} | Input Offset Voltage | TLC27L1C TLC27L1AC TLC27L1BC | V _O = 1.4V V _{IC} = 0V R _S = 50Ω R _L = 1MΩ | +25°C | — | 1.1 | 10 | — | 1.1 | 10 | mV |
| | | | | 0 to +70°C | — | — | 12 | — | — | 12 | |
| | | | | +25°C | — | 0.9 | 5 | — | 0.9 | 5 | |
| | | | | 0 to +70°C | — | — | 6.5 | — | — | 6.5 | |
| | | | | +25°C | — | 0.24 | 2 | — | 0.26 | 2 | |
| | | | | 0 to +70°C | — | — | 3 | — | — | 3 | |
| α _{VIO} | Average Temperature Coefficient of Input Offset Voltage | — | +25 to +70°C | 1.1 | | | 1 | | | μV/°C | |
| I _{IO} | Input Offset Current (Note 10) | V _O = V _{DD} /2, V _{IC} = V _{DD} /2 | +25°C | — | 0.1 | 60 | — | 0.1 | 60 | pA | |
| | | | +70°C | — | 7 | 300 | — | 8 | 300 | | |
| I _{IB} | Input Bias Current (Note 10) | V _O = V _{DD} /2, V _{IC} = V _{DD} /2 | +25°C | — | 0.6 | 60 | — | 0.7 | 60 | pA | |
| | | | +70°C | — | 40 | 600 | — | 50 | 600 | | |
| V _{ICR} | Common Mode Input Voltage (Note 11) | — | +25°C | -0.2 to 4 | -0.3 to 4.2 | — | -0.2 to 9 | -0.3 to 9.2 | — | V | |
| | | | 0°C to +70°C | -0.2 to 3.5 | — | — | -0.2 to 8.5 | — | — | V | |
| V _{OH} | High Level Output Voltage | V _{ID} = 100mV, R _L = 1MΩ | +25°C | 3.2 | 4.1 | — | 8 | 8.9 | — | V | |
| | | | 0°C | 3 | 4.1 | — | 7.8 | 8.9 | — | | |
| | | | +70°C | 3 | 4.2 | — | 7.8 | 8.9 | — | | |
| V _{OL} | Low Level Output Voltage | V _{ID} = -100mV, I _{OL} = 0 | +25°C | — | 0 | 50 | — | 0 | 50 | mV | |
| | | | 0°C | — | 0 | 50 | — | 0 | 50 | | |
| | | | +70°C | — | 0 | 50 | — | 0 | 50 | | |
| A _{VD} | Large Signal Differential Voltage Gain | R _L = 1MΩ (Note 12) | +25°C | 50 | 520 | — | 50 | 870 | — | V/mV | |
| | | | 0°C | 50 | 700 | — | 50 | 1030 | — | | |
| | | | +70°C | 50 | 380 | — | 50 | 660 | — | | |
| CMRR | Common Mode Rejection Ratio | V _{IC} = V _{ICRmin} | +25°C | 65 | 94 | — | 65 | 97 | — | dB | |
| | | | 0°C | 60 | 95 | — | 60 | 97 | — | | |
| | | | +70°C | 60 | 95 | — | 60 | 97 | — | | |
| k _{SVR} | Supply Voltage Rejection Ratio (ΔV _{DD} /ΔV _{IO}) | V _{DD} = 5V to 10V V _O = 1.4V | +25°C | 70 | 97 | — | 70 | 97 | — | dB | |
| | | | 0°C | 60 | 97 | — | 60 | 97 | — | | |
| | | | +70°C | 60 | 98 | — | 60 | 98 | — | | |
| I _{DD} | Supply Current | V _O = V _{DD} /2, V _{IC} = V _{DD} /2, No Load | +25°C | — | 10 | 17 | — | 14 | 23 | μA | |
| | | | 0°C | — | 12 | 21 | — | 18 | 33 | | |
| | | | +70°C | — | 8 | 14 | — | 11 | 20 | | |

- Notes:
10. The typical values of input bias current and input offset current below 5pA were calculated.
 11. This range also applies to each input individually.
 12. At V_{DD} = 5V, V_O = 0.25V to 2V; at V_{DD} = 10V, V_O = 1V to 6V.

Electrical Characteristics

| Parameter | | | Conditions | T _A | TLC27L1I, TLC27L1AI, TLC27L1BI | | | | | | Unit |
|------------------|--|-----------|---|----------------|--------------------------------|-------------|------|-----------------------|-------------|------|-------|
| | | | | | V _{DD} = 5V | | | V _{DD} = 10V | | | |
| | | | | | Min | Typ | Max | Min | Typ. | Max | |
| V _{IO} | Input Offset Voltage | TLC27L1I | V _O = 1.4V V _{IC} = 0V R _S = 50Ω R _L = 1MΩ | +25°C | — | 1.1 | 10 | — | 1.1 | 10 | mV |
| | | | | -40° to 85°C | — | — | 13 | — | — | 13 | |
| | | TLC27L1AI | | +25°C | — | 0.9 | 5 | — | 0.9 | 5 | |
| | | | | -40° to +85°C | — | — | 7 | — | — | 7 | |
| | | TLC27L1BI | | +25°C | — | 0.24 | 2 | — | 0.26 | 2 | |
| | | | | -40° to +85°C | — | — | 3.5 | — | — | 3.5 | |
| α _{VIO} | Average Temperature Coefficient of Input Offset Voltage | — | — | +25°C to +85°C | 1.1 | | | 1 | | | μV/°C |
| I _{IO} | Input Offset Current (Note 13) | — | V _O = V _{DD} /2 V _{IC} = V _{DD} /2 | +25°C | — | 0.1 | 60 | — | 0.1 | 60 | pA |
| | | | | +85°C | — | 24 | 1000 | — | 26 | 1000 | |
| I _{IB} | Input Bias Current (Note 13) | — | V _O = V _{DD} /2 V _{IC} = V _{DD} /2 | +25°C | — | 0.6 | 60 | — | 0.7 | 60 | pA |
| | | | | +85°C | — | 200 | 2000 | — | 220 | 2000 | |
| V _{ICR} | Common Mode Input Voltage (Note 14) | — | — | +25°C | -0.2 to 4 | -0.3 to 4.2 | — | -0.2 to 9 | -0.3 to 9.2 | — | V |
| | | | | | -40° to +85°C | -0.2 to 3.5 | — | — | -0.2 to 8.5 | — | — |
| V _{OH} | High Level Output Voltage | — | V _{ID} = 100mV, R _L = 1MΩ | +25°C | 3 | 4.1 | — | 8 | 8.9 | — | V |
| | | | | -40°C | 3 | 4.1 | — | 7.8 | 8.9 | — | |
| | | | | +85°C | 3 | 4.2 | — | 7.8 | 8.9 | — | |
| V _{OL} | Low Level Output Voltage | — | V _{ID} = -100mV, I _{OL} = 0 | +25°C | — | 0 | 50 | — | 0 | 50 | mV |
| | | | | -40°C | — | 0 | 50 | — | 0 | 50 | |
| | | | | +85°C | — | 0 | 50 | — | 0 | 50 | |
| A _{VD} | Large Signal Differential Voltage Gain | — | R _L = 1MΩ (Note 15) | +25°C | 50 | 520 | — | 50 | 870 | — | V/mV |
| | | | | -40°C | 50 | 900 | — | 50 | 1550 | — | |
| | | | | +85°C | 50 | 330 | — | 50 | 585 | — | |
| CMRR | Common Mode Rejection Ratio | — | V _{IC} = V _{ICRmin} | +25°C | 65 | 94 | — | 65 | 97 | — | dB |
| | | | | -40°C | 60 | 95 | — | 60 | 97 | — | |
| | | | | +85°C | 60 | 95 | — | 60 | 98 | — | |
| k _{SVR} | Supply Voltage Rejection Ratio (ΔV _{DD} /ΔV _{IO}) | — | V _{DD} = 5V to 10V V _O = 1.4V | +25°C | 70 | 97 | — | 70 | 97 | — | dB |
| | | | | -40°C | 60 | 97 | — | 60 | 97 | — | |
| | | | | +85°C | 60 | 98 | — | 60 | 98 | — | |
| I _{DD} | Supply Current | — | V _O = V _{DD} /2 V _{IC} = V _{DD} /2 No load | +25°C | — | 10 | 17 | — | 14 | 23 | μA |
| | | | | -40°C | — | 16 | 27 | — | 25 | 43 | |
| | | | | +85°C | — | 17 | 13 | — | 10 | 18 | |

Notes: 13. The typical values of input bias current and input offset current below 5pA were calculated.

14. This range also applies to each input individually.

15. At V_{DD} = 5V, V_O = 0.25V to 2V; at V_{DD} = 10V, V_O = 1V to 6V.

Electrical Characteristics

| V_{DD} = 5V | | | | | | | | |
|-----------------------------|--------------------------------|---|-------------------------|----------------|-----------------------------------|------|-----|--------|
| Parameter | | Conditions | | T _A | TLC27L1C, TLC27L1AC, TLC27L1BC | | | Unit |
| | | | | | Min | Typ | Max | |
| SR | Slew Rate at Unity Gain | R _L = 1MΩ C _L = 20pF See Figure 31 | V _{I(PP)} = 1V | +25°C | — | 0.03 | — | V/μs |
| | | | | 0°C | — | 0.04 | — | |
| | | | | +70°C | — | 0.03 | — | |
| | | V _{I(PP)} = 2.5V | +25°C | — | 0.03 | — | | |
| | | | 0°C | — | 0.03 | — | | |
| | | | +70°C | — | 0.02 | — | | |
| V _n | Equivalent Input Noise Voltage | F = 1kHz, R _S = 20Ω See Figure 32 | | +25°C | — | 68 | — | nV/√Hz |
| B _{OM} | Maximum Output Swing Bandwidth | V _O = V _{OH} , C _L = 20pF, R _L = 1MΩ See Figure 31 | | +25°C | — | 5 | — | kHz |
| | | | | 0°C | — | 6 | — | |
| | | | | +70°C | — | 4.5 | — | |
| B ₁ | Unity Gain Bandwidth | V _I = 10mV, C _L = 20pF See Figure 33 | | +25°C | — | 85 | — | MHz |
| | | | | 0°C | — | 100 | — | |
| | | | | +70°C | — | 65 | — | |
| φ _m | Phase Margin | F = B ₁ , V _I = 10mV, C _L = 20pF See Figure 33 | | +25°C | — | 34° | — | — |
| | | | | 0°C | — | 36° | — | |
| | | | | +70°C | — | 30° | — | |
| V_{DD} = 10V | | | | | | | | |
| Parameter | | Conditions | | T _A | TLC27L1C, TLC27L1AC, TLC27L1BC | | | Unit |
| | | | | | Min | Typ | Max | |
| SR | Slew Rate at Unity Gain | R _L = 1MΩ, C _L = 20pF See Figure 31 | V _{I(PP)} = 1V | +25°C | — | 0.05 | — | V/μs |
| | | | | 0°C | — | 0.05 | — | |
| | | | | +70°C | — | 0.04 | — | |
| | | V _{I(PP)} = 5.5V | +25°C | — | 0.04 | — | | |
| | | | 0°C | — | 0.05 | — | | |
| | | | +70°C | — | 0.04 | — | | |
| V _n | Equivalent Input Noise Voltage | F = 1kHz, R _S = 20Ω See Figure 32 | | +25°C | — | 68 | — | nV/√Hz |
| B _{OM} | Maximum Output Swing Bandwidth | V _O = V _{OH} , C _L = 20pF, R _L = 1MΩ See Figure 31 | | +25°C | — | 1 | — | kHz |
| | | | | 0°C | — | 1.3 | — | |
| | | | | +70°C | — | 0.9 | — | |
| B ₁ | Unity Gain Bandwidth | V _I = 10mV, C _L = 20pF See Figure 33 | | +25°C | — | 110 | — | MHz |
| | | | | 0°C | — | 125 | — | |
| | | | | +70°C | — | 90 | — | |
| φ _m | Phase Margin | F = B ₁ , V _I = 10mV, C _L = 20pF See Figure 33 | | +25°C | — | 38° | — | — |
| | | | | 0°C | — | 40° | — | |
| | | | | +70°C | — | 34° | — | |

Electrical Characteristics

| V_{DD} = 5V | | | | | | | | |
|-----------------------------|--------------------------------|---|-------------------------|----------------|-----------------------------------|------|-----|--------|
| Parameter | | Conditions | | T _A | TLC27L1I, TLC27L1AI, TLC27L1BI | | | Unit |
| | | | | | Min | Typ | Max | |
| SR | Slew Rate at Unity Gain | R _L = 1MΩ C _L = 20pF See Figure 31 | V _{I(PP)} = 1V | +25°C | — | 0.03 | — | V/μs |
| | | | | -40° | — | 0.04 | — | |
| | | | | +85°C | — | 0.03 | — | |
| | | V _{I(PP)} = 2.5V | +25°C | — | 0.03 | — | | |
| | | | -40° | — | 0.04 | — | | |
| | | | +85°C | — | 0.02 | — | | |
| V _n | Equivalent Input Noise Voltage | F = 1kHz, R _S = 20Ω See Figure 32 | | +25°C | — | 68 | — | nV/√Hz |
| B _{OM} | Maximum Output Swing Bandwidth | V _O = V _{OH} , C _L = 20pF, R _L = 1MΩ See Figure 31 | | +25°C | — | 5 | — | kHz |
| | | | | -40° | — | 7 | — | |
| | | | | +85°C | — | 4 | — | |
| B ₁ | Unity Gain Bandwidth | V _I = 10mV, C _L = 20pF See Figure 33 | | +25°C | — | 85 | — | MHz |
| | | | | -40° | — | 130 | — | |
| | | | | +85°C | — | 55 | — | |
| φ _m | Phase Margin | F = B ₁ , V _I = 10mV, C _L = 20pF See Figure 33 | | +25°C | — | 34° | — | — |
| | | | | -40° | — | 38° | — | |
| | | | | +85°C | — | 28° | — | |
| V_{DD} = 10V | | | | | | | | |
| Parameter | | Conditions | | T _A | TLC27L1I, TLC27L1AI, TLC27L1BI | | | Unit |
| | | | | | Min | Typ | Max | |
| SR | Slew Rate at Unity Gain | R _L = 1MΩ C _L = 20pF See Figure 31 | V _{I(PP)} = 1V | +25°C | — | 0.05 | — | V/μs |
| | | | | -40° | — | 0.06 | — | |
| | | | | +85°C | — | 0.03 | — | |
| | | V _{I(PP)} = 5.5V | +25°C | — | 0.04 | — | | |
| | | | -40° | — | 0.05 | — | | |
| | | | +85°C | — | 0.03 | — | | |
| V _n | Equivalent Input Noise Voltage | F = 1kHz, R _S = 20Ω See Figure 32 | | +25°C | — | 68 | — | nV/√Hz |
| B _{OM} | Maximum Output Swing Bandwidth | V _O = V _{OH} , C _L = 20pF, R _L = 1MΩ See Figure 31 | | +25°C | — | 1 | — | kHz |
| | | | | -40° | — | 1.4 | — | |
| | | | | +85°C | — | 0.8 | — | |
| B ₁ | Unity Gain Bandwidth | V _I = 10mV, C _L = 20pF See Figure 33 | | +25°C | — | 110 | — | MHz |
| | | | | -40° | — | 155 | — | |
| | | | | +85°C | — | 80 | — | |
| φ _m | Phase Margin | F = B ₁ , V _I = 10mV, C _L = 20pF See Figure 33 | | +25°C | — | 38° | — | — |
| | | | | -40° | — | 42° | — | |
| | | | | +85°C | — | 32° | — | |

Typical Performance Characteristics Table Index of Graphs

| | | | Figure |
|----------------|--|--------------------------------|--------|
| V_{IO} | Input Offset Voltage | Distribution | 1,2 |
| V_{OH} | High Level Output Voltage | vs. High Level Output Current | 3,4 |
| | | vs. Supply Voltage | 5 |
| | | vs. Free Air Temperature | 6 |
| V_{OL} | Low Level Output Voltage | vs. Common Mode Input Voltage | 7,8 |
| | | vs. Differential Input Voltage | 9 |
| | | vs. Free Air Temperature | 10 |
| | | vs. Low Level Output Current | 11,12 |
| A_{VD} | Large Signal Differential Voltage Gain | vs. Supply Voltage | 13 |
| | | vs. Free Air Temperature | 14 |
| I_{IB} | Input Bias Current | vs. Free Air Temperature | 15 |
| I_{IO} | Input Offset Current | vs. Free Air Temperature | 15 |
| V_{IC} | Common Mode Input Voltage | vs. Supply Voltage | 16 |
| I_{DD} | Supply Current | vs. Supply Voltage | 17 |
| | | vs. Free Air Temperature | 18 |
| SR | Slew Rate | vs. Supply Voltage | 19 |
| | | vs. Free Air Temperature | 20 |
| I_{SEL} | Bias Select Current | vs. Supply Voltage | 21 |
| $V_{O(OPP)}$ | Maximum Peak to Peak Output Voltage | vs. Frequency | 22 |
| B_1 | Unity Gain Bandwidth | vs. Free Air Temperature | 23 |
| | | vs. Supply Voltage | 24 |
| A_{VD} | Large Signal Differential Voltage Gain | vs. Frequency | 29,30 |
| ϕ_m | Phase Margin | vs. Supply Voltage | 25 |
| | | vs. Free Air Temperature | 26 |
| | | vs. Capacitive Load | 27 |
| V_n | Equivalent Input Noise Voltage | vs. Frequency | 28 |
| ϕ_{shift} | Phase Shift | vs. Frequency | 29,30 |

Typical Performance Characteristics

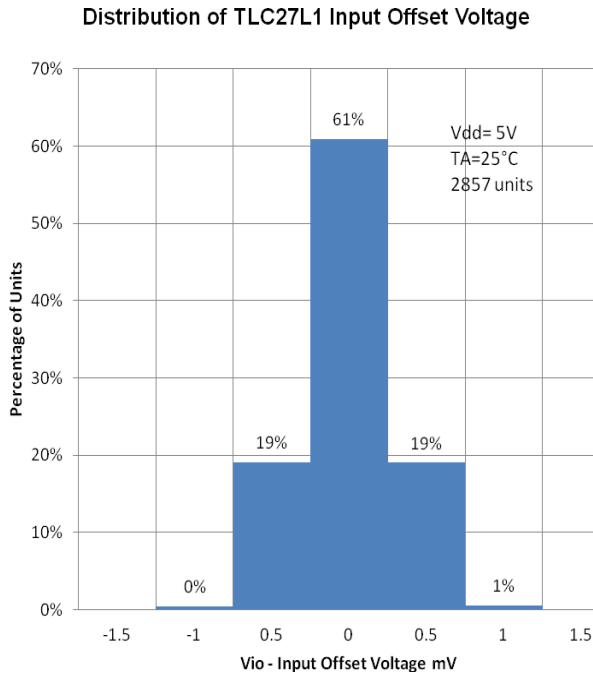


Figure 1

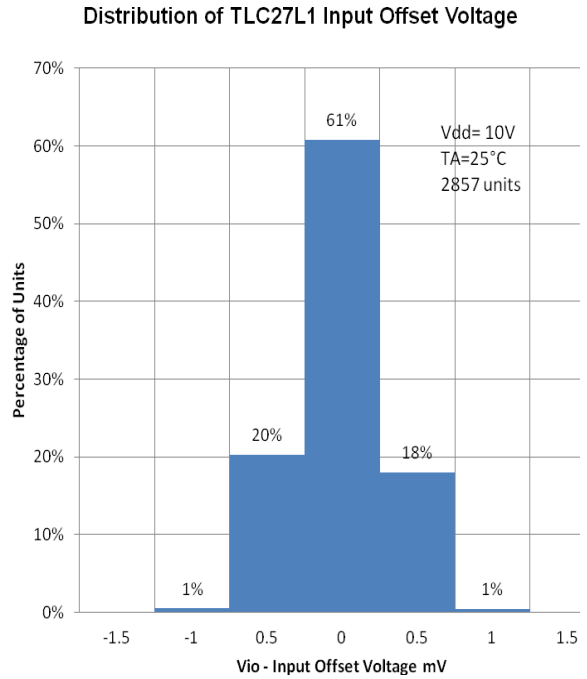


Figure 2

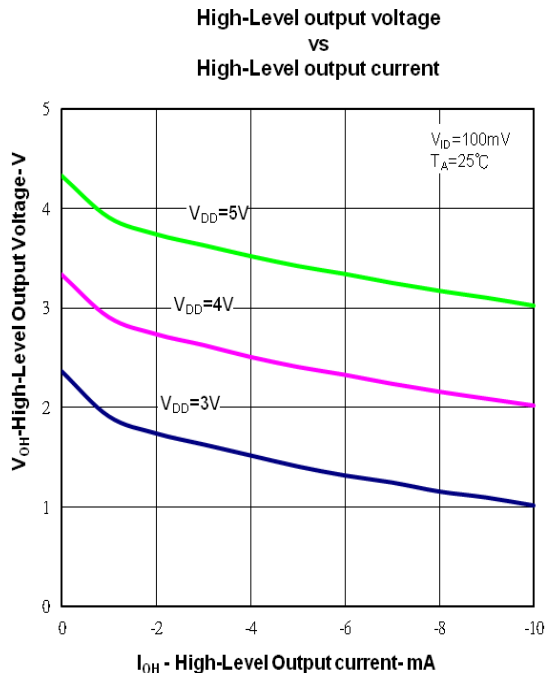


Figure 3

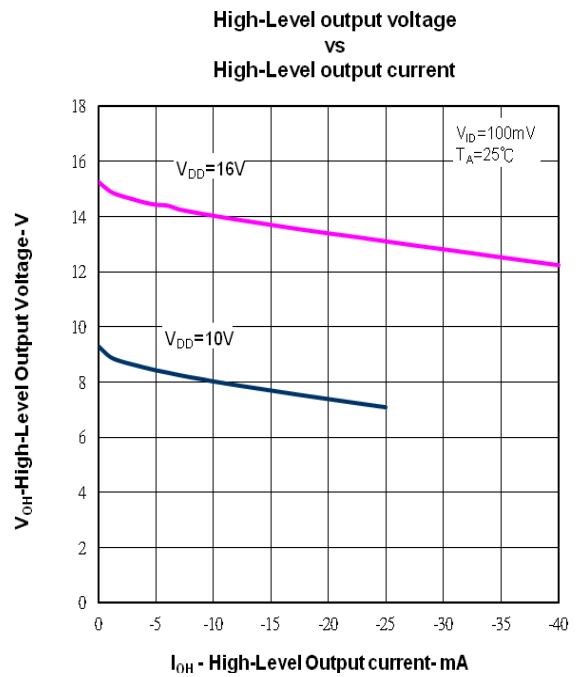


Figure 4

Typical Performance Characteristics

High-Level output voltage
vs
Supply Voltage

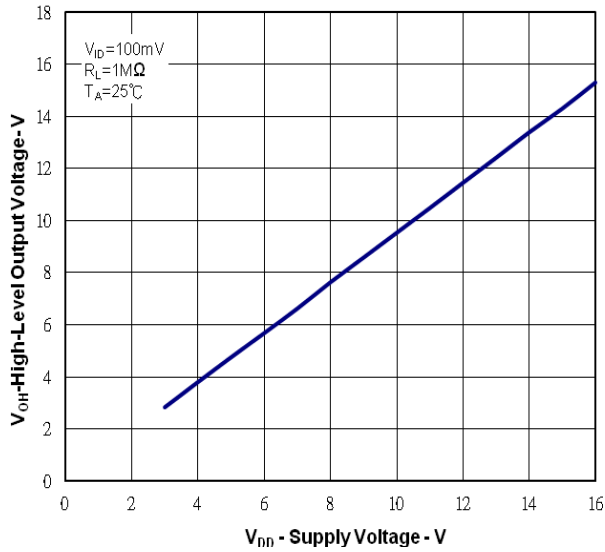


Figure 5

High-Level output voltage
vs
Free Air Temperature

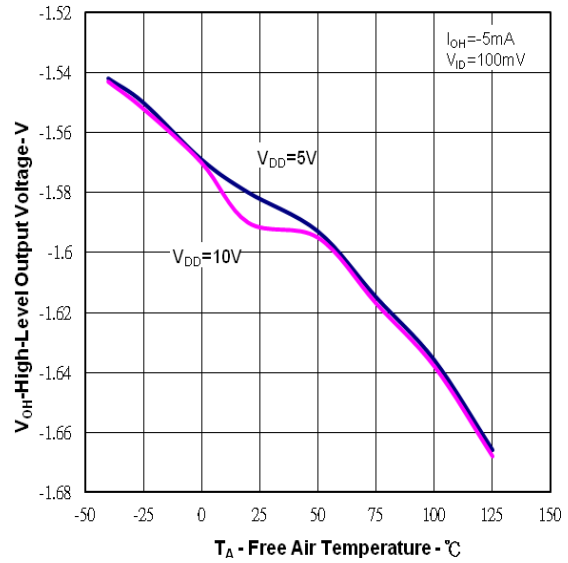


Figure 6

Low-level output voltage
vs
common-mode input voltage

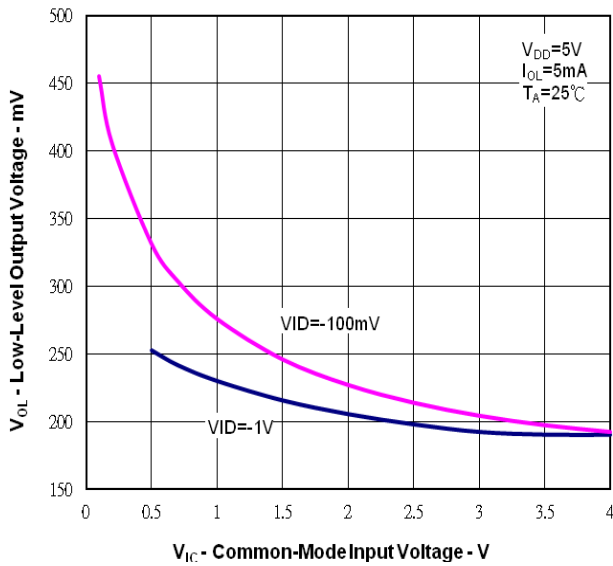


Figure 7

Low-level output voltage
vs
common-mode input voltage

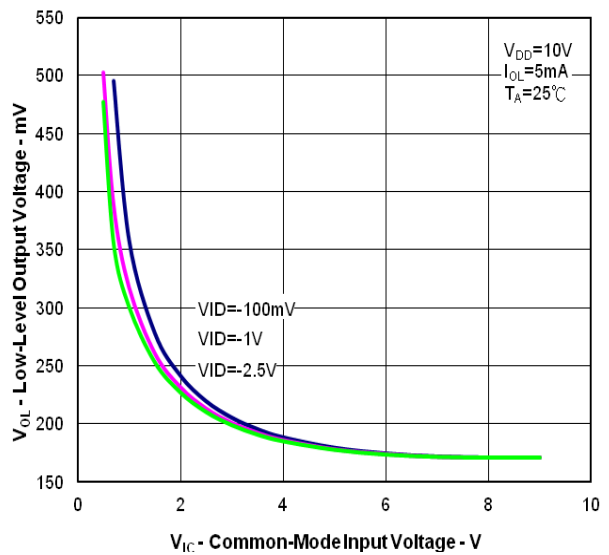


Figure 8

Typical Performance Characteristics

Low-level output voltage
vs
Differential input voltage

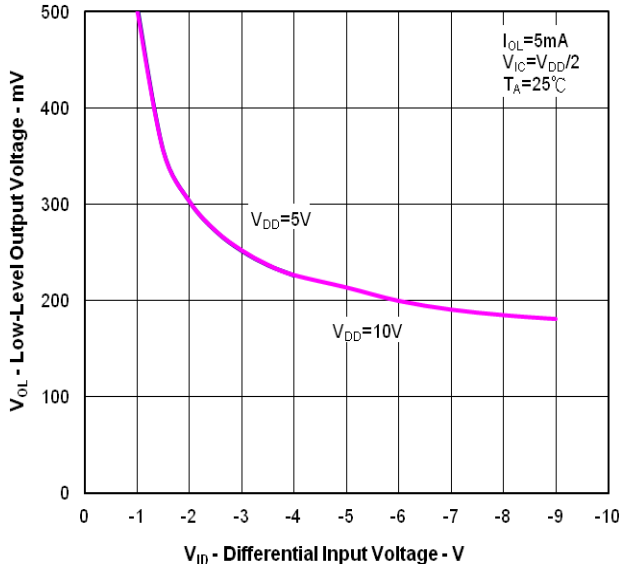


Figure 9

Low-level output voltage
vs
Differential input voltage

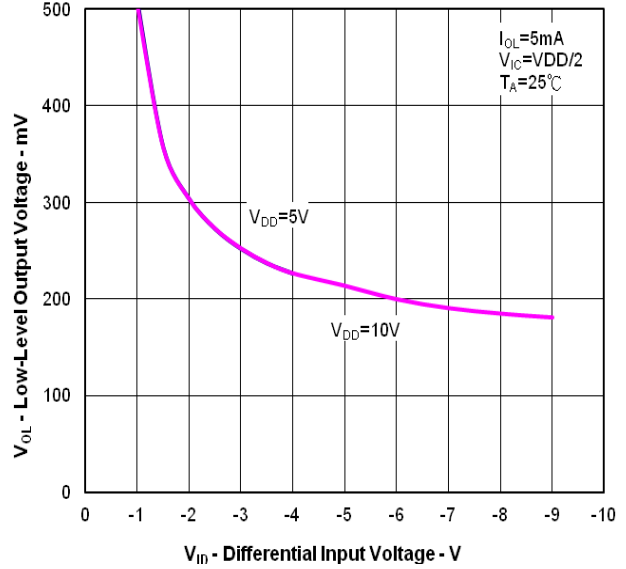


Figure 10

Low-level output voltage
vs
Low-level output current

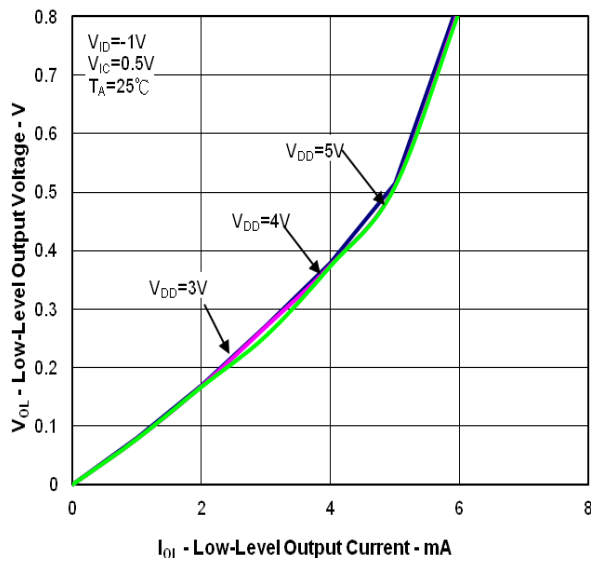


Figure 11

Low-level output voltage
vs
Low-level output current

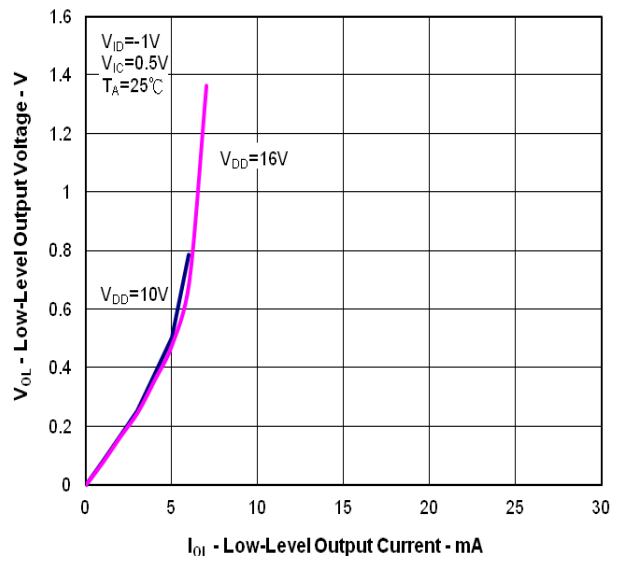


Figure 12

Typical Performance Characteristics

Large-Signal Differential Voltage Amplification
vs
Supply Voltage

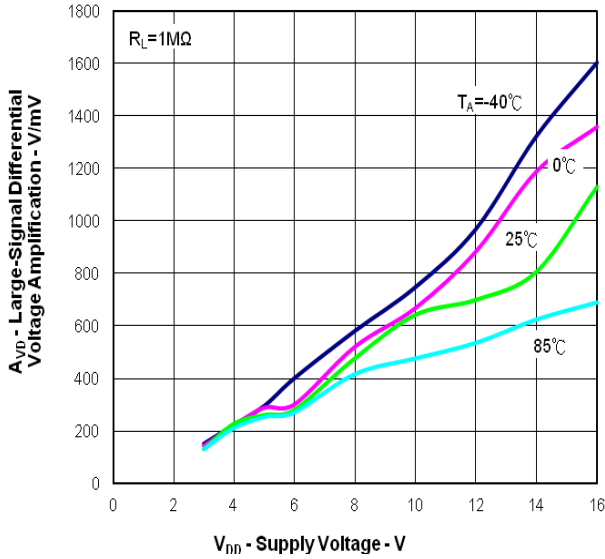


Figure 13

Large-Signal Differential Voltage Amplification
vs
Free-Air Temperature

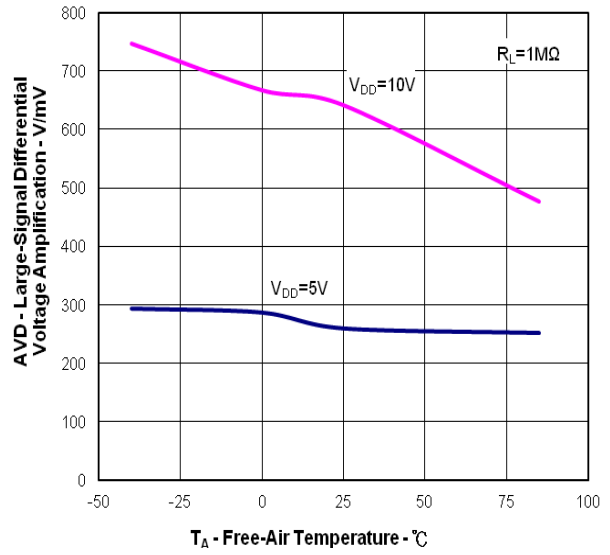


Figure 14

Input Bias Current and Input Offset Current
vs
Free-Air Temperature

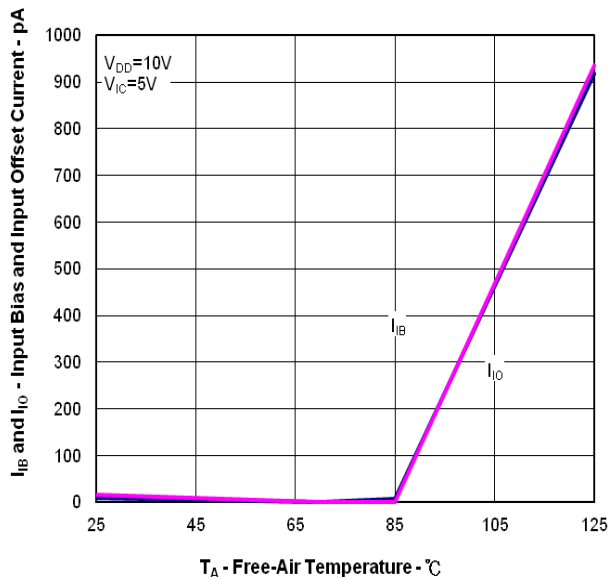


Figure 15

Common-mode input voltage
(positive limit)
vs
Supply Voltage

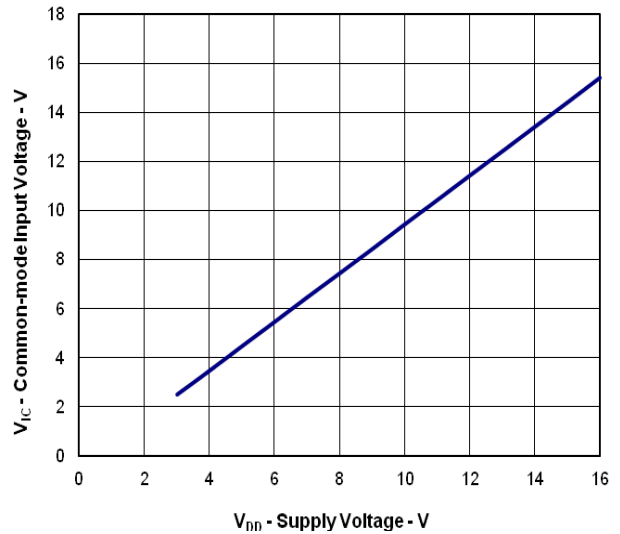


Figure 16

Typical Performance Characteristics

Supply current
vs
Supply Voltage

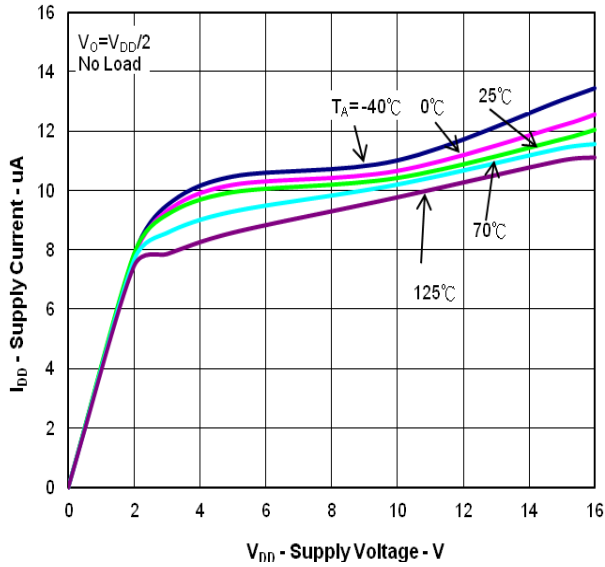


Figure 17

Supply current
vs
Free-Air Temperature

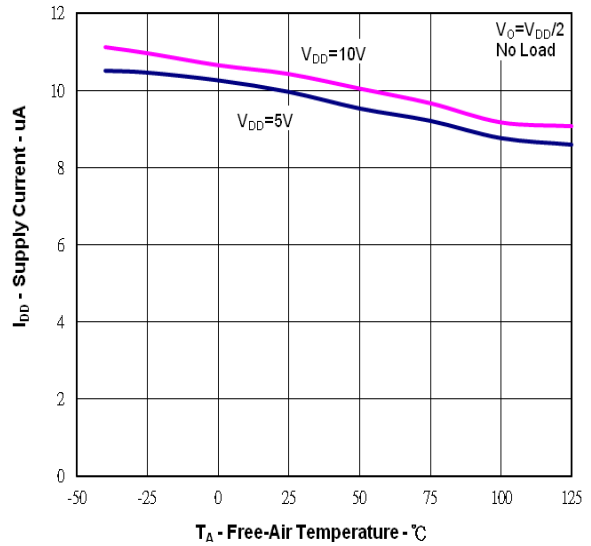


Figure 18

Slew Rate
vs
Supply Voltage

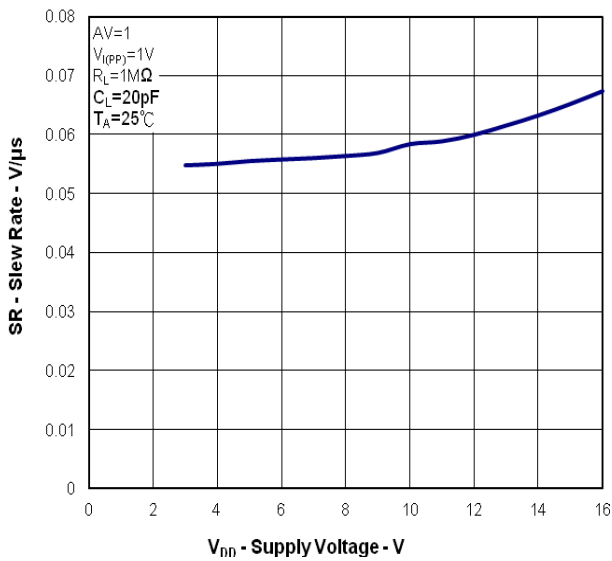


Figure 19

Slew rate
vs
Free-Air Temperature

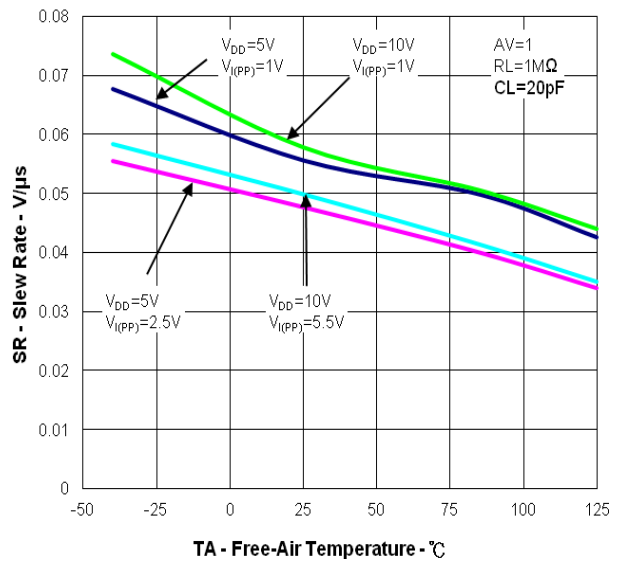
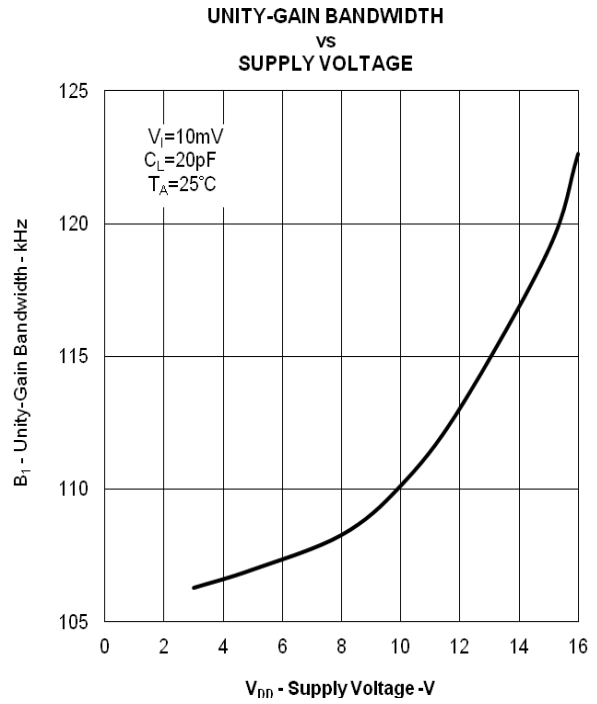
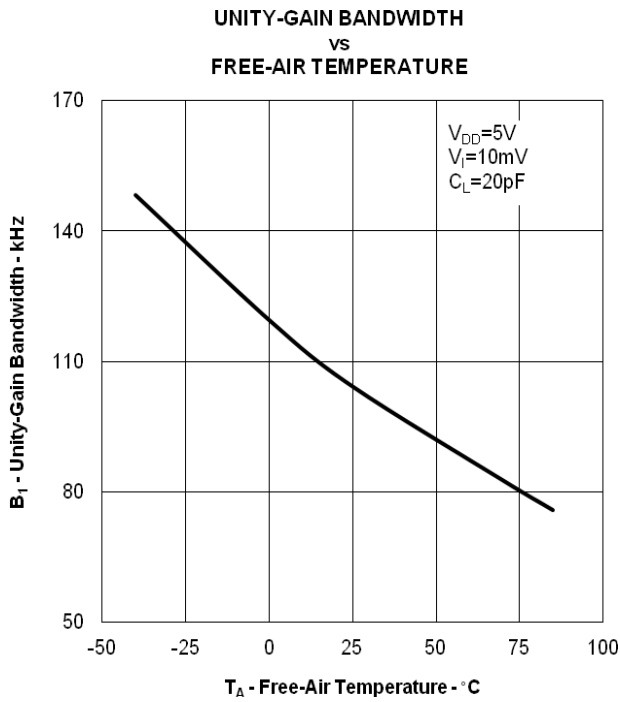
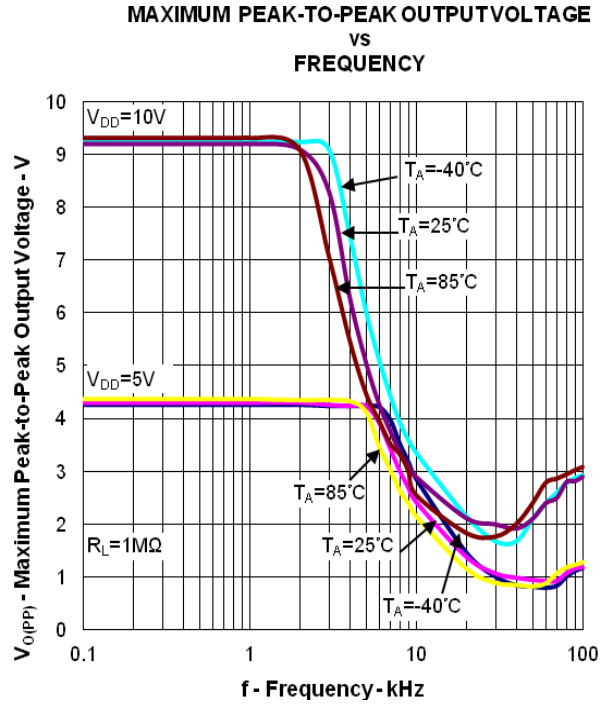
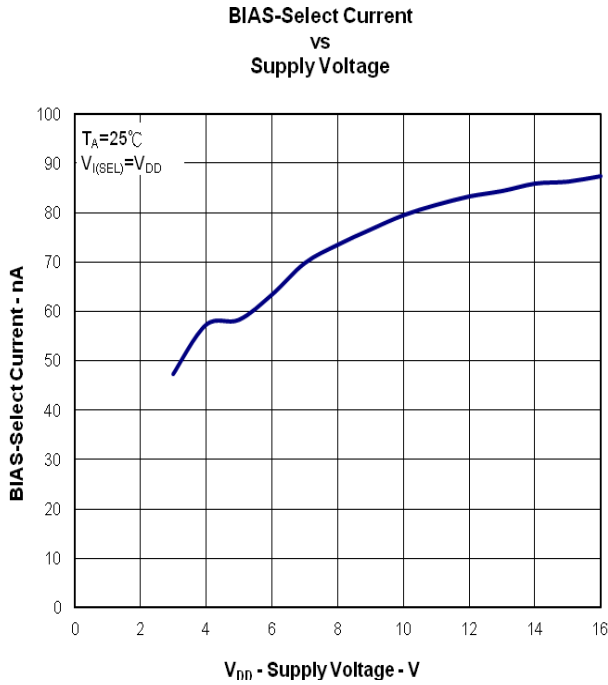
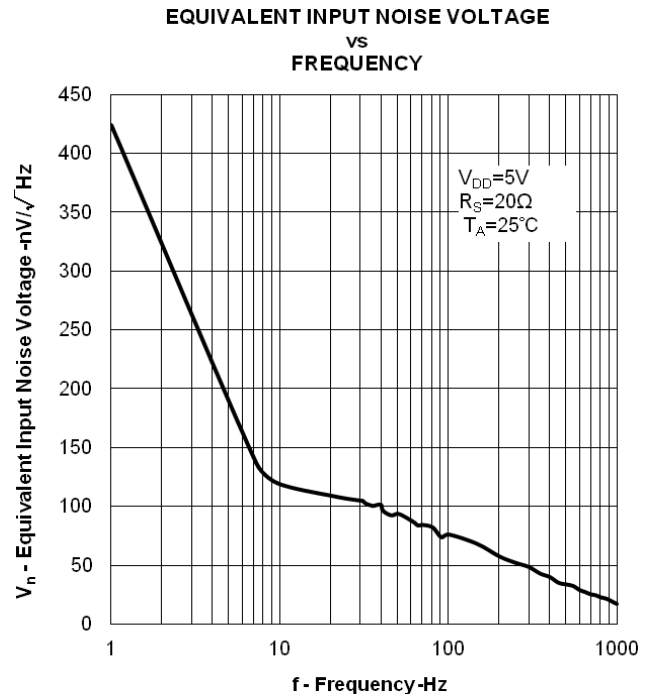
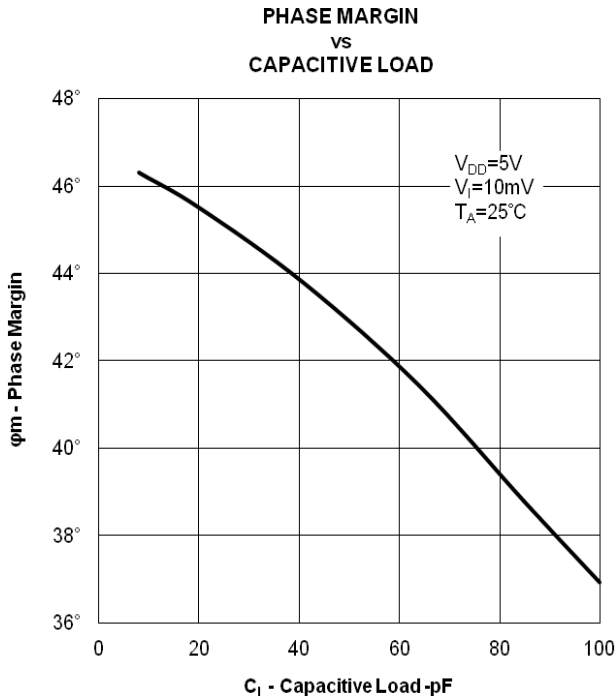
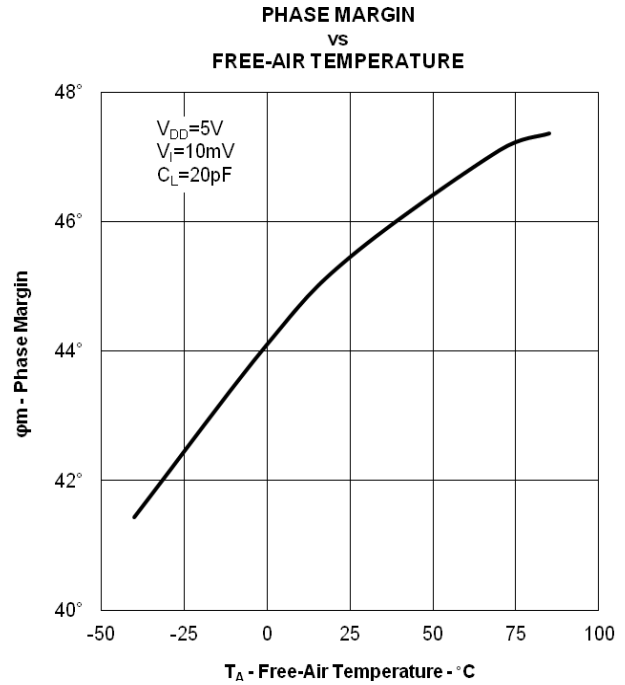
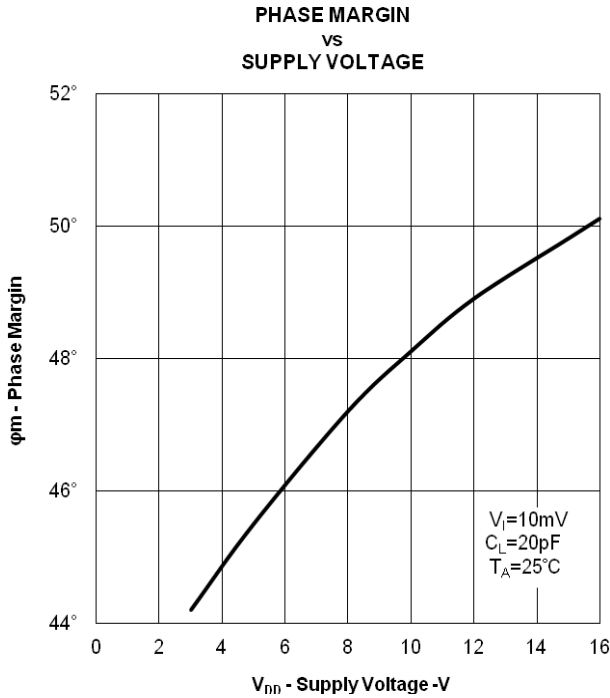


Figure 20

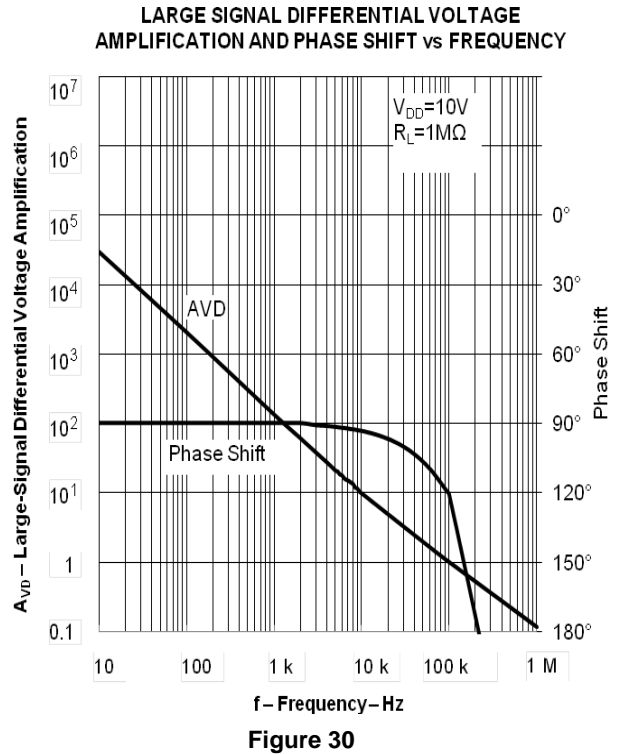
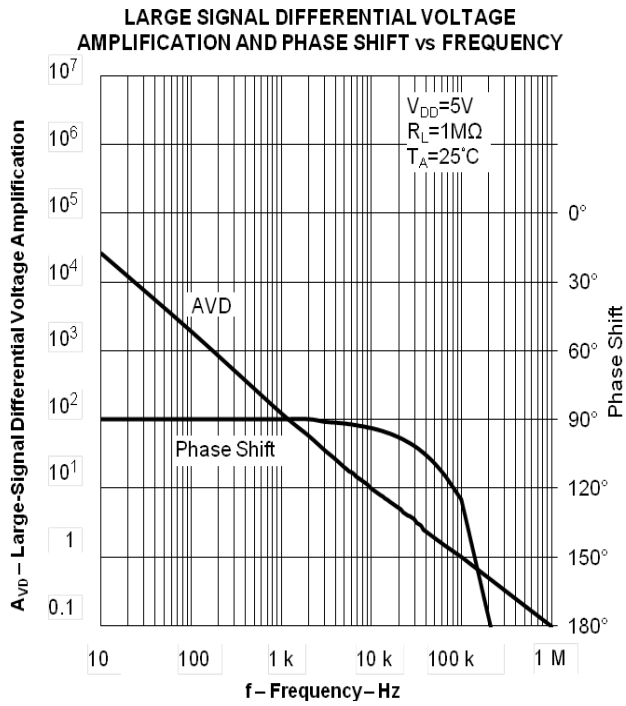
Typical Performance Characteristics



Typical Performance Characteristics



Typical Performance Characteristics



Application Information

Parameter measurement circuits

Because the TLC271 is optimized for single-supply operation, circuit configurations used for the various tests can present some difficulties since the input signal must be offset from ground. This issue can be avoided by testing the device with split supplies and the output load tied to the negative rail. Example circuits are shown below.

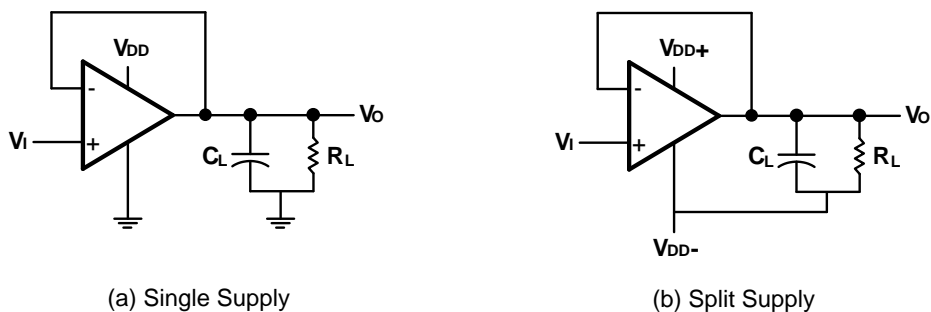


Figure 31 Measurement circuit with either single or split supply

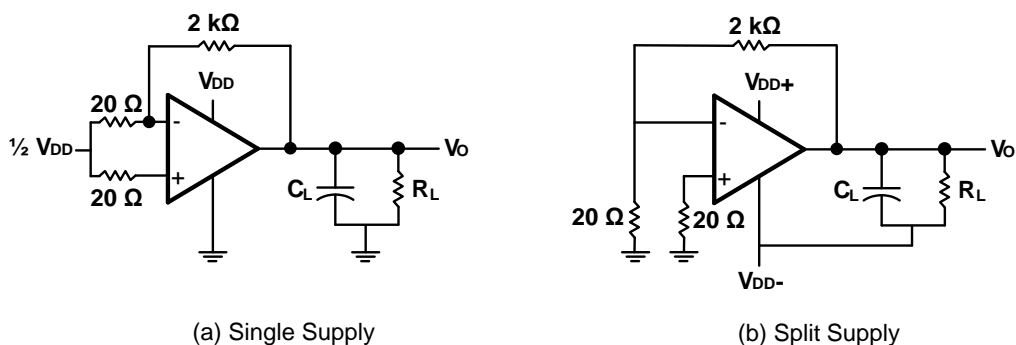


Fig 32 Noise measurement with single or split supply

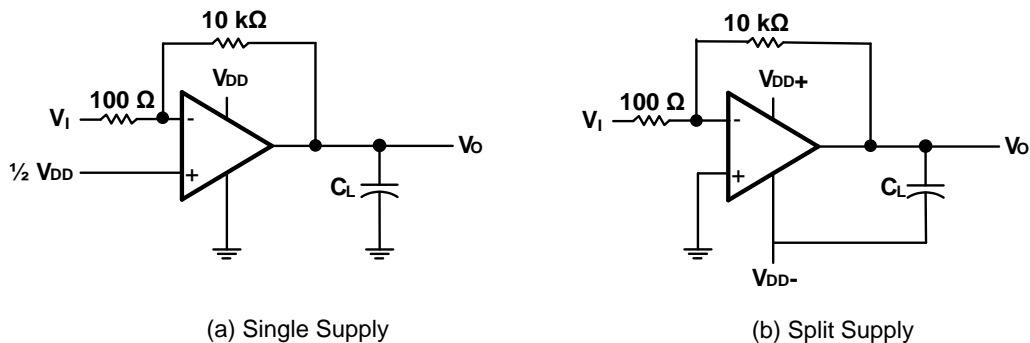


Figure 33 Gain of 100 with single or split supply

Application Notes

Offset Voltage Nulling Circuit

The TLC27L1 offers external input offset null control. Nulling of the input off set voltage may be achieved by adjusting a 100-kΩ potentiometer connected between the offset null terminals with the wiper connected as shown in Figure 31.

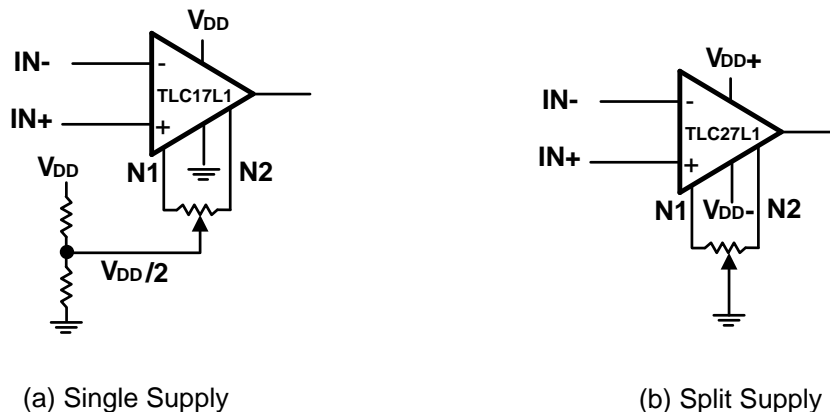


Figure 31 Offset Nulling Circuits

Input Bias Current – Error Protection

The TLC27L1 has an extremely high input impedance. To use the inputs as a high impedance node, for example, greater than 100K, or to accurately measure bias current, it is necessary to place a guard ring around the input pins and drive the ring to a potential equivalent to the common mode input voltage. In many cases this common mode potential may exist as a part of the feedback circuit and can be obtained from one of the appropriate nodes. In the case for the SO8 package, pin 4 is connected to ground or Vdd-. Input pins 2 and 3 are normally well above the voltage on pin 4, so a large potential voltage on the order of several volts is likely between pins 3 and 4. To prevent interference with a 1 pA bias current, the board resistance will need to be in the order of gigaohms to have a minimum impact. The goal is to have the common mode potential on the guard ring, therefore reducing the stray voltage near the input pins to millivolts in normal applications. Any solder flux residue, excess moisture, humidity or board contamination will be detrimental to using the device in a high impedance input mode.

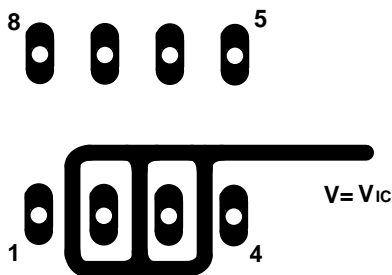


Figure 32 Bias Current Guarding for High Input Impedance Applications

Typical Application Circuits

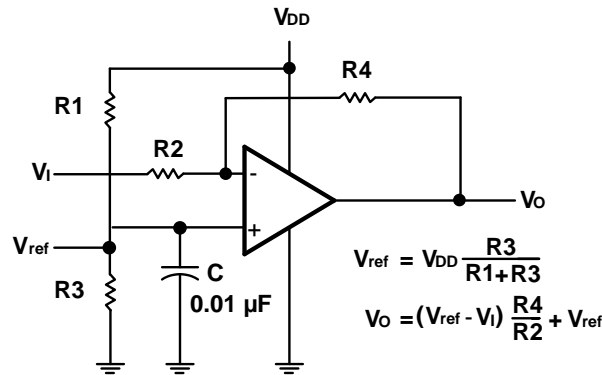


Figure 33 Inverting Amplifier With Voltage Reference

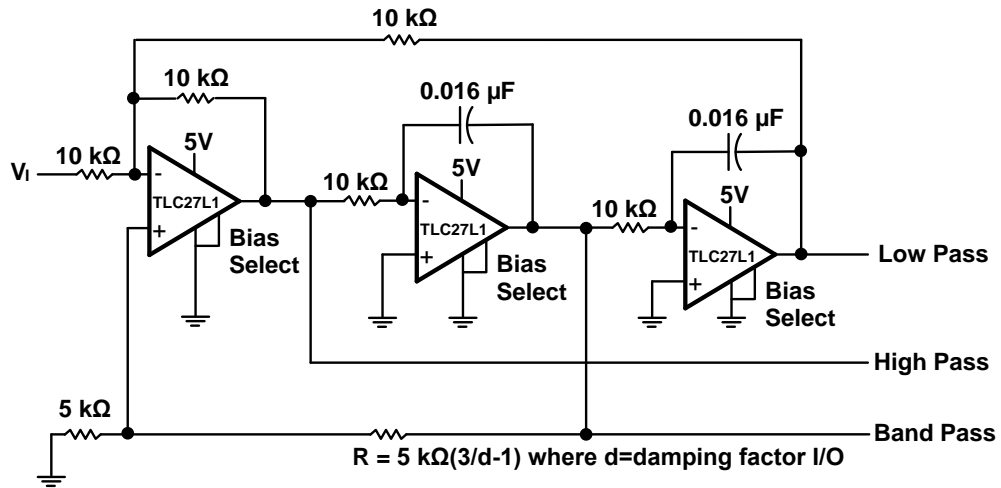


Figure 34 State Variable Filter

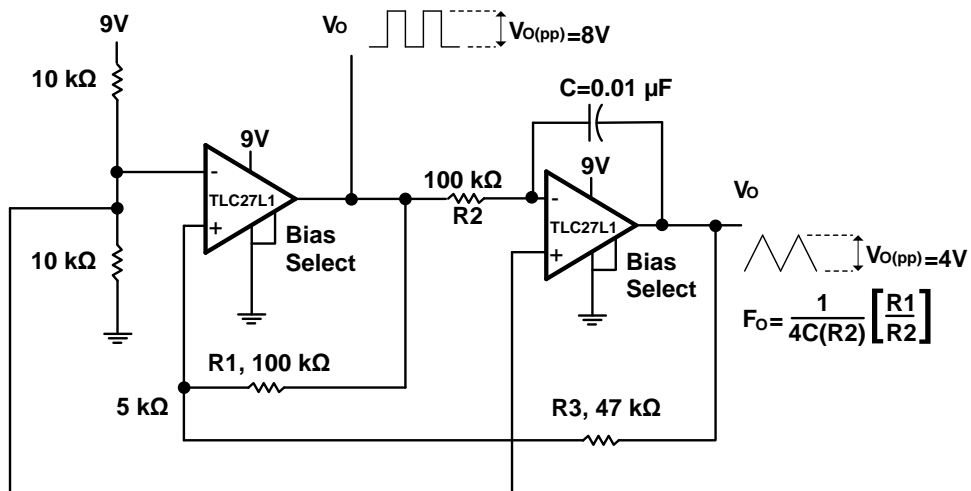


Figure 35 Single Supply Function Generator

Typical Application Circuits (cont.)

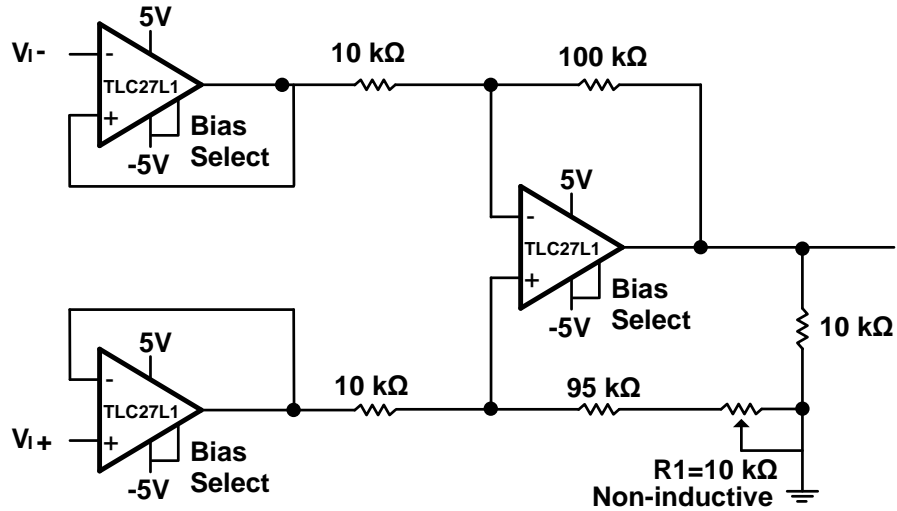


Figure 36 Low Power Instrumentation Amplifier

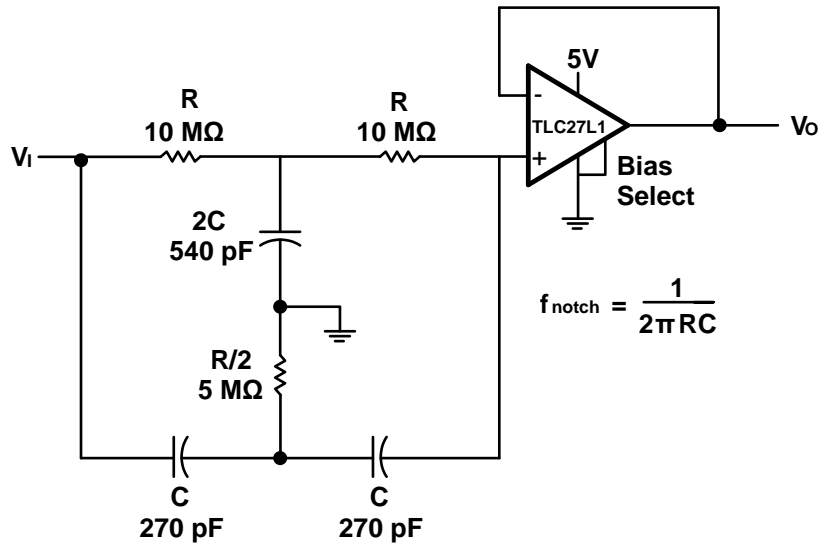


Figure 37 Single Supply Twin-T Notch Filter

Typical Application Circuits (cont.)

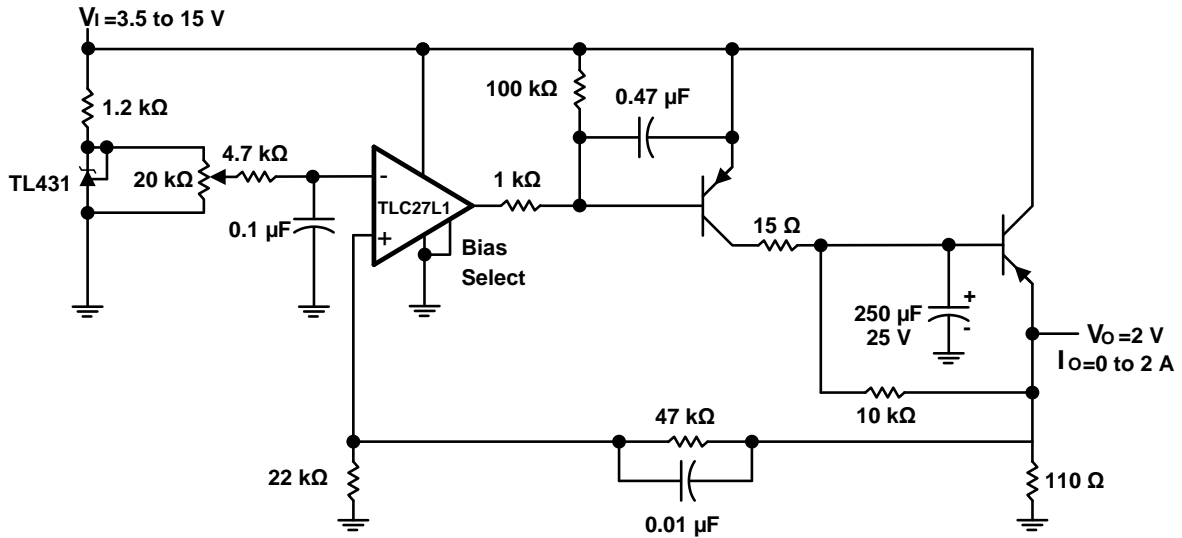


Figure 38 Power Supply

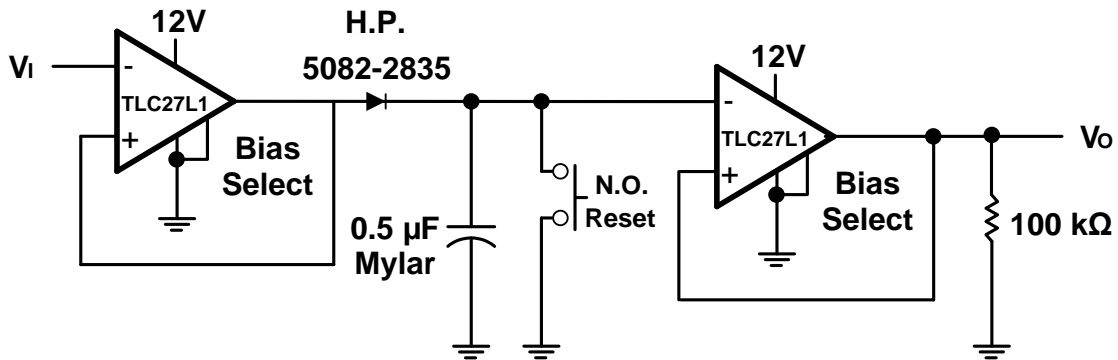


Figure 39 Positive Peak Detector

Typical Application Circuits (cont.)

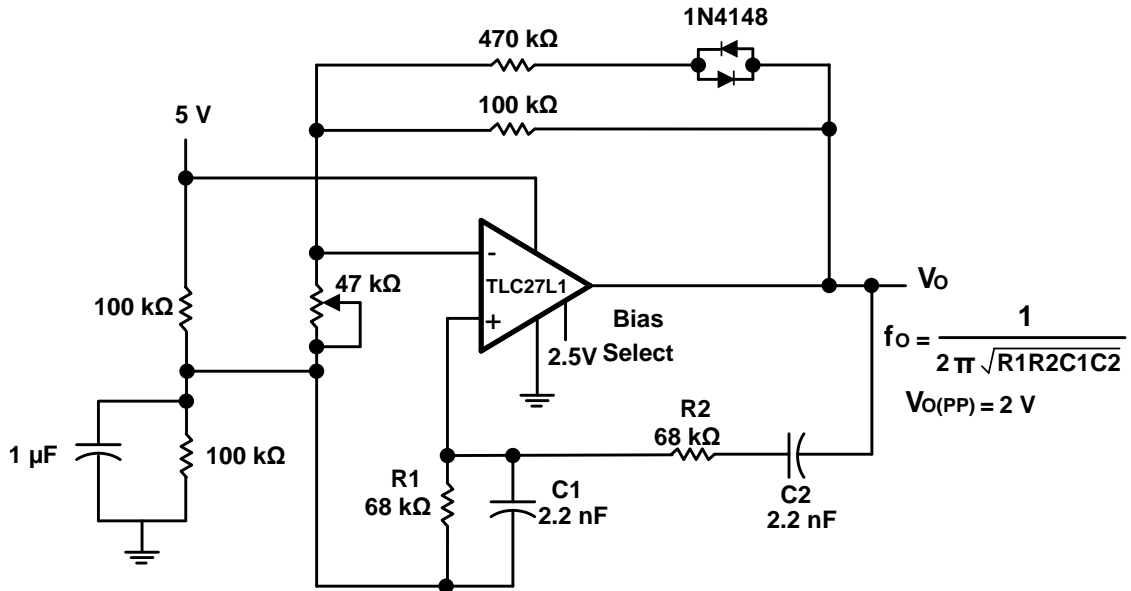


Figure 40 Wein Oscillator

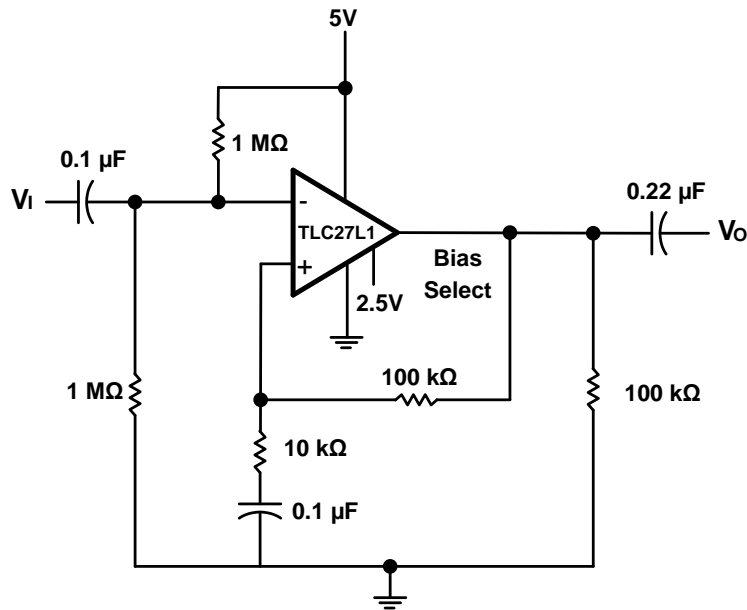


Figure 41 Single-Supply AC Amplifier

Typical Application Circuits (cont.)

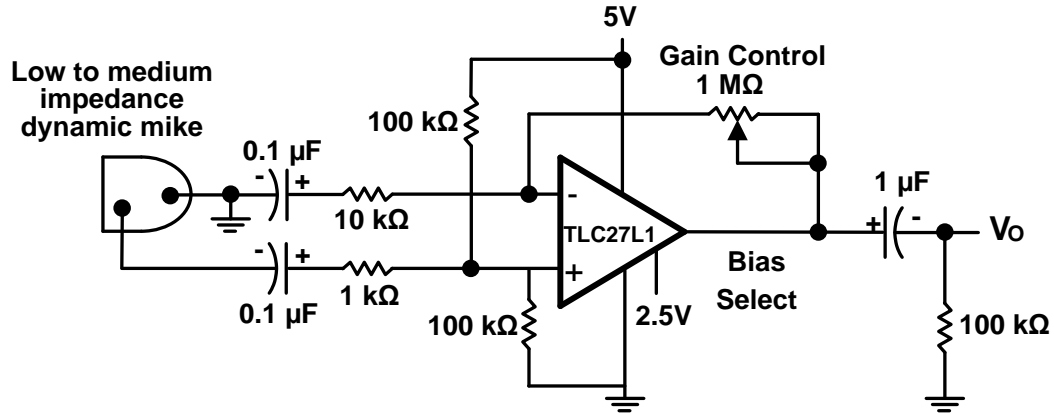


Figure 42 Microphone Preamp

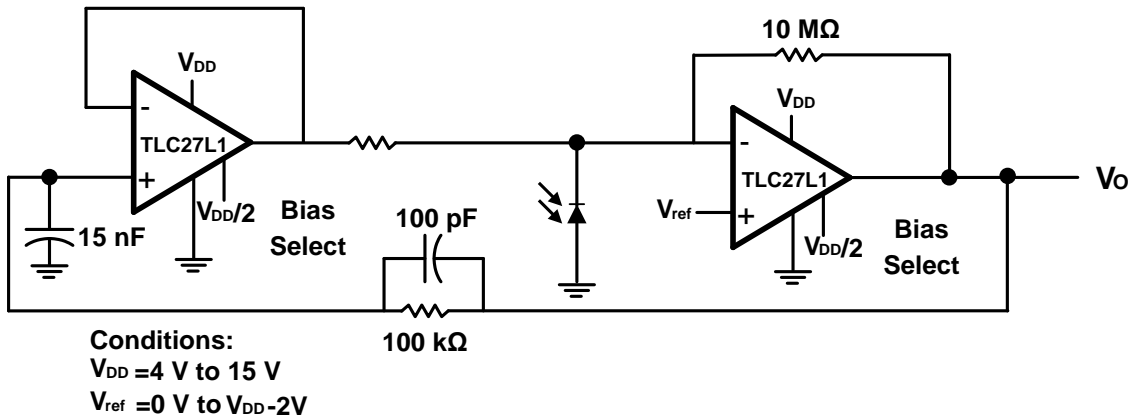


Figure 43 Photo-Diode Amplifier With Ambient Light Rejection

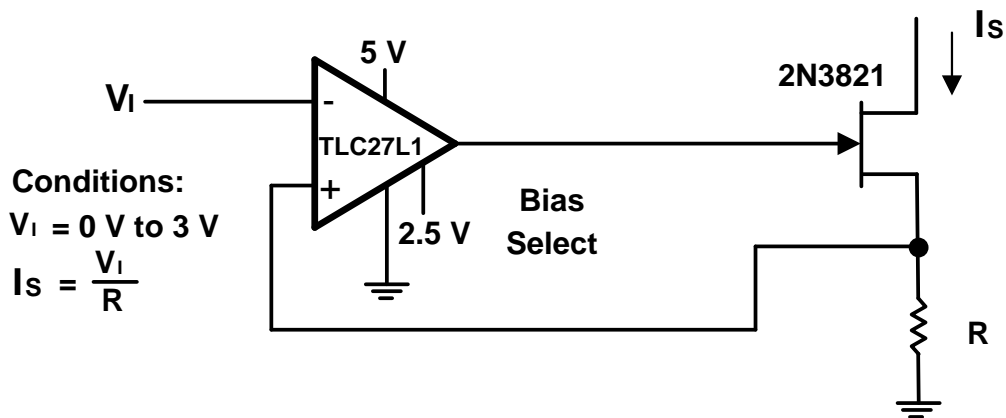


Figure 44 Precision Low-Current Sink

Typical Application Circuits (cont.)

| Select | S1 | S2 |
|--------|----|-----|
| A_v | 10 | 100 |

$V_{DD} = 5\text{ V to }12\text{ V}$

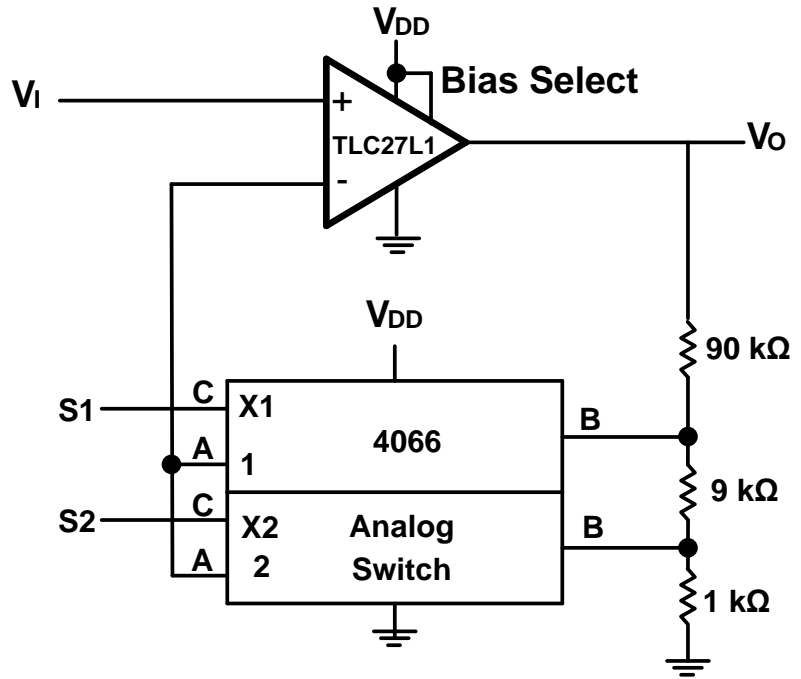


Figure 45 Amplifier With Digital Gain Selection

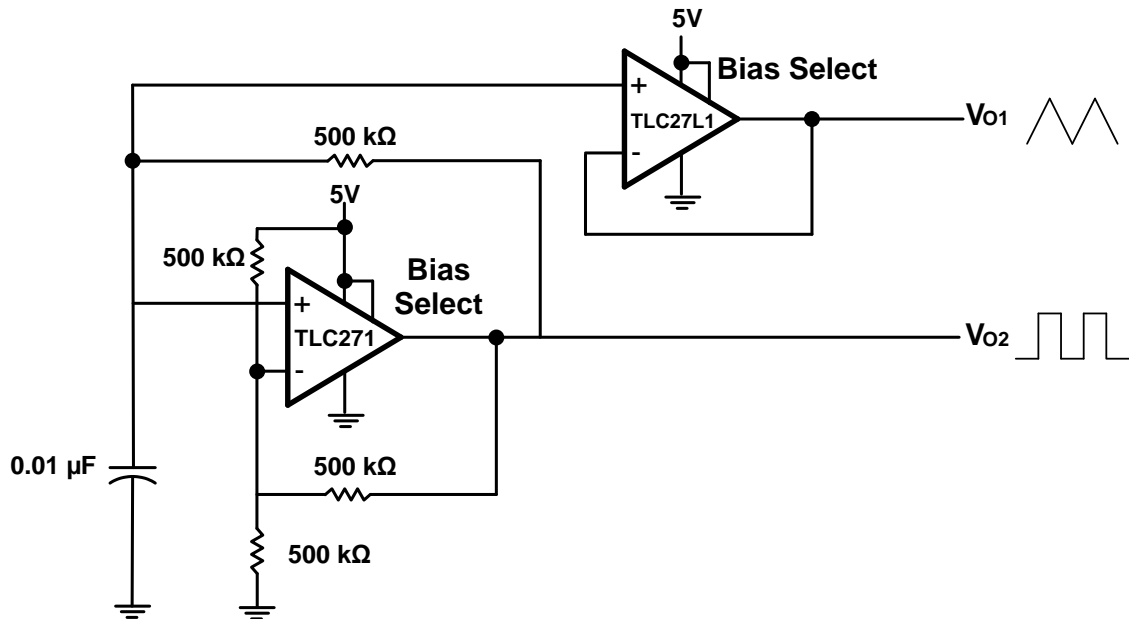


Figure 46 Multivibrator

Typical Application Circuits (cont.)

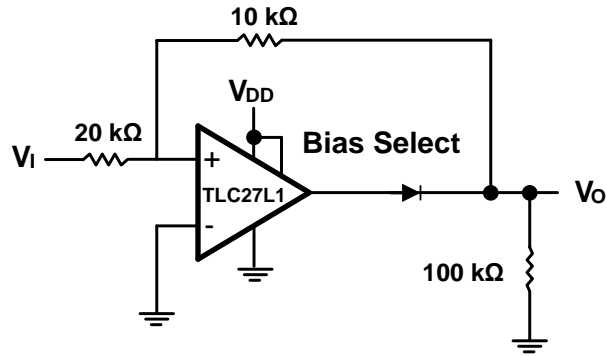
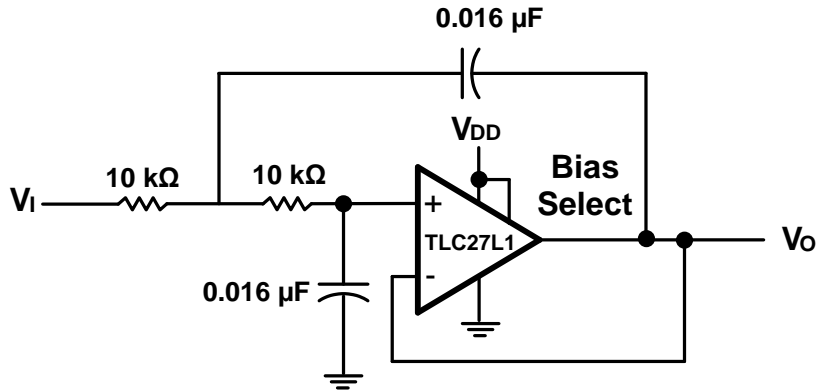


Figure 47 Full Wave Rectifier



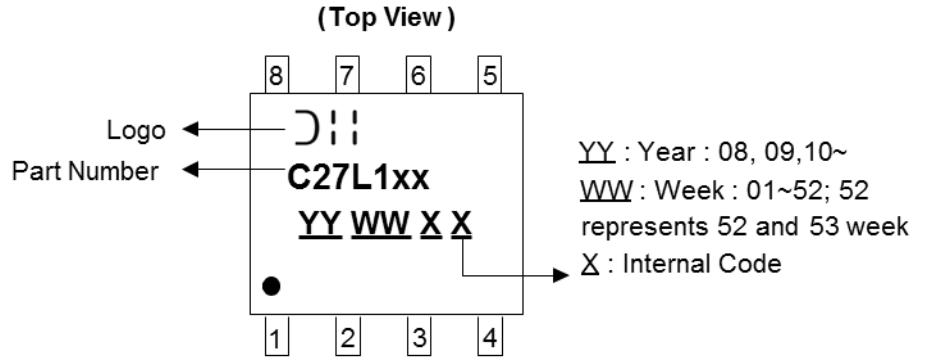
Normalized to $F_C = 1 \text{ kHz}$ and $R_L = 10 \text{ k}\Omega$

Figure 48 Two-Pole Low-Pass Butterworth Filter

Marking Information

SO-8

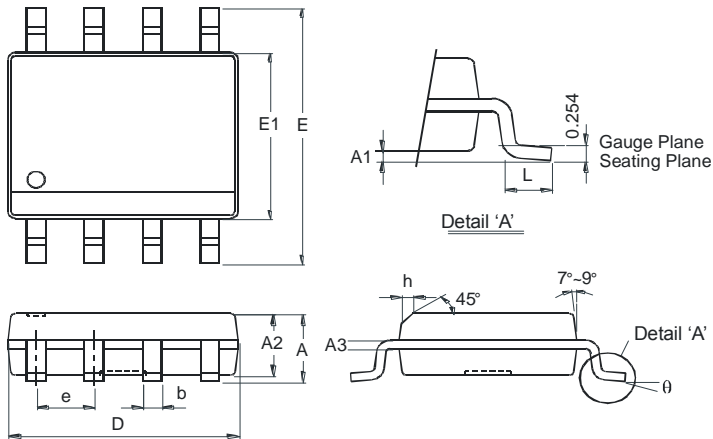
| Part mark | Part number |
|-----------|-------------|
| C27L1C | TLC27L1CS |
| C27L1AC | TLC27L1ACS |
| C27L1BC | TLC27L1BCS |
| C27L1I | TLC27L1IS |
| C27L1AI | TLC27L1AIS |
| C27L1BI | TLC27L1BIS |



Package Outline Dimensions

Please see AP02002 at <http://www.diodes.com/datasheets/ap02002.pdf> for the latest version.

Package Type: SO-8



| SO-8 | | |
|----------------------|----------|------|
| Dim | Min | Max |
| A | - | 1.75 |
| A1 | 0.10 | 0.20 |
| A2 | 1.30 | 1.50 |
| A3 | 0.15 | 0.25 |
| b | 0.3 | 0.5 |
| D | 4.85 | 4.95 |
| E | 5.90 | 6.10 |
| E1 | 3.85 | 3.95 |
| e | 1.27 Typ | |
| h | - | 0.35 |
| L | 0.62 | 0.82 |
| θ | 0° | 8° |
| All Dimensions in mm | | |

IMPORTANT NOTICE

DIODES INCORPORATED MAKES NO WARRANTY OF ANY KIND, EXPRESS OR IMPLIED, WITH REGARDS TO THIS DOCUMENT, INCLUDING, BUT NOT LIMITED TO, THE IMPLIED WARRANTIES OF MERCHANTABILITY AND FITNESS FOR A PARTICULAR PURPOSE (AND THEIR EQUIVALENTS UNDER THE LAWS OF ANY JURISDICTION).

Diodes Incorporated and its subsidiaries reserve the right to make modifications, enhancements, improvements, corrections or other changes without further notice to this document and any product described herein. Diodes Incorporated does not assume any liability arising out of the application or use of this document or any product described herein; neither does Diodes Incorporated convey any license under its patent or trademark rights, nor the rights of others. Any Customer or user of this document or products described herein in such applications shall assume all risks of such use and will agree to hold Diodes Incorporated and all the companies whose products are represented on Diodes Incorporated website, harmless against all damages.

Diodes Incorporated does not warrant or accept any liability whatsoever in respect of any products purchased through unauthorized sales channel.

Should Customers purchase or use Diodes Incorporated products for any unintended or unauthorized application, Customers shall indemnify and hold Diodes Incorporated and its representatives harmless against all claims, damages, expenses, and attorney fees arising out of, directly or indirectly, any claim of personal injury or death associated with such unintended or unauthorized application.

Products described herein may be covered by one or more United States, international or foreign patents pending. Product names and markings noted herein may also be covered by one or more United States, international or foreign trademarks.

This document is written in English but may be translated into multiple languages for reference. Only the English version of this document is the final and determinative format released by Diodes Incorporated.

LIFE SUPPORT

Diodes Incorporated products are specifically not authorized for use as critical components in life support devices or systems without the express written approval of the Chief Executive Officer of Diodes Incorporated. As used herein:

A. Life support devices or systems are devices or systems which:

1. are intended to implant into the body, or
2. support or sustain life and whose failure to perform when properly used in accordance with instructions for use provided in the labeling can be reasonably expected to result in significant injury to the user.

B. A critical component is any component in a life support device or system whose failure to perform can be reasonably expected to cause the failure of the life support device or to affect its safety or effectiveness.

Customers represent that they have all necessary expertise in the safety and regulatory ramifications of their life support devices or systems, and acknowledge and agree that they are solely responsible for all legal, regulatory and safety-related requirements concerning their products and any use of Diodes Incorporated products in such safety-critical, life support devices or systems, notwithstanding any devices- or systems-related information or support that may be provided by Diodes Incorporated. Further, Customers must fully indemnify Diodes Incorporated and its representatives against any damages arising out of the use of Diodes Incorporated products in such safety-critical, life support devices or systems.

Copyright © 2014, Diodes Incorporated

www.diodes.com

Looking for pricing, stock, or lifecycle information?

Click below to explore more details on WIN SOURCE:

 [View TLC27L1BCS-13 on WIN SOURCE](#)

 [Diodes Incorporated](#) Information

Optimize Your Supply Chain with WIN SOURCE Solutions

-  Global Sourcing Solution
-  Obsolete Management
-  Cost Control Management
-  Shortage Management
-  Alternative Solution
-  Excess Inventory Management