



THE DATASHEET OF WSPSM208



WASP™ OCCUPANCY SENSOR

OCCUPANCY SENSORS AND CONTROLLERS

FEATURES

- Digital Passive Infrared (PIR) sensor
- Multiple (single and dual) output versions
- Unique Smart Cycling for improved lamp life
- End mount and surface mount versions
- Interchangeable high/low area detection lens options (sold separately)
- Low voltage and line voltage models available
- Daylight sensor for daylight harvesting applications
- Low temperature/water-tight/indoor-outdoor versions



SPECIFICATIONS

CONSTRUCTION

- Sensor module and lens assembly - high impact, injection-molded plastic
- 4.0" x 1.5" H (101.6mm x 38.1mm H)
- 7.0 oz. (198.45g)
- White, Black and Gray
- (1) 12-pin dip switch
- Dual element pyrometer and spherical Fresnel lens designed for robust detection of a walking person*
- Lens Options
 - Low Mount/High Mount:
 - Indoor/Outdoor
 - Coverage: 360°, 180°, Aisle, Half Aisle
 - Lenses sold separately

MOUNTING

- End mount sensor: Mounts directly to end of fixture through extended ½": (12.7mm) chase nipple
- For deeper body fixtures, an optional Extender Adapter (available separately) positions the sensor flush or below the bottom of the reflector for a full field-of-view
- Surface mount sensor: Mounts directly to fixture or j-box via (2) 1.25" (31.75mm) stainless steel screws and locking nuts

ELECTRICAL

- Line Voltage sensors: 120/277/347VAC, 208/240VAC, 480VAC, 60 Hz
- Low Voltage sensors: 24VDC (uses UVPP or MP-Series power pack – not included)

ELECTRICAL (CONTINUED)

- 120VAC: 0-800W ballast or 0-600W tungsten, 60Hz
- 277VAC: 0-1200W ballast
- 347VAC: 0-1500W ballast
- 208/240VAC: 0-1200W ballast
- 480VAC: 0-2400W ballast
- ¼ HP motor load @ 120VAC, 1/6HP @ 347VAC
- 24VDC active high-logic control signal
- Relay: N/O + N/C contacts; 500mA rated @ 24VDC; three wire isolated relay

OPERATION

- Coverage: 360°, 180°, Aisle, Half Aisle
- Timer Settings
 - Primary: 8-second test mode - 4, 8, 16 and 30 minute timeouts
 - Secondary: can be disable (switches off with primary timer) - 30, 60 and 90 minute timeouts
- Daylight Sensor
 - Range: 30 - 2500fc
 - End mount sensor: Downward and upward looking daylight sensors (Direction selectable via dip switch)
 - Surface mount sensor: Downward looking daylight sensor only

OPERATING ENVIRONMENT

- Operating temperature: 32° to 149°F (0° to 65°C)
- Relative humidity (non-condensing): 0% to 95%
- Low-temperature/WaterTight/Indoor-Outdoor version: Operating temperature: -40° to 149°F (-40° to 65°C)

CERTIFICATIONS

- UL and cULus listed
- Title 24 compliant
- Conforms to UL STD 508, UL STD 244A
- Product configurations meet federal procurement law requirements under the Trade Agreements Act (FAR 52.225-11). See [Buy America\(n\) Solutions](#).

WARRANTY

- 5 year warranty

*When used with program start ballast, a 1-2 second delay from occupancy detection to lamp turn-on may be experienced

WASP™ OCCUPANCY SENSOR

OCCUPANCY SENSORS AND CONTROLLERS

ORDERING GUIDE

Example: WSP-SM-UNV

CATALOG # _____

WSP	Environment	Mounting	Input Voltage	Color	BAA/TAA*
Sensor					
WSP WASP Sensor	Blank Standard Version LWO Low-Temp/WaterTight/Indoor/Outdoor	EM End Mount SM Surface Mount	24V 24VDC (Low Voltage) UNV 120/277/347VAC UNV2R 120/277/347VAC (2 Outputs) 208 208/240VAC 480 480VAC	Blank White BK Black GY Gray	Blank Standard Product * See Buy American Solutions below

*Buy American Solutions
TAA FAR \$52.225-11
WSPLWOEMUNV-T
WSPLWOSM24V-T
WSPSM24V-T
WSPLWOSMUNV-T
WSPSMUNV-T
WSPSEMUNV-T

Lens Ordering Guide

Example: WSP-LWO-L360-LM-WH

CATALOG # _____

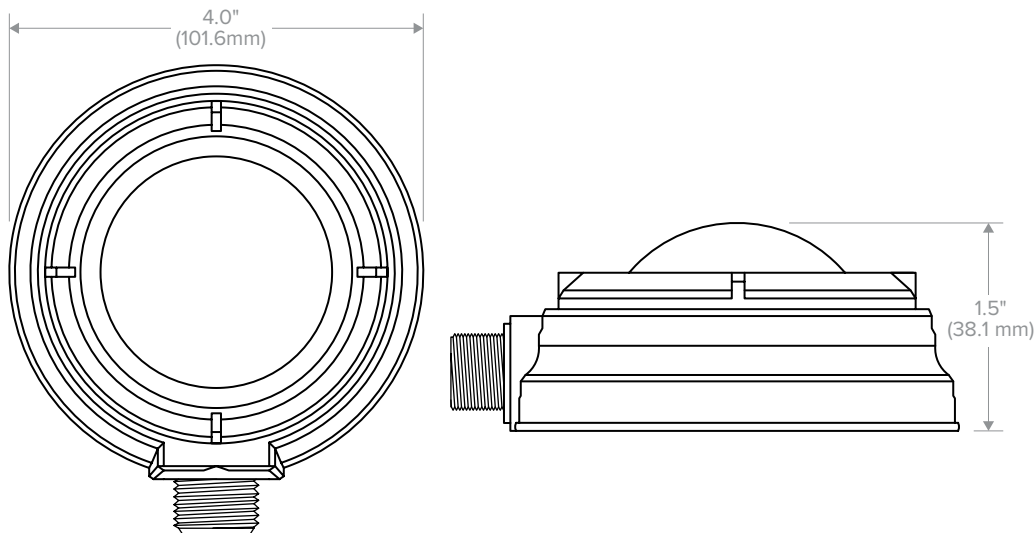
WSP	Environment	Coverage	Mounting	Color
Sensor Lens				
WSP WASP Sensor Lens	Blank Indoor Version LWO Low-Temp/Watertight/Outdoor Only	L360 360° Area Lens L180 180° Area Lens LA Aisle Lens LHA Half Aisle Lens	Blank High Mount LM Low Mount	WH White BK Black GY Gray

Notes:
*Please see Buy American Solutions table above

Accessories

- WSPADAPTOR2 WASP End Mount Sensor Offset Adapter

DIMENSIONS

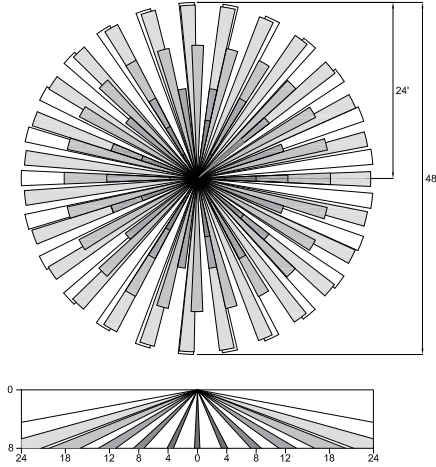


WASP™ OCCUPANCY SENSOR

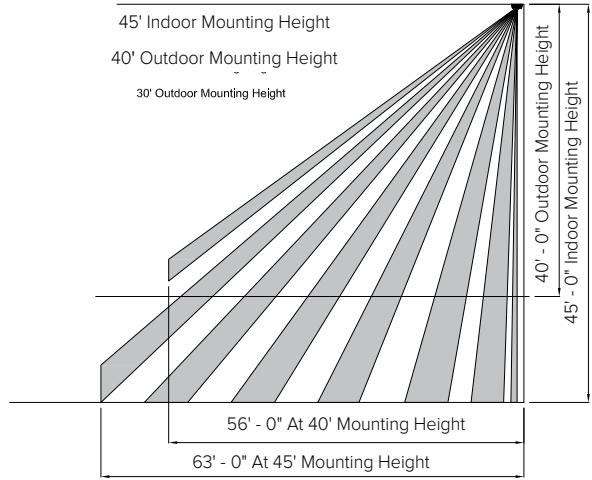
OCCUPANCY SENSORS AND CONTROLLERS

ADDITIONAL INFORMATION

Coverage Pattern

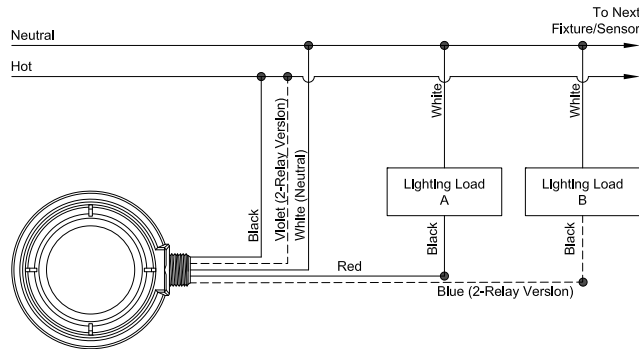


Sensor Lens Coverage and Detection Patterns When Mounted at 8 ft with Low Mount Lens

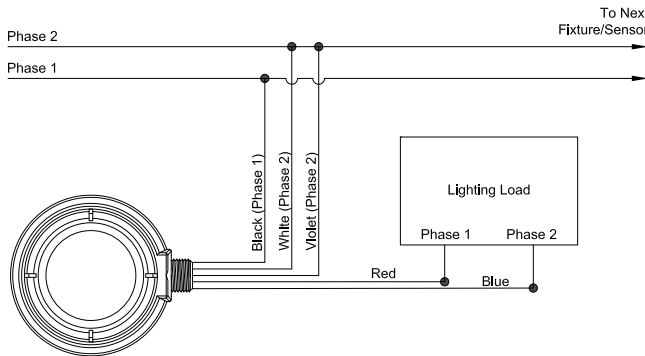


Sensor Lens Coverage and Detection Patterns When Mounted at 40 ft and 45 ft with High Mount Lens

Wiring Diagrams



120/277/347VAC WASP2



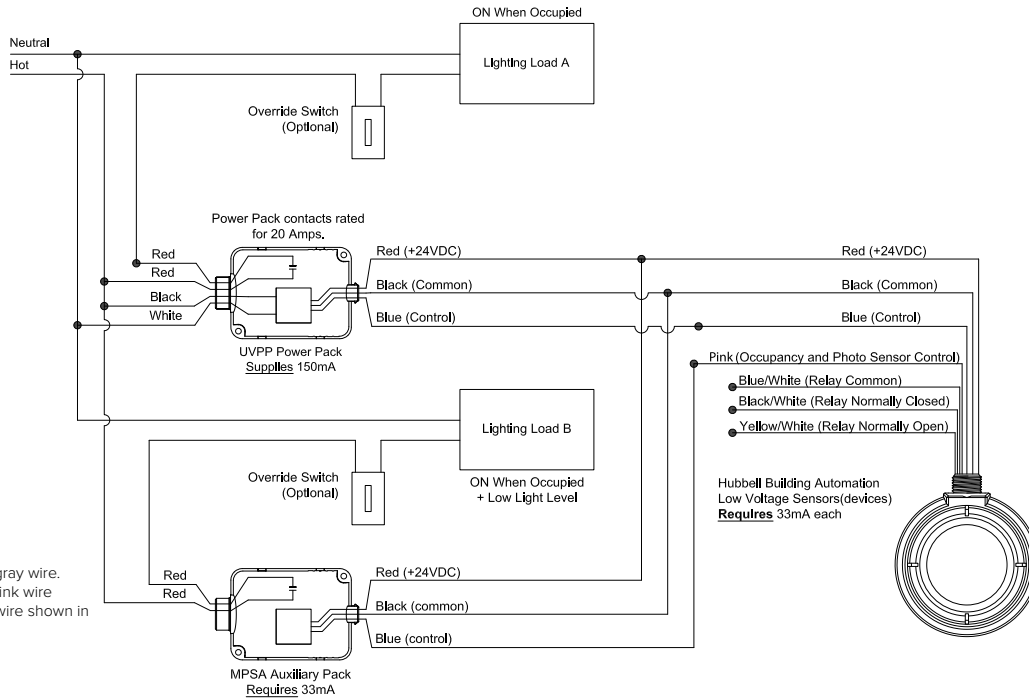
208/240 & 480VAC WASP2

WASP™ OCCUPANCY SENSOR

OCCUPANCY SENSORS AND CONTROLLERS

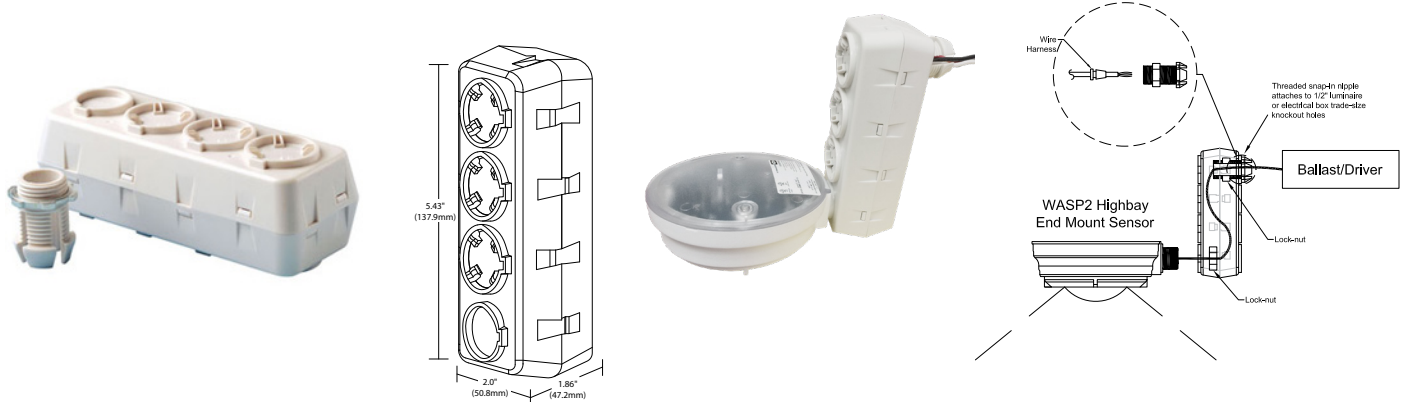
ADDITIONAL INFORMATION CONTINUED

Wiring Diagrams



Pink wire replaces previous gray wire. Units with a gray instead of pink wire should be wired as the pink wire shown in the diagram.

Accessories



The Optional WSPADAPTOR2 offset adaptor can be used to improve the field of view for fixture mounted sensors where the geometry of the fixture might otherwise interfere with the sensor's performance. The adapter snaps into a standard 1/2" (12.7mm) knockout on the end of the fixture and provides several mounting position choices for the sensor.

Default Settings

Occupancy Sensor Timeout	8 Minutes
Occupied State	ON
Unoccupied State	OFF
Daylight Sensor	Disabled

Looking for pricing, stock, or lifecycle information?

Click below to explore more details on WIN SOURCE:

- ⊖ [View WSPSM208 on WIN SOURCE](#)
- ⊖ [Thomas Research Products Information](#)

Optimize Your Supply Chain with WIN SOURCE Solutions

- ✓ Global Sourcing Solution
- ✓ Obsolete Management
- ✓ Cost Control Management
- ✓ Shortage Management
- ✓ Alternative Solution
- ✓ Excess Inventory Management