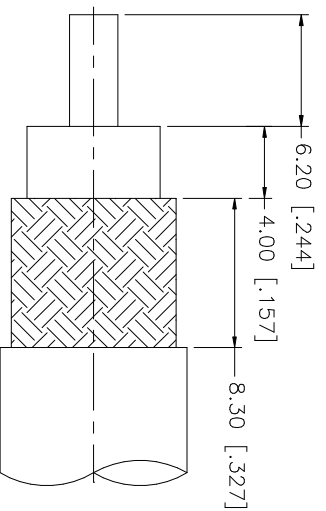
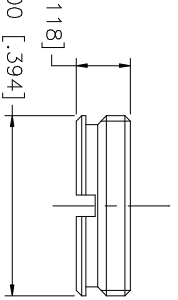
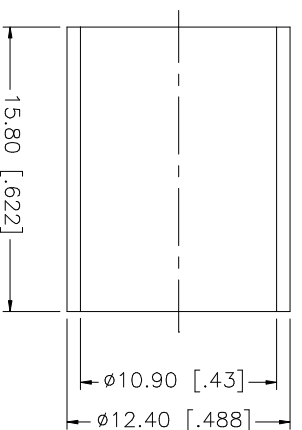
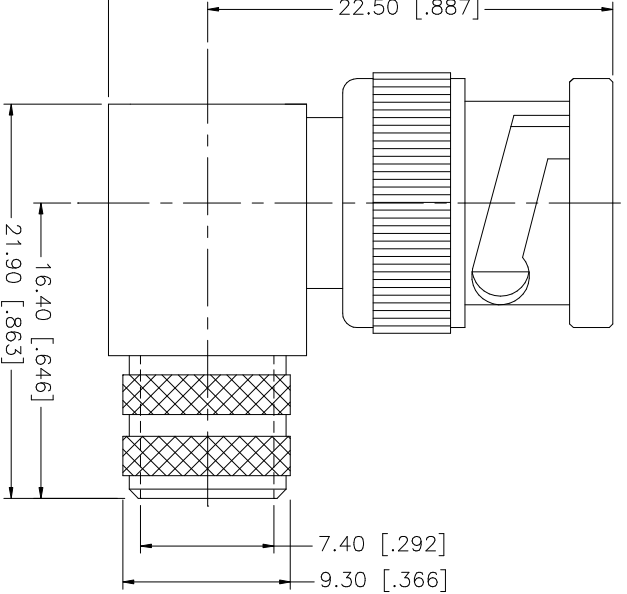




THE DATASHEET OF
112594



| REV. | DATE | DESCRIPTION |
|------|----------|-----------------------|
| NC | 04/29/98 | INITIAL RELEASE |
| A | 07/20/05 | UPDATE DRAWING FORMAT |



RECOMMENDED
CABLE STRIPPING DIM'S



| UNLESS OTHERWISE SPECIFIED DIMENSIONS ARE IN INCHES AND FOR CUSTOMER REFERENCE ONLY | | UNLESS OTHERWISE SPECIFIED DIMENSIONS ARE IN MILLIMETERS | |
|---|---------|--|--|
| RASS | NICKEL | 1 | |
| RASS | NICKEL | 1 | |
| RASS | GOLD | 1 | |
| FLON | NATURAL | 1 | |
| RASS | NICKEL | 1 | |
| FINISH | | QTY | |
| DO NOT SCALE DRAWING | | | |
| APPROVALS | | DATE | |
| DRAWN G.R.S. | | 07/20/05 | |
| CHECKED | | | |
| ISSUED | | | |
| SHEET 1 OF 1 | | | |
| CAD FILE C:/112/112594.DWG | | | |
| PART NO. 112594 | | | |
| DWG. NO. 112594.DWG | | | |
| REV. A | SIZE A | SCALE NA | |

Amphenol Connex

BNC R/A CRIMP PLUG
(FOR RG-8/U, 213/U CABLE)

Looking for pricing, stock, or lifecycle information?

Click below to explore more details on WIN SOURCE:

-  [View 112594 on WIN SOURCE](#)
-  [Amphenol-RF Division Information](#)

Optimize Your Supply Chain with WIN SOURCE Solutions

-  Global Sourcing Solution
-  Obsolete Management
-  Cost Control Management
-  Shortage Management
-  Alternative Solution
-  Excess Inventory Management