



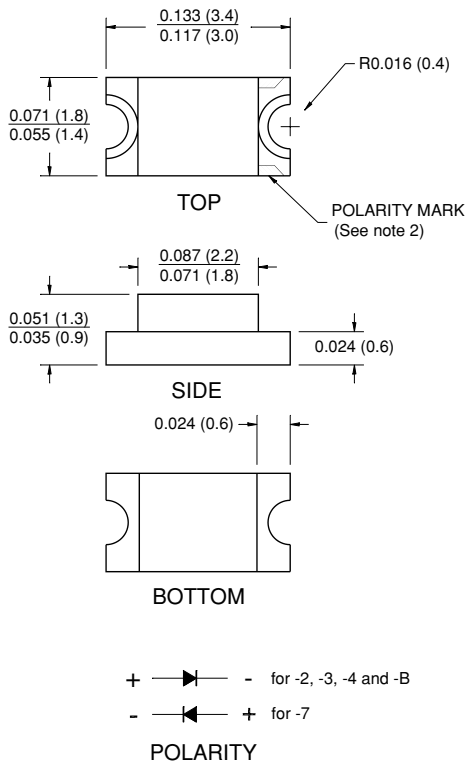
**THE DATASHEET OF
QTLP650D3TR**



QTLP650C-2 / QTLP650D-2 HER
 QTLP650C-4 / QTLP650D-4 Green
 QTLP650C-B Blue

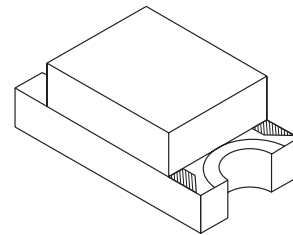
QTLP650C-3 / QTLP650D-3 Yellow
 QTLP650C-7 / QTLP650D-7 AlGaAs Red

PACKAGE DIMENSIONS



NOTE:

1. Dimensions for all drawings are in inches (mm).
2. Cathode for -2, -3, -4 and B. Anode for -7.



APPLICATIONS

- Keypad backlighting
- Push-button backlighting
- LCD backlighting

DESCRIPTION

These surface mount chip LEDs are designed to fit industry standard footprint. Low profile and wide viewing angle make these LEDs ideal choices for backlighting applications and panel illumination.

FEATURES

- Small footprint - 3.2(L) X 1.6(W) X 1.1(H) mm
- Wide viewing angle of 140°(QTLP650C) or 160°(QTLP650D)
- Water clear (QTLP650C) or diffused (QTLP650D) optics
- Moisture-proof packaging
- Available in 0.315" (8mm) width tape on 7" (178mm) diameter reel; 2,000 units per reel

QTLP650C-2 / QTLP650D-2 HER

QTLP650C-3 / QTLP650D-3 Yellow

QTLP650C-4 / QTLP650D-4 Green

QTLP650C-7 / QTLP650D-7 AlGaAs Red

QTLP650C-B Blue

ABSOLUTE MAXIMUM RATINGS ($T_A = 25^\circ\text{C}$ Unless otherwise specified)

Parameter	Symbol	QTLP650C / QTLP650D					Units
		-2	-3	-4	-7	-B*	
Continuous Forward Current	I_F	30	30	30	30	30	mA
Peak Forward Current ($f = 1.0 \text{ KHz}$, Duty Factor = 1/10)	I_{FM}	160	160	160	180	100	mA
Reverse Voltage ($I_R = 10 \mu\text{A}$)	V_R	5	5	5	5	5	V
Power Dissipation	P_D	84	84	84	72	135	mW
Operating Temperature	T_{OPR}	-40 to +85					$^\circ\text{C}$
Storage Temperature	T_{STG}	-40 to +90					$^\circ\text{C}$
Lead Soldering Time	T_{SOL}	260 for 5 sec					$^\circ\text{C}$

ELECTRICAL / OPTICAL CHARACTERISTICS ($T_A = 25^\circ\text{C}$)

Part Number	Symbol	QTLP650C / QTLP650D					Condition
		-2	-3	-4	-7	-B*	
Luminous Intensity (mcd)	I_V	4 / 3	4 / 3	6 / 5	10 / 8	10 / -	$I_F = 20\text{mA}$
Minimum		10 / 8	10 / 8	10 / 8	20 / 15	20 / -	
Typical	V_F	2.8	2.8	2.8	2.4	4.5	$I_F = 20\text{mA}$
Forward Voltage (V)		2.0	2.0	2.1	1.9	3.8	
Maximum	λ_P	635	585	565	660	430	$I_F = 20\text{mA}$
Typical		λ_D	630	590	570	645	
Wavelength (nm)	$\Delta\lambda$	45	35	30	20	65	$I_F = 20\text{mA}$
Peak	$2\Theta_{1/2}$	140 / 160	140 / 160	140 / 160	140 / 160	140 / -	$I_F = 20\text{mA}$
Dominant							
Spectral Line Half Width (nm)							
Viewing Angle ($^\circ$)							

* Available only in QTLP650C

QTLP650C-2 / QTLP650D-2 HER
QTLP650C-4 / QTLP650D-4 Green
QTLP650C-B Blue

QTLP650C-3 / QTLP650D-3 Yellow
QTLP650C-7 / QTLP650D-7 AlGaAs Red

TYPICAL PERFORMANCE CURVES

Fig. 1 Forward Current vs. Forward Voltage

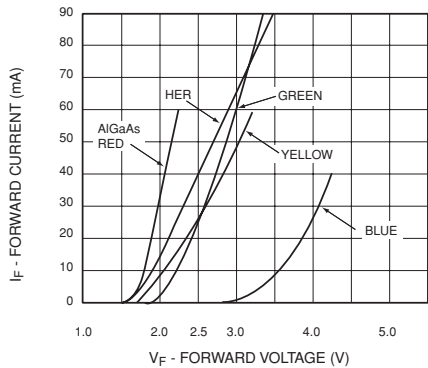


Fig. 2 Relative Luminous Intensity vs. DC Forward Current

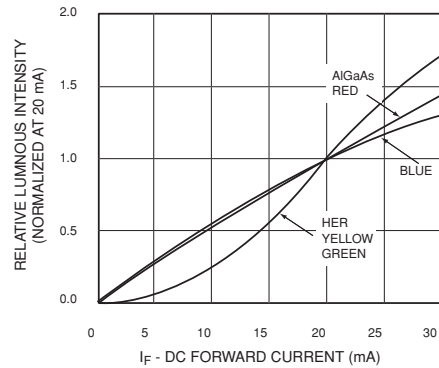


Fig. 3 Relative Intensity vs. Peak Wavelength

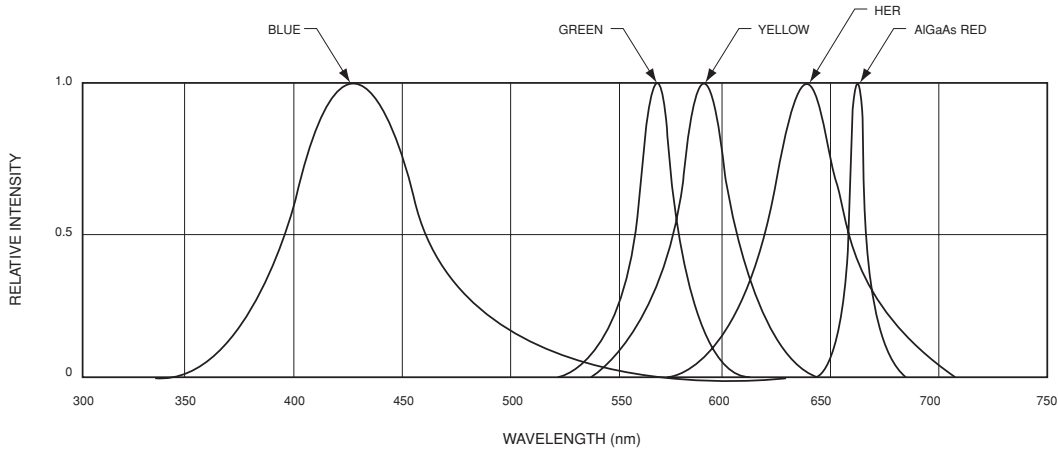


Fig.4 Radiation Diagram

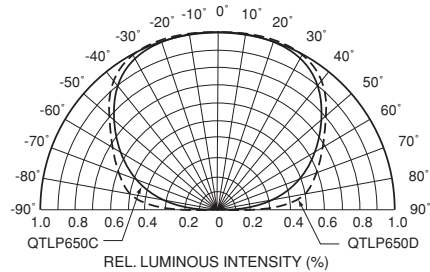
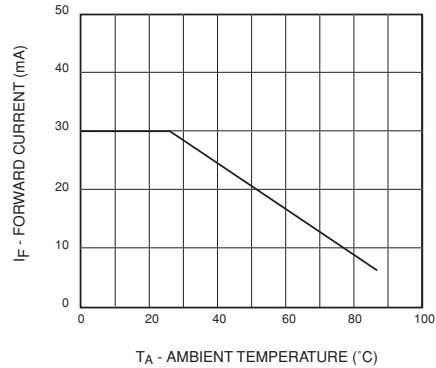


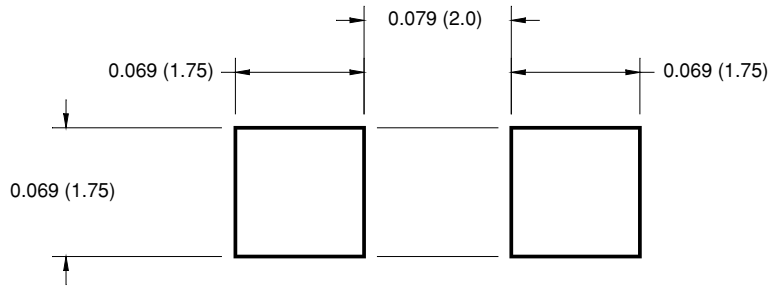
Fig.5 Maximum Forward Current vs. Ambient Temperature



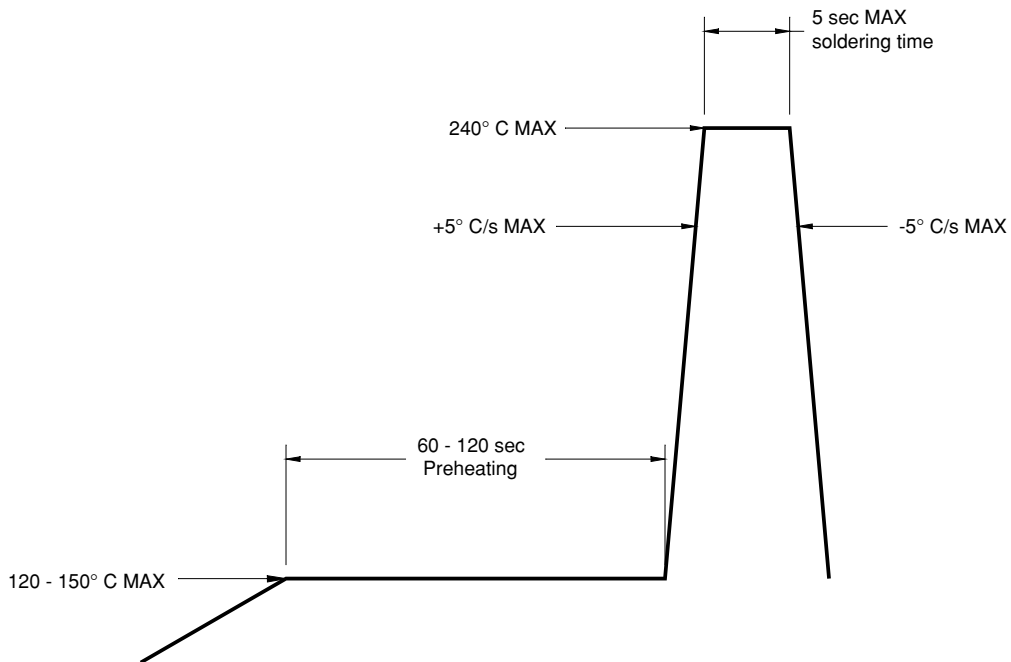
QTLP650C-2 / QTLP650D-2 HER
 QTLP650C-4 / QTLP650D-4 Green
 QTLP650C-B Blue

QTLP650C-3 / QTLP650D-3 Yellow
 QTLP650C-7 / QTLP650D-7 AlGaAs Red

RECOMMENDED PRINTED CIRCUIT BOARD PATTERN



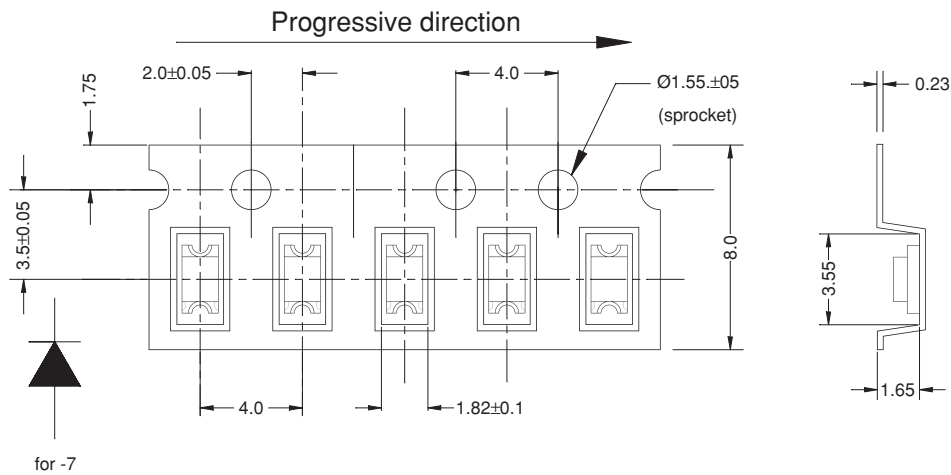
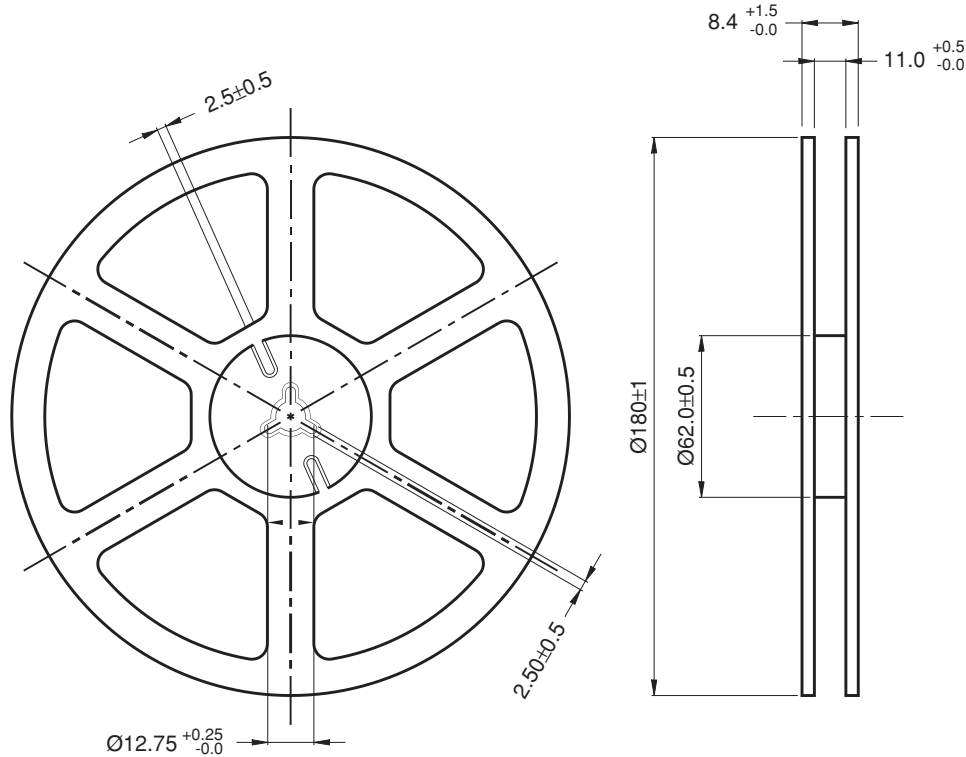
RECOMMENDED IR REFLOW SOLDERING PROFILE



QTLP650C-2 / QTLP650D-2 HER
 QTLP650C-4 / QTLP650D-4 Green
 QTLP650C-B Blue

QTLP650C-3 / QTLP650D-3 Yellow
 QTLP650C-7 / QTLP650D-7 AlGaAs Red

TAPE AND REEL DIMENSIONS



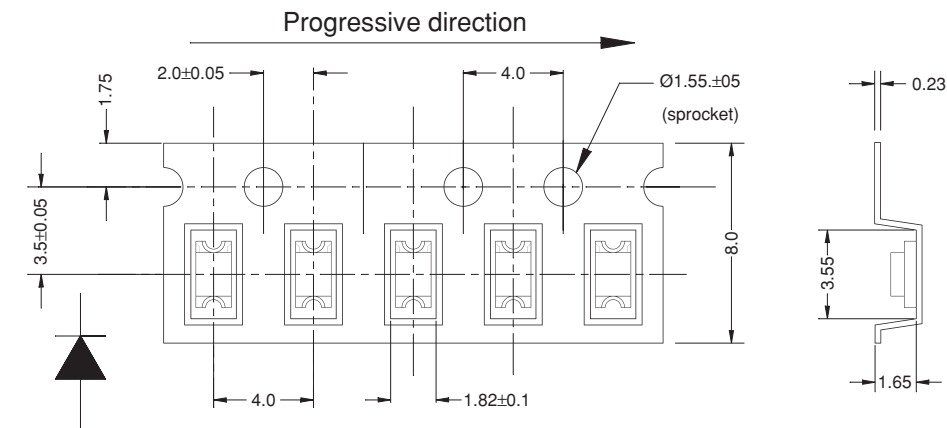
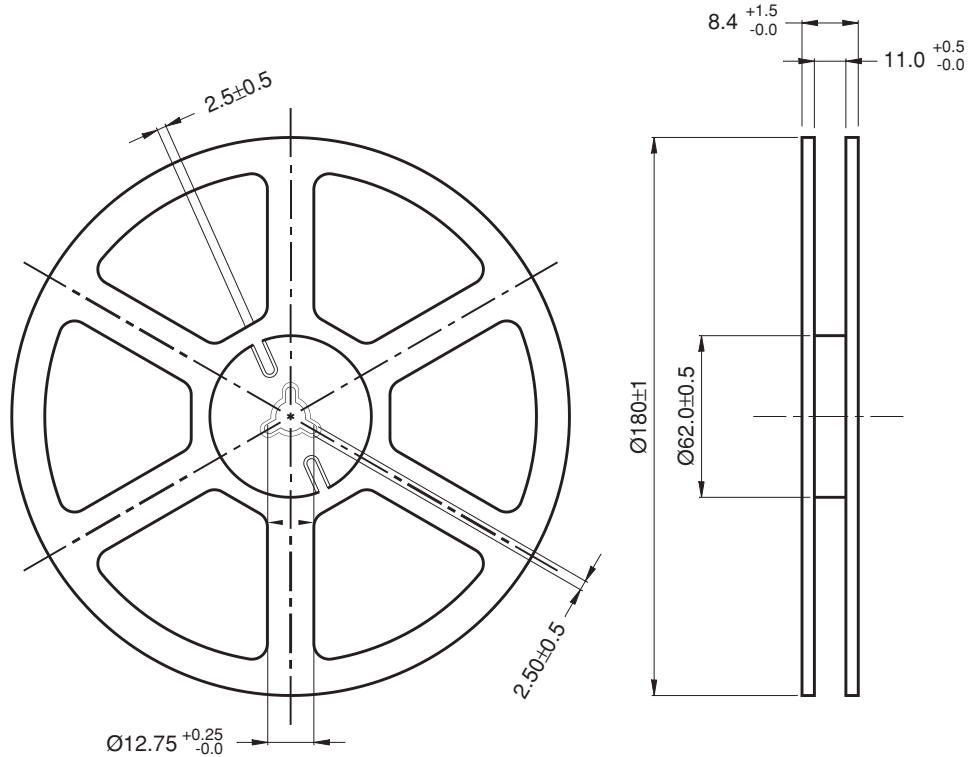
Polarity

Dimensional tolerance is ± 0.1 mm unless otherwise specified
 Angle: ± 0.5
 Unit: mm
 Polarity marks on opposite sprocket side.

QTLP650C-2 / QTLP650D-2 HER
QTLP650C-4 / QTLP650D-4 Green
QTLP650C-B Blue

QTLP650C-3 / QTLP650D-3 Yellow
QTLP650C-7 / QTLP650D-7 AlGaAs Red

TAPE AND REEL DIMENSIONS



for -2, -3, -4 and -B

Polarity

Dimensional tolerance is ± 0.1 mm unless otherwise specified

Angle: ± 0.5

Unit: mm

Polarity marks on the sprocket side.

QTLP650C-2 / QTLP650D-2 HER

QTLP650C-3 / QTLP650D-3 Yellow

QTLP650C-4 / QTLP650D-4 Green

QTLP650C-7 / QTLP650D-7 AlGaAs Red

QTLP650C-B Blue

DISCLAIMER

FAIRCHILD SEMICONDUCTOR RESERVES THE RIGHT TO MAKE CHANGES WITHOUT FURTHER NOTICE TO ANY PRODUCTS HEREIN TO IMPROVE RELIABILITY, FUNCTION OR DESIGN. FAIRCHILD DOES NOT ASSUME ANY LIABILITY ARISING OUT OF THE APPLICATION OR USE OF ANY PRODUCT OR CIRCUIT DESCRIBED HEREIN; NEITHER DOES IT CONVEY ANY LICENSE UNDER ITS PATENT RIGHTS, NOR THE RIGHTS OF OTHERS.

LIFE SUPPORT POLICY

FAIRCHILD'S PRODUCTS ARE NOT AUTHORIZED FOR USE AS CRITICAL COMPONENTS IN LIFE SUPPORT DEVICES OR SYSTEMS WITHOUT THE EXPRESS WRITTEN APPROVAL OF THE PRESIDENT OF FAIRCHILD SEMICONDUCTOR CORPORATION. As used herein:

1. Life support devices or systems are devices or systems which, (a) are intended for surgical implant into the body, or (b) support or sustain life, and (c) whose failure to perform when properly used in accordance with instructions for use provided in the labeling, can be reasonably expected to result in a significant injury of the user.
2. A critical component in any component of a life support device or system whose failure to perform can be reasonably expected to cause the failure of the life support device or system, or to affect its safety or effectiveness.

Looking for pricing, stock, or lifecycle information?

Click below to explore more details on WIN SOURCE:

 [View QTLP650D3TR on WIN SOURCE](#)

 [ON Semiconductor](#) Information

Optimize Your Supply Chain with WIN SOURCE Solutions

-  Global Sourcing Solution
-  Obsolete Management
-  Cost Control Management
-  Shortage Management
-  Alternative Solution
-  Excess Inventory Management