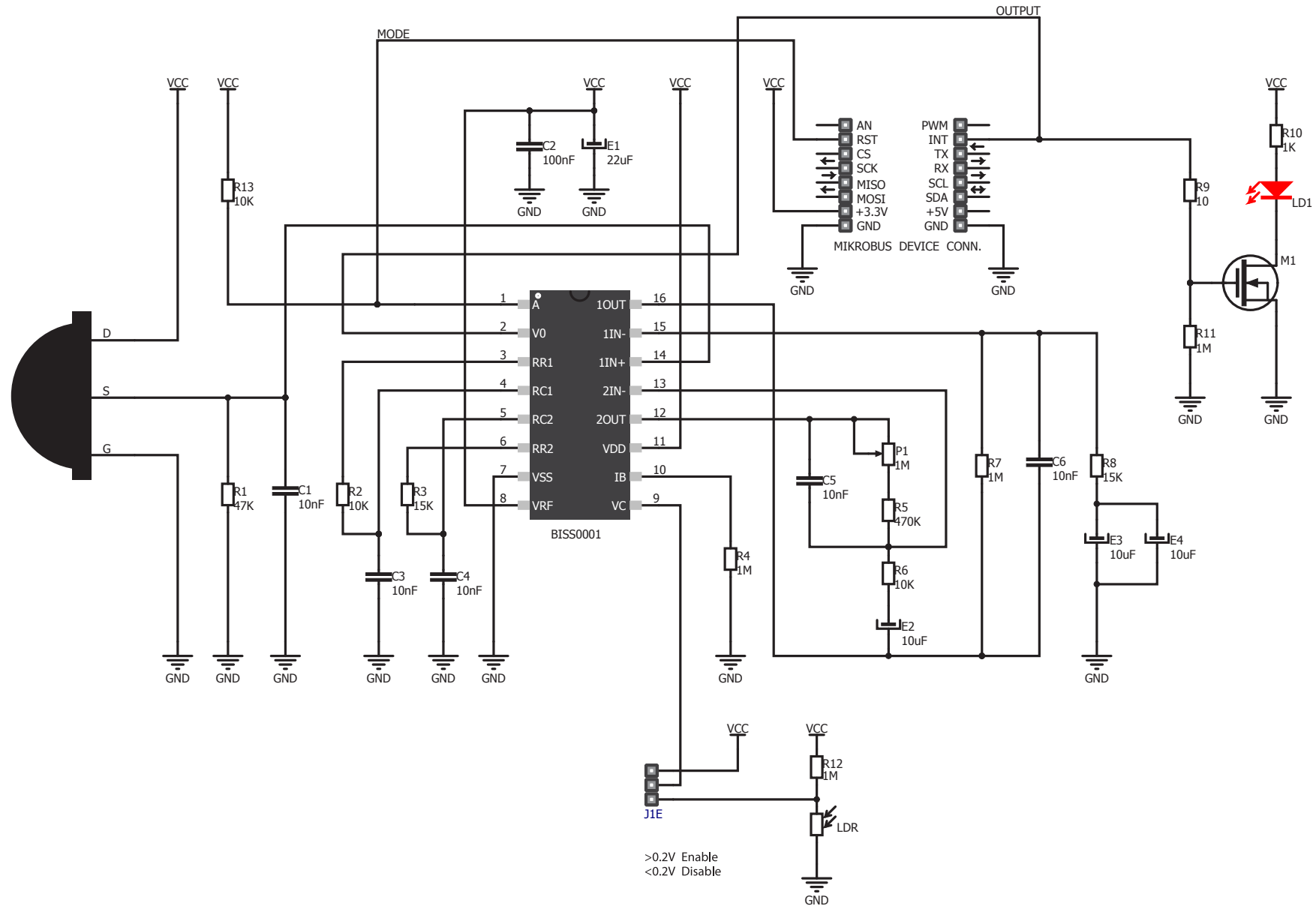




THE DATASHEET OF MIKROE-1589



MOTION click schematic v101



www.mikroe.com

Looking for pricing, stock, or lifecycle information?

Click below to explore more details on WIN SOURCE:

 [View MIKROE-1589 on WIN SOURCE](#)

 [MikroElektronika Information](#)

Optimize Your Supply Chain with WIN SOURCE Solutions

-  Global Sourcing Solution
-  Obsolete Management
-  Cost Control Management
-  Shortage Management
-  Alternative Solution
-  Excess Inventory Management