

PI3DPX1202A

Low power DisplayPort 1.2 Redriver with DDC/AUX CH Switch

Description

PI3DPX1202A is DisplayPort 1.2 standard compliant, very low power DP Redriver.

The device can read the Aux-channel Link Training (LT) Swing and Pre-emphasis data between Transmitter and Receiver, configure the output swing / Pre-emphasis, and automatically calculates EQ based on Swing/Pre-emphasis LT values through the built-in Aux listener. EQ can program by the I2C serial interface.

The device can reduce signal jitter caused by transmission line effects, and compensate for the PCB-related frequency and switching-related loss to provide optimum DP performance between the link.

Features

- ➔ Dual mode DisplayPort Redriver, DP 1.2 Specification compliant
- ➔ Support all 1.62 / 2.7 / 5.4 Gbps data rate with DDC/ Aux signal switching
- ➔ High speed inputs with internal 50 Ohm pull-down
- ➔ Ultra Low-power design
- ➔ Dual mode DisplayPort Input/Output with TMDS clock Frequencies up to 340 MHz
- ➔ Aux Listener support link training and configure output level, pre-emphasis setting during link initialization. Aux Listener supports "sink Request test mode"
- ➔ Pseudo-adaptive equalization based on signal level and pre-emphasis setting in Aux register
- ➔ CNTRL provides pin control EQ, Output Voltage Swing and Pre-Emphasis
- ➔ DP and TMDS output mode selection with Cable Detection pins
- ➔ Support Hot Plug Detect and Cable Detect function
- ➔ Individual lane power down automatically when no DP signal present
- ➔ DP redriver enter power down state to reduce current consumption when sink device deserted
- ➔ Power Supply : 3.3V

- ➔ ESD HBM protection 2kV
- ➔ Package: 48-pin TQFN (7x7mm)

Typical Applications

- ➔ Notebook, AIO and Desktop PCs
- ➔ Graphic Cards

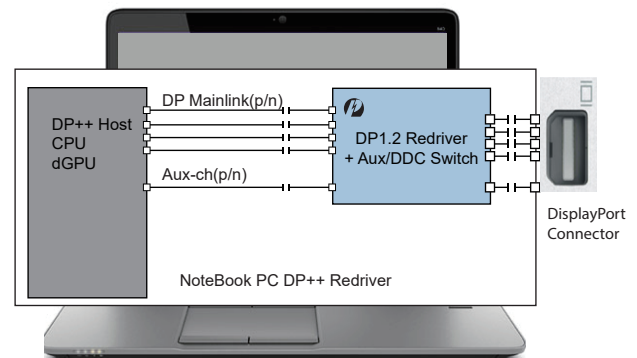


Figure: NB Application Block Diagram

Ordering Information

Ordering Code	Package Code	Package Type
PI3DPX1202A2 ZBE(X)	ZB	3.3V only power, Pb-free & Green, 48-pin TQFN, Tray(Tape/Reel)
PI3DPX1202A2 ZBIEX	ZB	Industrial Temperature 3.3V only power, Pb-free & Green, 48-pin TQFN, Tape/Reel
PI3DPX1202A1 ZBE(X)	ZB	3.3V only power, Pb-free & Green, 48-pin TQFN, Tray(Tape/Reel)

Suffix: I = Industrial Temperature, E = Pb-free and Green, X = Tape/Reel.

2. General Information

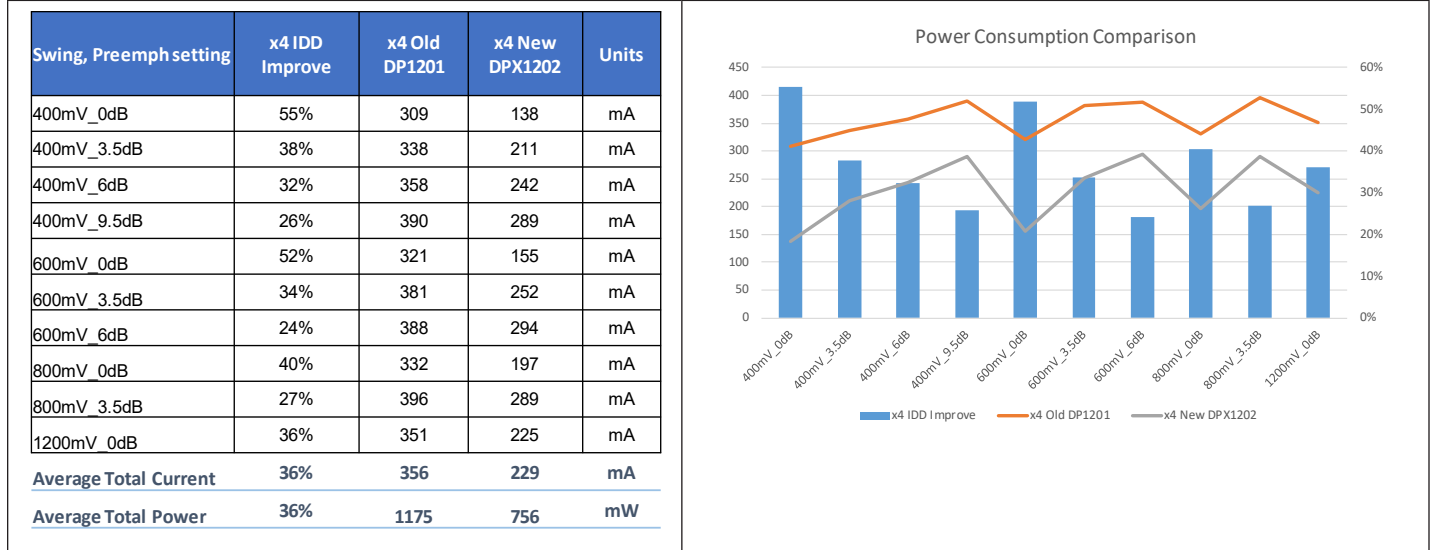
2.1 Revision History

Revision	Changes
Mar 2017	Release. Always Automatic EQ control through Aux channel listener or I2C programmable control mode support
Apr 2017	Ch3: Functional description to simplify. Ch4: Min temp changed 0 to -40 deg C for I-temp support. ICC measurement data updated with different Pre-emphasis and Voltage swing setting condition. Ch5: Add Aux-listener redriver latency information & power mW comparison data
May 2017	Ch3: Improved Functional description
Jun 2017	Power-up / Reset timing added in functional session Eye waveforms by Pre channel length added in application session

2.2 Similar Products Selection Guide

	PI3DPX1202A2	PI3DPX1202A1	PI3EQXDP1201	PI3DPX1203B
Version	DP 1.2, DP++ 1.2	DP 1.2, DP++1.2	DP 1.2, DP++1.2	DP 1.4, DP++ 1.4
Recommendation	New DP 1.2 Design Power, BOM sensitive system	PI3EQXDP1201 Pin-to-pin replacement	Not recommend	Variable Frame Rate application, latency critical system DP1.4 Data Rate system
Redriver Type	Limiting-type Redriver, Depend Aux listener for automatic Device setting control	Same as PI3DPX1202A1	Same as PI3DPX1202A1	Linear-type Redriver No need Aux listener for Automatic Device setting control
EQ mode	Auto, I2C and Fixed EQ setting	Auto EQ, I2C setting only	Auto, I2C and Fixed EQ setting	EQ setting 4-bit with Pin or I2C mode.
Auto_EQ pin	Auto EQ pin: Tri-state mode to control Auto EQ/ Fixed EQ and I2C mode 0: Disable 1: Enable M: Pin-control EQ mode	No Auto EQ pin control pin. Internally Pull-Up to VDD for always for Pin-to-Pin with PI-3EQXDP1201	Internal 100kΩ pull up. 0 = Fixed EQ 1 = Auto EQ	None
New Features	Low-power design 136mA @ 400mV, 0dB setting. Increase Aux Listener FIFO size. Drop-in Pin out compatible with PI3EQXDP1201.		300mA @ 400mV, 0dB setting	Latency Free, Not blocking linked channels and boost Receiver DFE performance
Availability	Production	Production	EOL	Production

2.3 Power Consumption Comparison



2.4 Output Eye Waveforms with different Pre-channel length

Output Eye Opening with Input Equalization, 5.4 Gbps, Vdd=3.3V, 25C with PRBS 2⁷-1 pattern, Input/Output Swing=800mVd

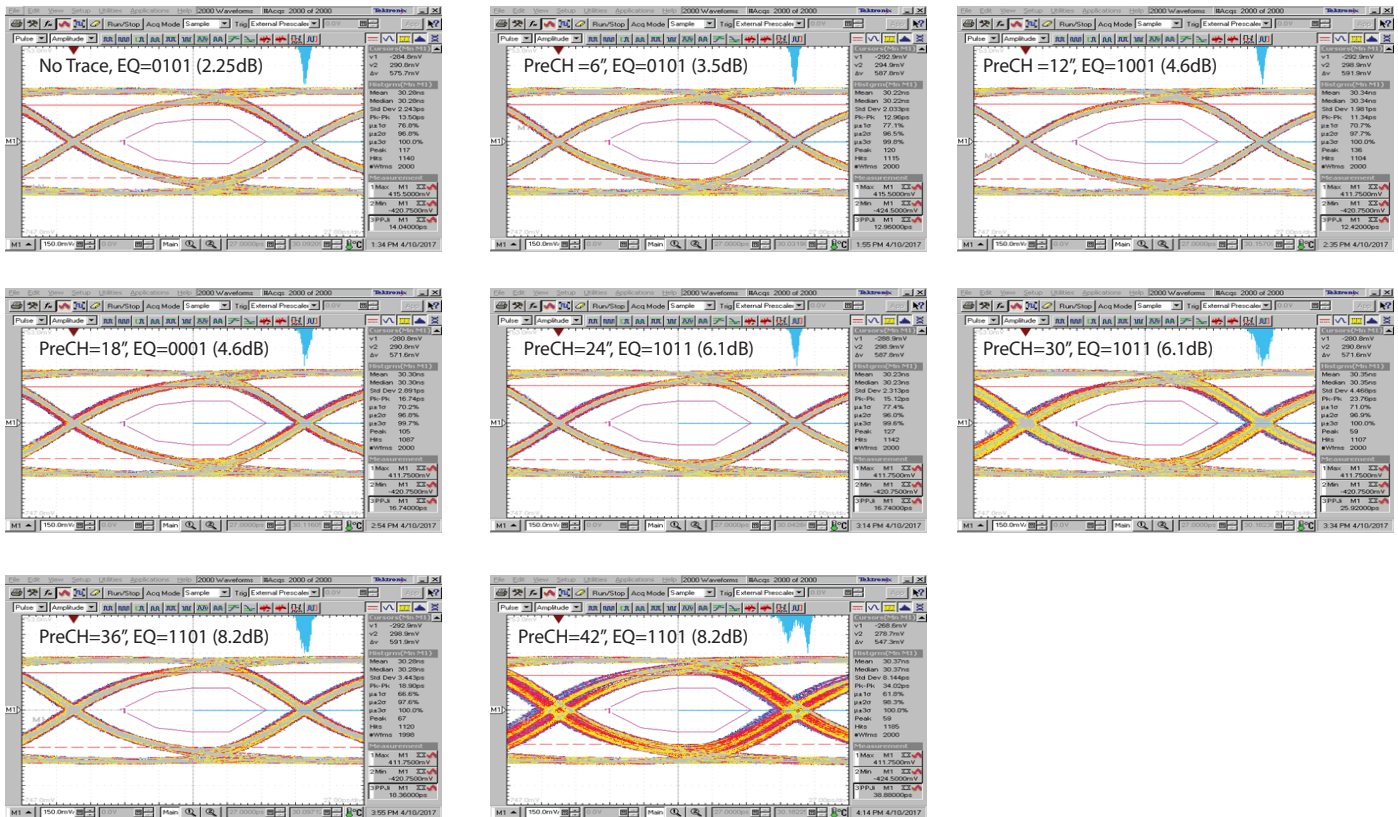


Figure 2-1: Pre-channel length/insertion loss and EQ compensation

2.5 Related Products

Part Numbers	Products Description
Retimers	
PI3HDX2711B	HDMI 2.0 and DP++ Retimer (Jitter Cleaner)
PI3HDX711B	HDMI 1.4 and DP++ ReTimer (Jitter Cleaner)
Redrivers	
PI3DPX1203B	DisplayPort 1.4 Redriver for Source/Sink/Cable Application, Linear-type
PI3HDX1204B1	HDMI 2.0 Redriver (DP++ Level Shifter), High EQ, place near to the source-side, Limiting type
PI3HDX1204E	HDMI 2.0 Linear Redriver (DP++ Level Shifter) , Link transparent, place near to the sink-side
PI3DPX1207B	DisplayPort 1.4 Alt Type-C Redriver, 8.1 Gbps and USB3.1 10 Gbps, Link Transparent
PI3DPX1202A	Low Power DisplayPort 1.2 Redriver with built-in AUX Listener, Limiting-type
PI3HDX511F	High EQ HDMI 1.4b Redriver and DP++ Level Shifter for Sink/Source Application, Limiting-type
Active Switches & Splitters	
PI3DPX1205A	DisplayPort 1.4 Alt Type-C Mux Redriver, 8.1 Gbps and USB3.1 10 Gbps, Link Transparent
PI3HDX231	HDMI 2.0 3:1 ports Mux Redriver, Linear-type
PI3HDX414	HDMI 1.4b 1:4 Demux Redriver & Splitter for 3.4 Gbps Application, Limiting-type
PI3HDX412BD	HDMI 1.4b 1:2 Demux Redriver & Splitter for 3.4 Gbps Application, Limiting-type
PI3HDX621	HDMI 1.4 Redriver 2:1 Active Switch with built-in ARC and Fast Switching support, Limiting-type

2.6 Product Status Definition

Product Status		Definition
(1) Advanced Information	In Design	Datasheet contains the design specifications for product development. Specifications may change in any manner without notice.
(1) Preliminary	Engineering Samples	Datasheet contains preliminary data; supplementary data will be published at a later date. Diodes Incorporated reserves the right to make changes at any time without notice to improve design.
(2) No Identification Needed	Full Production	Datasheet contains final specifications. Diodes Incorporated reserves the right to make changes at any time without notice to improve the design.
(3) Obsolete	Not In Production	Datasheet contains specifications on a product that is discontinued by Diodes Incorporated. The datasheet is for reference information only.

Contents

1. Product Summary	1
2. General Information	2
2.1 Revision History.....	2
2.2 Similar Products Selection Guide.....	2
2.3 Power Consumption Comparison	3
2.4 Output Eye Waveforms with different Pre-channel length	3
2.5 Related Products	4
2.6 Product Status Definition	4
3. Package Pin-out Information	8
3.1 Package Pin-out.....	8
3.2 Pin Description	10
4. Functional Description	12
4.1 Block Diagram	12
4.2 Function Description.....	13
4.3 SMBus Registers.....	19
4.4 DisplayPort AUX Listener	20
4.5 DPCD Aux Registers	23
4.6 SMBus Programming	28
5. Electrical Specification	29
5.1 Absolute Maximum Ratings	29
5.2 Recommended Operating Conditions.....	29
5.3 Power Dissipation.....	30
5.4 Electrical Characteristic	31
6. Application	34
6.1 Application Circuit Diagrams	34
6.2 PCB Layout Guideline.....	36
6.3 DisplayPort 1.2 Test Report	43
7. Mechanical/Packaging	45
7.1 Package Mechanical Outline.....	45
7.2 Part Marking Information.....	47
7.3 Tape & Reel Materials and Design	48
8. Important Notice	51

Figures

Figure 2-1: Pre-channel length/insertion loss and EQ compensation	3
Figure 3-1: PI3DPX1202A1 Package Pin-out	8
Figure 3-2: PI3DPX1202A2 Package Pin-out	9
Figure 4-1: Functional Block Diagram.....	12
Figure 4-2: Power up timing Sequence	13
Figure 4-3: Internal power up timing sequence	13
Figure 4-4: Reset control from External Capacitor or GPO pin.....	14
Figure 4-5: Power up sequence flow chart	15
Figure 4-6: Sink Test Request Transaction in Aux Link Training	21
Figure 5-1: DisplayPort Main Link Test Circuit.....	32
Figure 5-2: DisplayPort Main Link Intra-Skew Measurement.....	33
Figure 5-3: Rising and Falling Time Definition.....	33
Figure 6-1: DP++ Source Application with combined Aux/DDC Channels.....	34
Figure 6-2: DP Source Application with separate Aux/DDC Channels	35
Figure 6-3: Decoupling Capacitor Placement Diagram	37
Figure 6-4: Trace Width and Clearance of Micro-strip and Strip-line	38
Figure 6-5: 4-Layer PCB Stack-up Example	39
Figure 6-6: 6-Layer PCB Stack-up Example	39
Figure 6-7: Stitching Capacitor Placement	40
Figure 6-8: Layout Guidance of Matched Differential Pair	40
Figure 6-9: Layout Guidance of Bends.....	41
Figure 6-10: Layout Guidance of Shunt Component.....	41
Figure 6-11: Layout Guidance of Series Component.....	41
Figure 6-12: Layout Guidance of Stitching Via.....	42
Figure 6-13: DisplayPort Test Set-up.....	43
Figure 6-14: DisplayPort 1.2 Compliance Test Report	44
Figure 7-1: Package TQFN-48 (ZB) Mechanical Outline Dimension	45
Figure 7-2: TQFN-48 (ZB) Thermal Via Pad Area	46
Figure 7-3: General Part marketing information.....	47
Figure 7-4: Tape & Reel label information.....	48
Figure 7-5: Tape leader and trailer pin 1 orientations	48
Figure 7-6: Standard embossed carrier tape dimensions.....	49

Tables

Table 4-1: DP Channel Power down State..... 16

Table 4-2: EQBAND and EQ[2:0] Setting..... 17

Table 4-3: EQ Setting 17

Table 4-4: EQ Setting 17

Table 4-5: EQ Setting 18

Table 4-6: Output Swing Setting 18

Table 4-7: Output Swing Setting..... 18

Table 4-8: Output Pre-emphasis Setting..... 18

Table 4-9: Output Pre-emphasis Setting..... 18

Table 4-10: SMBUS Register 0x00 & 0x01 Definition 19

Table 4-11: Sink Test Request Acknowledgement 20

Table 6-1: CTS Trace card insertion loss information..... 43

Table 7-1: Constant Dimensions..... 49

Table 7-2: Variable Dimensions 49

Table 7-3: Reel dimensions by tape size..... 50

3. Package Pin-out Information

3.1 Package Pin-out

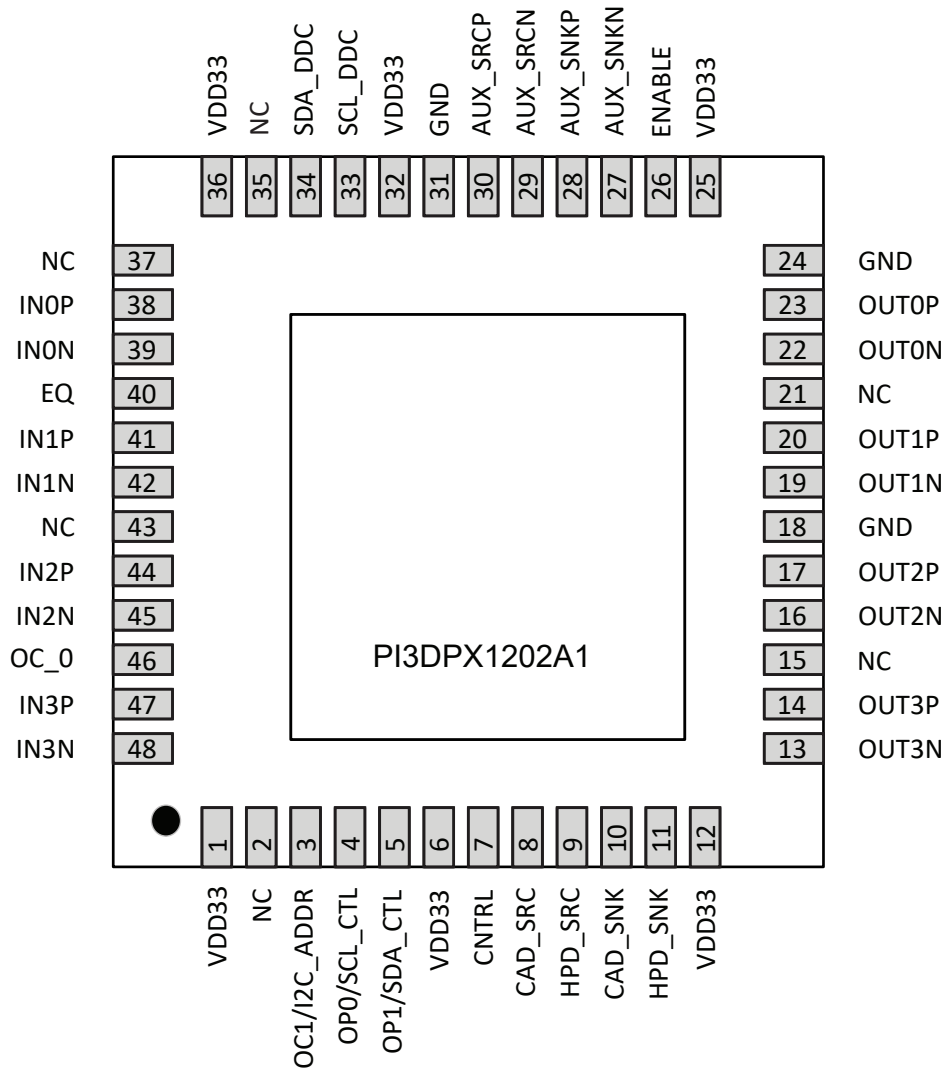


Figure 3-1: PI3DPX1202A1 Package Pin-out

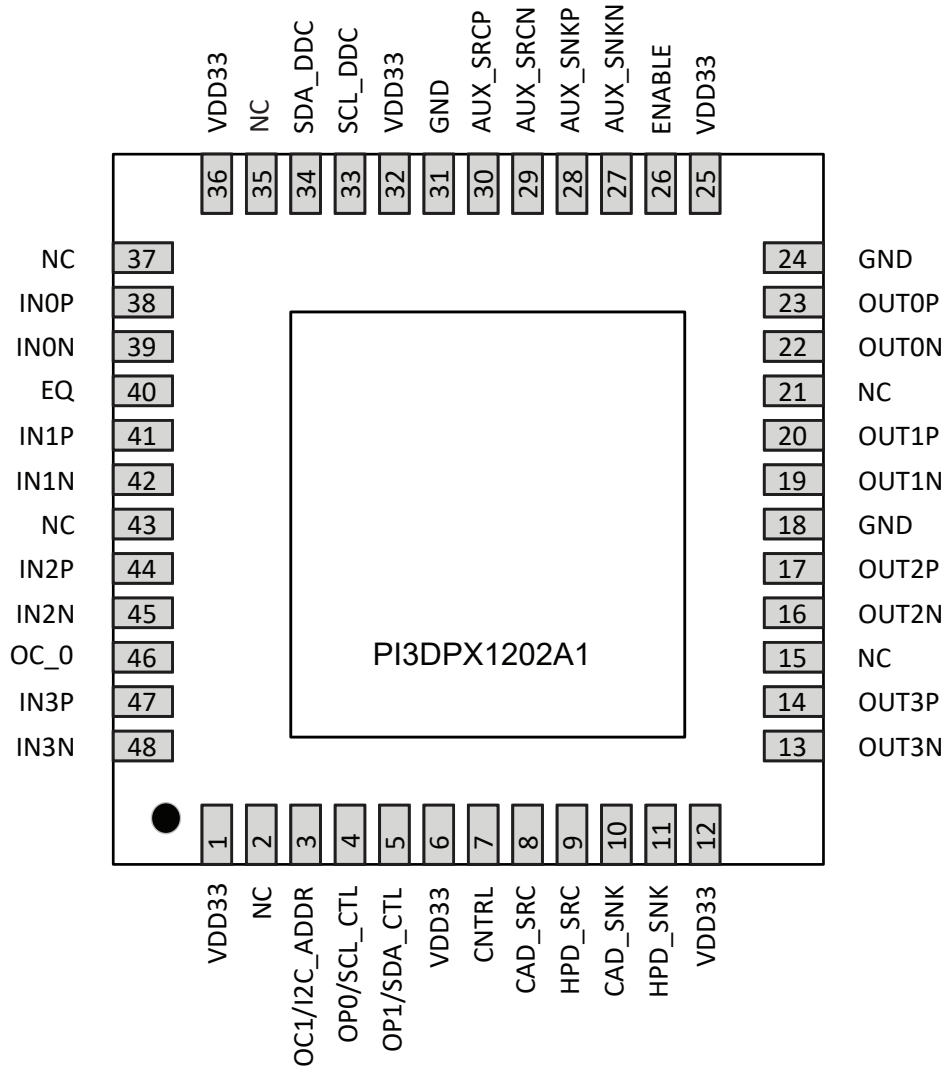


Figure 3-2: PI3DPX1202A2 Package Pin-out

3.2 Pin Description

Pin #	Pin Name	I/O	Description
35	AUTO_EQ (PI3DPX1202A2)	Input	Auto EQ Selection pin. Auto EQ has 3 modes. EQ (Pin 40) can select one of the Auto EQ modes. This pin is internally biased to 50% of VDD33 ($M = VDD/2$). "1": Enable "0": Disable "M": Please refer to the Functional Truth table
35	NC (PI3DPX1202A1)	NC	Non connection pin. Internally Pull-up tied to 3.3V VDD. This pin does not bond-out to package.
1	VDD33	Power	3.3V power supply
2	NC	NC	Do Not Connect. Leave this pin floating.
3	OC1/I2C_ADDR	Shared	Shared pin. Pulled-up internally with 100 k Ω "I2C_ADDR": SMBus control address pin "OC1": Voltage Swing control bit 1
4	OP0/SCL_CTL	Shared	Shared pin. Internally pulled-up with 100 k Ω "SCL_CTL": SMBus Clock "OP0": Pre-emphasis control bit 1
5	OP1/SDA_CTL	Shared	Shared pin. Internally pulled-up with 100 k Ω "SDA_CTL": SMBus Data "OP1": Pre-emphasis control bit 0
6	VDD33	Power	3.3V power supply
7	CNTRL	Input	Primary Control Pin for Auto-configuration or Fine-tuning boost mode "0": SMBus mode "M": Aux listener mode (Default) "1": Pin strap mode.
8	CAD_SRC	Output	Cable Adapter Detection pin from source side "0": no cable adapter; enable DP redriver mode with AUX listening and link training active "1": Installed cable adapter; enable TMDS redriver mode and disable AUX interception
9	HPD_SRC	Output	Hot Plug detect pin to source-side. 3.3V CMOS output. Active High
10	CAD_SNK	Input	Cable detect pin from sink-side. 1M Ω pull-down resistor must be connected for proper cable detection
11	HPD_SNK	Input	Hot Plug Detect pin from the sink-side. Internally 200 k Ω Pull-down.
12	VDD33	Power	3.3V power supply
13	OUT3N	Output	Main Link 3 data 100 Ω Differential negative output.
14	OUT3P	Output	Main Link 3 data 100 Ω Differential positive output
15	NC	NC	Do Not Connect
16	OUT2N	Output	Main Link 2 data 100 Ω Differential negative output
17	OUT2P	Output	Main Link 2 data 100 Ω Differential positive output
18	GND	Ground	Ground
19	OUT1N	Output	Main Link 1 data 100 Ω Differential negative output

Pin #	Pin Name	I/O	Description
20	OUT1P	Output	Main Link 1 data 100 Ω Differential positive output
21	NC	NC	Do Not Connect
22	OUT0N	Output	Main Link 0 data 100 Ω Differential negative output
23	OUT0P	Output	Main Link 0 data 100 Ω Differential positive output
24	GND	Ground	Ground
25	VDD33	Power	3.3V power supply
26	ENABLE	Input	Enable pin. Pulled-up internally with 100 kΩ "0"= Power down "1"= Enable. Normal operation
27	AUX_SKNK	I/O	AUX negative channel connected to DP sink device
28	AUX_SNKP	I/O	AUX positive channel connected to DP sink device
29	AUX_SRCN	I/O	AUX negative channel connected to DP source device
30	AUX_SRCP	I/O	AUX positive channel connected to DP source device
31	GND	Ground	Ground
32	VDD33	Power	3.3V power supply
33	SCL_DDC	I/O	DDC clock channel from source-side when CAD_SNK=1
34	SDA_DDC	I/O	DDC Data channel from source-side when CAD_SNK=1
36	VDD33	Power	3.3V power supply
37	NC	NC	Do Not Connect
38	IN0P	Input	Main Link 0 data 100 Ω Differential positive input
39	IN0N	Input	Main Link 0 data 100 Ω Differential negative input
40	EQ	Input	EQ selection pin. This pin is internally biased to 50% of VDD33. When AUTO_EQ pin = 0, EQ pin can adjust EQ in the fixed pin mode
41	IN1P	Input	Main Link 1 data 100 Ω differential positive input
42	IN1N	Input	Main Link 1 data 100 Ω differential negative input
43	NC	NC	NC
44	IN2P	Input	Main Link 2 data 100 Ω differentia positive input
45	IN2N	Input	Main Link 2 data 100 Ω differentia negative input
46	OC0	Input	Output Voltage Swing Control pin. Internally pull-up with 100 kΩ
47	IN3P	Input	Main Link 3 data 100 Ω differential positive input
48	IN3N	Input	Main Link 3 data 100 Ω differential negative input
EPAD	EPAD	Ground	Tied to Ground

4.2 Function Description

Power up operation Timing

After ENABLE signal is properly set, power up timing sequence complete. ENABLE signal from controller must be LOW until power supply become stable.

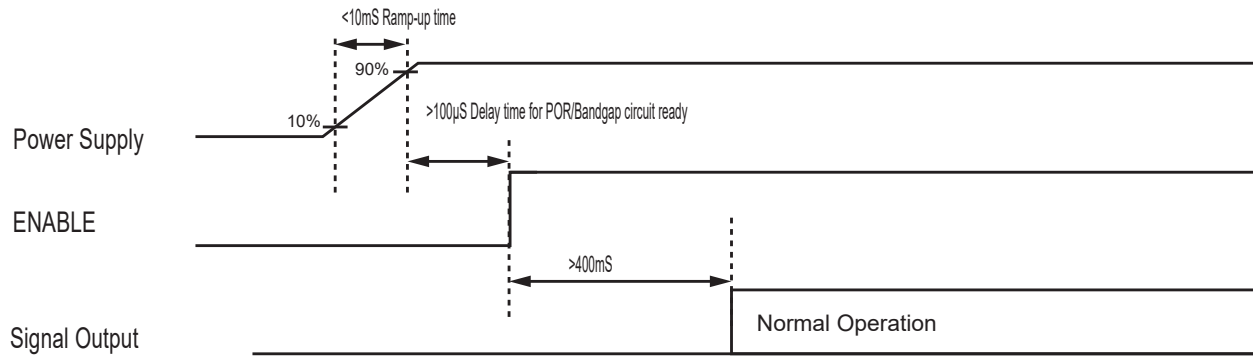


Figure 4-2: Power up timing Sequence

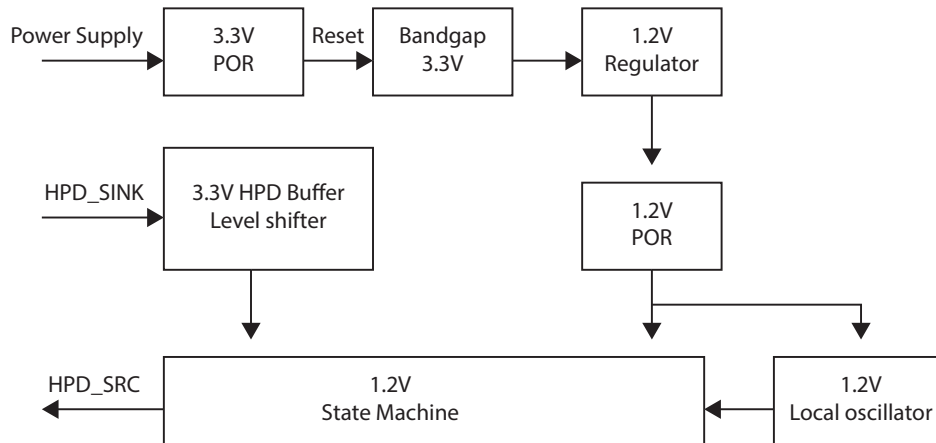


Figure 4-3: Internal power up timing sequence

Reset Implementation

When ENABLE is Low, the device is power-down mode and output are high impedance. It is critical to transition the ENABLE after the power supply VDD has reached the minimum recommended operation voltage. This can be achieved by the control signal GPO or by an external capacitor connected to GND.

To insure properly Reset, the ENABLE pin must be de-asserted for at least 100µS before asserted, and must be reprogrammed in I2C programming mode. When using external capacitor, the size of the cap value depends on the power up VDD supply ramp. Larger value results in a slower ramp-up time. Consider 0.1µF capacitor as a reasonable first estimate.

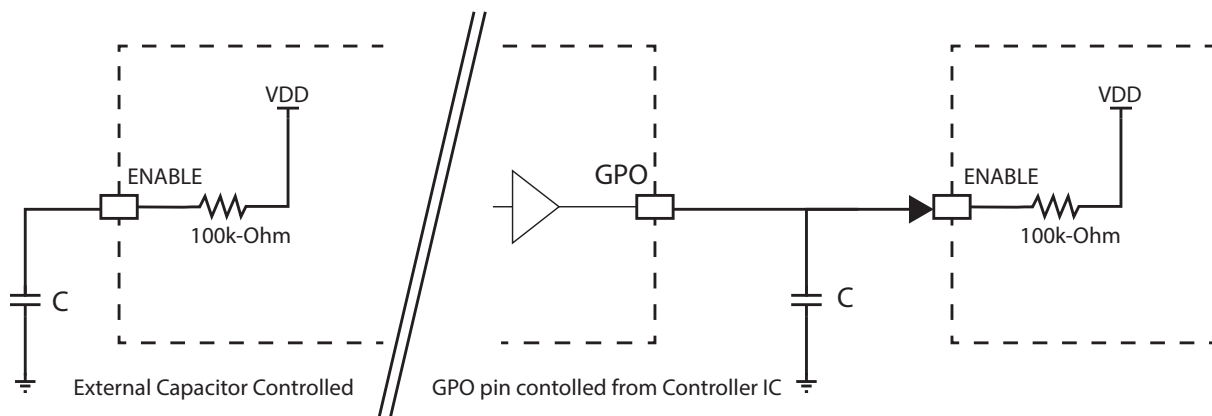


Figure 4-4: Reset control from External Capacitor or GPO pin

Power-up/down and Hot Plug Detect (HPD)

Following power on, state machine enter Reset State. Chip is powered down. HPD startup oscillator and Bandgap and Digital VDD regulator is on.

After Power-On-Reset (POR) de-asserted, state machine enter "Low Power Mode 1" and then 2-ms later enter "Low Power Mode 2" and monitor HPD_SINK.

When HPD_SINK is asserted, the state will change from "Low Power State 2" to "Active state". In Active stage, 1.2V regulator is turned on. When 1.2V POR detects valid voltage, RX and TX section of the channel will power on.

In Active state, if HPD_SINK=0, then it will go to wait state and initiate debounce timer, if HPD_SINK is still=0 after 300ms, this signal a HPD reset and the state machine goes to the "Low Power mode 2" state. If HPD_SINK reverts back to 1 (High) within 300ms, then the controller will return active state. All circuits blocks are active in both active and wait state.

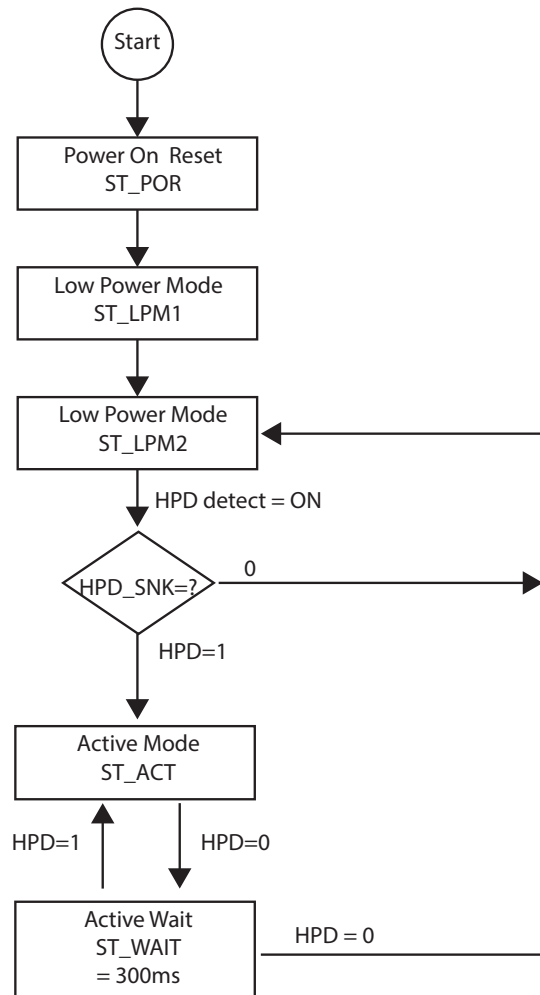


Figure 4-5: Power up sequence flow chart

Intelligent Power Management

The device intelligent signal detection scheme allows portions, or all of the IC, to be disabled for power savings. In DP mode, if only one or two lanes are active, the other lanes will be automatically powered off. If there is no input video signal the entire IC will be powered down. If there is no monitor detected, it can also automatically power down the IC. The power-down mode can also be entered using hard pin ENABLE, or through DPCD register (AUX link training).

Table 4-1: DP Channel Power down State

State POR	State POR Description	External Pins		Internal Signal	3.3-1.2V active channel regulator(1)	Active channel
		HPD	CAD _SNK	DPCD CS decode		
ST_POR	Power On Reset	X	X	0	Powered down	Powered down
ST_LPM1	Low Power Mode 1	X	X	0	Powered down	Powered down
ST_LPM2	Low Power Mode 2	X	X	0	Powered down	Powered down
ST_ACT	Active Mode	1	0	1	Active	Active
ST_ACT	Active Mode	1	0	0	Powered down	Powered down
ST_WAIT	Active Wait	1	0	1	Active	Active
ST_WAIT	Active Wait	1	0	0	Powered down	Powered down
ST_POR	Power On Reset	X	1	X	Powered down	Powered down
ST_LPM1	Low Power Mode 1	X	1	X	Powered down	Powered down
ST_LPM2	Low Power Mode 2	X	1	X	Powered down	Powered down
ST_ACT	Active Mode	1	1	1	Active	* Note (1)
ST_WAIT	Active Wait	1	1	1	Active	* Note (1)

Note:

(1) Inactive channel are always powered down.

Equalization/Swing/Pre-emphasis mode settings

Table 4-2: EQBAND and EQ[2:0] Setting

EQBAND, EQ[2:0] BYTE0 bit4, bit[7:5]	Gain@1.6Gbps dB	Gain @2.7Gbps dB	Gain@5.4Gbps dB
0000 (Default)	-0.384	-0.9281	-2.0054
0001	-0.3443	-0.849	-1.8155
0010	-0.2832	-0.7256	-1.5318
0011	-0.1959	-0.5518	-1.1537
0100	-0.1217	-0.4054	-0.8518
0101	-0.0347	-0.2355	-0.5169
0110	-0.0841	-0.00704	-0.0866
0111	0.2295	0.2698	0.4153
1000	0.3045	0.5198	0.8871
1001	0.4452	0.7885	1.4147
1010	0.6993	1.2611	2.2531
1011	1.1651	2.0748	3.5315
1100	1.67	2.8963	4.6837
1101	2.4082	4.0103	6.1106
1110	3.7438	5.8413	8.2595
1111	6.0652	8.6898	11.3532

Table 4-3: EQ Setting

when Auto_EQ = 1 (Refer to Table 4-2)

Pre-emphasis OP[1:0] Byte0 bit[3:2]	Pre-emphasis	Auto EQ mode 0 EQ = 0 Byte1 bit[3:2] = 00 EQBAND, EQ[2:0]	Auto EQ mode 1 EQ = M Byte1 bit[3:2] = 01 EQBAND, EQ[2:0]	Auto EQ mode 2 EQ = 1 Byte1 bit[3:2] = 11 EQBAND, EQ[2:0]
0 0	3.5dB	1010	1101	1111
0 1	6 dB	0111	1010	1101
1 0	9 dB	0011	0111	1011
1 1	0 dB	0000	0011	1001

Table 4-4: EQ Setting

when Auto_EQ = 0 (Refer to Table 4-2)

EQ	EQBAND, EQ[2:0]		
	1.62Gbps	2.7Gbps	5.4Gbps
0	0000	0000	0000
M	1100	1100	1100
1	1111	1111	1111

Table 4-5: EQ Setting

when Auto_EQ = M and CNTRL = M

CNTRL	EQBAND = OC0	EQ0 = OC1	EQ1 = OP0	EQ2 = OP1
M	(Refer to Table 4-2)			

Table 4-6: Output Swing Setting

in Register Programming Mode when CNTRL = 0 or in Pin Control Mode when CNTRL = 1

CNTRL	OC[1:0] Byte0 bit[1:0]	Output Swing	Comments
0/1	0 0	400mV	See Table 3.9: SMBUS Register 0x00 & 0x01 Definition
0/1	0 1	600mV	
0/1	1 0	1200mV (Default)	
0/1	1 1	800mV	

Table 4-7: Output Swing Setting

when CNTRL = M

CNTRL	CAD_SNK	Output Swing	Comments
M	0	Follow AUX listener	DP Mode
M	1	800mV	TMDS Mode

Table 4-8: Output Pre-emphasis Setting

in Register Programming Mode when CNTRL = 0 or in Pin Control Mode when CNTRL = 1

CNTRL	OP[1:0] Byte0 bit[3:2]	Output Pre-emphasis	
0 / 1	0 0	3.5dB	See Table 3-9: SMBUS Register 0x00 & 0x01 Definition
0 / 1	0 1	6dB (Default)	
0 / 1	1 0	9dB	
0 / 1	1 1	0dB	

Table 4-9: Output Pre-emphasis Setting

when CNTRL = M

CNTRL	CAD_SNK	Output Swing	Comments
M	0	Follow AUX listener	DP Mode
M	1	0 dB	TMDS Mode

4.3 SMBus Registers

The AUX register can be read/write using the SMBus input. When in AUX mode, the control of the registers is passed to AUX, writing the SMBUS as the same time should be avoided.

In TMDS mode setting (CAD_DET) = 1, external source can use SMBus to set the Equalization settings. EQ table can also be set by programming SMBus register 1.

SMBus is set to auto EQ mode 1 by default. ie. Reg0x01=00001101.

Table 4-10: SMBUS Register 0x00 & 0x01 Definition

SMBus Registers	Description	Default value	SMBus Access
0x00	EQ Control Select, when CNTRL= 0 with SMBus_reg 0x01 bit [1:0] bit[7]: EQ2 bit[6]: EQ1 bit[5]: EQ0 bit[4]: EQBAND is EQ group control register. Please refer Gain(dB) Control table Pre-emphasis control bit[3]: Control OP1 pin bit[2]: Control OP0 pin Swing control bit[1]: Control OC1 pin bit[0]: Control OC0 pin	06h	R/W
0x01	bit [7:4] Reserved bit [3:2] EQ control 00: EQ pin set Low 01: EQ pin set Middle 11: EQ pin set High bit [1:0] AUTO_EQ control 00: AUTO_EQ pin set Low 01: AUTO_EQ pin set Middle 11: AUTO_EQ pin set High	00h	R/W
0x02: 0x14	Reserved	00h	R/W

4.4 DisplayPort AUX Listener

DP AUX listener supports Native AUX CH Syntax. Mapping of SMBus onto AUX CH Syntax is not supported.

AUX listener monitor AUX communication from requester and replier for transactions and stored AUX communication , related to the link settings.

In AUX read/write request cycle, the AUX address compares with the following registers' address. When the addresses matches, data shall extract and store into the respective AUX Listener registers. Below registers will set during the link training sequence after the hot plug detection.

00100h Data Rate Register
 00101h LANE_COUNT_SET
 00103h - 00106h TRAINING_LANE0/1/2/3_SET
 00260h Sink Test request response
 00600h Power Down

The AUX listener supports Sink request Test sequence. After HPD IRQ event and DP source read 00201h AUX register and if bit 1 is high, the DP source will enter a Sink request test mode and initiate a sequence of AUX read request cycle. During the read cycle, data matching the following registers address are stored in the listener.

00206h ADJUST_REQUEST_LANE0_1
 00207h ADJUST_REQUEST_LANE2_3
 00218h Test Request
 00219h Test link rate
 00220h Test Lane count

After the read request cycle, the DP source will write 1 to Bit 0 register 00260h if the DP source enters sink request mode, or 1 to Bit 1 of register 00260h if the source declined the sink test request. The data stored in registers 002xx above will override the value set in 00101h to 00106h registers when the sink entered the Sink Test mode.

Table 4-11: Sink Test Request Acknowledgement

Table 4-12:

00260h	Mode	Buffer configuration outputs
xxxxxx00b	No action	00100 : 00106h
xxxxxx01b	Sink Test mode	00206h,00207h,00219h,00220h Override 00100,1,3,4,5,6h register settings
xxxxxx10b	Sink test mode declined	00100h : 00106h
xxxxxx11b	Not Legal code	00100h : 00106h

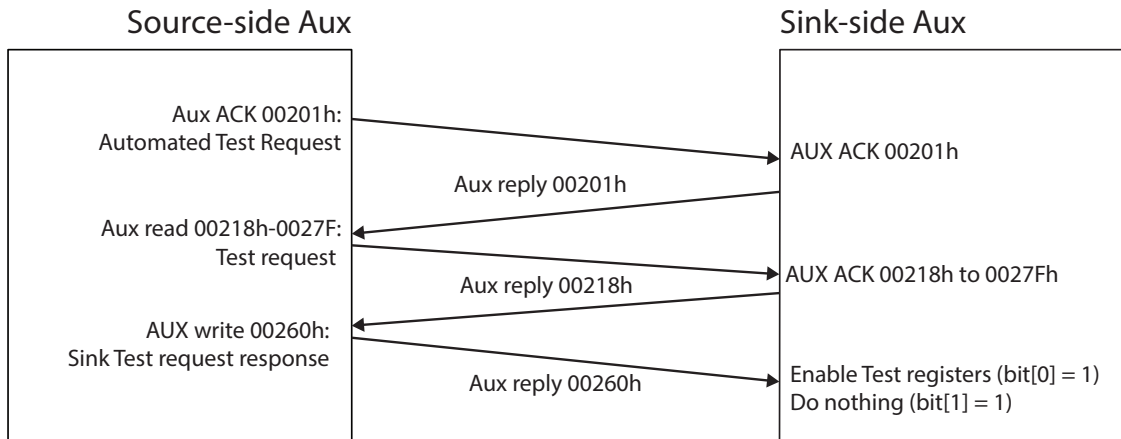


Figure 4-6: Sink Test Request Transaction in Aux Link Training

A complete two way AUX transaction is defined as one of the following

AUX write and Sink issue ACK reply:

From Source

Sync	Start/Start Pattern	4-bit cmd 1000	20-bit address
------	---------------------	----------------	----------------

From Sink ACK

Sync	Start bit	00000000	Stop
------	-----------	----------	------

AUX write and Sink issue NACK reply:

A data byte “M” must follow AUX NACK, “M” indicates the number of data bytes successfully written. When a Source Device is writing a DPCD address not supported by the Sink Device, the Sink Device shall reply with AUX NACK and “M” equal to zero.

From Source

Sync	Start bit	4-bit cmd 1000	20-bit adr	8-bit length	Data	Stop
------	-----------	----------------	------------	--------------	------	------

From Sink NACK

Sync	Start bit	00010000	8-bit data byte M	Stop
------	-----------	----------	-------------------	------

AUX Read and Sink issue ACK reply:

Ready to reply to Read request with data following. DisplayPort receiver may assert a STOP condition before transmitting the total number of requested data bytes when not all the bytes are available.

From Source

Sync	Start bit	4-bit cmd 1001	20-bit address	8-bit length	Stop
------	-----------	----------------	----------------	--------------	------

From sink ACK

Sync	Start bit	00000000	Data	Stop
------	-----------	----------	------	------

AUX Read and Sink issue NACK reply:

A Sink Device receiving a Native AUX CH read request for an unsupported DPCD address must reply with an AUX ACK and read data set equal to zero instead of replying with AUX NACK.

From Source

Sync	Start bit	4-bit cmd 1001	20-bit address	8-bit length	Stop
------	-----------	----------------	----------------	--------------	------

From Sink NACK

Sync	Start bit	00001000	data = 0	Stop
------	-----------	----------	----------	------

4.5 DPCD Aux Registers

DPCD Aux Register Definitions

SMBus Registers	AUX Registers	Description	Default value	DP Access
0x02	Link initialization field AUX operation : 00100h	<p>LINK_BW_SET : Main Link Bandwidth Setting=Value x 0.27Gbps per lane</p> <p>Bits 7:0 = LINK_BW_SET For DisplayPort version 1, revision 1a, only three values are supported. All other values are reserved.</p> <p>06h = 1.62 Gbps per lane 0Ah = 2.7 Gbps per lane 14h = 5.4 Gbps per lane</p> <p>The Source may choose any of the three link bandwidths as long as it does not exceed the capability of DisplayPort receiver as indicated in the receiver capability field.</p>	14h	R/W
0x03	Link initialization field AUX operation : 00101h	<p>LANE_COUNT_SET : Main Link Lane Count = Value</p> <p>Bits 4:0 = LANE_COUNT_SET For DisplayPort version 1 revision 1a, only the following three values are supported. All other values are reserved.</p> <p>1h = One lane 2h = Two lanes 4h = Four lanes</p> <p>For one-lane configuration, Lane0 is used. For 2-lane configuration, Lane0 and Lane1 are used. The source may choose any lane count as long as it does not exceed the capability of the DisplayPort receiver as indicated in the receiver capability field.</p> <p>For DPCD Ver.1.0: Bits 7:5 = RESERVED. Read all 0's.</p> <p>For DPCD Ver.1.1: Bits 6:5 = RESERVED. Read all 0's. Bit 7 = ENHANCED_FRAME_EN 0 = Enhanced Framing symbol sequence is not enabled. 1 = Enhanced Framing symbol sequence for BS, SR, CPBS, and CPSR is enabled. Applicable to SST mode only. A uPacket TX must set this bit to 1 when the uPacket RX has the ENHANCED_FRAME_CAP bit (Bit 7 of DPCD 00002h) set to 1 (with the exception of eDP operation).</p>	04h	R/W

SMBus Registers	AUX Registers	Description	Default value	DP Access
0x04	DPCD Lane 0 status Aux operation 00103h	<p>TRAINING_LANE0_SET Link Training Control_Lane0</p> <p>Bits1:0 = DRIVE_CURRENT_SET 00 – Training Pattern 1 w/ drive current level 1 01 – Training Pattern 1 w/ drive current level 2 10 – Training Pattern 1 w/ drive current level 3 11 – Training Pattern 1 w/ drive current level 4</p> <p>Bit2 = MAX_CURRENT_REACHED Set to 1 when the maximum driven current setting is reached.</p> <p>Note: Support of programmable drive current is optional. For example if there is only 1 level, then program Bits2:0 to 100 to indicate to the receiver that Level 1 is the maximum drive current. Support of independent drive current control for each lane is also optional.</p> <p>Bit4:3 = PRE-EMPHASIS_SET 00 = Training Pattern 2 w/o pre-emphasis 01 = Training Pattern 2 w/ pre-emphasis level 1 10 = Training Pattern 2 w/ pre-emphasis level 2 11 = Training Pattern 2 w/ pre-emphasis level 3</p> <p>Bit5 = MAX_PRE-EMPHASIS_REACHED</p>	00h	R/W
0x05	DPCD Lane 1 status Aux operation 00104h	<p>Lane setting for lane 1. The definition is the same as lane 0</p>	00h	R/W
0x06	DPCD Lane 2 status Aux operation 00105h	<p>Lane setting for lane 2. The definition is the same as lane 0</p>	00h	R/W
0x07	DPCD Lane 3 status Aux operation 00106h	<p>Lane setting for lane 3. The definition is the same as lane 0</p>	00h	R/W
0x08	00107h	<p>DOWNSPREAD_CTRL : Down-spreading control</p> <p>Bit 3:0 = RESERVED. Read all 0's</p> <p>Bits 4 = SPREAD_AMP Spreading amplitude 0 = No downspread 1 = Equal to or less than 0.5% down spread</p> <p>Bit 7:5 = RESERVED. Read all 0's.</p> <p>Note: Write 00h to declare to the receiver that there is no down-spreading. The modulation frequency must be in the range of 30kHz ~ 33kHz</p>	00h	R/W

SMBus Registers	AUX Registers	Description	Default value	DP Access
0x09	00201h	<p>DEVICE_SERVICE_IRQ_VECTOR</p> <p>Bit 0 = RESERVED for EMOTE_CONTROL_COMMAND_PENDING When this bit is set to 1, the Source Device must read the Device Services Field for REMOTE_CONTROL_COMMAND_PASS_THROUGH.</p> <p>Bit 1 = AUTOMATED_TEST_REQUEST When this bit is set to 1, the Source Device must read Addresses 00218h -0027Fh for the requested link test.</p> <p>Bit 2 = CP_IRQ This bit is used by an optional content protection system.</p> <p>Bit 3 = MCCS_IRQ This bit is used by an optional MCCS system in the Sink</p> <p>Bits 5:4 = RESERVED. Read all 0's.</p> <p>Bit 6 = SINK_SPECIFIC_IRQ Usage is vendor-specific.</p> <p>Bit 7 = RESERVED. Read 0.</p>	00h	Clearable read only. (Bit is cleared when '1' is written is written via an AUX CH write transaction.
0x0A	00206h	<p>ADJUST_REQUEST_LANE0_1 : Voltage Swing and Equalization Setting Adjust Request for Lane0 and Lane1</p> <p>Bits 1:0 = VOLTAGE_SWING_LANE0 00 = Level 0 01 = Level 1 10 = Level 2 11 = Level 3</p> <p>Bits 3:2 = PRE-EMPHASIS_LANE0 00 = Level 0 01 = Level 1 10 = Level 2 11 = Level 3</p>	00h	R
0x0B		<p>Bits 5:4 = VOLTAGE_SWING_LANE1 00 = Level 0 01 = Level 1 10 = Level 2 11 = Level 3</p> <p>Bits 7:6 = PRE-EMPHASIS_LANE1 00 = Level 0 01 = Level 1 10 = Level 2 11 = Level 3</p>		

SMBus Registers	AUX Registers	Description	Default value	DP Access
	00207h	ADJUST_REQUEST_LANE2_3 (Bit definitions as in ADJUST_REQUEST_LANE0_1)	00h	R
0x0C	00218h	TEST_REQUEST: Test requested by the Sink Device. All other values reserved. Bit 0 = TEST_LINK_TRAINING 0 = no link training test requested 1 = link training test requested. See TEST_LINK_RATE and TEST_LANE_COUNT for link rate and linkwidth requested respectively. Bit 1 = TEST_PATTERN 0 = no test pattern requested 1 = test pattern requested Bit 2 = TEST_EDID_READ 0 = no EDID read test requested 1 = EDID read test requested.	00h	
		Checksum of the last EDID block read is written to TEST_EDID_CHECKSUM. The source will also send a color square test pattern. For DPCD version 1.0: Bits 7:3 = RESERVED. Read all 0's. For DPCD version 1.1: Bit 3 = PHY_TEST_PATTERN Set = 1 to request the PHY test pattern as specified at address 00248h. Bits 7:4 = Reserved. Read as zeros.		
0x0D	00219h	TEST_LINK_RATE Bits 7:0 = TEST_LINK_RATE 06h = 1.62 Gbps 0Ah = 2.7 Gbps 14h = 5.4 Gbps	00h	R
0x0E	00220h	TEST_LANE_COUNT Bits 4:0 = TEST_LANE_COUNT 1h = one lane 2h = two lanes 4h = four lanes All other values reserved. Bits 7:5 = RESERVED. Read all 0's.	00h	R

SMBus Registers	AUX Registers	Description	Default value	DP Access
0x0F	00260h	<p>TEST_RESPONSE</p> <p>Bit 0 = TEST_ACK 0 = writing zero has no effect on TEST_REQ state 1 = positive acknowledgement of TEST_REQ. Clears TEST_REQ interrupt flag and indicates to the sink that the source has started requested test mode.</p> <p>Bit 1 = TEST_NAK 0 = writing zero has no effect on TEST_REQ state 1 = negative acknowledgement of TEST_REQ. Clears TEST_REQ interrupt flag and indicates to sink that source will not start requested test mode.</p> <p>Bit 2 = TEST_EDID_CHECKSUM_WRITE 0 = no write to TEST_EDID_CHECKSUM 1 = EDID checksum has been written to TEST_EDID_CHECKSUM</p> <p>Bits 7:3 = RESERVED. Read all 0's.</p>	00h	R/W
0x10	00600h	<p>Bit 1, 0</p> <p>0 1 - normal mode 1 0 - D3 power down state</p>	01h	R/W

4.6 SMBus Programming

SMBUS support Block Read, Block Write, Indexed Block Read and Indexed Block Write function. No Byte write function is supported. SMBUS has 20 internal registers. Only two registers are accessible by users.

SMBUS address is set to 0xAA or 0xA8 depending on the SMBUS_ADDR pin setting.

SMBus Address:

Bit 7	Bit 6	Bit 5	Bit 4	Bit 3	Bit 2	Bit 1 (I2C_ADDR pin 1-bit)	Bit 0
1	0	1	0	1	0	1'b=0 : 0xA8 address 1'b=1 : 0xAA address	R/ \overline{W}

SMBus Write Byte

Block Write

S	slave address	Wr	A	Command Code	A	Byte Count = N	A	Date Byte 0	A
				Date Byte 1	A	Date Byte 2	A	Date Byte 3	A
				Date Byte 4	A	Date Byte 5	A	Date Byte 6	A
				Date Byte 7	A	Date Byte 8	A		P

Indexed Block Write

S	slave address	Wr	A	Command Code	A	Byte Count = N	A	Date Byte 0	A
				Date Byte 1	A	Date Byte 2	A	Date Byte 3	A
				Date Byte 4	A	Date Byte 5	A	Date Byte 6	A
				Date Byte 7	A	Date Byte 8	A		P

Byte Write

S	slave address	Wr	A	Command Code	A	Byte	A	P

5. Electrical Specification

5.1 Absolute Maximum Ratings

Normal I/O supply voltage to ground potential.....	-0.5V to 4.0V
Supply Voltage Range 3.3V	-0.5V to 4.0V
DC Signal Voltage.....	-0.5V to VDD33 +0.5V
Output Current	-25mA to +25mA
Storage Temperature	-65 to +150°C
Junction Temperature	125°C
ESD HBM	±2000V
ESD CDM.....	±500V

Note:
 1. Stresses greater than those listed under MAXIMUM RATINGS may cause permanent damage to the device. This is a stress rating only and functional operation of the device at these or any other conditions above those indicated in the operational sections of this specification is not implied. Exposure to absolute maximum rating conditions for extended periods may affect reliability.

5.2 Recommended Operating Conditions

Symbol	Parameters	Min.	Typ.	Max.	Units
VDD33	3.3V Power Supply	3.0	3.3	3.6	V
T _A	Operating temperature	Commercial Part Number	0	70	°C
		Industrial Part Number	-40	85	
T _{CASE}	Case temperature			103.1	°C
V _{IH(HPD)}	High-level input voltage HPD_SNK	1.9		5.5	V
V _{IH}	High-level input voltage for device control signals		0.75		V
V _{IL}	Low-level input voltage for device control signals	0		0.8	V
Main Link					
V _{ID}	Peak to Peak input differential voltage	0.3		1.4	V _{pp}
DR	Data Rate			5.4	Gbps
C _{AC}	AC Coupling Capacitance	75		200	nF
R _{DIFF}	Differential output termination resistor	75	100	120	Ω
V _{O_TERM}	Output Termination Voltage	0		2	V
t _{SKEW}	Inter-pair Skew at the 5.4 Gbps Input			20	ps
Aux Channel Data					
V _{ID}	Input Differential Voltage	300		1400	mV _{pp}
DR _{AUX}	Data Rate Aux	0.8	1	1.2	Mbps
DR _{FAUX}	Data rate Fast Aux		720		Mbps
C _{AC}	Aux AC Coupling Capacitance	75		200	nF
V _{CM_SRC}	Aux Source common mode voltage CAD=VIL; measured on Aux source and sink before AC coupling caps	0		2000	mV

5.3 Power Dissipation

Symbol	Parameters	Condition	Min	Typ	Max	Units
I_{DD33}	3.3V Single supply @5.4Gbps, CAD_SNK = 0, HPD_SNK = 1	400 mV Swing, 0 dB Pre-emphasis		140		mA
		400 mV Swing, 9.5 dB Pre-emphasis		290		mA
		600 mV Swing, 0 dB Pre-emphasis		150		mA
		600 mV Swing, 6 dB Pre-emphasis		290		mA
		800 mV Swing, 0 dB Pre-emphasis		200		mA
		800 mV Swing, 3.5 dB Pre-emphasis		290		mA
		1200 mV Swing, 0 dB Pre-emphasis		226		mA
I_{SB}	3.3V Power down current	ENABLE pin Low (Turn off all function including band-gap)		130		uA

5.4 Electrical Characteristic

Control Pin ENABLE

Symbol	Parameters	Condition	Min.	Typ.	Max.	Units
V_{IH}	LVTTL input high voltage		2.4		VDD33	V
V_{IL}	LVTTL input low voltage		GND		0.8	V
I_{IH}	Input High-level current	$V_{IH} = VDD33$	-5		5	uA
I_{IL}	Input Low-level current	$V_{IL} = GND$	-50		-15	uA

HPD_SRC and HPD_SNK Pins

Symbol	Parameters	Condition	Min.	Typ.	Max.	Units
V_{IH}	LVTTL input high voltage		2.4		VDD33	V
V_{IL}	LVTTL input low voltage		$1/3 * VDD33$		$2/3 * VDD33$	V
I_{IH}	Input High-level current	$V_{IH} = VDD33$			40	uA
I_{IL}	Input Low-level current	$V_{IL} = GND$	GND		0.6	uA
V_{OH}	LVTTL high level output voltage	$I_{OH} = -8mA$	2.4			V
V_{OL}	LVTTL low level output voltage	$I_{OL} = 8mA$			0.4	V

SCL/SDA and AUX Pins

Symbol	Parameters	Condition	Min.	Typ.	Max.	Units
When configure as SCL/SDA pins						
V_{IH}	LVTTL input high voltage		$0.7 * VDD$		5.5	V
V_{IL}	LVTTL input low voltage		GND		$0.3 * VDD$	V
I_{IH}	Input High-level current	$V_{IH} = VDD33$	-1		1	uA
I_{IL}	Input Low-level current	$V_{IL} = 0$	-1		1	uA
V_{OH}	LVTTL high level output voltage	$I_{OH} = -8mA$	2.4			V
V_{OL}	LVTTL low level output voltage	$I_{OL} = 8mA$			0.4	V
When configure as Aux channel pins						
V_{CM}	Common mode voltage		0		2.0	V
$V_{AUX(dif-pp)}$	Peak to peak differential voltage		0.19		1.26	V
R_{ON}	On resistance	$V_{IN} = -0.3V$ to $+0.4V$ $I_{ON} = -40mA$		11	20	Ω
BW_{3dB}	3dB Bandwidth			440		MHz

DP Differential

Symbol	Parameters	Condition	Min.	Typ.	Max.	Units
DP differential Input						
V_{ID}	Peak to peak differential input voltage		400		1200	mV
V_{ODO}	Differential overshoot voltage				15%*VDD33	V
V_{ODU}	Differential undershoot voltage				25%*VDD33	V
I_{OFF}	Single end standby current				10	uA
I_{SC}	Output short current				60	mA
DP differential Output						
$V_{tx\ diff-lev1}$	Differential pk-pk level 1		340	400	460	mV
$V_{tx\ diff-lev2}$	Differential pk-pk level 2		510	600	680	mV
$V_{tx\ diff-lev3}$	Differential pk-pk level 3		690	800	920	mV
$V_{tx\ diff-lev4}$	Differential pk-pk level 4		1020	1200	1380	mV
Pre-emphasis level						
0dB	$V_{tx\ diff} = 1.2V$		0	0	0	dB
3.5dB (1.5x)	$V_{tx\ diff} = 0.8V$		2.8	3.5	4.2	dB
6dB (2x)	$V_{tx\ diff} = 0.6V$		4.8	6	7.2	dB
9.5dB (3x)	$V_{tx\ diff} = 0.4V$		7.6	9.5	11.4	dB
DP differential output CML driver AC Switching Characteristics						
T_{rise} / T_{fall}	Rise and Fall Time	20% to 80 %	80	115	150	ps
$T_{sk(D)}$	Intra-pair differential skew				50	ps
$T_{sk(O)}$	Intra-pair differential skew				50	ps

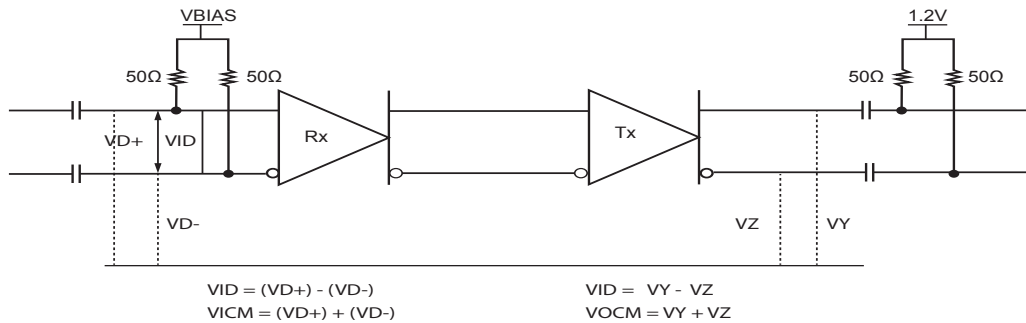


Figure 5-1: DisplayPort Main Link Test Circuit

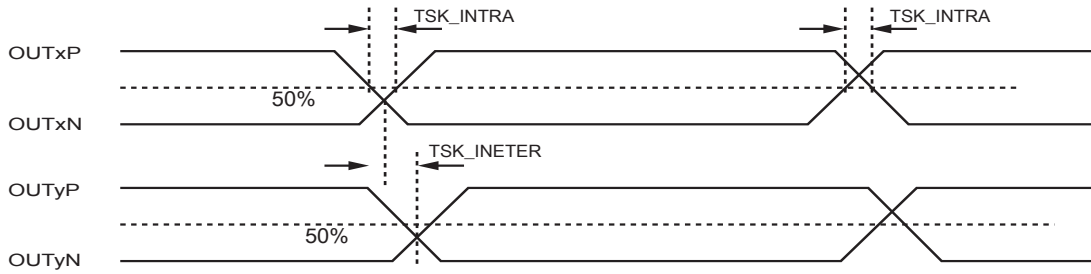


Figure 5-2: DisplayPort Main Link Intra-Skew Measurement

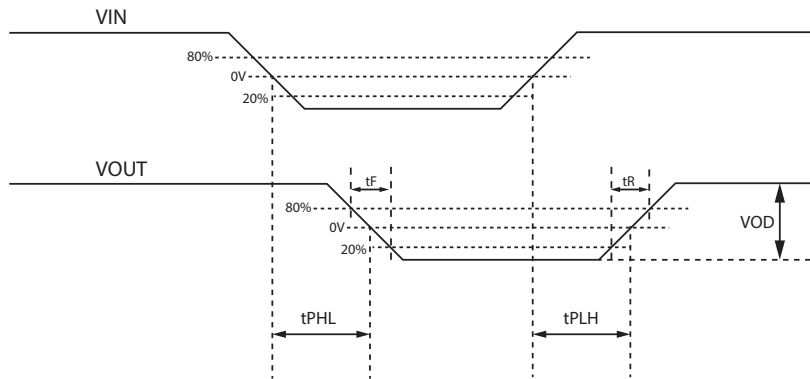


Figure 5-3: Rising and Falling Time Definition

6. Application

Note

Information in the following applications sections is not part of the component specification, and does not warrant its accuracy or completeness. Customers are responsible for determining suitability of components for their purposes. Customers should validate and test their design implementation to confirm system functionality.

6.1 Application Circuit Diagrams

- SCL_DDC and SDA_DDC can be float, if unused.

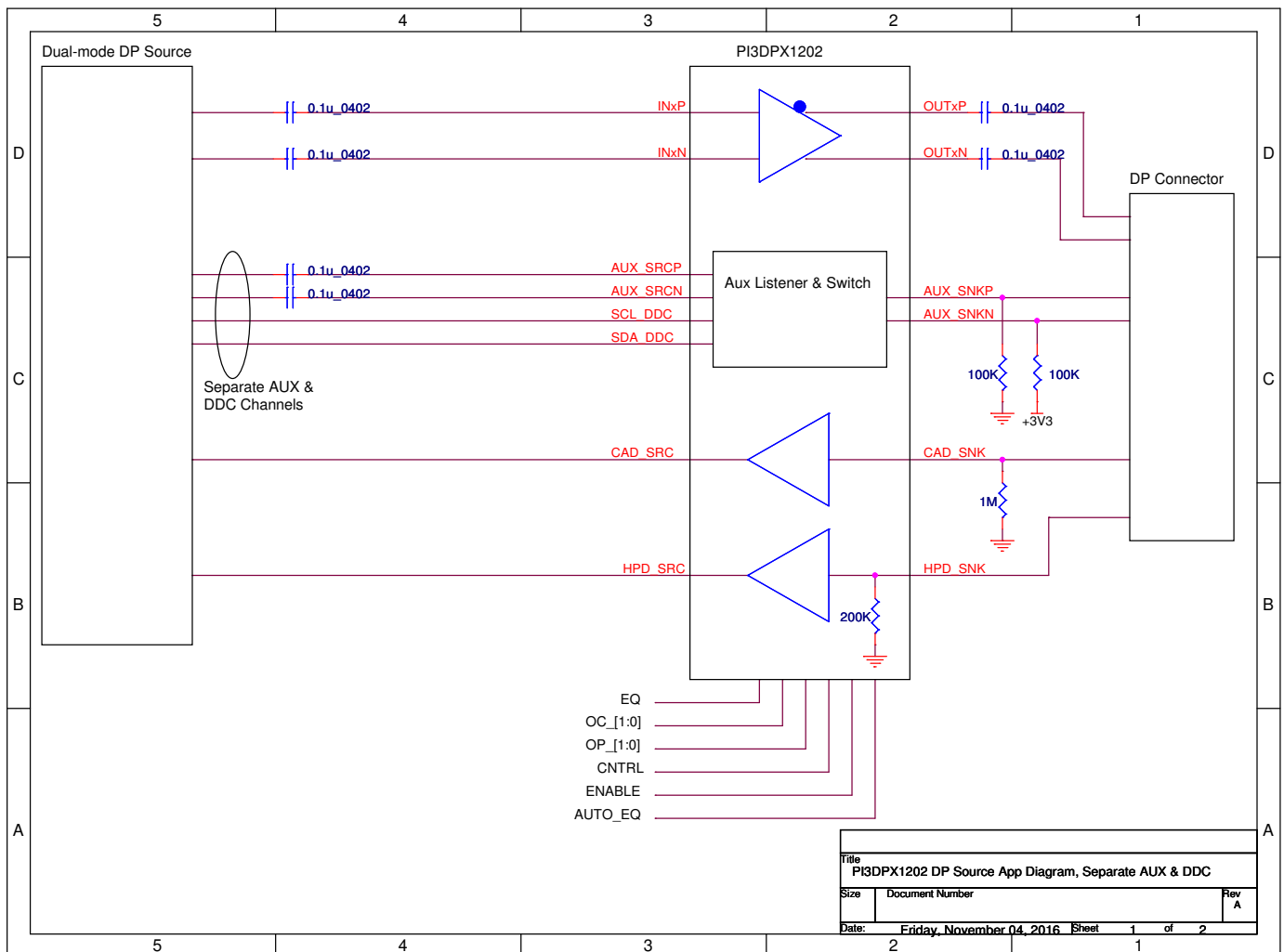


Figure 6-1: DP++ Source Application with combined Aux/DDC Channels

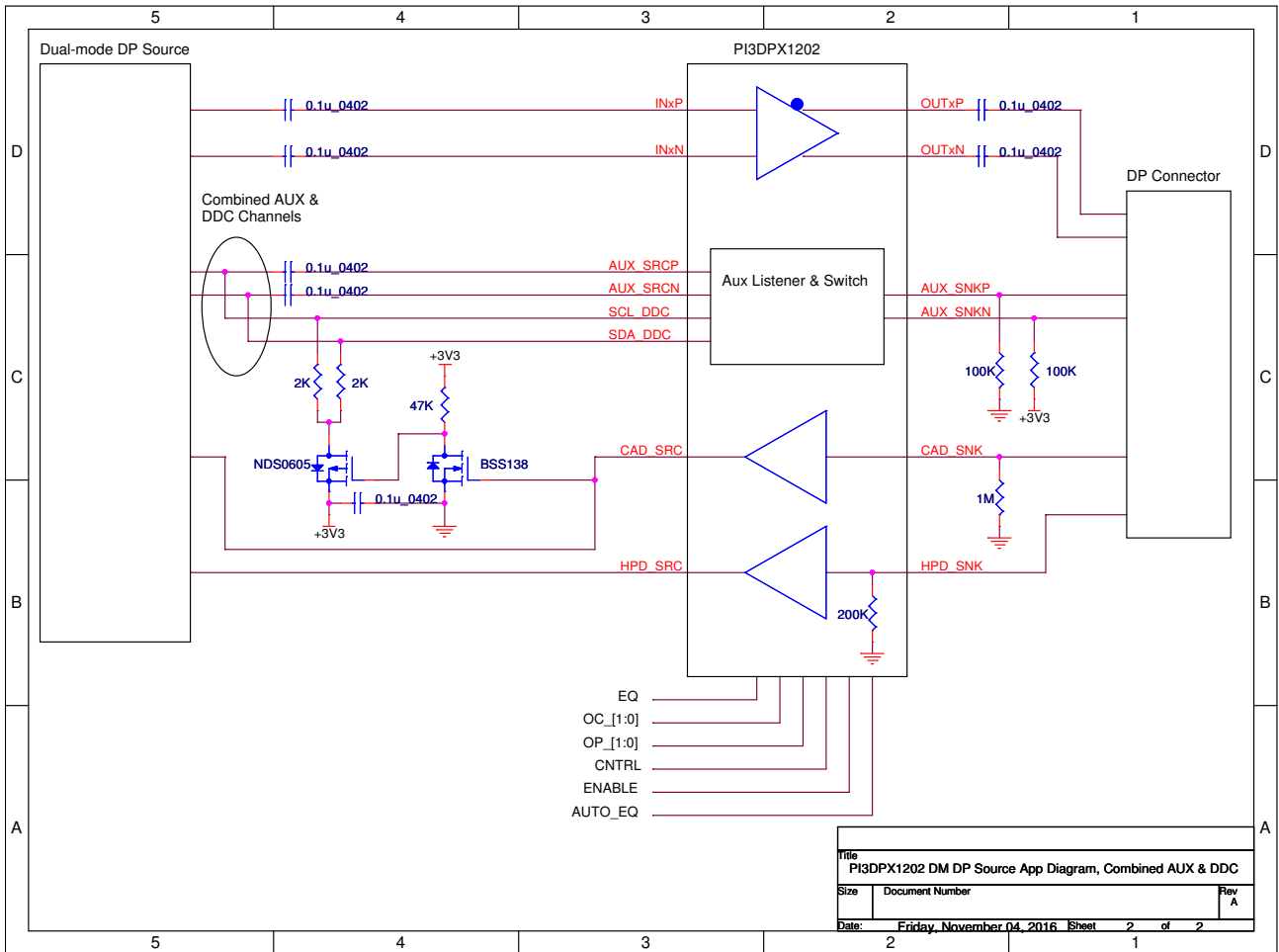


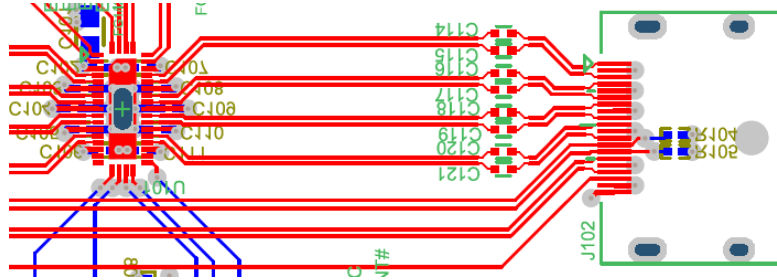
Figure 6-2: DP Source Application with separate Aux/DDC Channels

6.2 PCB Layout Guideline

As transmission data rate increases rapidly, any flaws and/or mis-matches on PCB layout are amplified in terms of signal integrity. Layout guideline for high-speed transmission is highlighted in this application note.

AC coupling Capacitor

Below is an example of placing AC coupling capacitors on high-speed channels.

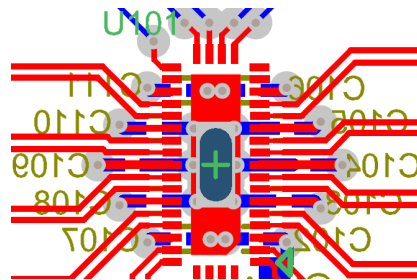


Location

To wisely use the equalization selections offered by PI3DPX1202, it is recommended to place PI3DPX1202 at the end of the entire path. In short, PI3DPX1202 should be located close to the output DP connector in a source application. Below is the PI3DPX1202 placement on its evaluation board.

Thermal Pad GND Via Recommendation

To wisely use the equalization selections offered by PI3DPX1202, it is recommended to place PI3DPX1202 at the end of the entire path. In short, PI3DPX1202 should be located close to the output DP connector in a source application. Below is the PI3DPX1202 placement on its evaluation board .



Several GND vias are the “must” requirement in thermal pad. The recommended Via size is 12/24 mil.

General Power and Ground Guideline

To provide a clean power supply for Diodes high-speed device, few recommendations are listed below:

- Power (VDD) and ground (GND) pins should be connected to corresponding power planes of the printed circuit board directly without passing through any resistor.
- The thickness of the PCB dielectric layer should be minimized such that the VDD and GND planes create low inductance paths.
- One low-ESR 0.1uF decoupling capacitor should be mounted at each VDD pin or should supply bypassing for at most two VDD pins. Capacitors of smaller body size, i.e. 0402 package, is more preferable as the insertion loss is lower. The capacitor should be placed next to the VDD pin.
- One capacitor with capacitance in the range of 4.7uF to 10uF should be incorporated in the power supply decoupling design as well. It can be either tantalum or an ultra-low ESR ceramic.
- A ferrite bead for isolating the power supply for Diodes high-speed device from the power supplies for other parts on the printed circuit board should be implemented.
- Several thermal ground vias must be required on the thermal pad. 25-mil or less pad size and 14-mil or less finished hole are recommended.

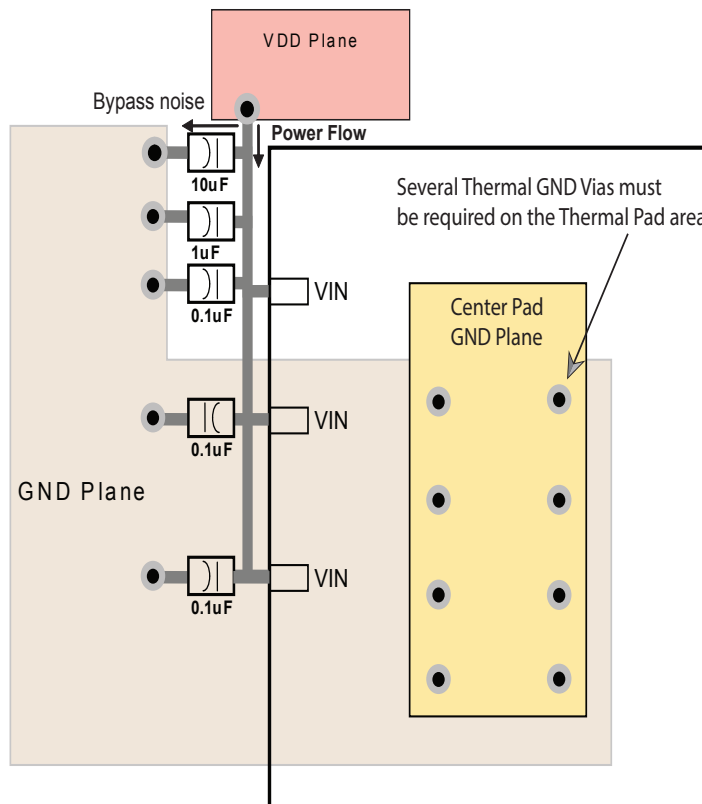


Figure 6-3: Decoupling Capacitor Placement Diagram

High-speed signal Routing

Well-designed layout is essential to prevent signal reflection:

- For 90Ω differential impedance, width-spacing-width micro-strip of 6-7-6 mils is recommended; for 100Ω differential impedance, width-spacing-width micro-strip of 5-7-5 mils is recommended.
- Differential impedance tolerance is targeted at ±15%.

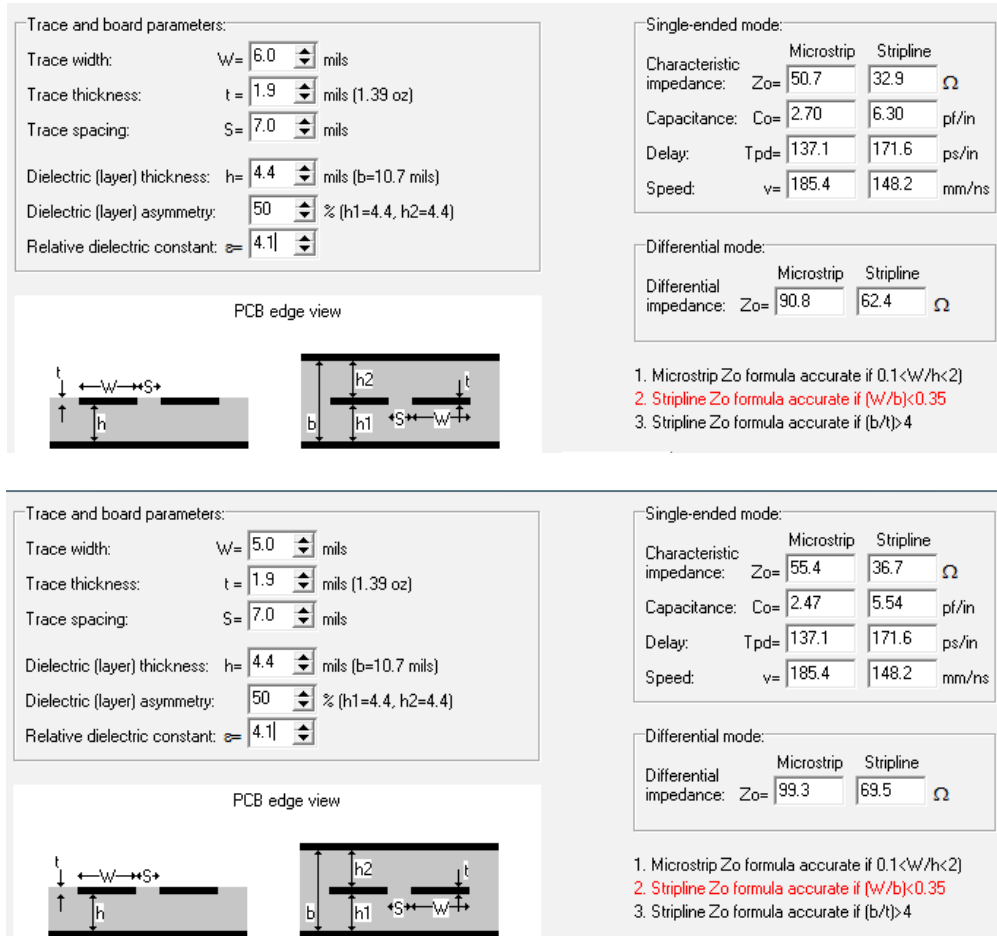


Figure 6-4: Trace Width and Clearance of Micro-strip and Strip-line

- For micro-strip, using 1/2oz Cu is fine. For strip-line in 6+ PCB layers, 1oz Cu is more preferable.

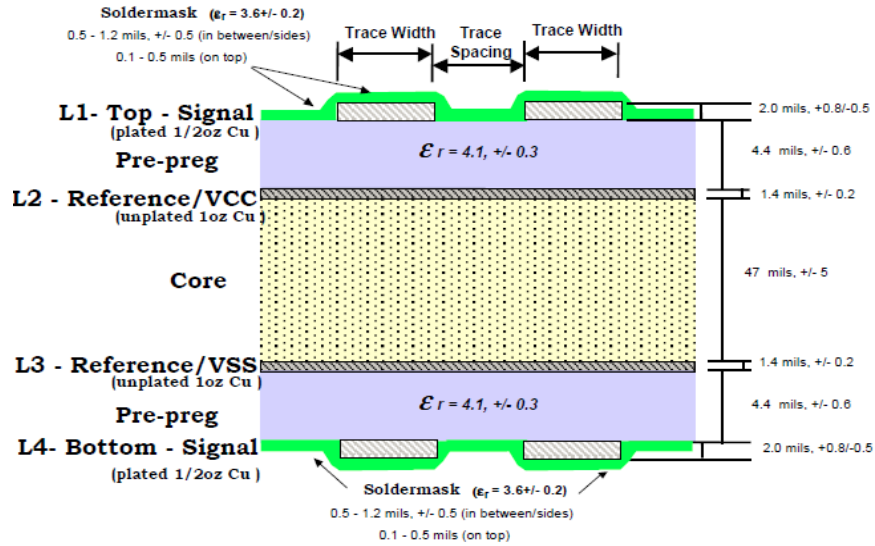


Figure 6-5: 4-Layer PCB Stack-up Example

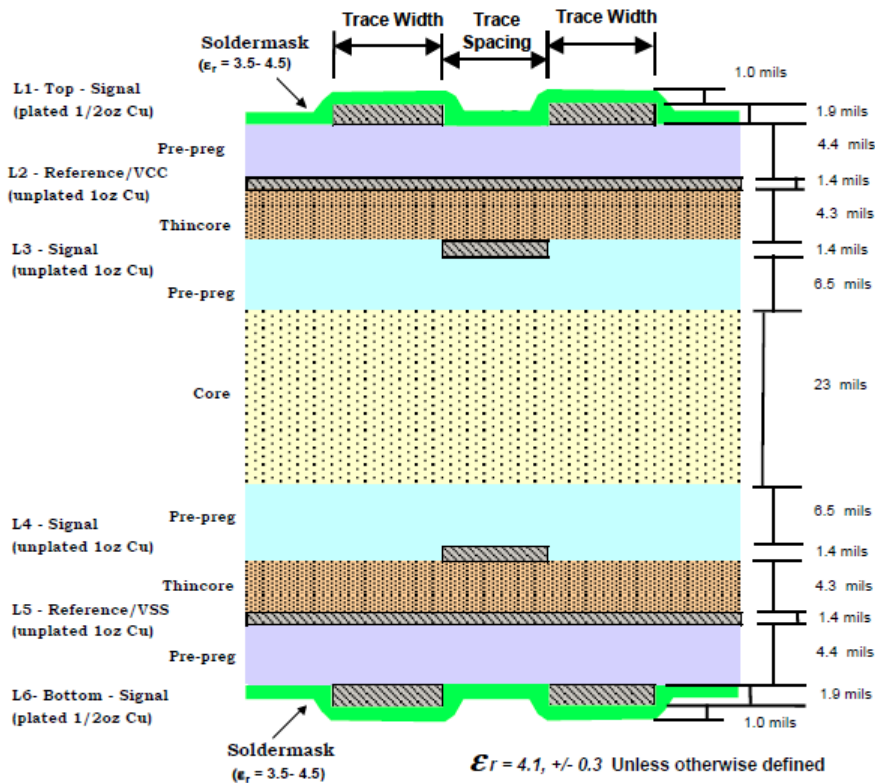


Figure 6-6: 6-Layer PCB Stack-up Example

- Ground referencing is highly recommended. If unavoidable, stitching capacitors of 0.1uF should be placed when reference plane is changed.

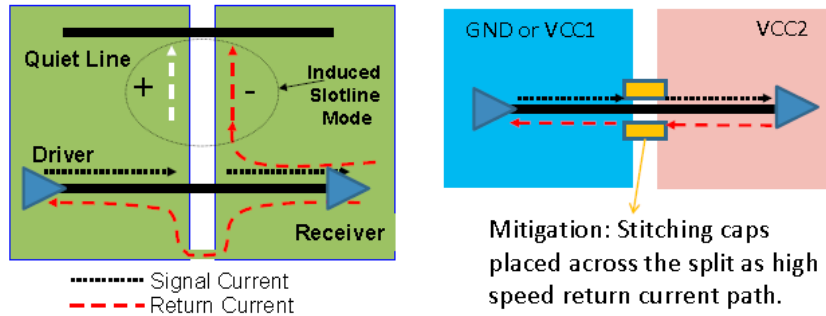


Figure 6-7: Stitching Capacitor Placement

- To keep the reference unchanged, stitching vias must be used when changing layers.
- Differential pair should maintain symmetrical routing whenever possible. The intra-pair skew of micro-strip should be less than 5 mils.
- To keep the reference unchanged, stitching vias must be used when changing layers.
- Differential pair should maintain symmetrical routing whenever possible. The intra-pair skew of micro-strip should be less than 5 mils.

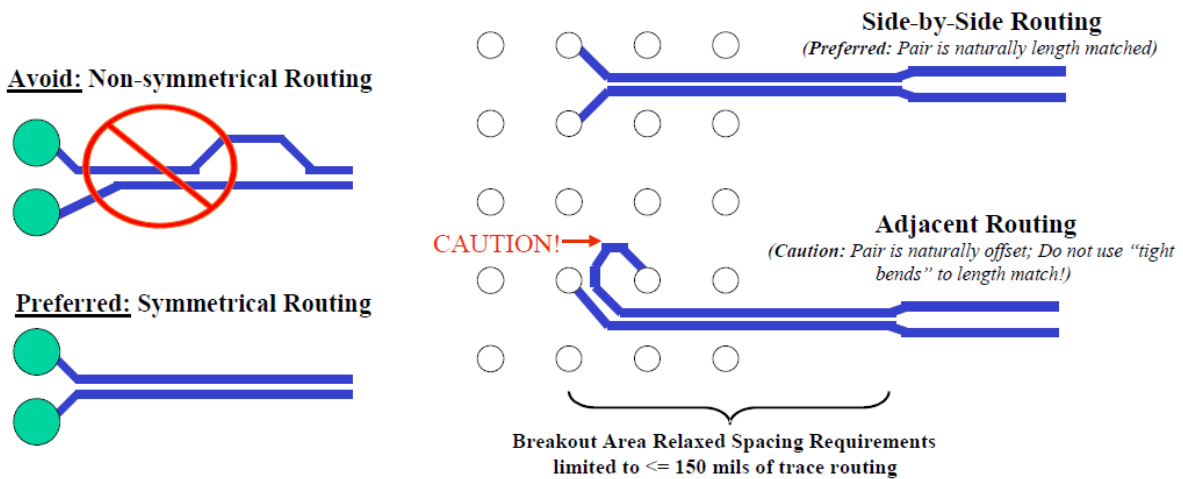


Figure 6-8: Layout Guidance of Matched Differential Pair

- For minimal crosstalk, inter-pair spacing between two differential micro-strip pairs should be at least 20 mils or 4 times the dielectric thickness of the PCB.
- Wider trace width of each differential pair is recommended in order to minimize the loss, especially for long routing. More consistent PCB impedance can be achieved by a PCB vendor if trace is wider.
- Differential signals should be routed away from noise sources and other switching signals on the printed circuit board.

- To minimize signal loss and jitter, tight bend is not recommended. All angles α should be at least 135 degrees. The inner air gap A should be at least 4 times the dielectric thickness of the PCB.

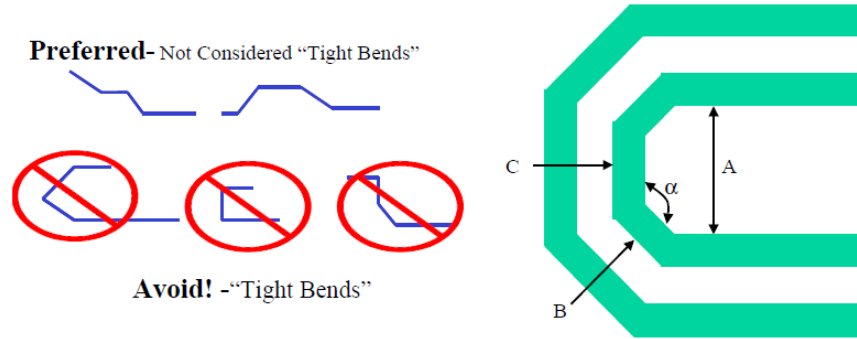


Figure 6-9: Layout Guidance of Bends

- Stub creation should be avoided when placing shunt components on a differential pair.

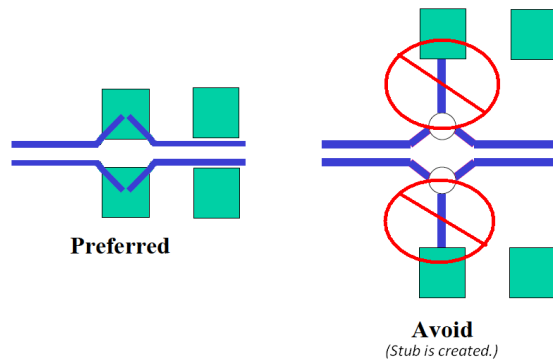


Figure 6-10: Layout Guidance of Shunt Component

- Placement of series components on a differential pair should be symmetrical.

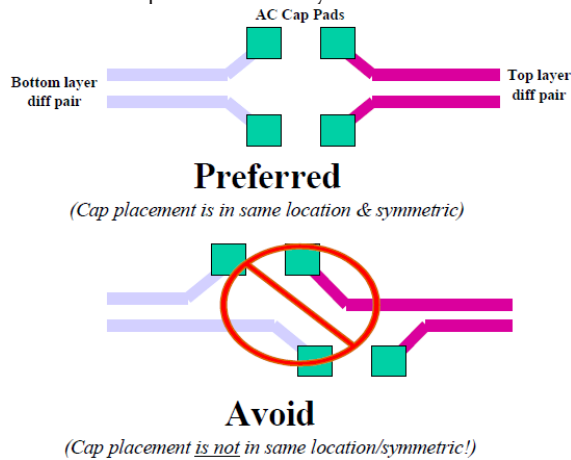


Figure 6-11: Layout Guidance of Series Component

- Stitching vias or test points must be used sparingly and placed symmetrically on a differential pair.

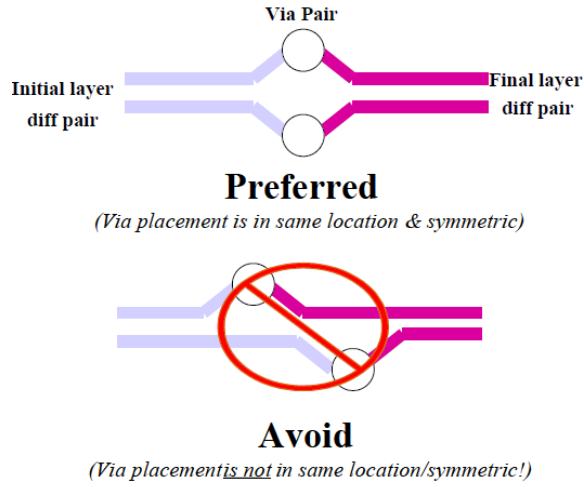


Figure 6-12: Layout Guidance of Stitching Via

6.3 DisplayPort 1.2 Test Report

Internal DisplayPort test setup is shown below for the reference.

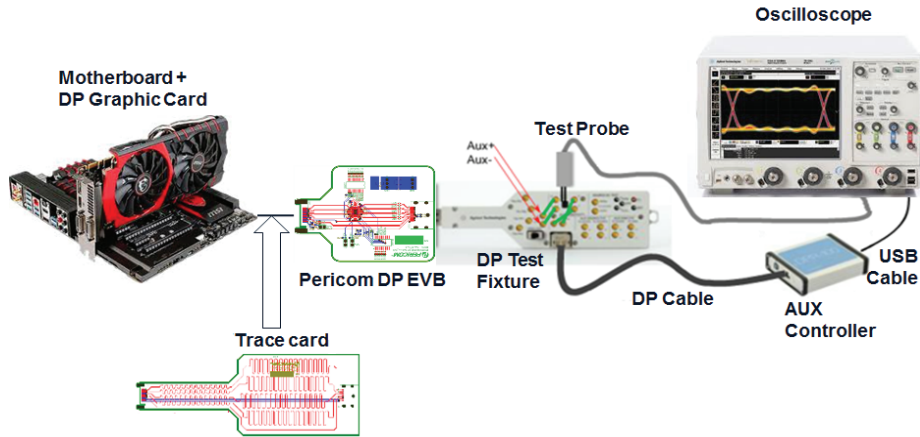


Figure 6-13: DisplayPort Test Set-up

Table 6-1: CTS Trace card insertion loss information

DP FR4 trace	0 in	6 in	12 in	18 in	24 in	30 in	36 in
Insertion loss @ 5.4Gbps	-5.27 dB	-7.24 dB	-9.21 dB	-11.75 dB	-13.28 dB	-15.27 dB	-19.08 dB

DisplayPort Test Report

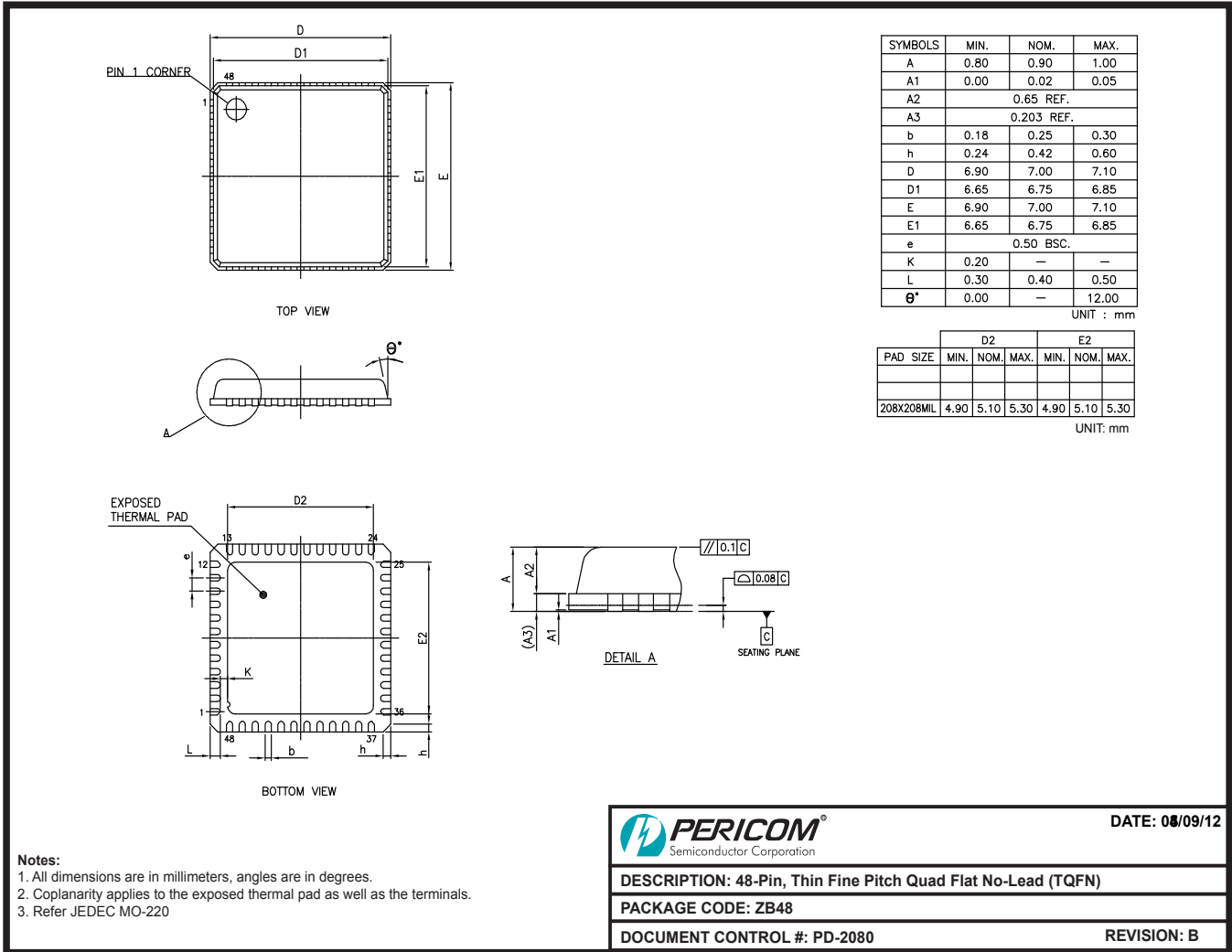
Overall Result: PASS

Test Configuration Details	
Device Description	
Test Specification	1.2b
Test Session Details	
Fixture Type	Agilent W2641B
Infiniium SW Version	05.20.0013
Infiniium Model Number	DSOX92504A
Infiniium Serial Number	MY54410104
Application SW Version	3.41
Debug Mode Used	No
Probe (Channel 1)	Model: N2801A Serial: US54094067 Head: N5444A Atten: Calibrated (18 FEB 2015 11:16:48), Using Cal Atten (5.7831E+000) Skew: Calibrated (18 FEB 2015 11:16:56), Using Cal Skew
Probe (Channel 2)	Model: N2801A Serial: US54094054 Head: N5444A Atten: Calibrated (18 FEB 2015 11:19:29), Using Cal Atten (5.5882E+000) Skew: Calibrated (18 FEB 2015 11:13:57), Using Cal Skew
Probe (Channel 3)	Model: N2801A Serial: US54094059 Head: N5444A Atten: Calibrated (18 FEB 2015 11:15:19), Using Cal Atten (5.7320E+000) Skew: Calibrated (18 FEB 2015 11:15:29), Using Cal Skew
Probe (Channel 4)	Model: N2801A Serial: US54094057 Head: N5444A Atten: Calibrated (18 FEB 2015 11:11:30), Using Cal Atten (5.5123E+000) Skew: Calibrated (18 FEB 2015 11:12:12), Using Cal Skew
Last Test Date	2016-04-01 15:49:55 UTC +08:00

Figure 6-14: DisplayPort 1.2 Compliance Test Report

7. Mechanical/Packaging

7.1 Package Mechanical Outline



12-0459

Figure 7-1: Package TQFN-48 (ZB) Mechanical Outline Dimension

PI3DPX1202A

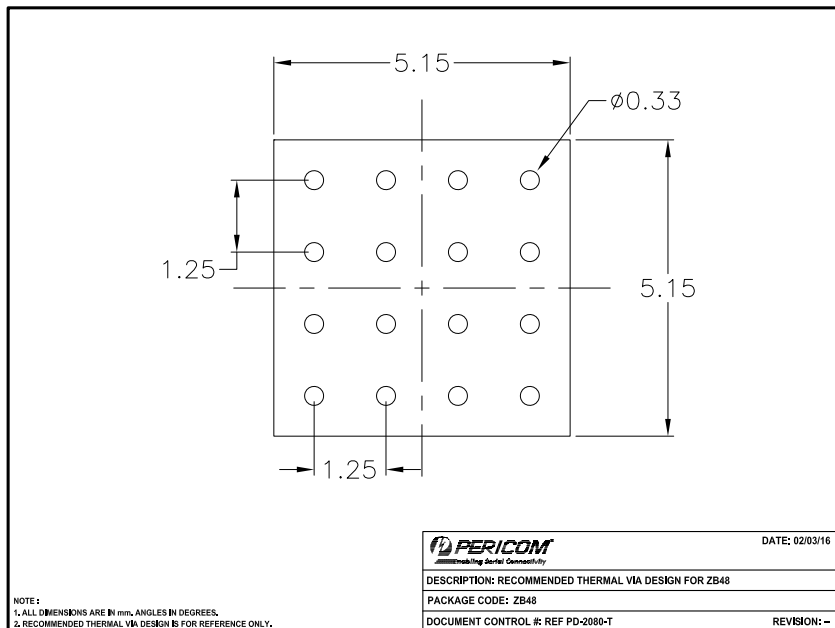


Figure 7-2: TQFN-48 (ZB) Thermal Via Pad Area

7.2 Part Marking Information

Our standard product mark follows our standard part number ordering information, except for those products with a speed letter code. The speed letter code mark is placed after the package code letter, rather than after the device number as it is ordered. After electrical test screening and speed binning has been completed, we then perform an “add mark” operation which places the speed code letter at the end of the complete part number.

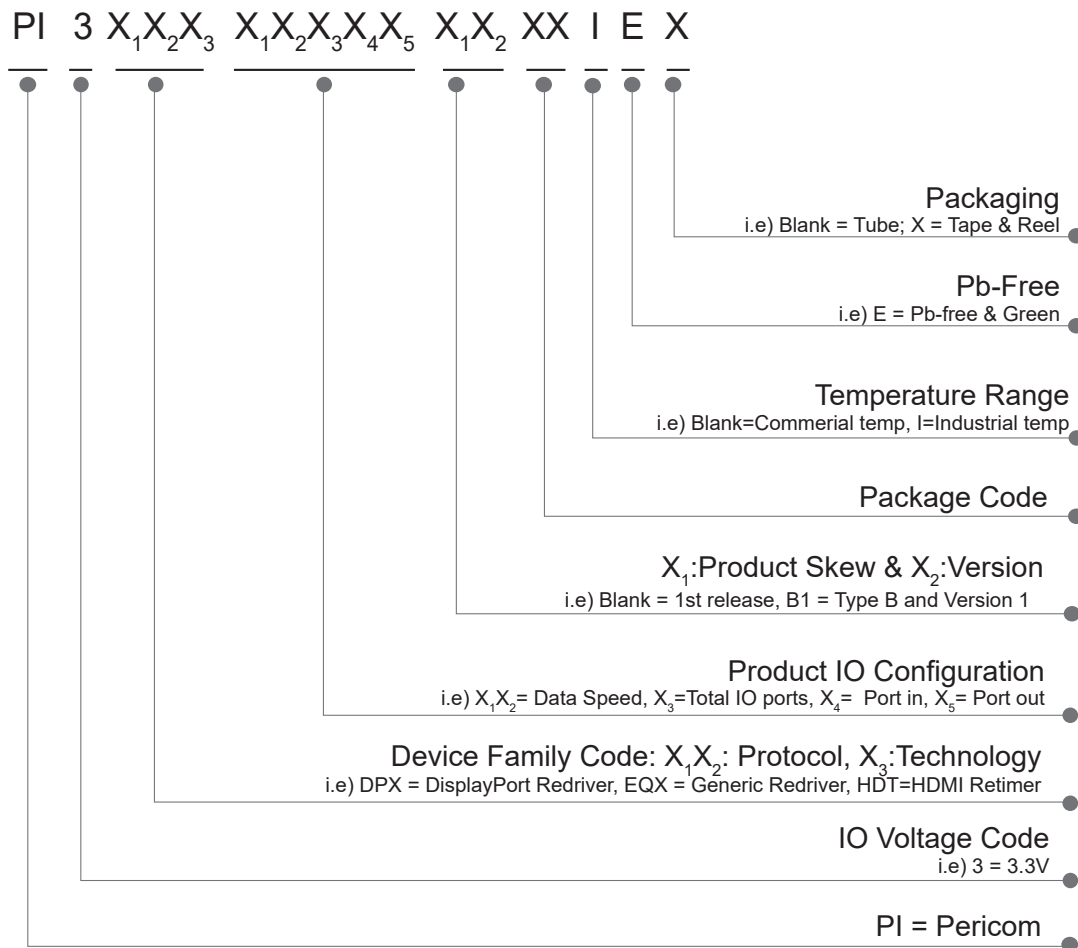


Figure 7-3: General Part marketing information

7.3 Tape & Reel Materials and Design

Carrier Tape

The Pocketed Carrier Tape is made of Conductive Polystyrene plus Carbon material (or equivalent). The surface resistivity is 10^6 Ohm/sq. maximum. Pocket tapes are designed so that the component remains in position for automatic handling after cover tape is removed. Each pocket has a hole in the center for automated sensing if the pocket is occupied or not, thus facilitating device removal. Sprocket holes along the edge of the center tape enable direct feeding into automated board assembly equipment. See Figures 3 and 4 for carrier tape dimensions.

Cover Tape

Cover tape is made of Anti-static Transparent Polyester film. The surface resistivity is 10^7 Ohm/Sq. Minimum to 10^{11} Ohm sq. maximum. The cover tape is heat-sealed to the edges of the carrier tape to encase the devices in the pockets. The force to peel back the cover tape from the carrier tape shall be a MEAN value of 20 to 80gm (2N to 0.8N).

Reel

The device loading orientation is in compliance with EIA-481, current version (Figure 2). The loaded carrier tape is wound onto either a 13-inch reel, (Figure 4) or 7-inch reel. The reel is made of Anti-static High-Impact Polystyrene. The surface resistivity 10^7 Ohm/sq. minimum to 10^{11} Ohm/sq. max.

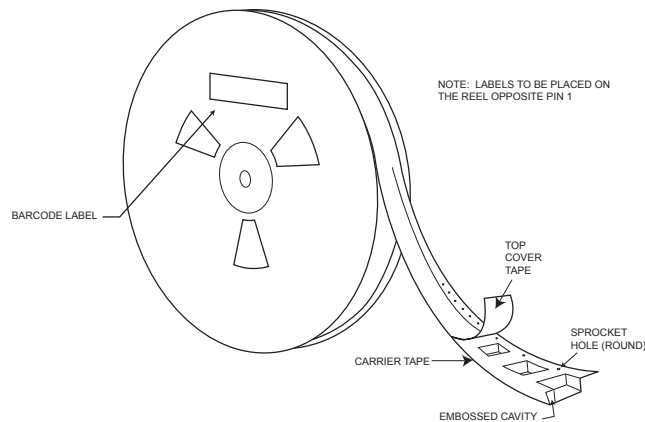


Figure 7-4: Tape & Reel label information

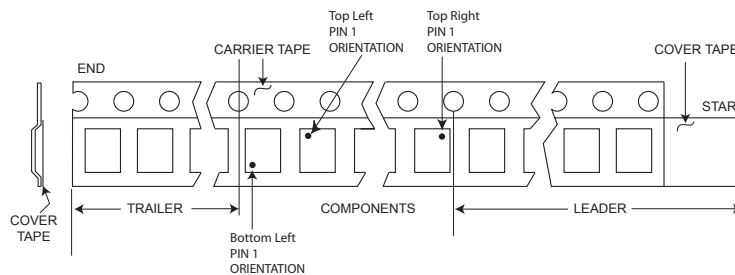


Figure 7-5: Tape leader and trailer pin 1 orientations

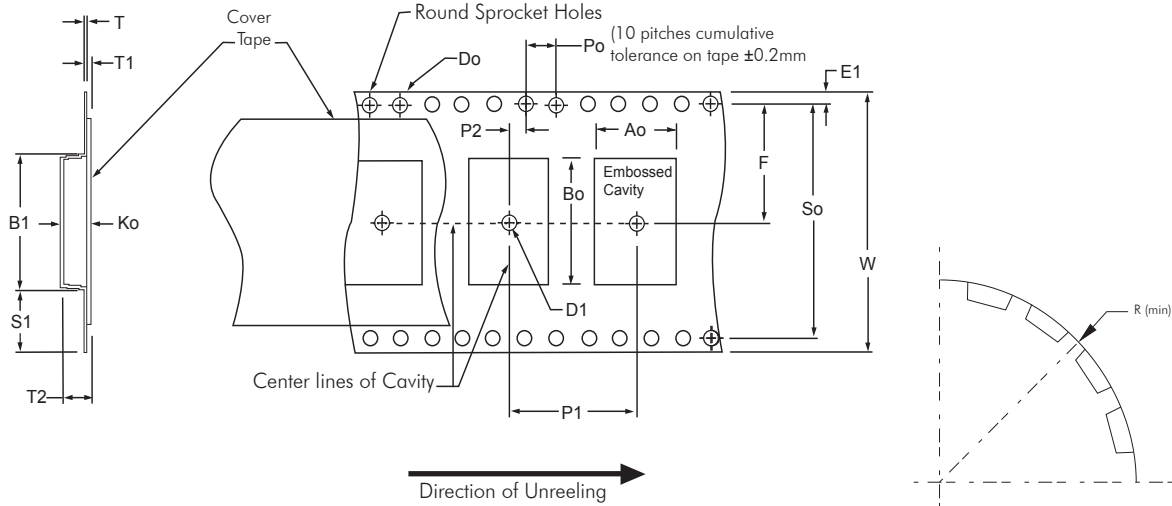


Figure 7-6: Standard embossed carrier tape dimensions

Table 7-1: Constant Dimensions

Tape Size	D ₀	D ₁ (Min)	E ₁	P ₀	P ₂	R(See Note 2)	S ₁ (Min)	T (Max)	T ₁ (Max)	
8mm	1.5 +0.1 -0.0	1.0	1.75 ± 0.1	4.0 ± 0.1	2.0 ± 0.05	25	0.6	0.6	0.1	
12mm		1.5			2.0 ± 0.1	30				
16mm		2.0			2.0 ± 0.1	50				N/A (See Note 3)
24mm		2.0			2.0 ± 0.15					
32mm										
44mm										

Table 7-2: Variable Dimensions

Tape Size	P ₁	B ₁ (Max)	E ₂ (Min)	F	So	T ₂ (Max.)	W (Max)	A ₀ , B ₀ , & K ₀
8mm	Specific per package type. Refer to FR-0221 (Tape and Reel Packing Information)	4.35	6.25	3.5 ± 0.05	N/A (see note 4)	2.5	8.3	See Note 1
12mm		8.2	10.25	5.5 ± 0.05		6.5	12.3	
16mm		12.1	14.25	7.5 ± 0.1		8.0	16.3	
24mm		20.1	22.25	11.5 ± 0.1		12.0	24.3	
32mm		23.0	N/A	14.2 ± 0.1	28.4 ± 0.1	32.3		
44mm		35.0	N/A	20.2 ± 0.15	40.4 ± 0.1	44.3		

NOTES:

- A₀, B₀, and K₀ are determined by component size. The cavity must restrict lateral movement of component to 0.5mm maximum for 8mm and 12mm wide tape and to 1.0mm maximum for 16,24,32, and 44mm wide carrier. The maximum component rotation within the cavity must be limited to 20° maximum for 8 and 12 mm carrier tapes and 10° maximum for 16 through 44mm.
- Tape and components will pass around reel with radius "R" without damage.
- S₁ does not apply to carrier width ≥32mm because carrier has sprocket holes on both sides of carrier where D₀ ≥ S₁.
- So does not exist for carrier ≤32mm because carrier does not have sprocket hole on both side of carrier.

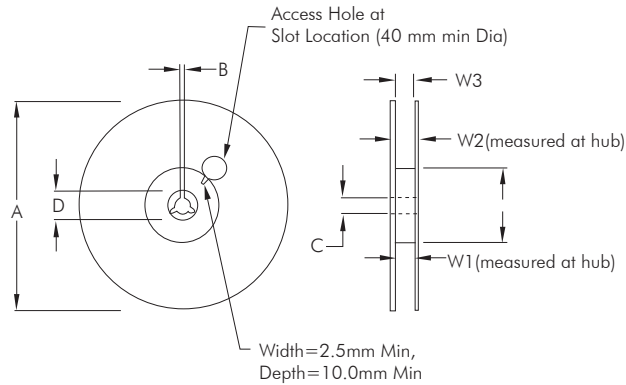


Table 7-3: Reel dimensions by tape size

Tape Size	A	N (Min) See Note A	W1	W2(Max)	W3	B (Min)	C	D (Min)
8mm	178	60 ±2.0mm or 100±2.0mm	8.4 +1.5/-0.0 mm	14.4 mm	Shall Accommodate Tape Width Without Interference	1.5mm	13.0 +0.5/-0.2 mm	20.2mm
12mm	±2.0mm or 330±2.0mm		12.4 +2.0/-0.0 mm	18.4 mm				
16mm	330 ±2.0mm	100 ±2.0mm	16.4 +2.0/-0.0 mm	22.4 mm				
24mm			24.4 +2.0/-0.0 mm	30.4 mm				
32mm			32.4 +2.0/-0.0 mm	38.4 mm				
44mm			44.4 +2.0/-0.0 mm	50.4 mm				

NOTE:

A. If reel diameter A=178 ±2.0mm, then the corresponding hub diameter (N(min)) will by 60 ±2.0mm. If reel diameter A=330±2.0mm, then the corresponding hub diameter (N(min)) will by 100±2.0mm.

8. Important Notice

DIODES INCORPORATED MAKES NO WARRANTY OF ANY KIND, EXPRESS OR IMPLIED, WITH REGARDS TO THIS DOCUMENT, INCLUDING, BUT NOT LIMITED TO, THE IMPLIED WARRANTIES OF MERCHANTABILITY AND FITNESS FOR A PARTICULAR PURPOSE (AND THEIR EQUIVALENTS UNDER THE LAWS OF ANY JURISDICTION).

Diodes Incorporated and its subsidiaries reserve the right to make modifications, enhancements, improvements, corrections or other changes without further notice to this document and any product described herein. Diodes Incorporated does not assume any liability arising out of the application or use of this document or any product described herein; neither does Diodes Incorporated convey any license under its patent or trademark rights, nor the rights of others. Any Customer or user of this document or products described herein in such applications shall assume all risks of such use and will agree to hold Diodes Incorporated and all the companies whose products are represented on Diodes Incorporated website, harmless against all damages. Diodes Incorporated does not warrant or accept any liability whatsoever in respect of any products purchased through unauthorized sales channel.

Should Customers purchase or use Diodes Incorporated products for any unintended or unauthorized application, Customers shall indemnify and hold Diodes Incorporated and its representatives harmless against all claims, damages, expenses, and attorney fees arising out of, directly or indirectly, any claim of personal injury or death associated with such unintended or unauthorized application.

Products described herein may be covered by one or more United States, international or foreign patents pending. Product names and markings noted herein may also be covered by one or more United States, international or foreign trademarks.

This document is written in English but may be translated into multiple languages for reference. Only the English version of this document is the final and determinative format released by Diodes Incorporated.

LIFE SUPPORT

Diodes Incorporated products are specifically not authorized for use as critical components in life support devices or systems without the express written approval of the Chief Executive Officer of Diodes Incorporated. As used herein:

A. Life support devices or systems are devices or systems which:

1. are intended to implant into the body, or
2. support or sustain life and whose failure to perform when properly used in accordance with instructions for use provided in the labeling can be reasonably expected to result in significant injury to the user.

B. A critical component is any component in a life support device or system whose failure to perform can be reasonably expected to cause the failure of the life support device or to affect its safety or effectiveness.

Customers represent that they have all necessary expertise in the safety and regulatory ramifications of their life support devices or systems, and acknowledge and agree that they are solely responsible for all legal, regulatory and safety-related requirements concerning their products and any use of Diodes Incorporated products in such safety-critical, life support devices or systems, notwithstanding any devices- or systems-related information or support that may be provided by Diodes Incorporated. Further, Customers must fully indemnify Diodes Incorporated and its representatives against any damages arising out of the use of Diodes Incorporated products in such safety-critical, life support devices or systems.

Copyright © 2016, Diodes Incorporated
www.diodes.com

--

Looking for pricing, stock, or lifecycle information?

Click below to explore more details on WIN SOURCE:

 [View PI3DPX1202A1ZBE on WIN SOURCE](#)

 [Diodes Incorporated Information](#)

Optimize Your Supply Chain with WIN SOURCE Solutions

-  Global Sourcing Solution
-  Obsolete Management
-  Cost Control Management
-  Shortage Management
-  Alternative Solution
-  Excess Inventory Management