



**THE DATASHEET OF
PCF85263ATL/AX**



PCF85263A

Tiny RTC/calendar with alarm function, battery switch-over, time stamp input, and I²C-bus

Rev. 5.3 — 22 November 2023

Product data sheet



1 General description

The PCF85263A is a CMOS¹ Real-Time Clock (RTC) and calendar optimized for low power consumption and with automatic switching to battery on main power loss. The RTC can also be configured as a stop-watch (elapsed time counter). Three time log registers triggered from battery switch-over as well as input driven events. Featuring clock output and two independent interrupt signals, two alarms, I²C-bus interface and quartz crystal calibration.

For a selection of NXP Real-Time Clocks, see [Table 71](#).

2 Features and benefits

- UL Recognized Component (PCF85263ATL)
- Provides year, month, day, weekday, hours, minutes, seconds and 100th seconds based on a 32.768 kHz quartz crystal
- Stop-watch mode for elapsed time counting. From 100th seconds to 999 999 hours
- Two independent alarms
- Battery back-up circuit
- WatchDog timer
- Three timestamp registers
- Two independent interrupt generators plus predefined interrupts at every second, minute, or hour
- Frequency adjustment via programmable offset register
- Clock operating voltage: 0.9 V to 5.5 V
- Low current; typical 0.28 μ A at $V_{DD} = 3.0$ V and $T_{amb} = 25$ °C
- 400 kHz two-line I²C-bus interface (at $V_{DD} = 1.8$ V to 5.5 V)
- Programmable clock output for peripheral devices (32.768 kHz, 16.384 kHz, 8.192 kHz, 4.096 kHz, 2.048 kHz, 1.024 kHz, and 1 Hz)
- Configurable oscillator circuit for a wide variety of quartzes: $C_L = 6$ pF, $C_L = 7$ pF, and $C_L = 12.5$ pF
- Packages offered: S18, TSSOP8, TSSOP10, HXSON10 and WLCSP12

3 Applications

- Printers and copiers
- Electronic metering
- Digital cameras
- White goods

¹ The definition of the abbreviations and acronyms used in this data sheet can be found in [Section 23](#).



- Elapsed time counter
- Network powered devices
- Battery backed up systems
- Data loggers
- Digital voice recorders
- Mobile equipment
- Accurate high duration timer

4 Ordering information

Table 1. Ordering information

| Type number | Topside marking | Package | | |
|----------------|-----------------|------------|--|-----------|
| | | Name | Description | Version |
| PCF85263AT/A | 85263A | SO8 | plastic small outline package; 8 leads; body width 3.9 mm | SOT96-1 |
| PCF85263ATL/A | 263A | DFN2626-10 | plastic thermal enhanced extremely thin small outline package; no leads; 10 terminals; body 2.6 × 2.6 × 0.5 mm | SOT1197-1 |
| PCF85263ATT/A | 263A | TSSOP8 | plastic thin shrink small outline package; 8 leads; body width 3 mm | SOT505-1 |
| PCF85263ATT1/A | 263A | TSSOP10 | plastic thin shrink small outline package; 10 leads; body width 3 mm | SOT552-1 |
| PCF85263AUK | F | WLCSP12 | wafer level package 12 cu pillars; body 1.19 x 0.94 x 0.22 mm with 0.25 mm pitch | SOT2035-1 |

4.1 Ordering options

Table 2. Ordering options

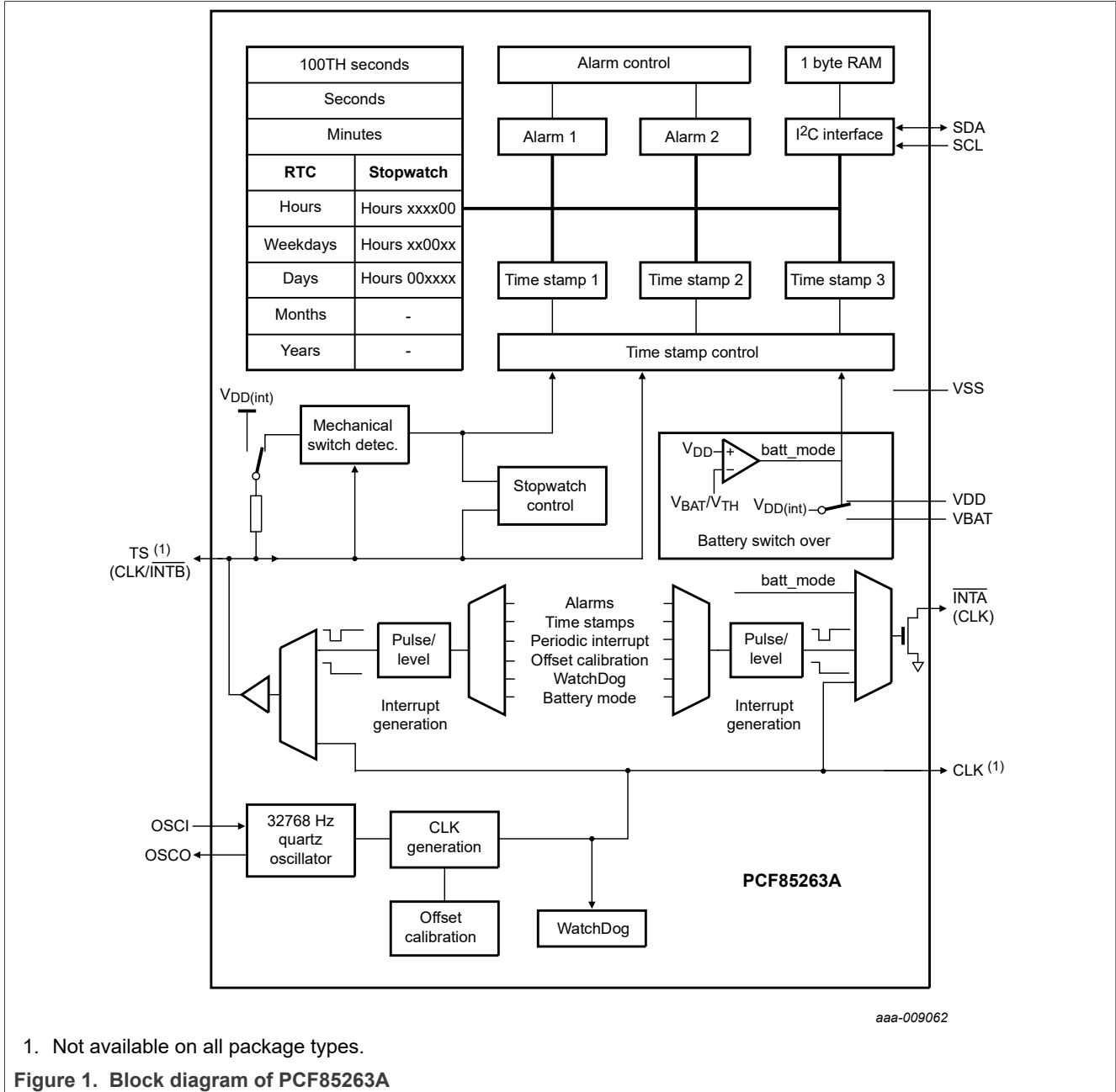
| Type number | Orderable part number | Package | Packing method ^[1] | Minimum order quantity | Temperature |
|----------------|--------------------------------|------------|------------------------------------|------------------------|-------------------------------------|
| PCF85263AT/A | PCF85263AT/AJ | SO8 | Reel 13" Q1 NDP | 2500 | T _{amb} = -40 °C to +85 °C |
| PCF85263ATL/A | PCF85263ATL/AX | DFN2626-10 | Reel 7" Q1 NDP | 4000 | T _{amb} = -40 °C to +85 °C |
| PCF85263ATT/A | PCF85263ATT/AJ | TSSOP8 | Reel 13" Q1 NDP | 2500 | T _{amb} = -40 °C to +85 °C |
| PCF85263ATT1/A | PCF85263ATT1/AJ ^[2] | TSSOP10 | Reel 13" Q1 NDP | 2500 | T _{amb} = -40 °C to +85 °C |
| | PCF85263ATT1/AZ | TSSOP10 | Reel 13" Q1 NDP SSB ^[3] | 2500 | T _{amb} = -40 °C to +85 °C |
| PCF85263AUK | PCF85263AUKZ | WLCSP12 | Reel 13" Q1 Dry Pack | 20000 | T _{amb} = -40 °C to +85 °C |

[1] Standard packing quantities and other packaging data are available at www.nxp.com/packages/

[2] Discontinuation Notice 202104010DN; drop in replacement is PCF85263ATT1/AZ. Refer to PCN 202104008A.

[3] This packing method uses a Static Shielding Bag (SSB) solution. Material should be kept in the sealed bag between uses.

5 Block diagram

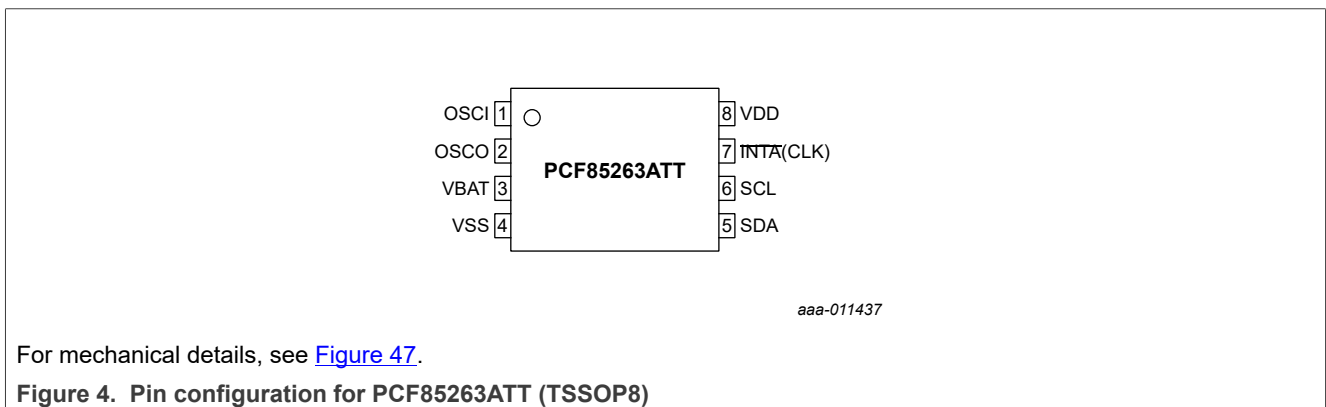
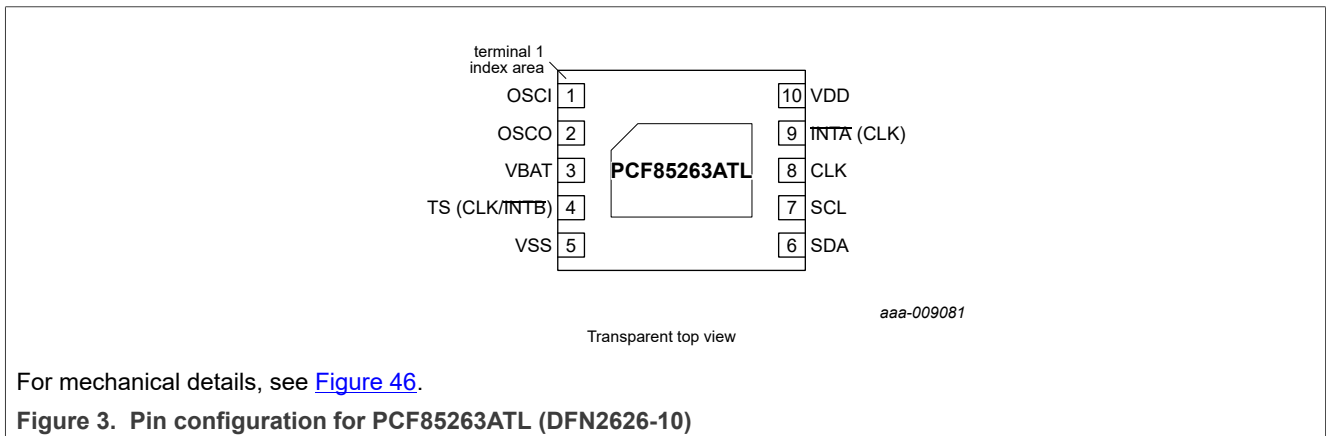
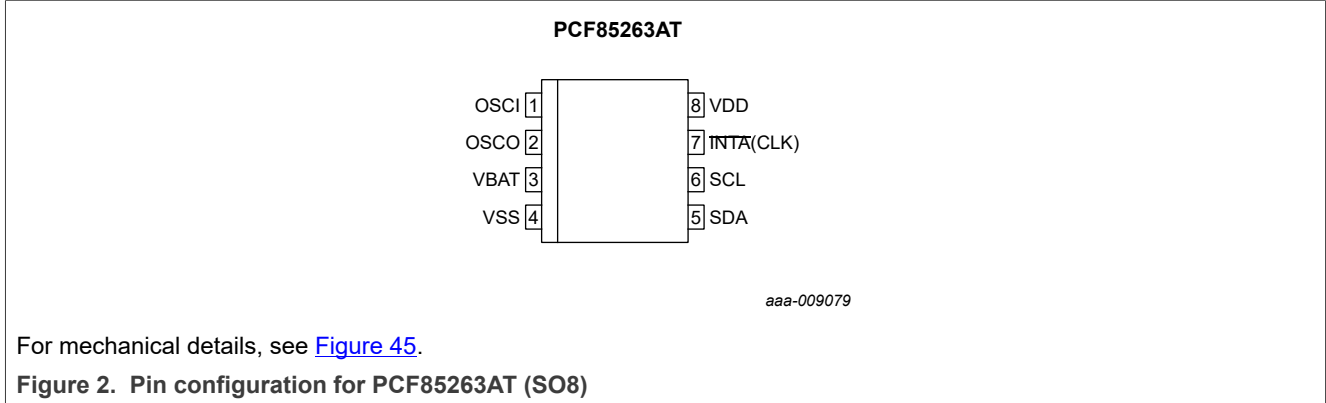


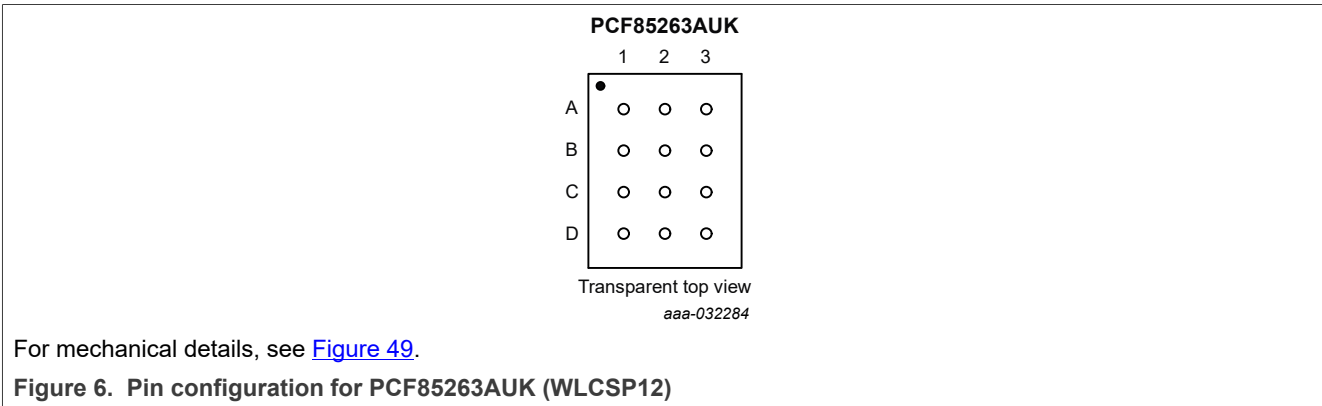
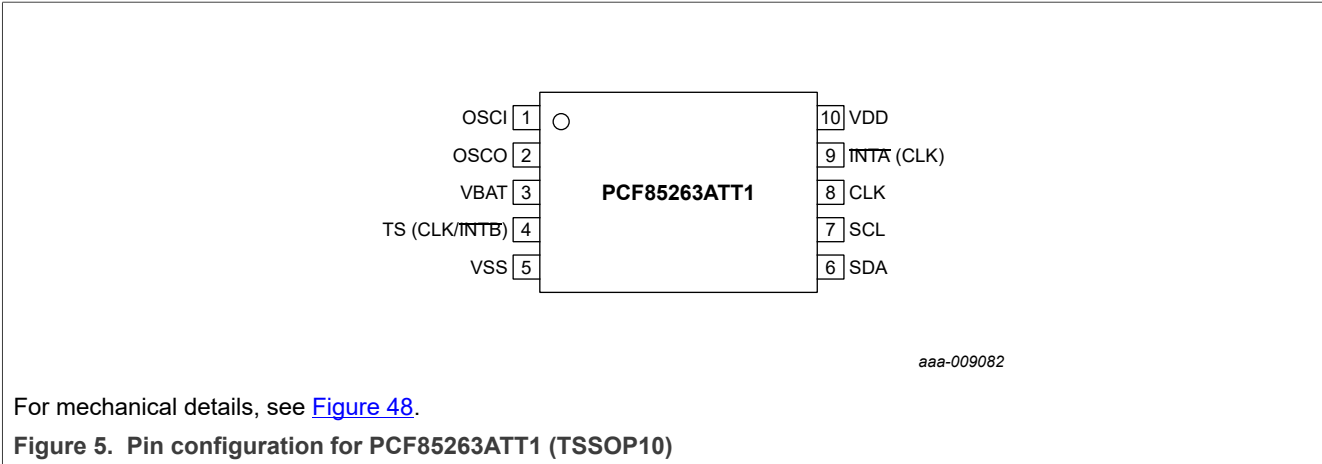
1. Not available on all package types.

Figure 1. Block diagram of PCF85263A

6 Pinning information

6.1 Pinning





6.2 Pin description

Table 3. Pin description

Input or input/output pins must always be at a defined level (V_{SS} or V_{DD}) unless otherwise specified.

| Symbol | Pin | | | | | Type | Description | |
|---------------|------------------|--------------------------|----------------------|------------------------|-----------------------|------------------|--|---|
| | PCF85263AT (SO8) | PCF85263ATL (DFN2626-10) | PCF85263ATT (TSSOP8) | PCF85263ATT1 (TSSOP10) | PCF85263AUK (WLCSP12) | | Primary use | Secondary use |
| OSCI | 1 | 1 | 1 | 1 | A2 | input | oscillator input | - |
| OSCO | 2 | 2 | 2 | 2 | A3 | output | oscillator output | - |
| VBAT | 3 | 3 | 3 | 3 | B3 | supply | battery backup supply voltage ^[1] | - |
| TS (CLK/INTB) | - | 4 | - | 4 | C3 | input/ output | can be configured with TSPM[1:0] ^[2] timestamp input | INTB and CLK output (push-pull); stop-watch control |
| VSS | 4 | 5 ^[3] | 4 | 5 | D2, D3 | supply | ground supply voltage | - |
| SDA | 5 | 6 | 5 | 6 | D1 | input/ output | serial data line | - |
| SCL | 6 | 7 | 6 | 7 | C1 | input | serial clock input | - |
| CLK | - | 8 | - | 8 | B2 | output | CLK (push-pull) | - |
| INTA (CLK) | 7 | 9 | 7 | 9 | B1 | output | can be configured with INTAPM[1:0] ^[4] interrupt output (open-drain) | CLK output (open-drain) |
| VDD | 8 | 10 | 8 | 10 | A1, C2 | supply | supply voltage | - |

Tiny RTC/calendar with alarm function, battery switch-over, time stamp input, and I²C-bus

- [1] Connect to VDD if not used.
- [2] See [Table 6](#) and [Table 46](#).
- [3] The die paddle (exposed pad) is connected to V_{SS} through high ohmic (non-conductive) silicon attach and should be electrically isolated. It is good engineering practice to solder the exposed pad to an electrically isolated PCB copper pad as shown in [Figure 46](#) for better heat transfer but it is not required as the RTC doesn't consume much power. In no case should traces be run under the package exposed pad.
- [4] See [Table 6](#) and [Table 48](#).

7 Functional description

The PCF85263A contains 8-bit registers for time information, for timestamp information and registers for system configuration. Included is an auto-incrementing register address, an on-chip 32.768 kHz oscillator with integrated capacitors, a frequency divider which provides the source clock for the Real-Time Clock (RTC) and calendar, and an I²C-bus interface with a maximum data rate of 400 kbit/s.

The built-in address register will increment automatically after each read or write of a data byte. After register 2Fh, the auto-incrementing will wrap around to address 00h (see [Figure 7](#)).

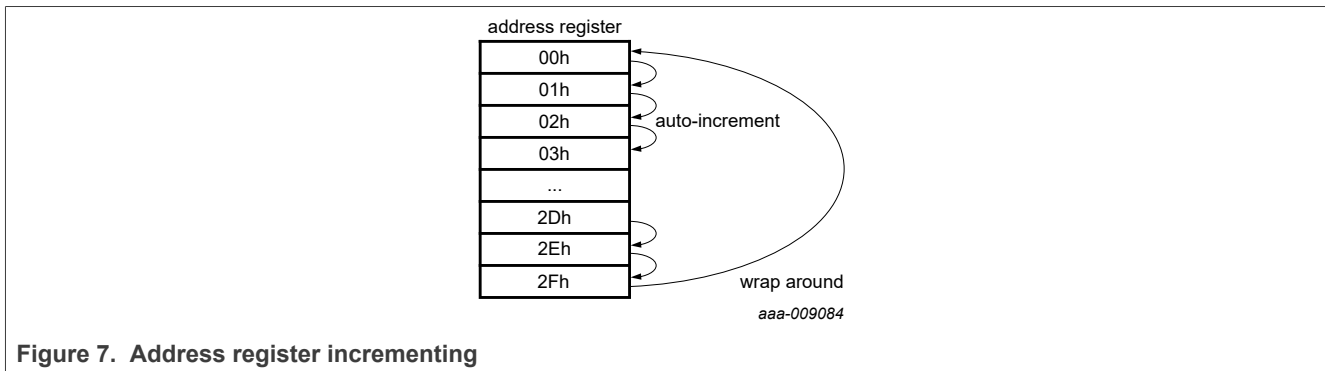


Figure 7. Address register incrementing

All registers (see [Table 4](#), [Table 5](#), and [Table 6](#)) are designed as addressable 8-bit parallel registers although not all bits are implemented. [Figure 8](#) gives an overview of the address map.



Figure 8. Register map

The 100th seconds, seconds, minutes, hours, days, months, and years as well as the corresponding alarm registers are all coded in Binary Coded Decimal (BCD) format. When one of the RTC registers is read, the contents of all time counters are frozen. Therefore, faulty reading of the clock and calendar during a carry condition is prevented.

7.1 Registers organization overview

7.1.1 Time mode registers

The PCF85263A has two time mode register sets, one for the real-time clock mode and one for the stopwatch clock mode. The access to these registers can be switched by the RTCM bit in the Function control register (28h), see [Table 6](#) and [Table 53](#).

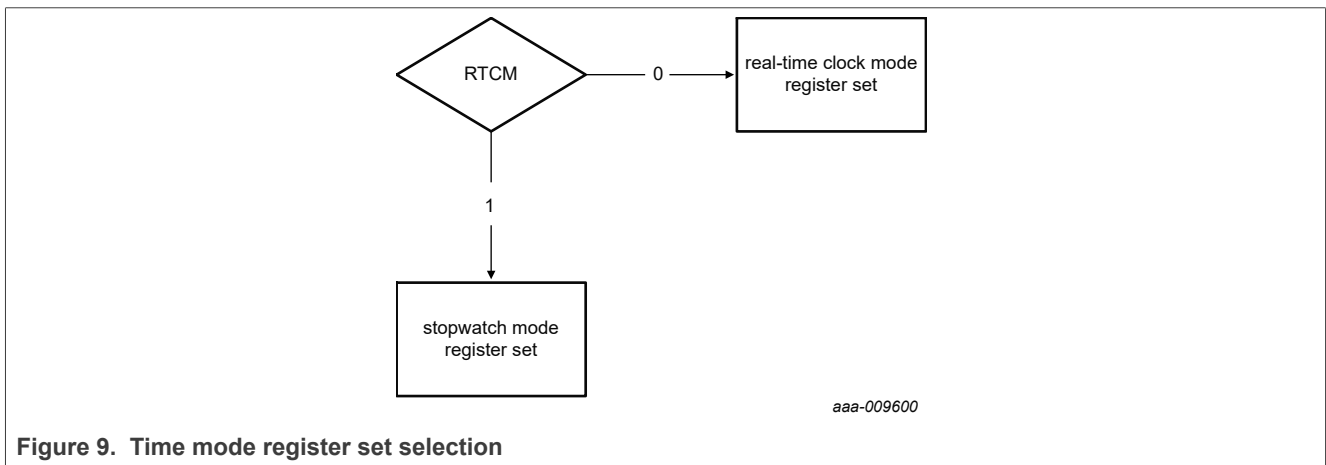


Figure 9. Time mode register set selection

7.1.1.1 RTC mode time registers overview (RTCM = 0)

Table 4. RTC mode time registers

Bit positions labeled as - are not implemented. After reset, all registers are set according to [Table 61](#).

| Address | Register name | Bit | | | | | | | | Reference | | |
|------------------------------------|---------------|-------------------------|----------------------|-------------------------------------|-------------------------------------|---|-------------------|---|---|-----------|-----------------------------|-----------------------------|
| | | 7 | 6 | 5 | 4 | 3 | 2 | 1 | 0 | | | |
| RTC time and date registers | | | | | | | | | | | | |
| 00h | 100th_seconds | 100TH_SECONDS (0 to 99) | | | | | | | | | Section 7.2 | |
| 01h | Seconds | OS | SECONDS (0 to 59) | | | | | | | | | |
| 02h | Minutes | EMON | MINUTES (0 to 59) | | | | | | | | | |
| 03h | Hours | - | - | AMPM | HOURS (1 to 12) in 12 hour mode | | | | | | | |
| | | - | - | HOURS (0 to 23) in 24 hour mode | | | | | | | | |
| 04h | Days | - | - | DAYS (1 to 31) | | | | | | | | |
| 05h | Weekdays | - | - | - | - | - | WEEKDAYS (0 to 6) | | | | | |
| 06h | Months | - | - | - | MONTHS (1 to 12) | | | | | | | |
| 07h | Years | YEARS (0 to 99) | | | | | | | | | | |
| RTC alarm1 | | | | | | | | | | | | |
| 08h | Second_alarm1 | - | SEC_ALARM1 (0 to 59) | | | | | | | | | Section 7.4 |
| 09h | Minute_alarm1 | - | MIN_ALARM1 (0 to 59) | | | | | | | | | |
| 0Ah | Hour_alarm1 | - | - | AMPM | HR_ALARM1 (1 to 12) in 12 hour mode | | | | | | | |
| | | - | - | HR_ALARM1 (0 to 23) in 24 hour mode | | | | | | | | |
| 0Bh | Day_alarm1 | - | - | DAY_ALARM1 (1 to 31) | | | | | | | | |
| 0Ch | Month_alarm1 | - | - | - | MON_ALARM1 (1 to 12) | | | | | | | |
| RTC alarm2 | | | | | | | | | | | | |
| 0Dh | Minute_alarm2 | - | MIN_ALARM2 (0 to 59) | | | | | | | | | Section 7.4 |

Tiny RTC/calendar with alarm function, battery switch-over, time stamp input, and I²C-bus

Table 4. RTC mode time registers...continued

Bit positions labeled as - are not implemented. After reset, all registers are set according to [Table 61](#).

| Address | Register name | Bit | | | | | | | | Reference | |
|----------------------------|----------------|----------------------|------------------------|--------------------------------------|--------------------------------------|---------|----------------------|------------|---------|-----------------------------|-----------------------------|
| | | 7 | 6 | 5 | 4 | 3 | 2 | 1 | 0 | | |
| 0Eh | Hour_alarm2 | - | - | AMPM | HR_ALARM2 (1 to 12) in 12 hour mode | | | | | | |
| 0Fh | Weekday_alarm2 | - | - | - | - | - | WDAY_ALARM2 (0 to 6) | | | | |
| RTC alarm enables | | | | | | | | | | | |
| 10h | Alarm_enables | WDAY_A2E | HR_A2E | MIN_A2E | MON_A1E | DAY_A1E | HR_A1E | MIN_A1E | SEC_A1E | Section 7.4 | |
| RTC timestamp1 (TSR1) | | | | | | | | | | | |
| 11h | TSR1_seconds | - | TSR1_SECONDS (0 to 59) | | | | | | | | Section 7.7 |
| 12h | TSR1_minutes | - | TSR1_MINUTES (0 to 59) | | | | | | | | |
| 13h | TSR1_hours | - | - | AMPM | TSR1_HOURS (1 to 12) in 12 hour mode | | | | | | |
| | | | | TSR1_HOURS (0 to 23) in 24 hour mode | | | | | | | |
| 14h | TSR1_days | - | - | TSR1_DAYS (1 to 31) | | | | | | | |
| 15h | TSR1_months | - | - | - | TSR1_MONTHS (1 to 12) | | | | | | |
| 16h | TSR1_years | TSR1_YEARS (0 to 99) | | | | | | | | | |
| RTC timestamp2 (TSR2) | | | | | | | | | | | |
| 17h | TSR2_seconds | - | TSR2_SECONDS (0 to 59) | | | | | | | | Section 7.7 |
| 18h | TSR2_minutes | - | TSR2_MINUTES (0 to 59) | | | | | | | | |
| 19h | TSR2_hours | - | - | AMPM | TSR2_HOURS (1 to 12) in 12 hour mode | | | | | | |
| | | | | TSR2_HOURS (0 to 23) in 24 hour mode | | | | | | | |
| 1Ah | TSR2_days | - | - | TSR2_DAYS (1 to 31) | | | | | | | |
| 1Bh | TSR2_months | - | - | - | TSR2_MONTHS (1 to 12) | | | | | | |
| 1Ch | TSR2_years | TSR2_YEARS (0 to 99) | | | | | | | | | |
| RTC timestamp3 (TSR3) | | | | | | | | | | | |
| 1Dh | TSR3_seconds | - | TSR3_SECONDS (0 to 59) | | | | | | | | Section 7.7 |
| 1Eh | TSR3_minutes | - | TSR3_MINUTES (0 to 59) | | | | | | | | |
| 1Fh | TSR3_hours | - | - | AMPM | TSR3_HOURS (1 to 12) in 12 hour mode | | | | | | |
| | | | | TSR3_HOURS (0 to 23) in 24 hour mode | | | | | | | |
| 20h | TSR3_days | - | - | TSR3_DAYS (1 to 31) | | | | | | | |
| 21h | TSR3_months | - | - | - | TSR3_MONTHS (1 to 12) | | | | | | |
| 22h | TSR3_years | TSR3_YEARS (0 to 99) | | | | | | | | | |
| RTC timestamp mode control | | | | | | | | | | | |
| 23h | TSR_mode | TSR3M[1:0] | | - | TSR2M[2:0] | | | TSR1M[1:0] | | Section 7.7 | |

7.1.1.2 Stop-watch mode time registers (RTCM = 1)

Table 5. Stop-watch mode time registers

Bit positions labeled as - are not implemented. After reset, all registers are set according to [Table 61](#).

| Address | Register name | Bit | | | | | | | | Reference | |
|---------------------------|----------------|-------------------------|--------------------|---|---|---|---|---|---|-----------|-----------------------------|
| | | 7 | 6 | 5 | 4 | 3 | 2 | 1 | 0 | | |
| Stop-watch time registers | | | | | | | | | | | |
| 00h | 100th_seconds | 100TH_SECONDS (0 to 99) | | | | | | | | | Section 7.3 |
| 01h | Seconds | OS | SECONDS (0 to 59) | | | | | | | | |
| 02h | Minutes | EMON | MINUTES (0 to 59) | | | | | | | | |
| 03h | Hours_xx_xx_00 | HR_XX_XX_00 (0 to 99) | | | | | | | | | |
| 04h | Hours_xx_00_xx | HR_XX_00_XX (0 to 99) | | | | | | | | | |
| 05h | Hours_00_xx_xx | HR_00_XX_XX (0 to 99) | | | | | | | | | |
| 06h | not used | - | - | - | - | - | - | - | - | | |
| 07h | not used | - | - | - | - | - | - | - | - | | |
| Stop-watch alarm1 | | | | | | | | | | | |
| 08h | Second_alm1 | - | SEC_ALM1 (0 to 59) | | | | | | | | Section 7.4 |
| 09h | Minute_alm1 | - | MIN_ALM1 (0 to 59) | | | | | | | | |

Tiny RTC/calendar with alarm function, battery switch-over, time stamp input, and I²C-bus

Table 5. Stop-watch mode time registers...continued

Bit positions labeled as - are not implemented. After reset, all registers are set according to [Table 61](#).

| Address | Register name | Bit | | | | | | | | Reference |
|--|------------------|----------------------------|------------------------|---------|-----------------|-----------------|-----------------|---------|-----------------------------|-----------------------------|
| | | 7 | 6 | 5 | 4 | 3 | 2 | 1 | 0 | |
| 0Ah | Hr_xx_xx_00_alm1 | HR_XX_XX_00_ALM1 (0 to 99) | | | | | | | | |
| 0Bh | Hr_xx_00_xx_alm1 | HR_XX_00_XX_ALM1 (0 to 99) | | | | | | | | |
| 0Ch | Hr_00_xx_xx_alm1 | HR_00_XX_XX_ALM1 (0 to 99) | | | | | | | | |
| Stop-watch alarm2 | | | | | | | | | | |
| 0Dh | Minute_alm2 | - | MIN_ALM2 (0 to 59) | | | | | | | Section 7.4 |
| 0Eh | Hr_xx_00_alm2 | HR_XX_00_ALM2 (0 to 99) | | | | | | | | |
| 0Fh | Hr_00_xx_alm2 | HR_00_XX_ALM2 (0 to 99) | | | | | | | | |
| Stop-watch alarm enables | | | | | | | | | | |
| 10h | Alarm_enables | HR_00_XX_A2E | HR_XX_00_A2E | MIN_A2E | HR_00_XX_XX_A1E | HR_XX_00_XX_A1E | HR_XX_XX_00_A1E | MIN_A1E | SEC_A1E | Section 7.4 |
| Stop-watch timestamp1 (TSR1) | | | | | | | | | | |
| 11h | TSR1_seconds | - | TSR1_SECONDS (0 to 59) | | | | | | | Section 7.7 |
| 12h | TSR1_minutes | - | TSR1_MINUTES (0 to 59) | | | | | | | |
| 13h | TSR1_hr_xx_xx_00 | TSR1_HR_XX_XX_00 (0 to 99) | | | | | | | | |
| 14h | TSR1_hr_xx_00_xx | TSR1_HR_XX_00_XX (0 to 99) | | | | | | | | |
| 15h | TSR1_hr_00_xx_xx | TSR1_HR_00_XX_XX (0 to 99) | | | | | | | | |
| 16h | not used | - | - | - | - | - | - | - | - | |
| Stop-watch timestamp2 (TSR2) | | | | | | | | | | |
| 17h | TSR2_seconds | - | TSR2_SECONDS (0 to 59) | | | | | | | Section 7.7 |
| 18h | TSR2_minutes | - | TSR2_MINUTES (0 to 59) | | | | | | | |
| 19h | TSR2_hr_xx_xx_00 | TSR2_HR_XX_XX_00 (0 to 99) | | | | | | | | |
| 1Ah | TSR2_hr_xx_00_xx | TSR2_HR_XX_00_XX (0 to 99) | | | | | | | | |
| 1Bh | TSR2_hr_00_xx_xx | TSR2_HR_00_XX_XX (0 to 99) | | | | | | | | |
| 1Ch | not used | - | - | - | - | - | - | - | - | |
| Stop-watch timestamp3 (TSR3) | | | | | | | | | | |
| 1Dh | TSR3_seconds | - | TSR3_SECONDS (0 to 59) | | | | | | | Section 7.7 |
| 1Eh | TSR3_minutes | - | TSR3_MINUTES (0 to 59) | | | | | | | |
| 1Fh | TSR3_hr_xx_xx_00 | TSR3_HR_XX_XX_00 (0 to 99) | | | | | | | | |
| 20h | TSR3_hr_xx_00_xx | TSR3_HR_XX_00_XX (0 to 99) | | | | | | | | |
| 21h | TSR3_hr_00_xx_xx | TSR3_HR_00_XX_XX (0 to 99) | | | | | | | | |
| 22h | not used | - | - | - | - | - | - | - | - | |
| Stop-watch timestamp mode control | | | | | | | | | | |
| 23h | TSR_mode | TSR3M[1:0] | | - | TSR2M[2:0] | | TSR1M[1:0] | | Section 7.7 | |

7.1.2 Control registers overview

Table 6. Control and function registers overview

Bit positions labeled as - are not implemented. After reset, all registers are set according to [Table 61](#).

| Address | Register name | Bit | | | | | | | | Reference |
|--------------------------|----------------|-------------|---------|-------|-------|-----------|----------|-------------|------------------------------|------------------------------|
| | | 7 | 6 | 5 | 4 | 3 | 2 | 1 | 0 | |
| Offset register | | | | | | | | | | |
| 24h | Offset | OFFSET[7:0] | | | | | | | | Section 7.8 |
| Control registers | | | | | | | | | | |
| 25h | Oscillator | CLKIV | OFFM | 12_24 | LOWJ | OSCD[1:0] | | CL[1:0] | | Section 7.10 |
| 26h | Battery_switch | - | - | - | BSOFF | BSRR | BSM[1:0] | | BSTH | Section 7.11 |
| 27h | Pin_IO | CLKPDM | TSPULL | TSL | TSIM | TSPM[1:0] | | INTAPM[1:0] | | Section 7.12 |
| 28h | Function | 100TH | PI[1:0] | | RTCM | STOPM | COF[2:0] | | Section 7.13 | |
| 29h | INTA_enable | ILPA | PIEA | OIEA | A1IEA | A2IEA | TSRIEA | BSIEA | WDIEA | Section 7.9 |
| 2Ah | INTB_enable | ILPB | PIEB | OIEB | A1IEB | A2IEB | TSRIEB | BSIEB | WDIEB | Section 7.9 |
| 2Bh | Flags | PIF | A2F | A1F | WDF | BSF | TSR3F | TSR2F | TSR1F | Section 7.14 |

Table 6. Control and function registers overview...continued

Bit positions labeled as - are not implemented. After reset, all registers are set according to [Table 61](#).

| Address | Register name | Bit | | | | | | | | Reference |
|--------------------|---------------|--------|----------|---|---|----|----------|---|------|------------------------------|
| | | 7 | 6 | 5 | 4 | 3 | 2 | 1 | 0 | |
| RAM byte | | | | | | | | | | |
| 2Ch | RAM_byte | B[7:0] | | | | | | | | Section 7.6 |
| WatchDog registers | | | | | | | | | | |
| 2Dh | WatchDog | WDM | WDR[4:0] | | | | WDS[1:0] | | | Section 7.5 |
| Stop | | | | | | | | | | |
| 2Eh | Stop_enable | - | - | - | - | - | - | - | STOP | Section 7.16 |
| Reset | | | | | | | | | | |
| 2Fh | Resets | CPR | 0 | 1 | 0 | SR | 1 | 0 | CTS | Section 7.15 |

7.2 RTC mode time and date registers

RTC mode is enabled by setting RTCM = 0. These registers are coded in the BCD format to simplify application use.

Default state is:

Time: 00:00:00.00

Date: 2000 01 01

Weekday: Saturday

Monitor bits: OS = 1, EMON = 0

Table 7. Time and date registers in RTC mode (RTCM = 0)

Bit positions labeled as - are not implemented and return 0 when read.

| Address | Register name | Upper-digit (ten's place) | | | | Digit (unit place) | | | |
|---------|------------------------------|---------------------------|--------|--------|--------|--------------------|--------|-------|-------|
| | | Bit 7 | Bit 6 | Bit 5 | Bit 4 | Bit 3 | Bit 2 | Bit 1 | Bit 0 |
| 00h | 100th_seconds ^[1] | 0 to 9 | | | | 0 to 9 | | | |
| 01h | Seconds | OS | 0 to 5 | | | 0 to 9 | | | |
| 02h | Minutes | EMON | 0 to 5 | | | 0 to 9 | | | |
| 03h | Hours ^[2] | - | - | AMPM | 0 to 1 | 0 to 9 | | | |
| | | | | 0 to 2 | | 0 to 9 | | | |
| 04h | Days ^[3] | - | - | 0 to 3 | | 0 to 9 | | | |
| 05h | Weekdays | - | - | - | - | - | 0 to 6 | | |
| 06h | Months | - | - | - | 0 to 1 | 0 to 9 | | | |
| 07h | Years | 0 to 9 | | | | 0 to 9 | | | |

[1] The 100th_seconds register is only available when the 100TH mode is enabled, see [Section 7.13.1](#). When the 100TH mode is disabled, this register always returns 0.

[2] Hour mode is set by the 12_24 bit in the Oscillator register, see [Section 7.10](#).

[3] If the year counter contains a value, which is exactly divisible by 4, the PCF85263A compensates for leap years by adding a 29th day to February.

7.2.1 Definition of BCD

The Binary-Coded Decimal (BCD) is an encoding of numbers where each digit is represented by a separate bit field. Each bit field may only contain the values 0 to 9. In this way, decimal numbers and counting is implemented.

Example: 59 encoded as an entire number is represented by 3Bh or 11 1011. In BCD the 5 is represented as 5h or 0101 and the 9 as 9h or 1001 which combines to 59h.

Table 8. BCD coding

| Value in decimal | Upper-digit (ten's place) | | | | Digit (unit place) | | | |
|------------------|---------------------------|-------|-------|-------|--------------------|-------|-------|-------|
| | Bit 7 | Bit 6 | Bit 5 | Bit 4 | Bit 3 | Bit 2 | Bit 1 | Bit 0 |
| 00 | 0 | 0 | 0 | 0 | 0 | 0 | 0 | 0 |
| 01 | 0 | 0 | 0 | 1 | 0 | 0 | 0 | 1 |
| 02 | 0 | 0 | 1 | 0 | 0 | 0 | 1 | 0 |
| : | : | : | : | : | : | : | : | : |
| 09 | 1 | 0 | 0 | 1 | 1 | 0 | 0 | 1 |
| 10 | 0 | 0 | 0 | 0 | 0 | 0 | 0 | 0 |
| : | : | : | : | : | : | : | : | : |
| 98 | 1 | 0 | 0 | 1 | 1 | 0 | 0 | 0 |
| 99 | 1 | 0 | 0 | 1 | 1 | 0 | 0 | 1 |

7.2.2 OS: Oscillator stop

When the oscillator of the PCF85263A is stopped, the OS status bit is set. The oscillator can be stopped, for example, by connecting one of the oscillator pins OSC1 or OSC0 to ground. The oscillator is considered to be stopped during the time between power-on and stable crystal resonance. This time can be in the range of 200 ms to 2 s depending on crystal type, temperature, and supply voltage.

The status bit remains set until cleared by command (see Figure 10). If the bit cannot be cleared, then the oscillator is not running. This method can be used to monitor the oscillator and to determine if the supply voltage has reduced to the point where oscillation fails.

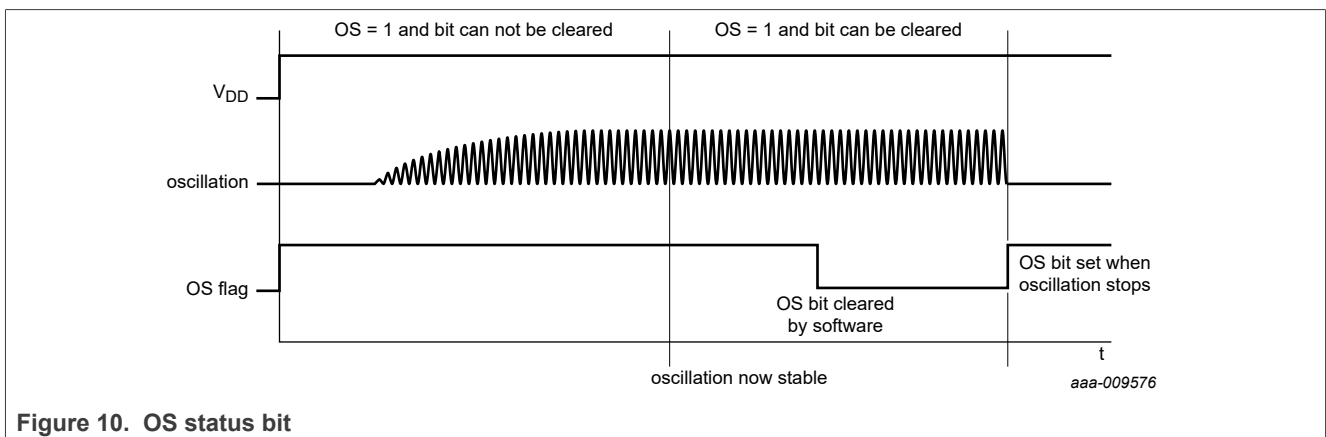


Figure 10. OS status bit

7.2.3 EMON: event monitor

The EMON can be used to monitor the status of all the flags in the Flags register, see Section 7.14. When one or more of the flags is set, then the EMON bit returns a logic 1. The EMON bit cannot be cleared. EMON returns a logic 0 when all flags are cleared.

See Figure 23 for a pictorial representation.

7.2.4 Definition of weekdays

Definition may be reassigned by the user.

Table 9. Weekday assignments

| Day | Bit | | |
|-----------|-----|---|---|
| | 2 | 1 | 0 |
| Sunday | 0 | 0 | 0 |
| Monday | 0 | 0 | 1 |
| Tuesday | 0 | 1 | 0 |
| Wednesday | 0 | 1 | 1 |
| Thursday | 1 | 0 | 0 |
| Friday | 1 | 0 | 1 |
| Saturday | 1 | 1 | 0 |

7.2.5 Definition of months

Table 10. Month assignments in BCD format

| Month | Upper-digit (ten's place) | Digit (unit place) | | | |
|-----------|---------------------------|--------------------|-------|-------|-------|
| | Bit 4 | Bit 3 | Bit 2 | Bit 1 | Bit 0 |
| January | 0 | 0 | 0 | 0 | 1 |
| February | 0 | 0 | 0 | 1 | 0 |
| March | 0 | 0 | 0 | 1 | 1 |
| April | 0 | 0 | 1 | 0 | 0 |
| May | 0 | 0 | 1 | 0 | 1 |
| June | 0 | 0 | 1 | 1 | 0 |
| July | 0 | 0 | 1 | 1 | 1 |
| August | 0 | 1 | 0 | 0 | 0 |
| September | 0 | 1 | 0 | 0 | 1 |
| October | 1 | 0 | 0 | 0 | 0 |
| November | 1 | 0 | 0 | 0 | 1 |
| December | 1 | 0 | 0 | 1 | 0 |

7.2.6 Setting and reading the time in RTC mode

[Figure 11](#) shows the data flow and data dependencies starting from the 100 Hz clock tick.

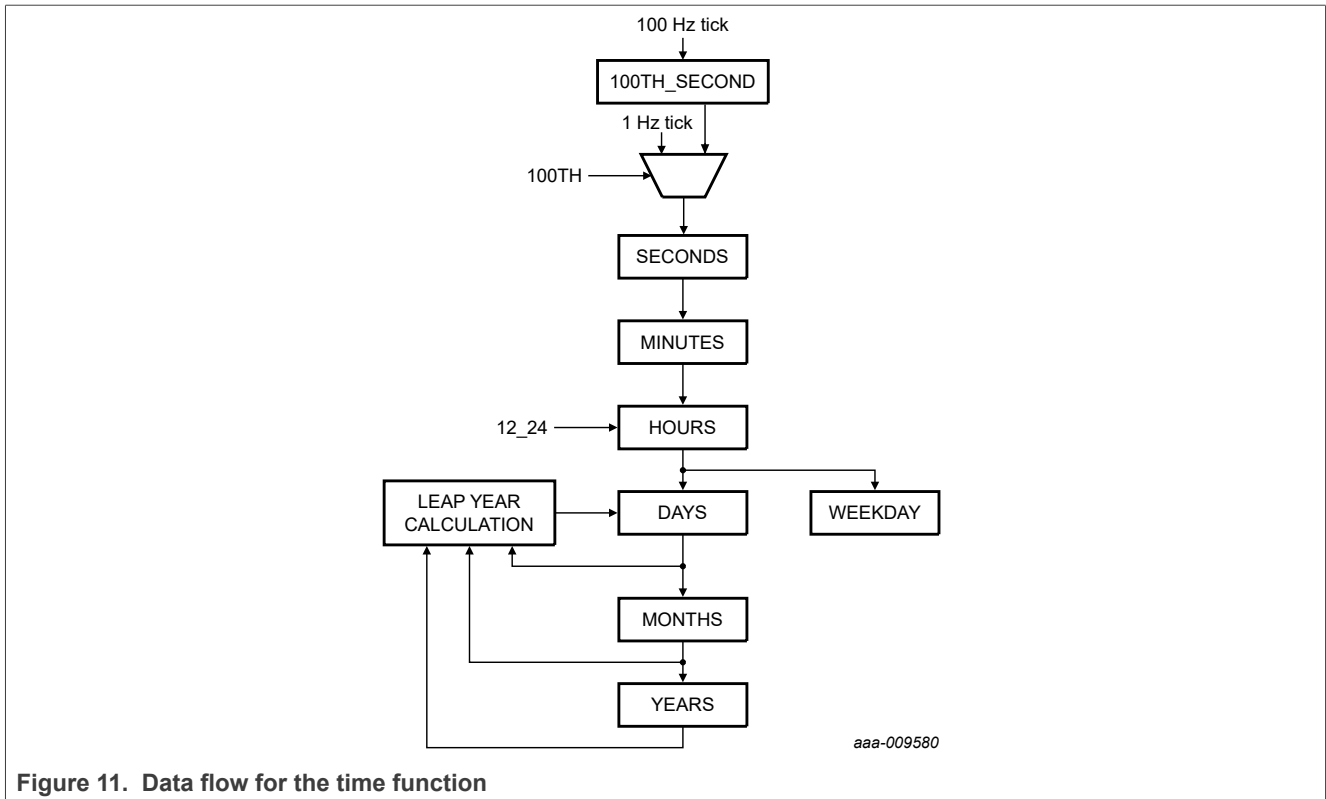


Figure 11. Data flow for the time function

During read operations, the time counting circuits (memory locations 00h through 07h) are copied into an output register. The RTC continues counting in the background.

When reading or writing the time it is very important to make a read or write access in one go, that is, setting or reading 100th seconds through to years should be made in one single access. Failing to comply with this method could result in the time becoming corrupted.

As an example, if the time (seconds through to hours) is set in one access and then in a second access the date is set, it is possible that the time increments between the two accesses. A similar problem exists when reading. A roll-over may occur between reads thus giving the minutes from one moment and the hours from the next.

Before setting the time, the STOP bit should be set and the prescalers should be cleared (see [Section 7.16](#)).

An example of setting the time: 14 hours, 23 minutes and 19 seconds.

- I²C START condition
- I²C target address + write (A2h)
- register address (2Eh)
- write data (set STOP, 01h)
- write data (clear prescaler, A4h)
- write data (100th seconds, 00h)
- write data (Hours, 14h)
- write data (Minutes, 23h)
- write data (Seconds, 19h)
- I²C START condition
- I²C target address + write (A2h)
- register address (2Eh)

- write data (clear STOP, 00h). Time starts counting from this point
- I²C STOP condition

7.3 Stop-watch mode time registers

These registers are coded in the BCD format to simplify application use.

Stop-watch mode is enabled by setting RTCM = 1. In stop-watch mode, the PCF85263A counts from 100th seconds to 99 9 999 hours. There are no days, weekdays, months or year registers.

Default state is:

Time

00 00 00:00:00.00

Monitor bits

OS = 1, EMON = 0 (see [Section 7.2.2](#) and [Section 7.2.3](#))

Table 11. Time registers in stop-watch mode (RTCM = 1)

Bit positions labeled as - are not implemented and return 0 when read.

| Address | Register name | Upper-digit (ten's place) | | | | Digit (unit place) | | | |
|---------|------------------------------|---------------------------|--------|-------|-------|--------------------|-------|-------|-------|
| | | Bit 7 | Bit 6 | Bit 5 | Bit 4 | Bit 3 | Bit 2 | Bit 1 | Bit 0 |
| 00h | 100th_seconds ^[1] | 0 to 9 | | | | 0 to 9 | | | |
| 01h | Seconds | OS | 0 to 5 | | | 0 to 9 | | | |
| 02h | Minutes | EMON | 0 to 5 | | | 0 to 9 | | | |
| 03h | Hours_xx_xx_00 | 0 to 9 | | | | 0 to 9 | | | |
| 04h | Hours_xx_00_xx | 0 to 9 | | | | 0 to 9 | | | |
| 05h | Hours_00_xx_xx | 0 to 9 | | | | 0 to 9 | | | |
| 06h | not used | - | - | - | - | - | - | - | - |
| 07h | not used | - | - | - | - | - | - | - | - |

[1] The 100th_seconds register is only available when the 100TH mode is enabled, see [Section 7.13.1](#). When the 100TH mode is disabled, this register always returns 0.

7.3.1 Setting and reading the time in stop-watch mode

[Figure 12](#) shows the data flow and data dependencies starting from the 100 Hz clock tick.

During read operations, the time counting circuits (memory locations 00h through 07h) are copied into an output register. The RTC continues counting in the background.

When reading or writing the time it is very important to make a read or write access in one go, that is, setting or reading 100th_seconds through to HR_00_xx_xx should be made in one single access. Failing to comply with this method could result in the time becoming corrupted.

As an example, if the seconds value is set in one access and then in a following access the minutes value is set, it is possible that the time increments between the two accesses. A similar problem exists when reading. A roll-over may occur between reads thus giving the seconds from one moment and the minutes from the next.

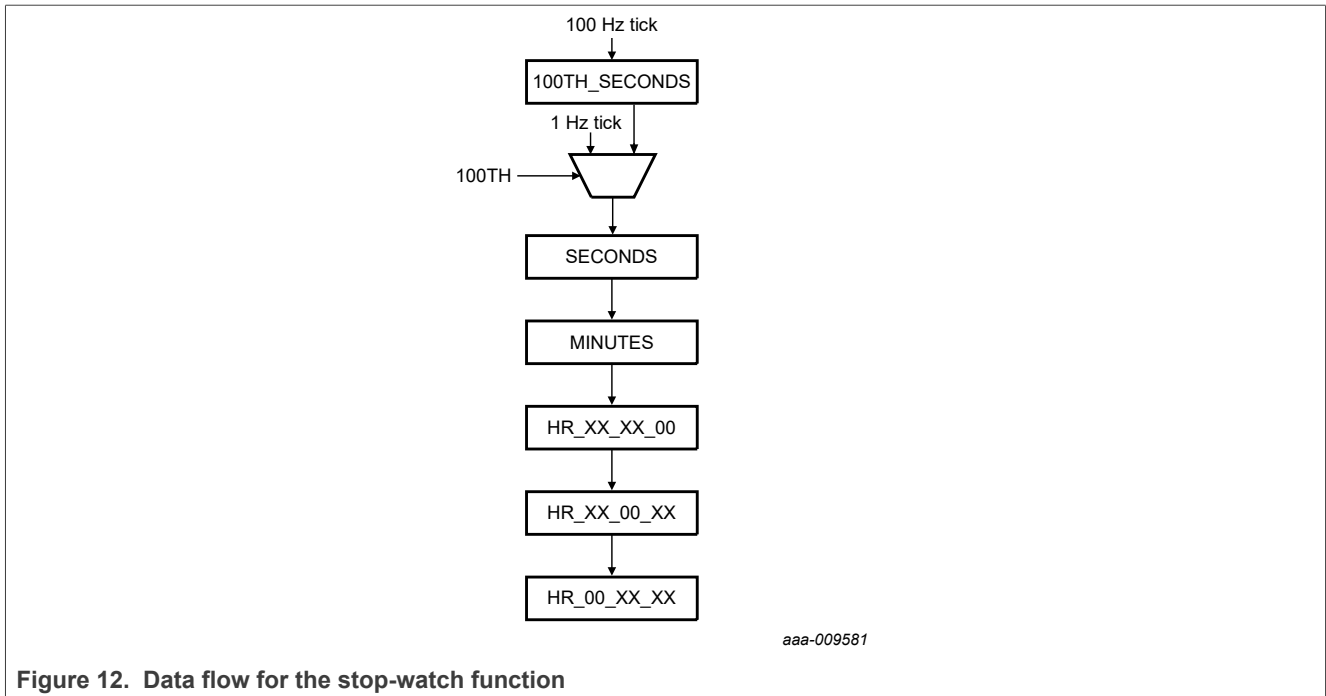


Figure 12. Data flow for the stop-watch function

7.4 Alarms

There are two independent alarms. Each is separately configured and may be used to generate an interrupt. In RTC mode, an alarm is configured for time and date. In stop-watch mode when the RTC is functioning as an elapsed time counter, an alarm is configured for time only.

7.4.1 Alarms in RTC mode

In RTC mode, Alarm 1 can be configured from seconds to months. Alarm 2 operates on minutes, hours and weekday. Each segment of the time is independently enabled. Alarms can be output on the \overline{INTA} and \overline{INTB} pins.

7.4.1.1 Alarm1 and alarm2 registers in RTC mode

Setting the time for alarm1: Only the information which is relevant for the alarm condition must to be programmed. The unused parts are ignored.

Table 12. Alarm1 and alarm2 registers in RTC mode coded in BCD (RTCM = 0)

Bit positions labeled as - are not implemented.

| Address | Register name | Upper-digit (ten's place) | | | | Digit (unit place) | | | |
|-----------------------------|---------------|---------------------------|--------|--------|--------|--------------------|-------|-------|-------|
| | | Bit 7 | Bit 6 | Bit 5 | Bit 4 | Bit 3 | Bit 2 | Bit 1 | Bit 0 |
| RTC alarm1 registers | | | | | | | | | |
| 08h | Second_alarm1 | - | 0 to 5 | | | 0 to 9 | | | |
| 09h | Minute_alarm1 | - | 0 to 5 | | | 0 to 9 | | | |
| 0Ah | Hour_alarm1 | - | - | AMPM | 0 to 1 | 0 to 9 | | | |
| | | | | 0 to 2 | | 0 to 9 | | | |
| 0Bh | Day_alarm1 | - | - | 0 to 3 | | 0 to 9 | | | |
| 0Ch | Month_alarm1 | - | - | - | 0 to 1 | 0 to 9 | | | |

Tiny RTC/calendar with alarm function, battery switch-over, time stamp input, and I²C-bus

Table 12. Alarm1 and alarm2 registers in RTC mode coded in BCD (RTCM = 0)...continued

Bit positions labeled as - are not implemented.

| Address | Register name | Upper-digit (ten's place) | | | | Digit (unit place) | | | |
|-----------------------------|----------------|---------------------------|--------|--------|--------|--------------------|--------|-------|-------|
| | | Bit 7 | Bit 6 | Bit 5 | Bit 4 | Bit 3 | Bit 2 | Bit 1 | Bit 0 |
| RTC alarm2 registers | | | | | | | | | |
| 0Dh | Minute_alarm2 | - | 0 to 5 | | | 0 to 9 | | | |
| 0Eh | Hour_alarm2 | - | - | AMPM | 0 to 1 | 0 to 9 | | | |
| | | | | 0 to 2 | | 0 to 9 | | | |
| 0Fh | Weekday_alarm2 | - | - | - | - | - | 0 to 6 | | |

7.4.1.2 Alarm1 and alarm2 control in RTC mode

Table 13. Alarm_enables- alarm enable control register (address 10h) bit description

| Bit | Symbol | Value | Description |
|-------------------|----------|------------------|------------------------------|
| RTC alarm2 | | | |
| 7 | WDAY_A2E | | weekday alarm2 enable |
| | | 0 ^[1] | disabled |
| | | 1 | enabled |
| 6 | HR_A2E | | hour alarm2 enable |
| | | 0 ^[1] | disabled |
| | | 1 | enabled |
| 5 | MIN_A2E | | minute alarm2 enable |
| | | 0 ^[1] | disabled |
| | | 1 | enabled |
| RTC alarm1 | | | |
| 4 | MON_A1E | | month alarm1 enable |
| | | 0 ^[1] | disabled |
| | | 1 | enabled |
| 3 | DAY_A1E | | day alarm1 enable |
| | | 0 ^[1] | disabled |
| | | 1 | enabled |
| 2 | HR_A1E | | hour alarm1 enable |
| | | 0 ^[1] | disabled |
| | | 1 | enabled |
| 1 | MIN_A1E | | minute alarm1 enable |
| | | 0 ^[1] | disabled |
| | | 1 | enabled |
| 0 | SEC_A1E | | second alarm1 enable |
| | | 0 ^[1] | disabled |

Table 13. Alarm_enables- alarm enable control register (address 10h) bit description...continued

| Bit | Symbol | Value | Description |
|-----|--------|-------|-------------|
| | | 1 | enabled |

[1] Default value.

7.4.1.3 Alarm1 and alarm2 function in RTC mode

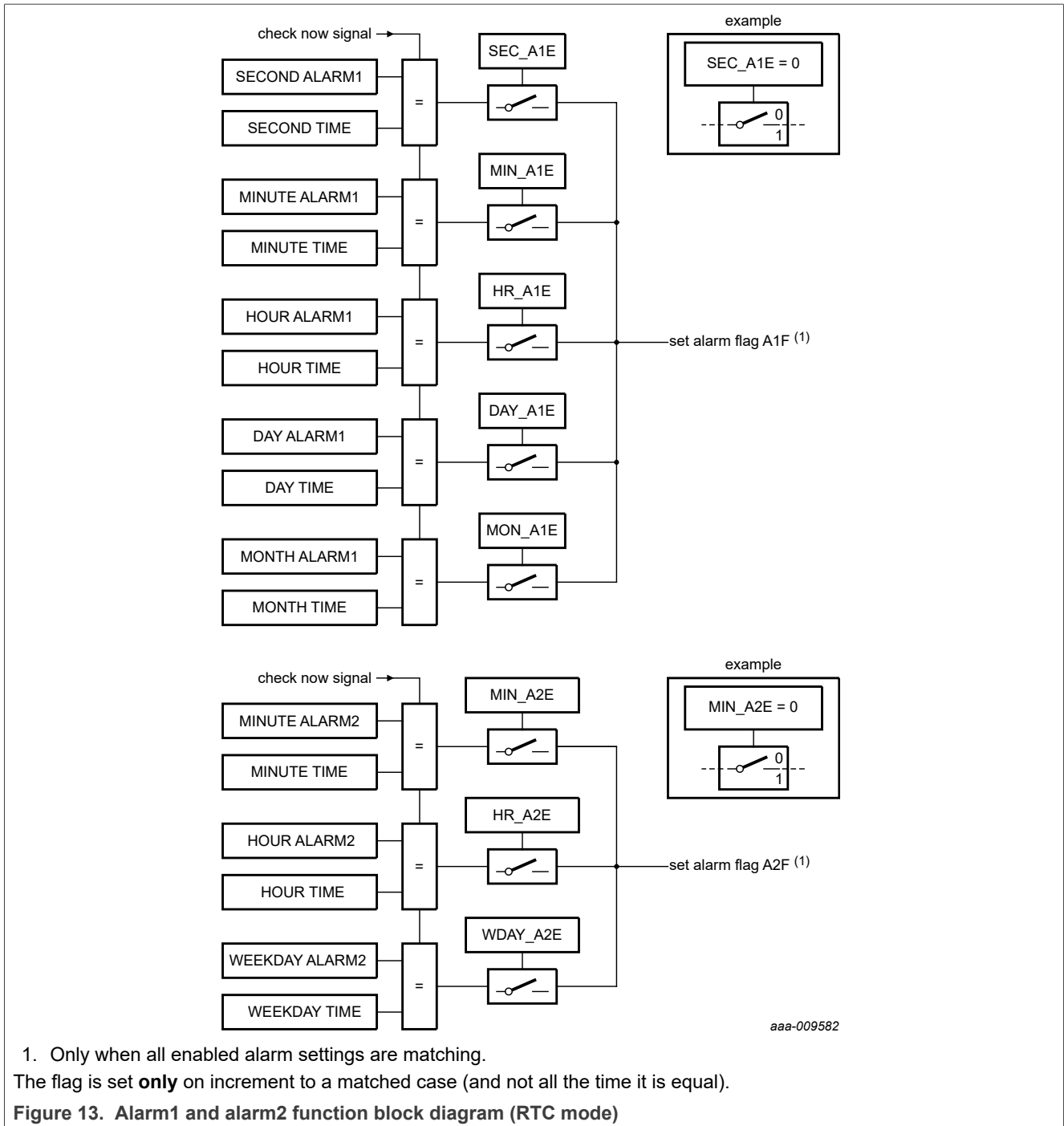
The registers at addresses 08h through 0Ch contain alarm1 information. When one or more of these registers is loaded with second, minute, hour, day, or month, and its corresponding alarm enable bit (SEC_A1E to MON_A1E) is set logic 1, then that information is compared with the current second, minute, hour, day, and month.

The registers at addresses 0Dh through 0Fh contain alarm2 information. When one or more of these registers is loaded with minute, hour or weekday, and its corresponding alarm enable bit (MIN_A2E to WDAY_A2E) is set logic 1, then that information is compared with the current minute, hour and weekday.

Alarm registers which have their alarm enable bit at logic 0 are ignored.

When the time increments to match the enabled alarms, the alarm flag in the Flags register ([Section 7.14](#)) is set. A1F for alarm1 and A2F for alarm2. The alarm flag is cleared by command.

When the time increments to match the enabled alarms, an interrupt can be generated. See [Section 7.4.3](#).



7.4.2 Alarms in stop-watch mode

In stop-watch mode, Alarm 1 can be configured from seconds to 999 999 hours. Alarm 2 operates on minutes up to 9 999 hours.

7.4.2.1 Alarm1 and alarm2 registers in stop-watch mode

Setting the time for alarm1 and alarm2: Only the information which is relevant for the alarm condition must to be programmed. The unused parts are ignored.

Table 14. Alarm1 and alarm2 registers in stop-watch mode coded in BCD (RTCM = 1)

Bit positions labeled as - are not implemented.

| Address | Register name | Upper-digit (ten's place) | | | | Digit (unit place) | | | |
|------------------------------------|------------------|---------------------------|--------|-------|-------|--------------------|-------|-------|-------|
| | | Bit 7 | Bit 6 | Bit 5 | Bit 4 | Bit 3 | Bit 2 | Bit 1 | Bit 0 |
| Stop-watch alarm1 registers | | | | | | | | | |
| 08h | Second_alm1 | - | 0 to 5 | | | 0 to 9 | | | |
| 09h | Minute_alm1 | - | 0 to 5 | | | 0 to 9 | | | |
| 09h | Hr_xx_xx_00_alm1 | 0 to 9 | | | | 0 to 9 | | | |
| 0Bh | Hr_xx_00_xx_alm1 | 0 to 9 | | | | 0 to 9 | | | |
| 0Ch | Hr_00_xx_xx_alm1 | 0 to 9 | | | | 0 to 9 | | | |
| Stop-watch alarm2 registers | | | | | | | | | |
| 0Dh | Minute_alm2 | - | 0 to 5 | | | 0 to 9 | | | |
| 0Eh | Hr_xx_00_alm2 | 0 to 9 | | | | 0 to 9 | | | |
| 0Fh | Hr_00_xx_alm2 | 0 to 9 | | | | 0 to 9 | | | |

7.4.2.2 Alarm1 and alarm2 control in stop-watch mode

Table 15. Alarm_enables- alarm enable control register (address 10h) bit description

| Bit | Symbol | Value | Description |
|--------------------------|-----------------|------------------|---|
| Stop-watch alarm2 | | | |
| 7 | HR_00_XX_A2E | | thousands of hours alarm2 enable |
| | | 0 ^[1] | disabled |
| | | 1 | enabled |
| 6 | HR_XX_00_A2E | | tens of hours alarm2 enable |
| | | 0 ^[1] | disabled |
| | | 1 | enabled |
| 5 | MIN_A2E | | minute alarm2 enable |
| | | 0 ^[1] | disabled |
| | | 1 | enabled |
| Stop-watch alarm1 | | | |
| 4 | HR_00_XX_XX_A1E | | 100 thousands of hours alarm1 enable |
| | | 0 ^[1] | disabled |
| | | 1 | enabled |
| 3 | HR_XX_00_XX_A1E | | thousands of hours alarm1 enable |
| | | 0 ^[1] | disabled |
| | | 1 | enabled |

Table 15. Alarm_enables- alarm enable control register (address 10h) bit description...continued

| Bit | Symbol | Value | Description |
|-----|-----------------|------------------|-----------------------------------|
| 2 | HR_XX_XX_00_A1E | | tens of hour alarm1 enable |
| | | 0 ^[1] | disabled |
| | | 1 | enabled |
| 1 | MIN_A1E | | minute alarm1 enable |
| | | 0 ^[1] | disabled |
| | | 1 | enabled |
| 0 | SEC_A1E | | second alarm1 enable |
| | | 0 ^[1] | disabled |
| | | 1 | enabled |

[1] Default value.

7.4.2.3 Alarm1 and alarm2 function in stop-watch mode

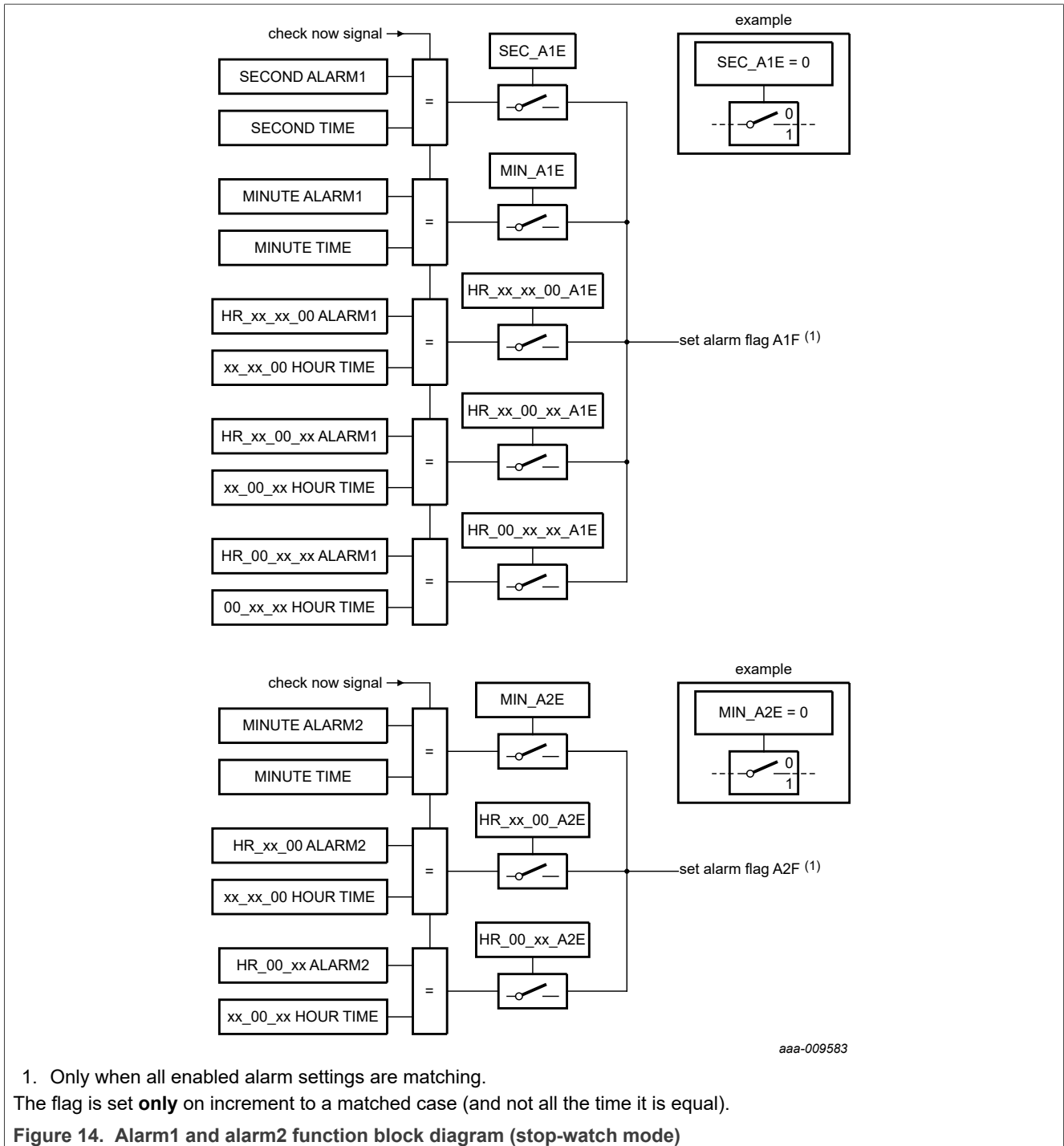
The registers at addresses 08h through 0Ch contain alarm1 information. When one or more of these registers is loaded with second, minute, and hours, and its corresponding alarm enable bit (SEC_A1E to HR_00_XX_XX_A1E) is set logic 1, then that information is compared with the current second, minute, and hours.

The registers at addresses 0Dh through 0Fh contain alarm2 information. When one or more of these registers is loaded with minute and hours, and its corresponding alarm enable bit (MIN_A2E to HR_00_XX_A2E) is set logic 1, then that information is compared with the current minute and hours.

Alarm registers which have their alarm enable bit at logic 0 are ignored.

When the time increments to match the enabled alarms, the alarm flag in the Flags register ([Section 7.14](#)) is set. A1F for alarm1 and A2F for alarm2. The alarm flag is cleared by command.

When the time increments to match the enabled alarms, an interrupt can be generated. See [Section 7.4.3](#).



7.4.3 Alarm interrupts

The generation of interrupts from the alarm functions is controlled via the alarm interrupt enable bits; A1IEA, A1IEB, A2IEA, A2IEB. These bits are in registers INTA_enable (address 29h) and INTB_enable (address 2Ah).

The assertion of flags A1F or A2F can be used to generate an interrupt at the pins \overline{INTA} and \overline{INTB} . The interrupt may be generated as a pulse signal every time the time increments to match the alarm setting or as

a permanently active signal which follows the condition of bit A1F and/or A2F. See [Section 7.9](#) for interrupt control.

A1F and A2F remain set until cleared by command. Once an alarm flag has been cleared, it will only be set again when the time increments to match the alarm condition once more.

When an interrupt pin is configured to pulse mode and if an alarm flag is not cleared and the time increments to match the alarm condition again, then a repeated interrupt pulse will be generated.

7.5 WatchDog

Table 16. WatchDog - WatchDog control and register (address 2Dh) bit description

| Bit | Symbol | Value | Description |
|--------|----------|--------------------------|--|
| 7 | WDM | | WatchDog mode |
| | | 0 ^[1] | single shot |
| | | 1 | repeat mode |
| 6 to 2 | WDR[4:0] | | WatchDog register bits |
| | | 0h ^[1] to 1Fh | Write: WatchDog counter load value |
| | | 0h to 1Fh | Read: current counter value |
| 1 to 0 | WDS[1:0] | | WatchDog step size (source clock) |
| | | 00 ^[1] | 4 seconds (0.25 Hz) |
| | | 01 | 1 second (1 Hz) |
| | | 10 | $\frac{1}{4}$ second (4 Hz) |
| | | 11 | $\frac{1}{16}$ second (16 Hz) |

[1] Default value.

7.5.1 WatchDog functions

The WatchDog has four selectable step sizes allowing for periods in the range from 62.5 ms to 124 seconds. For periods greater than 2 minutes, the alarm function can be used.

$$WatchDog\text{-duration} = WDR \times stepsize \tag{1}$$

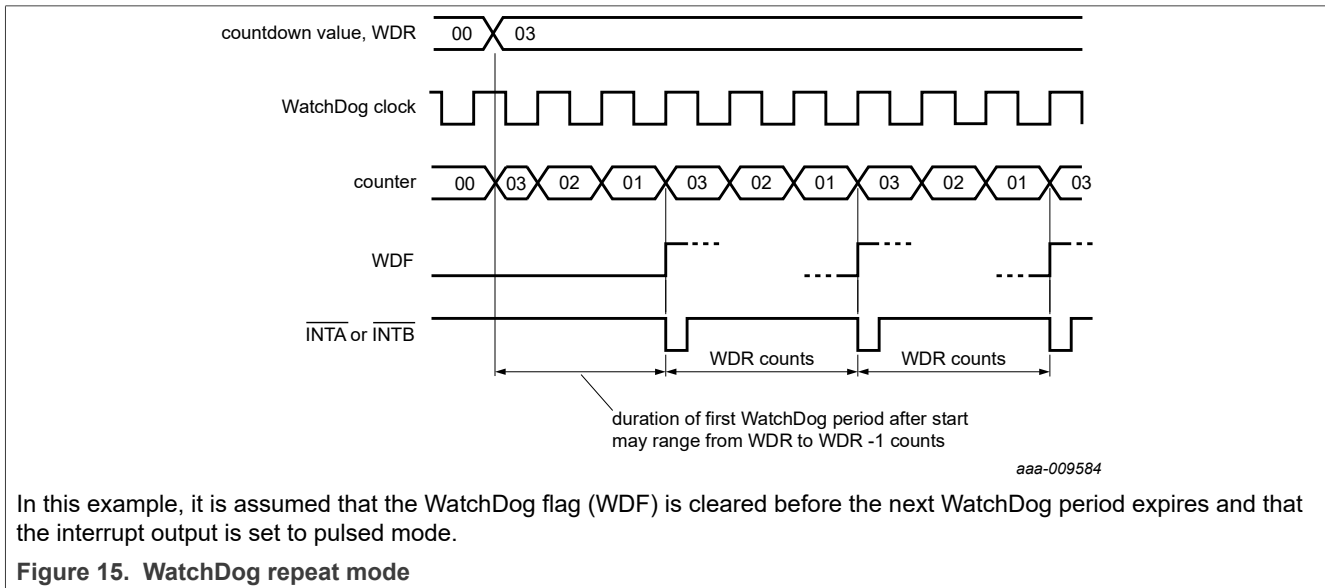
Table 17. WatchDog durations

| WDS[1:0] | WatchDog step size ^[1] | Delay | |
|----------|-----------------------------------|--------------------------------------|---------------------------------------|
| | | Minimum WatchDog duration WDR = 1 | Maximum WatchDog duration WDR = 31 |
| 00 | 4 s | 4 s | 124 s |
| 01 | 1 s | 1 s | 31 s |
| 10 | $\frac{1}{4}$ s | 0.25 s | 7.75 s |
| 11 | $\frac{1}{16}$ s | 0.0625 s | 1.9375 s |

[1] Time periods can be affected by correction pulses.

Remark: Note that all timings are generated from the 32.768 kHz oscillator and are based on the assumption that there is 0 ppm deviation. Deviation in oscillator frequency results in deviation in timings. This is not applicable to interface timing.

The WatchDog counts down from a software-loaded 5-bit binary value, WDR[4:0], in register WatchDog. Loading the counter with 0 stops the WatchDog. Loading the counter with a non-0 value starts the counter. Values from 1 to 31 are allowed.



If a new value of WDR[4:0] is written before the end of the current WatchDog period, then this value takes immediate effect.

When starting the timer for the first time or when reloading WDR[4:0] before the end of the current period, the first period has an uncertainty of maximum one count. The uncertainty is a result of loading the WDR[4:0] from the interface clock which is asynchronous from the WatchDog source clock. Subsequent WatchDog periods do not have such variation.

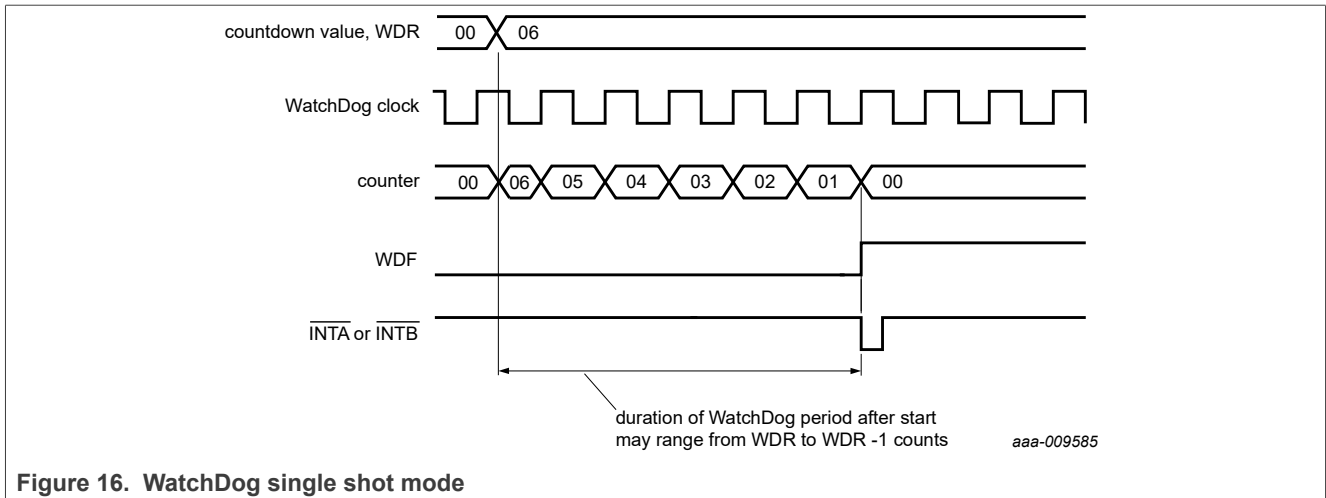
Reading the WatchDog register returns the current value of the WatchDog counter (see [Figure 15](#)) and **not** the initial value WDR[4:0]. Since it is not possible to freeze the WatchDog counter during read back, it is recommended to read the register twice and check for consistent results.

7.5.1.1 WatchDog repeat mode

In repeat mode, at the end of every WatchDog period, the WatchDog flag (bit WDF in the Flags register, [Section 7.14](#)) is set and the counter automatically reloads and starts the next WatchDog period. An example is given in [Figure 15](#). The asserted bit WDF can be used to generate an interrupt. Bit WDF can only be cleared by command.

7.5.1.2 WatchDog single shot mode

In single shot mode, at the end of the countdown period, the WatchDog flag (bit WDF in the Flags register, [Section 7.14](#)) is set and the counter stops with the value 0. The WatchDog register must be reloaded to start another WatchDog period.



7.5.1.3 WatchDog interrupts

The generation of interrupts from the WatchDog functions is controlled via the WatchDog interrupt enable bits; WDIEA and WDIEB. These bits are in registers INTA_enable (address 29h) and INTB_enable (address 2Ah).

The assertion of the flag WDF can be used to generate an interrupt at pins $\overline{\text{INTA}}$ and $\overline{\text{INTB}}$. The interrupt may be generated as a pulsed signal every time the WatchDog counter reaches the end of the countdown period. Alternatively as a permanently active signal which follows the condition of bit WDF. WDF remains set until cleared by command.

When enabled, interrupts are triggered every time the WatchDog counter reaches the end of the countdown period and even if the WDF is not cleared, an interrupt pulse can be generated.

See [Section 7.9](#) for interrupt control.

7.6 RAM byte

Table 18. RAM_byte - 8-bit RAM register (address 2Ch) bit description

| Bit | Symbol | Value | Description |
|--------|--------|---------------------------------------|-------------|
| 7 to 0 | B[7:0] | 0000 0000 ^[1] to 1111 1111 | RAM content |

[1] Default value.

The PCF85263A provides a free RAM byte, which can be used for any purpose, for example, status bits of the system.

7.7 Timestamps

There are three timestamp registers which can be independently configured to record the time for battery switch-over events and/or transitions on the TS pin.

Each timestamp register has an associated flag. It is also possible to generate an interrupt signal for every timestamp register update.

Timestamps work in both RTC and stop-watch mode. During battery operation, the mechanical switch detector may also be used to trigger the timestamp.

The timestamp registers are read only and cannot be written. It is possible to set all three registers to 0 with the CTS instruction in the Resets register ([Section 7.15](#)).

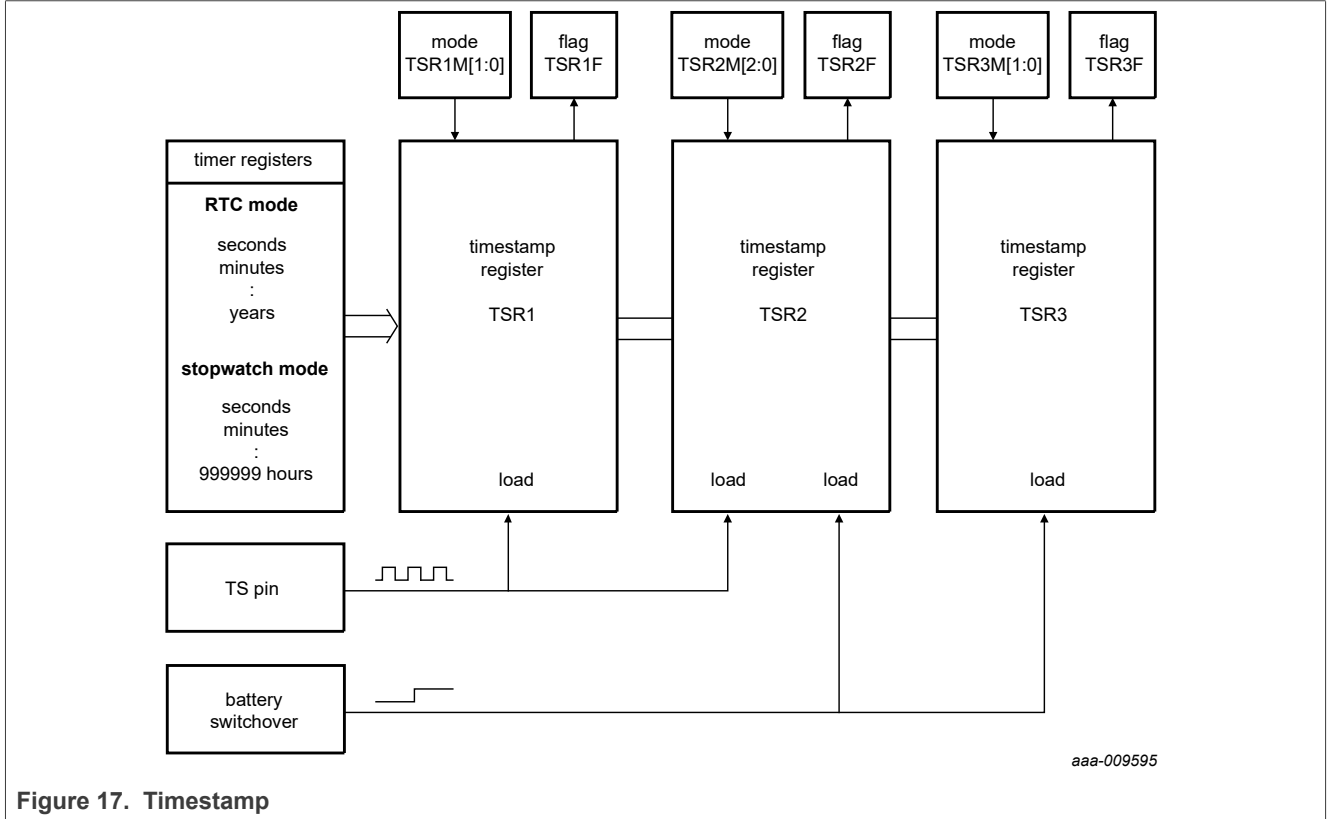


Figure 17. Timestamp

The mode for each register is controlled by the TSR_mode register.

Table 19. TSR_mode - timestamp mode control register (address 23h) bit description

| Bit | Symbol | Value | Description |
|--------------------------|------------|-------------------|---|
| Timestamp3 (TSR3) | | | |
| 7 to 6 | TSR3M[1:0] | | timestamp register 3 mode |
| | | 00 ^[1] | no timestamp |
| | | 01 | FB, record F irst time switch to B attery event |
| | | 10 | LB, record L ast time switch to B attery event |
| | | 11 | LV, record L ast time switch to V _{DD} event |
| 5 | - | 0 | not used |

Table 19. TSR_mode - timestamp mode control register (address 23h) bit description...continued

| Bit | Symbol | Value | Description |
|--------------------------|------------|--------------------|---|
| Timestamp2 (TSR2) | | | |
| 4 to 2 | TSR2M[2:0] | | timestamp register 2 mode |
| | | 000 ^[1] | no timestamp |
| | | 001 | FB, record F irst time switch to B attery event |
| | | 010 | LB, record L ast time switch to B attery event |
| | | 011 | LV, record L ast time switch to V _{DD} event |
| | | 100 | FE, record F irst TS pin E vent |
| | | 101 | LE, record L ast TS pin E vent |
| | | 110 to 111 | no timestamp |
| Timestamp1 (TSR1) | | | |
| 1 to 0 | TSR1M[1:0] | | timestamp register 1 mode |
| | | 00 ^[1] | no timestamp |
| | | 01 | FE, record F irst TS pin E vent |
| | | 10 | LE, record L ast TS pin E vent |
| | | 11 | no timestamp |

[1] Default value.

First event means that the time is only stored on the first event and not recorded for subsequent events. When the first event occurs, the associated timestamp flag is set. When the flag is cleared, then a new 'first' event is recorded. See [Figure 18](#) and [Figure 19](#).

Last event means that the time is stored on every event. When an event occurs, the associated timestamp flag is set. It is not necessary to clear the flag before a new event is recorded.

Interrupts can be generated in INTA pin and/or INTB pin. Interrupts are generated every time a timestamp register is updated. Interrupt generation is not conditional on the state of the timestamp flags. See [Section 7.7.1](#).

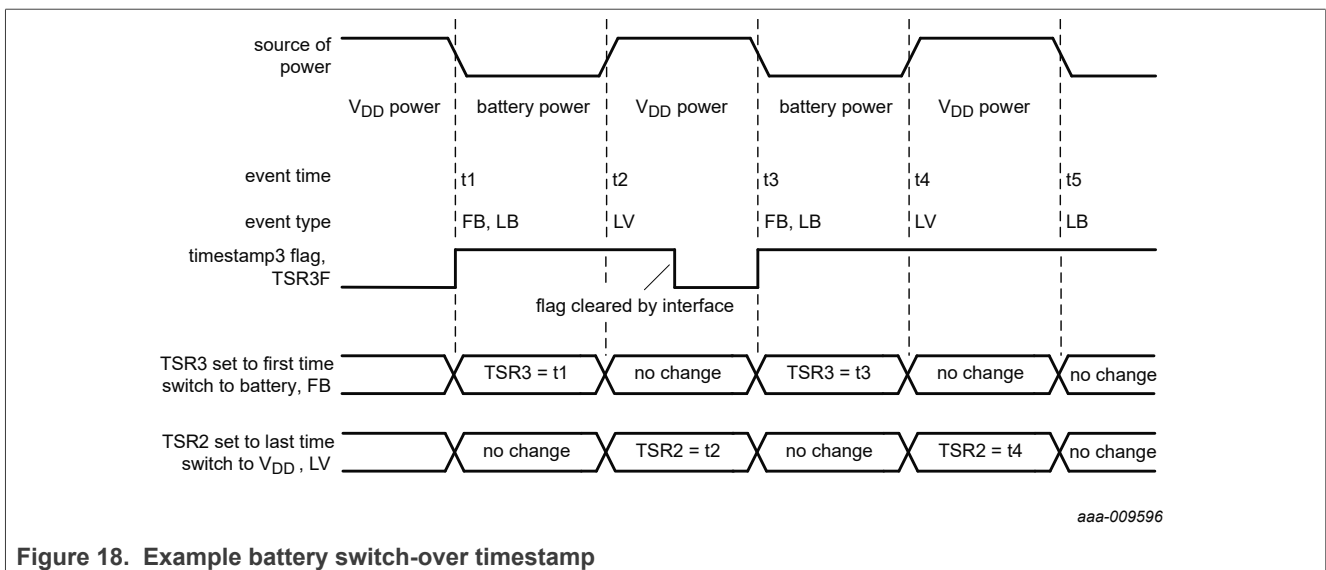
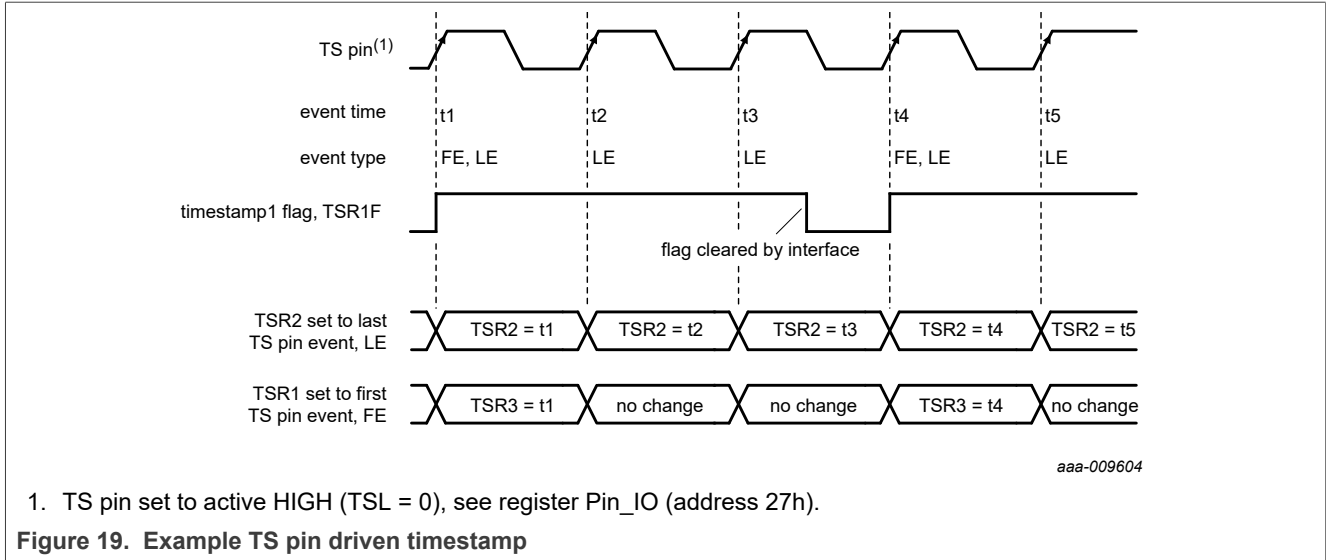


Figure 18. Example battery switch-over timestamp



The recorded time is stored in the associated timestamp register. The time format depends on the RTC mode. The timestamp registers follows the time format of the time registers.

Table 20. Timestamp registers in RTC mode (RTCM = 0)
 Bit positions labeled as - are not implemented and return 0 when read.

| Address | Register name | Upper-digit (ten's place) | | | | Digit (unit place) | | | |
|------------------------------|---------------|---------------------------|--------|--------|--------|--------------------|-------|-------|-------|
| | | Bit 7 | Bit 6 | Bit 5 | Bit 4 | Bit 3 | Bit 2 | Bit 1 | Bit 0 |
| RTC timestamp1 (TSR1) | | | | | | | | | |
| 11h | TSR1_seconds | - | 0 to 5 | | | 0 to 9 | | | |
| 12h | TSR1_minutes | - | 0 to 5 | | | 0 to 9 | | | |
| 13h | TSR1_hours | - | - | AMPM | 0 to 1 | 0 to 9 | | | |
| | | | | 0 to 2 | | 0 to 9 | | | |
| 14h | TSR1_days | - | - | 0 to 3 | | 0 to 9 | | | |
| 15h | TSR1_months | - | - | - | 0 to 1 | 0 to 9 | | | |
| 16h | TSR1_years | 0 to 9 | | | | 0 to 9 | | | |
| RTC timestamp2 (TSR2) | | | | | | | | | |
| 17h | TSR2_seconds | - | 0 to 5 | | | 0 to 9 | | | |
| 18h | TSR2_minutes | - | 0 to 5 | | | 0 to 9 | | | |
| 19h | TSR2_hours | - | - | AMPM | 0 to 1 | 0 to 9 | | | |
| | | | | 0 to 2 | | 0 to 9 | | | |
| 1Ah | TSR2_days | - | - | 0 to 3 | | 0 to 9 | | | |
| 1Bh | TSR2_months | - | - | - | 0 to 1 | 0 to 9 | | | |
| 1Ch | TSR2_years | 0 to 9 | | | | 0 to 9 | | | |
| RTC timestamp3 (TSR3) | | | | | | | | | |
| 1Dh | TSR3_seconds | - | 0 to 5 | | | 0 to 9 | | | |
| 1Eh | TSR3_minutes | - | 0 to 5 | | | 0 to 9 | | | |

Table 20. Timestamp registers in RTC mode (RTCM = 0)...*continued*

Bit positions labeled as - are not implemented and return 0 when read.

| Address | Register name | Upper-digit (ten's place) | | | | Digit (unit place) | | | |
|---------|---------------|---------------------------|-------|--------|--------|--------------------|-------|-------|-------|
| | | Bit 7 | Bit 6 | Bit 5 | Bit 4 | Bit 3 | Bit 2 | Bit 1 | Bit 0 |
| 1Fh | TSR3_hours | - | - | AMPM | 0 to 1 | 0 to 9 | | | |
| | | | | 0 to 2 | | | | | |
| 20h | TSR3_days | - | - | 0 to 3 | | 0 to 9 | | | |
| 21h | TSR3_months | - | - | - | 0 to 1 | 0 to 9 | | | |
| 22h | TSR3_years | 0 to 9 | | | | 0 to 9 | | | |

Table 21. Timestamp registers in stop-watch mode (RTCM = 1)

Bit positions labeled as - are not implemented and return 0 when read.

| Address | Register name | Upper-digit (ten's place) | | | | Digit (unit place) | | | |
|-------------------------------------|------------------|---------------------------|--------|-------|-------|--------------------|-------|-------|-------|
| | | Bit 7 | Bit 6 | Bit 5 | Bit 4 | Bit 3 | Bit 2 | Bit 1 | Bit 0 |
| Stop-watch timestamp1 (TSR1) | | | | | | | | | |
| 11h | TSR1_seconds | - | 0 to 5 | | | 0 to 9 | | | |
| 12h | TSR1_minutes | - | 0 to 5 | | | 0 to 9 | | | |
| 13h | TSR1_hr_xx_xx_00 | 0 to 9 | | | | 0 to 9 | | | |
| 14h | TSR1_hr_xx_00_xx | 0 to 9 | | | | 0 to 9 | | | |
| 15h | TSR1_hr_00_xx_xx | 0 to 9 | | | | 0 to 9 | | | |
| 16h | not used | - | - | - | - | - | - | - | - |
| Stop-watch timestamp2 (TSR2) | | | | | | | | | |
| 17h | TSR2_seconds | - | 0 to 5 | | | 0 to 9 | | | |
| 18h | TSR2_minutes | - | 0 to 5 | | | 0 to 9 | | | |
| 19h | TSR2_hr_xx_xx_00 | 0 to 9 | | | | 0 to 9 | | | |
| 1Ah | TSR2_hr_xx_00_xx | 0 to 9 | | | | 0 to 9 | | | |
| 1Bh | TSR2_hr_00_xx_xx | 0 to 9 | | | | 0 to 9 | | | |
| 1Ch | not used | - | - | - | - | - | - | - | - |
| Stop-watch timestamp3 (TSR3) | | | | | | | | | |
| 1Dh | TSR3_seconds | - | 0 to 5 | | | 0 to 9 | | | |
| 1Eh | TSR3_minutes | - | 0 to 5 | | | 0 to 9 | | | |
| 1Fh | TSR3_hr_xx_xx_00 | 0 to 9 | | | | 0 to 9 | | | |
| 20h | TSR3_hr_xx_00_xx | 0 to 9 | | | | 0 to 9 | | | |
| 21h | TSR3_hr_00_xx_xx | 0 to 9 | | | | 0 to 9 | | | |
| 22h | not used | - | - | - | - | - | - | - | - |

7.7.1 Timestamps interrupts

The generation of interrupts from the timestamp functions is controlled via the timestamp interrupt enable bits; TSRIEA and TSRIEB. These bits are in registers INTA_enable (address 29h) and INTB_enable (address 2Ah).

The loading of new information into one of the timestamp registers can be used to generate an interrupt at pins INTA and INTB. The interrupt may be generated as a pulsed signal every time a timestamp register updates or as a permanently active signal which follows the condition of timestamp flags, TSR1F to TSR3F. The timestamp flags remain set until cleared by command.

When enabled, interrupts are triggered every time a timestamp register updates and even if the associated flag is not cleared, an interrupt pulse can be generated.

See [Section 7.9](#) for interrupt control.

7.8 Offset register

The PCF85263A incorporates an offset register (address 24h) which can be used to implement several functions, such as:

- Accuracy tuning
- Aging adjustment
- Temperature compensation

Table 22. Offset - offset register (address 24h) bit description

| Bit | Symbol | Value | Description |
|--------|-------------|------------------------------|--------------|
| 7 to 0 | OFFSET[7:0] | see Table 24 | offset value |

There are two modes which define the correction period, normal mode and fast mode. The **normal mode** is suitable for offset trimming. The **fast mode** is suitable for dynamic offset correction e.g. implementing a temperature correction. The fast mode consumes more current. Offset mode is defined by bit OFFM in the Oscillator register ([Section 7.10](#)).

Table 23. OFFM bit - oscillator control register (address 25h)

See [Section 7.10](#)

| Bit | Symbol | Value | Description |
|-----|--------|------------------|---|
| 6 | OFFM | | offset mode bit |
| | | 0 ^[1] | normal mode: correction is made every 4 hours; 2.170 ppm/step |
| | | 1 | fast mode: correction is made once every 8 minutes; 2.0345 ppm/step |

[1] Default value.

For OFFM = 0, each LSB introduces an offset of 2.170 ppm. For OFFM = 1, each LSB introduces an offset of 2.0345 ppm. The offset value is coded in two's complement giving a range of +127 LSB to -128 LSB, see [Table 24](#).

Table 24. Offset values

| OFFSET[7:0] | Offset value in decimal | Offset value in ppm | |
|-------------|-------------------------|-------------------------|-----------------------|
| | | Normal mode OFFM = 0 | Fast mode OFFM = 1 |
| 011 1 1111 | +127 | +275.590 | +258.3815 |

Table 24. Offset values...continued

| OFFSET[7:0] | Offset value in decimal | Offset value in ppm | |
|--------------------------|-------------------------|-------------------------|-----------------------|
| | | Normal mode OFFM = 0 | Fast mode OFFM = 1 |
| 011 1 1110 | +126 | +273.420 | +256.3470 |
| : | : | : | : |
| 0000 0010 | +2 | +4.340 | +4.0690 |
| 0000 0001 | +1 | +2.170 | +2.0345 |
| 0000 0000 ^[1] | 0 | 0 ^[1] | 0 ^[1] |
| 1111 1111 | -1 | -2.170 | -2.0345 |
| 1111 1110 | -2 | -4.340 | -4.0690 |
| : | : | : | : |
| 1000 0001 | -127 | -275.590 | -258.3815 |
| 1000 0000 | -128 | -277.760 | -260.416 |

[1] Default value.

The correction is made by adding or subtracting clock correction pulses, thereby changing the period of a single second but not by changing the oscillator frequency.

It is possible to monitor when correction pulses are applied. See [Section 7.8.4](#).

7.8.1 Correction when OFFM = 0

The correction is triggered once every four hours and then correction pulses are applied once per minute until the programmed correction values have been implemented.

Table 25. Correction pulses for OFFM = 0

| Correction value | Every n th hour | Actual minute |
|------------------|----------------------------|----------------|
| +1 or -1 | 4 | 00 |
| +2 or -2 | 4 | 00 and 01 |
| +3 or -3 | 4 | 00, 01, and 02 |
| : | : | : |
| +59 or -59 | 4 | 00 to 58 |
| +60 or -60 | 4 | 00 to 59 |
| +61 or -61 | 4 | 00 to 59 |
| | 4 + 1 | 00 |
| +62 or -62 | 4 | 00 to 59 |
| | 4 + 1 | 00 and 01 |
| : | : | : |
| +123 or -123 | 4 | 00 to 59 |
| | 4 + 1 | 00 to 59 |
| | 4 + 2 | 00, 01, and 02 |

Table 25. Correction pulses for OFFM = 0...continued

| Correction value | Every n th hour | Actual minute |
|------------------|----------------------------|---------------|
| -128 | 4 | 00 to 59 |
| | 4 + 1 | 00 to 59 |
| | 4 + 2 | 00 to 07 |

7.8.2 Correction when OFFM = 1

The correction is triggered once every eight minutes and then correction pulses are applied once per second until the programmed correction values have been implemented.

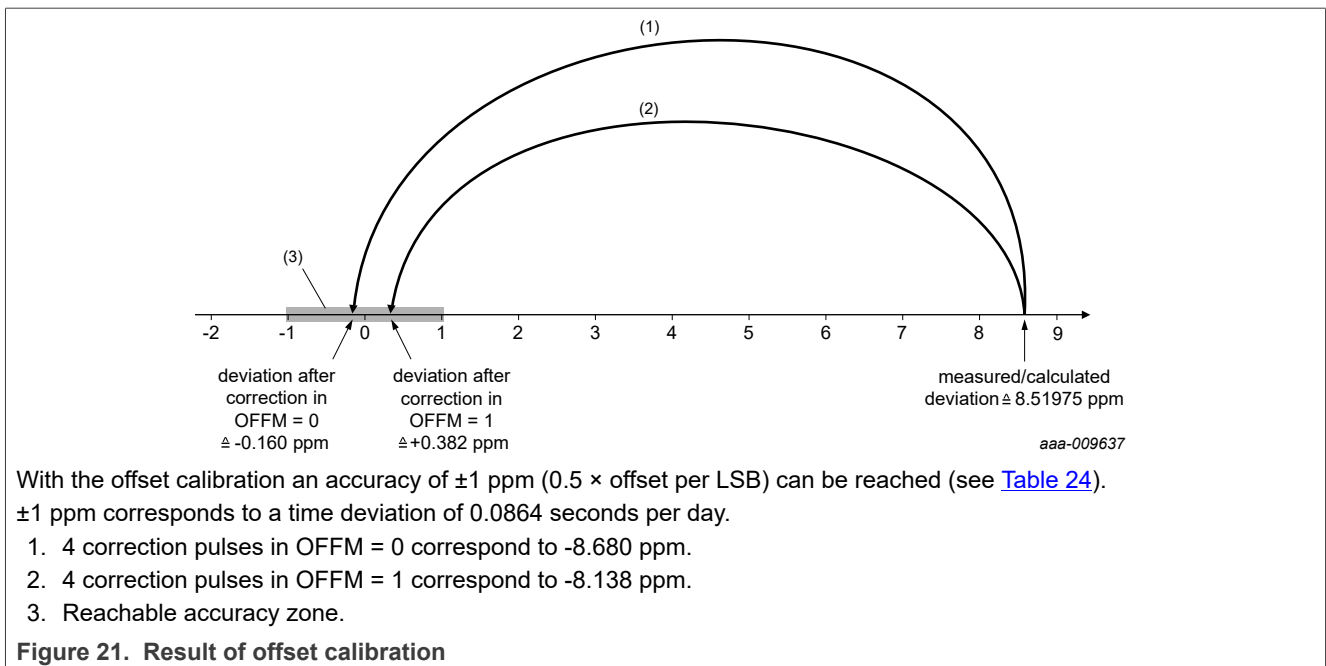
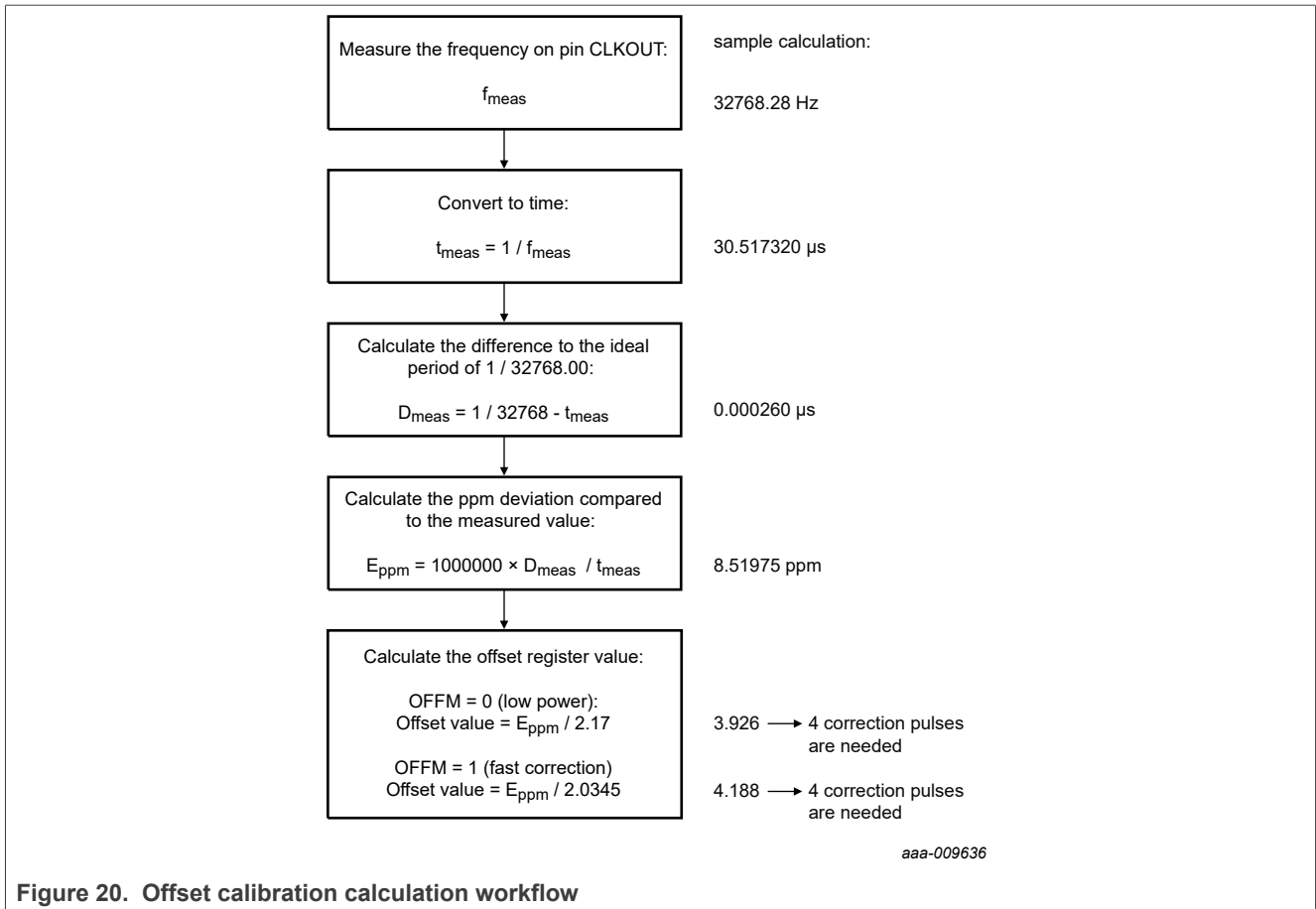
Clock correction is made more frequently in OFFM = 1; however, this can result in higher power consumption.

Table 26. Correction pulses for OFFM = 1

| Correction value | Every n th minute | Actual second |
|------------------|------------------------------|----------------|
| +1 or -1 | 8 | 00 |
| +2 or -2 | 8 | 00 and 01 |
| +3 or -3 | 8 | 00, 01, and 02 |
| : | : | : |
| +59 or -59 | 8 | 00 to 58 |
| +60 or -60 | 8 | 00 to 59 |
| +61 or -61 | 8 | 00 to 59 |
| | 8 + 1 | 00 |
| +62 or -62 | 8 | 00 to 59 |
| | 8 + 1 | 00 and 01 |
| : | : | : |
| +123 or -123 | 8 | 00 to 59 |
| | 8 + 1 | 00 to 59 |
| | 8 + 2 | 00, 01, and 02 |
| -128 | 8 | 00 to 59 |
| | 8 + 1 | 00 to 59 |
| | 8 + 2 | 00 to 07 |

7.8.3 Offset calibration workflow

The calibration offset has to be calculated based on the time. [Figure 20](#) shows the workflow how the offset register values can be calculated:



7.8.4 Offset interrupts

The generation of interrupts from the offset functions is controlled via the offset interrupt enable bits; OIEA and OIEB. These bits are in registers INTA_enable (address 29h) and INTB_enable (address 2Ah).

Every time a correction pulse is made an interrupt pulse can be generated at pins $\overline{\text{INTA}}$ and $\overline{\text{INTB}}$. As there is no offset calibration flag, it is only possible to generate pulse interrupts.

See [Section 7.9](#) for interrupt control.

7.9 Interrupts

There are two interrupt output pins, $\overline{\text{INTA}}$ and $\overline{\text{INTB}}$. Both pins have the same possible sources and a dedicated register to control what is output. The pins can be used independently from each other.

$\overline{\text{INTA}}$ data is output on the $\overline{\text{INTA}}$ pin. $\overline{\text{INTA}}$ is an interrupt output pin with open-drain drive. $\overline{\text{INTA}}$ pin mode is controlled by INTAPM[1:0] bits in the Pin_IO register ([Section 7.12](#)).

$\overline{\text{INTB}}$ data is output on TS pin with push-pull drive. The TS pin must first be configured as $\overline{\text{INTB}}$ output by setting TSIO[1:0] bits in the Pin_IO register ([Section 7.12](#)).

Interrupts will only be output when the pin mode is correctly defined. Interrupts are output from the IC as active LOW signals.

The registers INTA_enable (address 29h) and INTB_enable (address 2Ah) are used to select which interrupts should be output on which pin.

Table 27. INTA and INTB interrupt control bits

| Bit | 7 | 6 | 5 | 4 | 3 | 2 | 1 | 0 |
|---|------|------|------|-------|-------|--------|-------|-------|
| INTA_enable - $\overline{\text{INTA}}$ pin enable control (address 29h) | | | | | | | | |
| Symbol | ILPA | PIEA | OIEA | A1IEA | A2IEA | TSRIEA | BSIEA | WDIEA |
| INTB_enable - $\overline{\text{INTB}}$ pin enable control (address 2Ah) | | | | | | | | |
| Symbol | ILPB | PIEB | OIEB | A1IEB | A2IEB | TSRIEB | BSIEB | WDIEB |

Table 28. Definition of interrupt control bits

| Bit | Symbol | | Value | Description |
|-----|--------|-------|------------------|--|
| | INTA | INTB | | |
| 7 | ILPA | ILPB | | level or pulse mode |
| | | | 0 ^[1] | interrupt generates a pulse |
| | | | 1 | interrupt follows flags (permanent signal) |
| 6 | PIEA | PIEB | | periodic interrupt enable |
| | | | 0 ^[1] | no periodic interrupt generated |
| | | | 1 | periodic interrupt generated |
| 5 | OIEA | OIEB | | offset correction interrupt enable |
| | | | 0 ^[1] | no correction interrupt generated |
| | | | 1 | interrupt generated from correction |
| 4 | A1IEA | A1IEB | | alarm1 interrupt enable |
| | | | 0 ^[1] | no alarm interrupt generated |

Table 28. Definition of interrupt control bits...continued

| Bit | Symbol | | Value | Description |
|-----|--------|--------|------------------|--|
| | INTA | INTB | | |
| | | | 1 | alarm interrupt generated |
| 3 | A2IEA | A2IEB | | alarm2 interrupt enable |
| | | | 0 ^[1] | no alarm interrupt generated |
| | | | 1 | alarm interrupt generated |
| 2 | TSRIEA | TSRIEB | | timestamp register interrupt enable |
| | | | 0 ^[1] | no timestamp register interrupt generated |
| | | | 1 | timestamp register interrupt generated |
| 1 | BSIEA | BSIEB | | battery switch interrupt enable |
| | | | 0 ^[1] | no battery switch interrupt generated |
| | | | 1 | battery switch interrupt generated |
| 0 | WDIEA | WDIEB | | WatchDog interrupt enable |
| | | | 0 ^[1] | no WatchDog interrupt generated |
| | | | 1 | WatchDog interrupt generated |

[1] Default value.

7.9.1 ILPA/ILPB: interrupt level or pulse mode

Interrupts can be configured to generate a pulse or to send a continuous level (permanent signal) which follows the state of the flag.

In pulse mode, an interrupt pulse is generated every time that the selected source triggers.

Triggered means

- for periodic interrupts, every time a period has elapsed
- for offset correction, every time a correction pulse is initiated
- for alarms, every time the time increments to match the alarm time
- for timestamps, every time a register updates
- for battery switch, every time the IC switches to or from battery
- for WatchDog, every time the counter reaches the end of its count

The interrupt signal goes active coincident with the triggering event. The signal is cleared by an internal 128 Hz clock. The internal clock is asynchronous to the triggering event and so the pulse duration has a minimum period of one 128 Hz cycle and a maximum of two 128 Hz cycles. Interrupt pulses may be shortened by clearing the flag before the end of the pulse period.

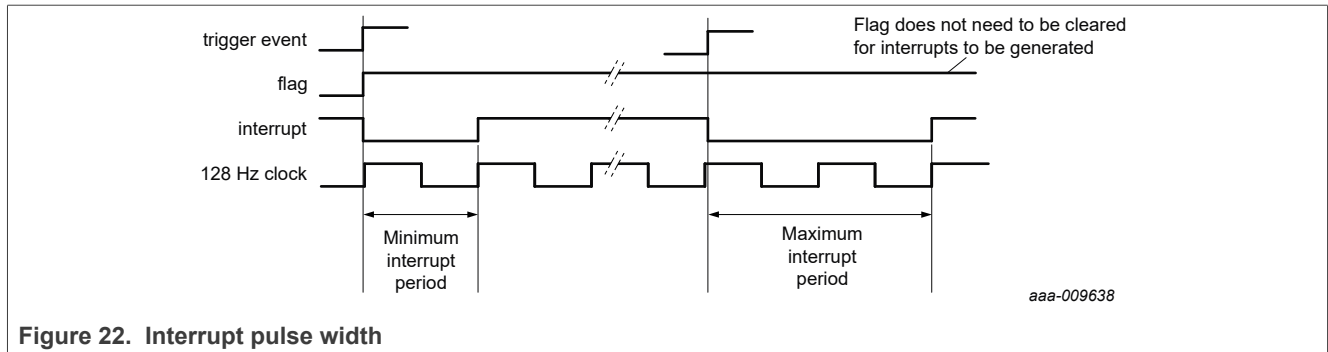


Figure 22. Interrupt pulse width

In level mode, the interrupt signal follows the state of the flag. Only interrupts which are enabled will affect the pin state. All enabled flags must be cleared for the interrupt signal to be cleared.

The EMON is used only for monitoring **all** flags and can be read back in the minutes register. See [Section 7.2.3](#).

7.9.2 Interrupt enable bits

The remainder of the bits in register INTA_enable (address 29h) and register INTB_enable (address 2Ah) are used to select which interrupt data goes where. See [Figure 23](#)

Tiny RTC/calendar with alarm function, battery switch-over, time stamp input, and I²C-bus

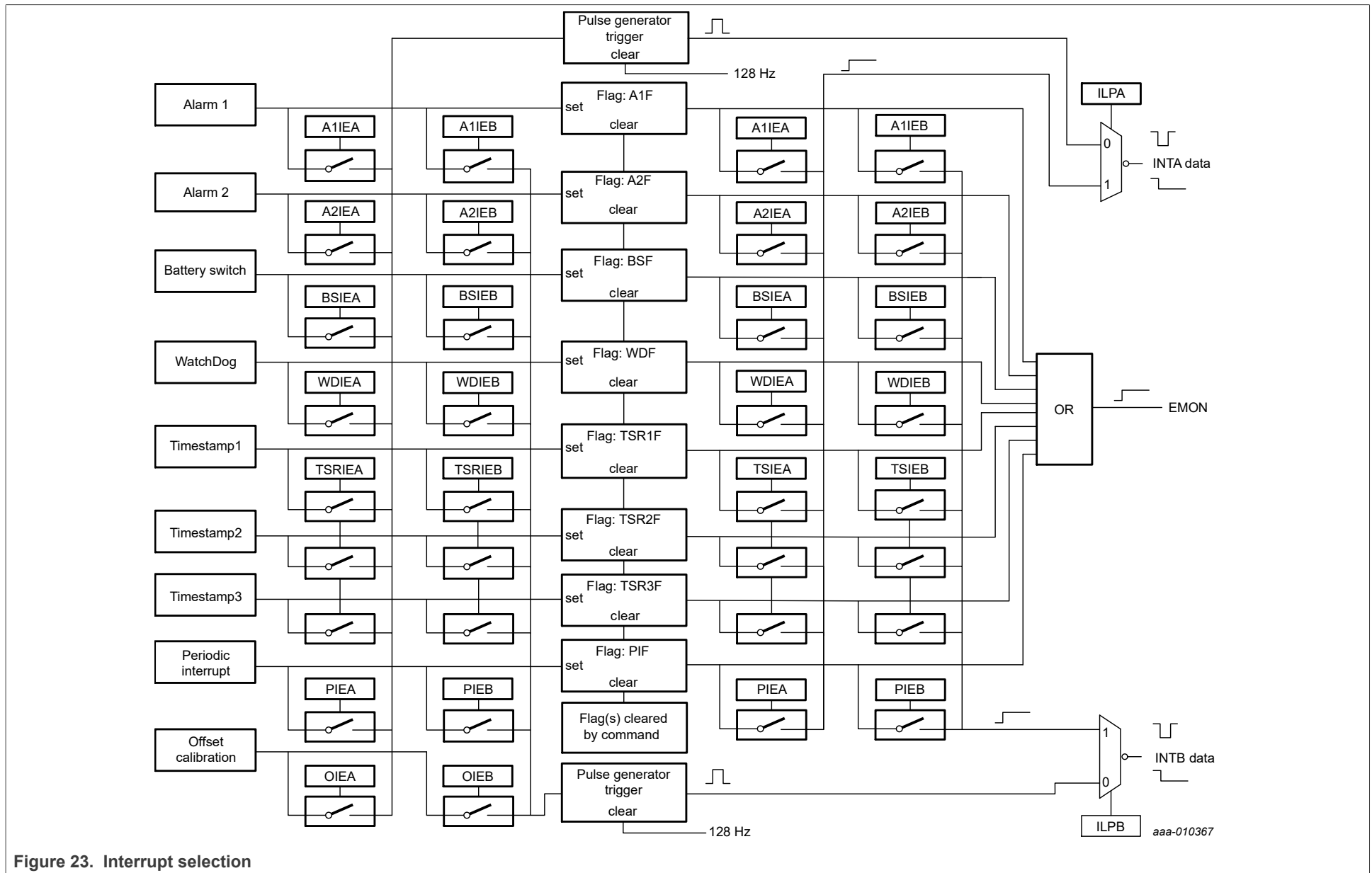


Figure 23. Interrupt selection

7.10 Oscillator register

Table 29. Oscillator - oscillator control register (address 25h) bit description

| Bit | 7 | 6 | 5 | 4 | 3 | 2 | 1 | 0 |
|---------|------------------------------|-----------------------------|--------------------------------|--------------------------------|--------------------------------|--------------------------------|---------|---|
| Symbol | CLKIV | OFFM | 12_24 | LOWJ | OSCD[1:0] | | CL[1:0] | |
| Section | Section 7.16 | Section 7.8 | Section 7.10.3 | Section 7.10.4 | Section 7.10.5 | Section 7.10.6 | | |

7.10.1 CLKIV: invert the clock output

Table 30. CLKIV bit - oscillator control register (address 25h)

| Bit | Symbol | Value | Description |
|-----|--------|------------------|--|
| 7 | CLKIV | | output clock inversion |
| | | 0 ^[1] | non-inverting; LOWJ mode will affect rising edge |
| | | 1 | inverted; LOWJ mode will affect falling edge |

[1] Default value.

The clock selected with the COF[2:0] bits (register Function, address 28h) can be inverted. This is intended for use in conjunction with the low jitter mode, LOWJ. The low jitter mode reduces the jitter for the rising edge of the output clock. If the reduced jitter needs to be on the falling edge, for example when using an open-drain clock output, then the CLKIV bit can be used to implement this.

7.10.2 OFFM: offset calibration mode

See [Section 7.8](#) for a full description of offset calibration.

7.10.3 12_24: 12 hour or 24 hour clock

Table 31. 12_24 bit - oscillator control register (address 25h)

| Bit | Symbol | Value | Description |
|-----|--------|------------------|--------------------------------|
| 5 | 12_24 | | 12 hour or 24 hour mode |
| | | 0 ^[1] | 24 hour mode is selected |
| | | 1 | 12 hour mode is selected |

[1] Default value.

In RTC mode, time counting can be configured for 24 hour clock or 12 hour clock with the AMPM flag. This bit is ignored in stop-watch mode.

7.10.4 LOWJ: low jitter mode

Table 32. LOWJ bit - oscillator control register (address 25h)

| Bit | Symbol | Value | Description |
|-----|--------|------------------|---|
| 4 | LOWJ | | low jitter CLK output bit |
| | | 0 ^[1] | normal |
| | | 1 | reduced CLK output jitter; increase I _{DD} |

[1] Default value.

Oscillator circuits suffer from jitter. In particular, ultra low-power oscillators like the one used in the PCF85263A are optimized for power and not jitter. By setting the LOWJ bit, the jitter performance can be improved at the cost of power consumption.

7.10.5 OSCD[1:0]: quartz oscillator drive control

Table 33. OSCD[1:0] bits - oscillator control register (address 25h)

| Bit | Symbol | Value | Description |
|--------|-----------|-------------------|---|
| 3 to 2 | OSCD[1:0] | | oscillator drive bits |
| | | 00 ^[1] | normal drive; R _{S(max)} : 100 kΩ |
| | | 01 | low drive; R _{S(max)} : 60 kΩ; reduced I _{DD} |
| | | 10, 11 | high drive; R _{S(max)} : 500 kΩ; increased I _{DD} |

[1] Default value.

The oscillator is designed to be used with quartz with a series resistance up to 100 kΩ. This covers the typical range of 32.768 kHz quartz crystals. Series resistance is also referred to as: ESR, motional resistance, or R_S.

A low drive mode is available for low series resistance quartz. This reduces the current consumption.

For very high series resistance quartz, there is a high drive mode. Current consumption increases substantially in this mode.

7.10.6 CL[1:0]: quartz oscillator load capacitance

Table 34. CL[1:0] bits - oscillator control register (address 25h)

| Bit | Symbol | Value | Description |
|--------|---------|-------------------|--|
| 1 to 0 | CL[1:0] | | internal oscillator capacitor selection for quartz crystals with the corresponding load capacitance of C _L : |
| | | 00 ^[1] | 7.0 pF |
| | | 01 | 6.0 pF |
| | | 10 | 12.5 pF |
| | | 11 | 12.5 pF |

[1] Default value.

C_L refers to the load capacitance of the oscillator circuit and allows for a certain amount of package and PCB parasitic capacitance. When the oscillator circuit matches the C_L parameter of the quartz, then the frequency offset is zero.

The PCF85263A is designed to operate with quartz with C_L values of 6.0 pF, 7.0 pF and 12.5 pF.

12.5 pF are generally the cheapest and most widely available, but also require the most power to drive. The circuit also operates with 9.0 pF quartz, however the offset calibration would be needed to compensate. If a 9.0 pF quartz is used, then it is recommended to set C_L to 7.0 pF.

7.11 Battery switch register

This register configures the battery switch-over mode.

Associated with the battery switch-over is the battery switch flag (BSF) in the Flags register (Section 7.14). Whenever the IC switches to battery operation, the flag is set. The flag can only be read when operating from V_{DD} power, however an interrupt pulse or static LOW signal can be generated whenever switching to battery. An interrupt pulse can also be generated when switching back to V_{DD} power. Examples are given in Figure 25 and Figure 26.

When switched to battery, the V_{DD} power domain is disabled. This means that I²C pins are ignored, CLK output is disabled and Hi-Z, TS pin output mode is disabled and Hi-Z, TS digital input is ignored and may be left floating. TS pin mechanical switch detector is active. INTA output is still active for interrupt output and battery switch indication, but disabled for clock output.

Table 35. IO pin behavior in battery mode

| IO pin (mode) | V _{DD} operation | V _{BAT} operation |
|------------------------------|---------------------------|--------------------------------|
| SCL | active input | disabled; may be left floating |
| SDA | active input/output | disabled; may be left floating |
| CLK | active output | disabled; Hi-Z |
| TS (output mode) | active output | disabled; Hi-Z |
| TS (digital input) | active input | disabled; may be left floating |
| TS (mechanical switch input) | active input | active input |
| INTA | active output | active interrupt output |

Table 36. Battery_switch - battery switch control (address 26h) bit description

| Bit | 7 | 6 | 5 | 4 | 3 | 2 | 1 | 0 |
|---------|---|---|---|--------------------------------|--------------------------------|--------------------------------|--------------------------------|------|
| Symbol | - | - | - | BSOFF | BSRR | BSM[1:0] | | BSTH |
| Section | - | - | - | Section 7.11.1 | Section 7.11.2 | Section 7.11.3 | Section 7.11.4 | |

7.11.1 BSOFF: battery switch on/off control

Table 37. BSOFF bit - battery switch control (address 26h) bit description

| Bit | Symbol | Value | Description |
|-----|--------|------------------|--------------------------------|
| 4 | BSOFF | | battery switch on/off |
| | | 0 ^[1] | enable battery switch feature |
| | | 1 | disable battery switch feature |

[1] Default value.

The battery switch circuit may be disabled when not used. This disables all the circuit and save power consumption. When disabled connect V_{BAT} and V_{DD} together.

7.11.2 BSRR: battery switch internal refresh rate

Table 38. BSRR bit - battery switch control (address 26h) bit description

| Bit | Symbol | Value | Description |
|-----|--------|------------------|------------------------------------|
| 3 | BSRR | | battery switch refresh rate |
| | | 0 ^[1] | low |

Table 38. BSRR bit - battery switch control (address 26h) bit description...continued

| Bit | Symbol | Value | Description |
|-----|--------|-------|-------------|
| | | 1 | high |

[1] Default value.

Non-user bit. Recommended to leave set at default.

7.11.3 BSM[1:0]: battery switch mode

Table 39. BSM[1:0] bits - battery switch control (address 26h) bit description

| Bit | Symbol | Value | Description |
|--------|----------|-------------------|--|
| 2 to 1 | BSM[1:0] | | battery switch mode bits |
| | | 00 ^[1] | switching at the V _{th} level |
| | | 01 | switching at the V _{BAT} level |
| | | 10 | switching at the higher level of V _{th} or V _{BAT} |
| | | 11 | switching at the lower level of V _{th} or V _{BAT} |

[1] Default value.

Switching is automatic and controlled by the voltages on the VBAT and VDD pins. There are three modes:

- Compare V_{DD} with an internal reference (V_{th})
- Compare V_{DD} with V_{BAT}
- Compare V_{DD} with an internal reference (V_{th}) and V_{BAT}

The last mode is useful when a rechargeable battery is employed.

Table 40. Battery switch-over modes

| BSM[1:0] | Condition | Internal power |
|----------|---|------------------|
| 00 | V _{DD} > V _{th} | V _{DD} |
| | V _{DD} < V _{th} | V _{BAT} |
| 01 | V _{DD} > V _{BAT} | V _{DD} |
| | V _{DD} < V _{BAT} | V _{BAT} |
| 10 | V _{DD} > the higher of V _{th} or V _{BAT} | V _{DD} |
| | V _{DD} < the higher of V _{th} or V _{BAT} | V _{BAT} |
| 11 | V _{DD} > the lower of V _{th} or V _{BAT} | V _{DD} |
| | V _{DD} < the lower of V _{th} or V _{BAT} | V _{BAT} |

Due to the nature of the power switch circuit there is a switching hysteresis (see [Figure 24](#) and [Table 67](#)).

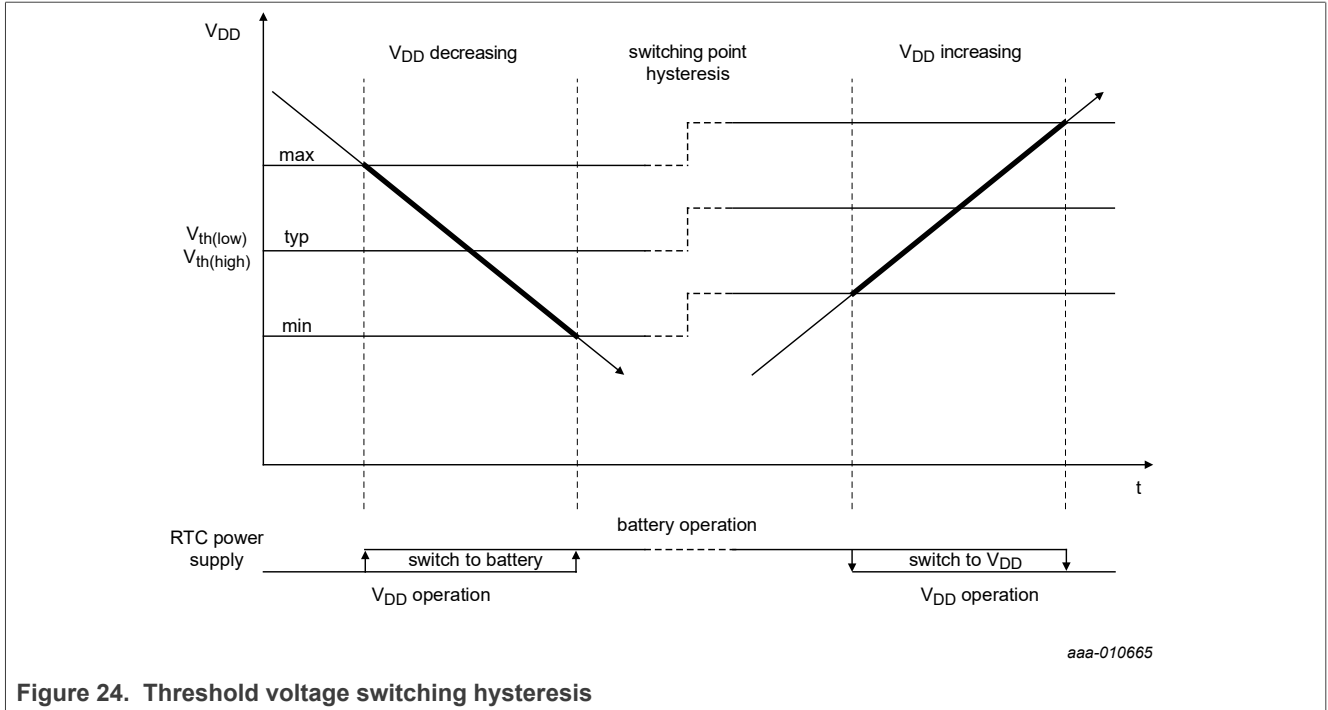


Figure 24. Threshold voltage switching hysteresis

7.11.3.1 Switching at the V_{th} level, BSM[1:0] = 00

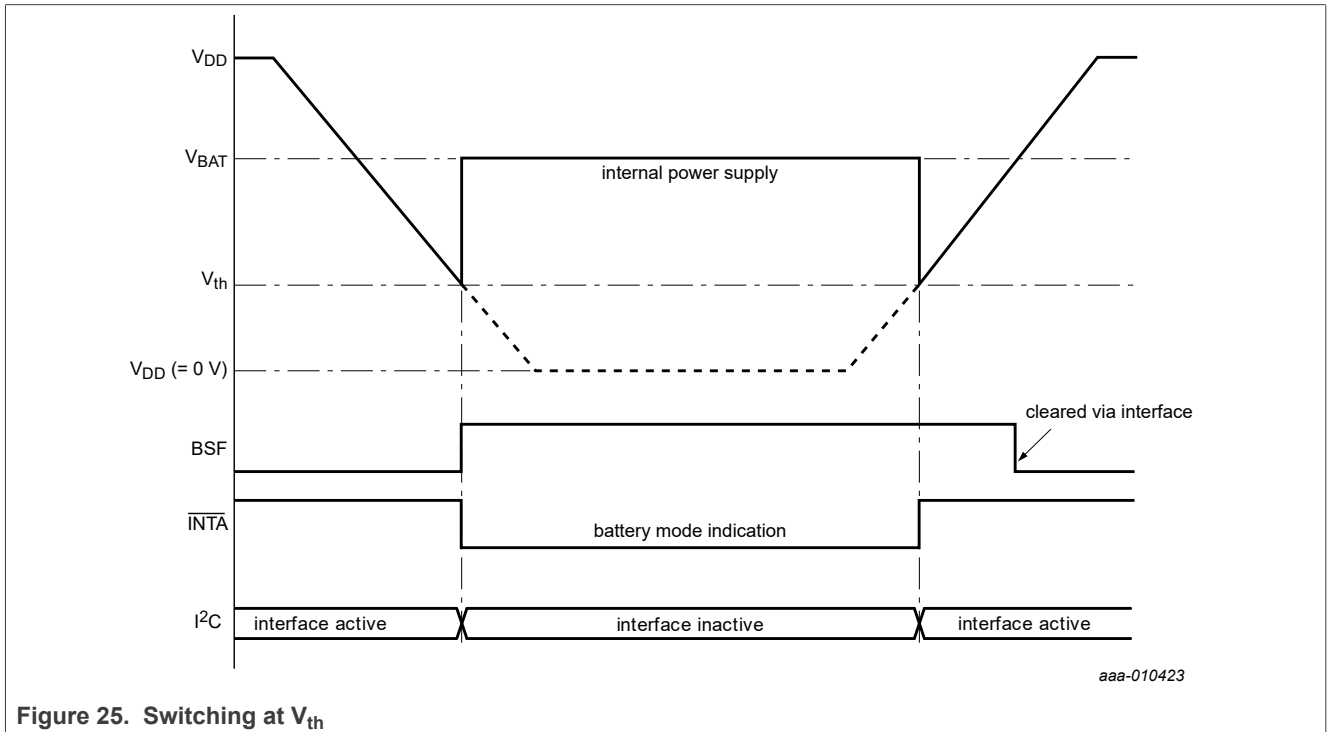
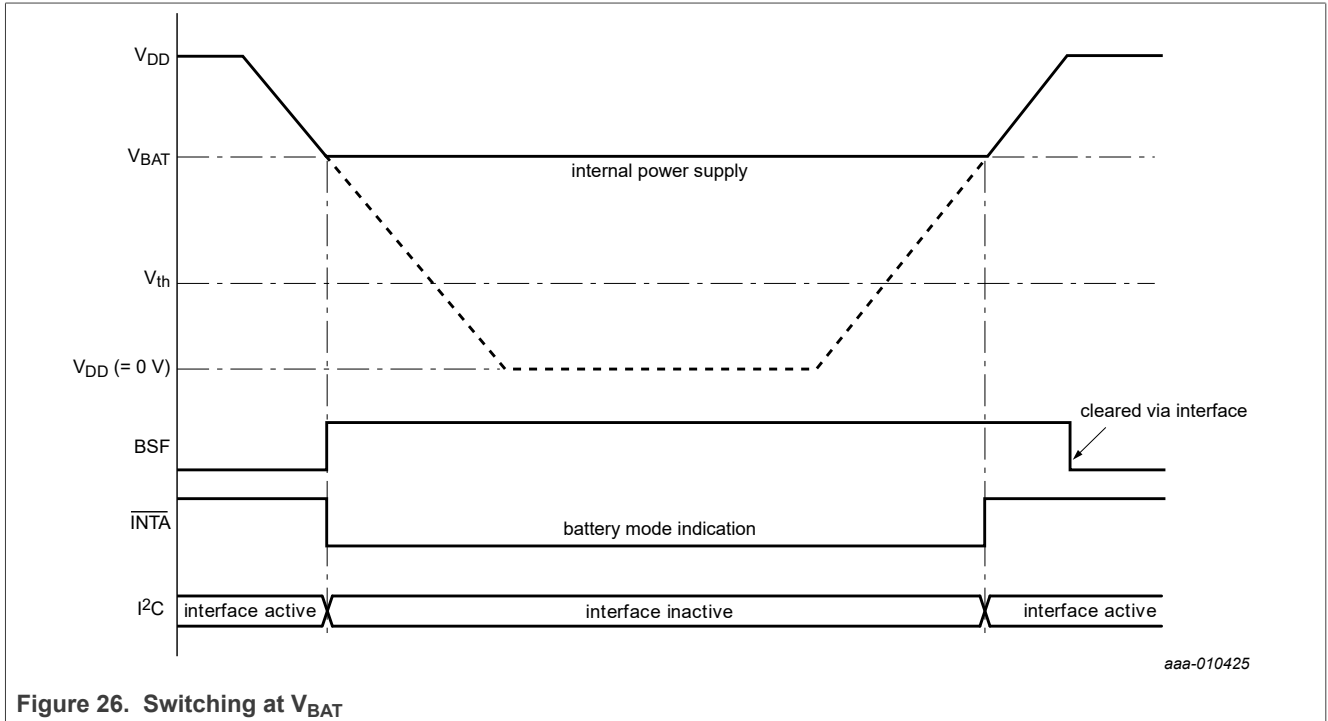


Figure 25. Switching at V_{th}

7.11.3.2 Switching at the V_{BAT} level, BSM[1:0] = 01



7.11.3.3 Switching at the higher of V_{BAT} or V_{th} level, BSM[1:0] = 10

With this mode switching takes place when V_{DD} falls below the higher of V_{th} or V_{BAT}. In [Figure 27](#), an example is given where the threshold is set to 1.5 V and a single cell battery is connected to V_{BAT}. In this example, switching to the battery voltage takes place when V_{DD} falls below V_{th}.

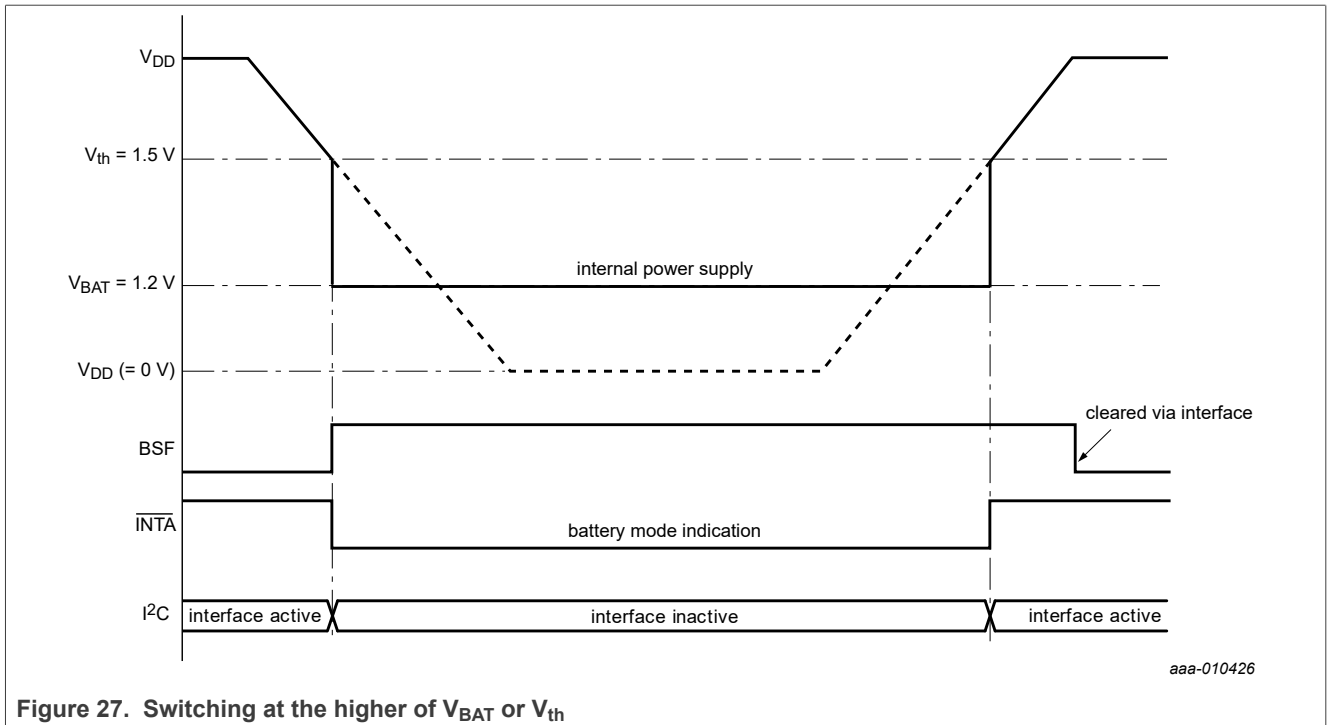


Figure 27. Switching at the higher of V_{BAT} or V_{th}

7.11.3.4 Switching at the lower of V_{BAT} and V_{th} level, $BSM[1:0] = 11$

With this mode switching takes place when V_{DD} falls below the lower of V_{th} or V_{BAT} . In [Figure 28](#), an example is given where the threshold is set to 1.5 V and a single cell battery is connected to V_{BAT} . In this example, switching to the battery voltage takes place when V_{DD} falls below V_{BAT} .

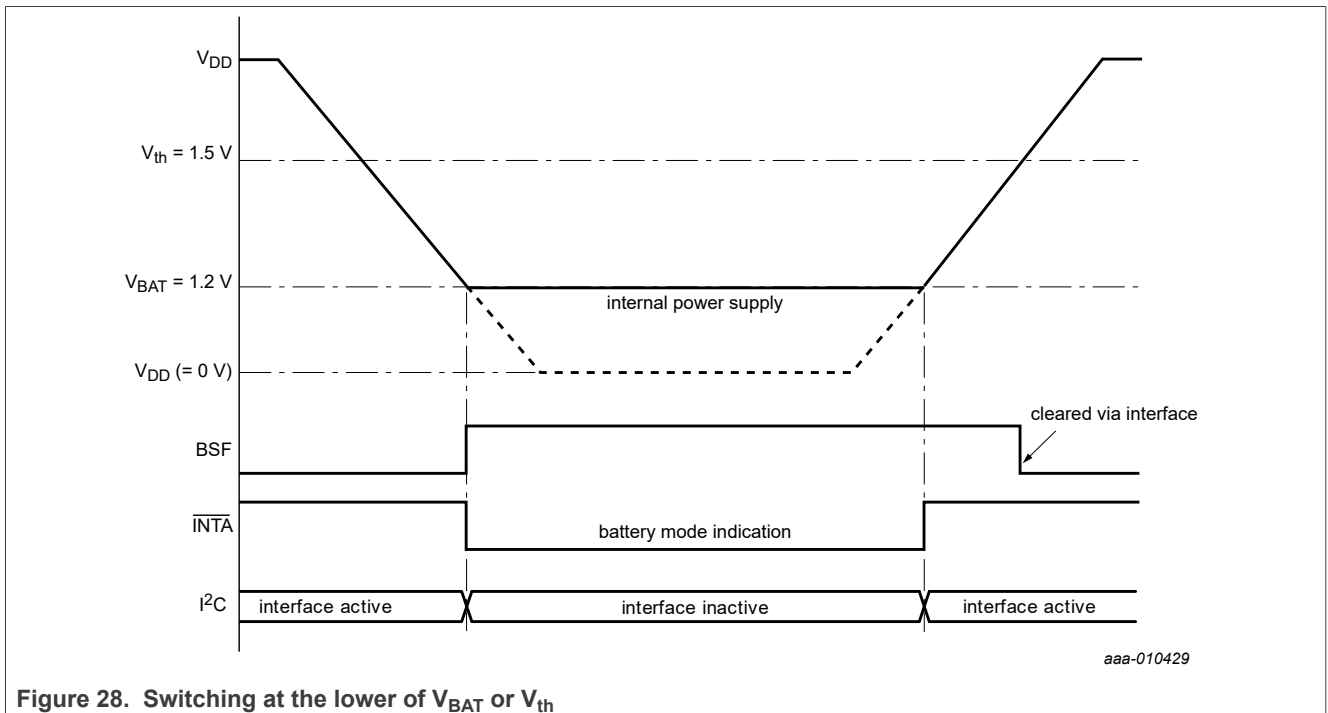


Figure 28. Switching at the lower of V_{BAT} or V_{th}

7.11.4 BSTH: threshold voltage control

Table 41. BSTH - battery switch control (address 26h) bit description

| Bit | Symbol | Value | Description |
|-----|--------|------------------|--|
| 0 | BSTH | | battery switch threshold voltage, V_{th} |
| | | 0 ^[1] | $V_{th} = 1.5\text{ V}$ |
| | | 1 | $V_{th} = 2.8\text{ V}$ |

[1] Default value.

The threshold for battery switch-over is selectable between two voltages, 1.5 V and 2.8 V.

7.11.5 Battery switch interrupts

The generation of interrupts from the battery switch function is controlled via the battery switch interrupt enable bits; BSIEA and BSIEB. These bits are in registers INTA_enable (address 29h) and INTB_enable (address 2Ah).

The assertion of the flag BSF (register Flags, address 2Bh) can be used to generate an interrupt at pins $\overline{\text{INTA}}$ and $\overline{\text{INTB}}$. The interrupt may be generated as a pulsed signal or alternatively as a permanently active signal which follows the condition of bit BSF. BSF remains set until cleared by command.

When enabled, interrupts are triggered every time the battery switch circuit switches to either battery or to V_{DD} and even if the BSF is not cleared, an interrupt pulse can be generated.

In addition, the $\overline{\text{INTA}}$ pin can be configured as a battery mode indicator (INTAPM[1:0] = 00). See [Section 7.12.6](#). This mode differs from a general interrupt signal in that it is only controlled by the current battery switch status.

See [Section 7.9](#) for interrupt control.

Remark: $\overline{\text{INTB}}$ pin is only active when the IC is operating from V_{DD} .

7.12 Pin_IO register

Table 42. Pin_IO- pin input output control register (address 27h) bit description

| Bit | 7 | 6 | 5 | 4 | 3 | 2 | 1 | 0 |
|---------|--------------------------------|--------------------------------|--------------------------------|--------------------------------|--------------------------------|--------------------------------|-------------|---|
| Symbol | CLKPM | TSPULL | TSL | TSIM | TSPM[1:0] | | INTAPM[1:0] | |
| Section | Section 7.12.1 | Section 7.12.2 | Section 7.12.3 | Section 7.12.5 | Section 7.12.4 | Section 7.12.6 | | |

This register is used to define the input and output modes of the IC.

7.12.1 CLKPM: CLK pin mode control

Table 43. CLKPM bit - Pin_IO control register (address 27h)

| Bit | Symbol | Value | Description |
|-----|----------------------|------------------|---------------------|
| 7 | CLKPM ^[1] | | CLK pin mode |
| | | 0 ^[2] | enable CLK pin |
| | | 1 | disable CLK pin |

[1] CLK pin is not available on all package types.

[2] Default value.

Setting the CLKPM bit disables the CLK output and force the pin to drive out a logic 0. Clearing this bit enables the pad to output the selected clock frequency (see bits COF[2:0] in the Function register, see [Table 50](#)).

7.12.2 TSPULL: TS pin pull-up resistor value

Table 44. TSPULL bit - Pin_IO control register (address 27h)

| Bit | Symbol | Value | Description |
|-----|--------|------------------|--------------------------------------|
| 6 | TSPULL | | TS pin pull-up resistor value |
| | | 0 ^[1] | 80 kΩ |
| | | 1 | 40 kΩ |

[1] Default value.

Controls the pull-up resistor value used in the mechanical switch detector. For applications where there is a large capacitance on the TS pin e.g. from a long connecting cable to the mechanical switch, the pull-up resistor value can be halved to improve switch detection.

Using the low-resistance value increases current consumption when the switch is closed i.e. shorting to V_{SS}.

7.12.3 TSL: TS pin level sense

Table 45. TSL bit - Pin_IO control register (address 27h)

| Bit | Symbol | Value | Description |
|-----|--------|------------------|---------------------------|
| 5 | TSL | | TS pin input sense |
| | | 0 ^[1] | active HIGH |
| | | 1 | active LOW |

[1] Default value.

The active state of the TS pin can be defined for use as a timestamp trigger and/or as stop control for the time counting. Active HIGH implies a transition from logic 0 to logic 1 is active. Active LOW implies a transition from logic 1 to logic 0 is active.

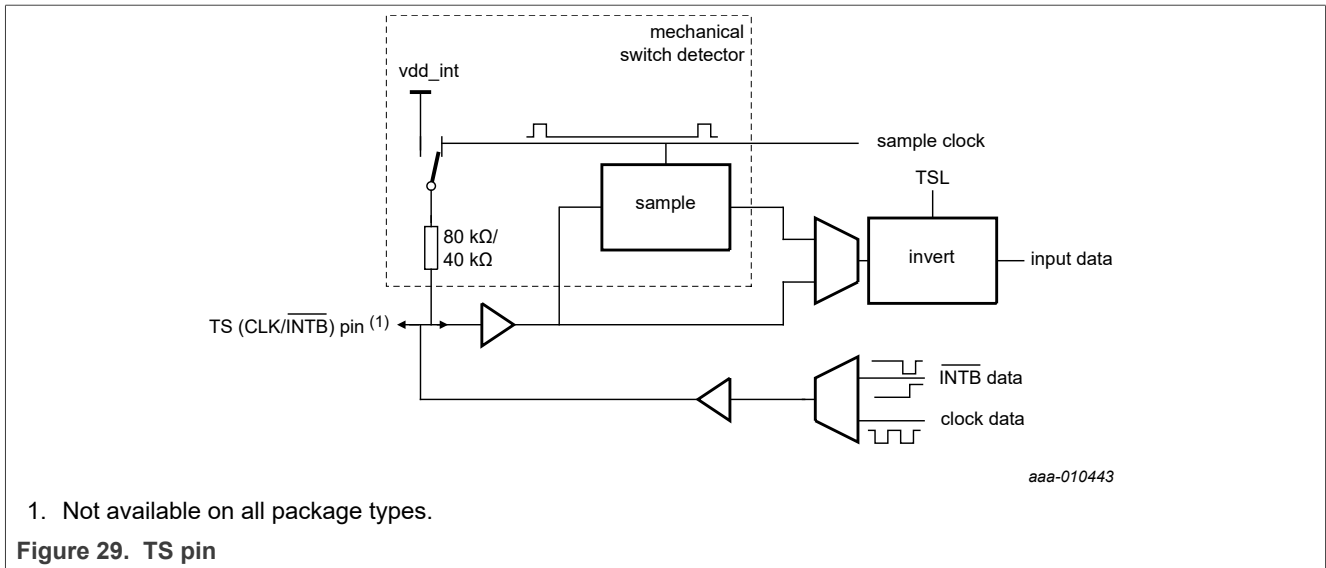
7.12.4 TSPM[1:0]: TS pin I/O control

Table 46. TSPM[1:0] bits - Pin_IO control register (address 27h)

| Bit | Symbol | Value | Description |
|--------|-----------|-------------------|--|
| 3 to 2 | TSPM[1:0] | | TS pin IO mode |
| | | 00 ^[1] | disabled; input can be left floating |
| | | 01 | $\overline{\text{INTB}}$ output; push-pull |
| | | 10 | CLK output; push-pull |
| | | 11 | input mode |

[1] Default value.

These bits control the operation of the TS pin.



TSIM is only considered when the TS pin is in input mode.

7.12.4.1 TS pin output mode; $\overline{\text{INTB}}$

It is possible to output $\overline{\text{INTB}}$ data on the TS pin. The output is push-pull. No output is available when on V_{BAT} . When on V_{BAT} the output is Hi-Z.

7.12.4.2 TS pin output mode; CLK

It is possible to output a clock frequency on the TS pin. Clock frequency is selected with the COF[2:0] bits in the Function register (Section 7.13). The output is push-pull. No output is available when on V_{BAT} . When on V_{BAT} the output is Hi-Z.

7.12.4.3 TS pin disabled

When disabled the pin is Hi-Z and can be left floating.

7.12.5 TSIM: TS pin input type control

Table 47. TSIM bit - Pin_IO control register (address 27h)

| Bit | Symbol | Value | Description |
|-----|--------|------------------|---|
| 4 | TSIM | | TS pin input mode |
| | | 0 ^[1] | CMOS input; reference to V_{DD} ; disabled when on V_{BAT} |
| | | 1 | mechanical switch mode; active pull-up sampled at 16 Hz; operates on V_{DD} and V_{BAT} |

[1] Default value.

In CMOS input mode (TSIM = 0), input is taken directly from the TS pin. The input is conditioned by the setting of TSL. When operating on the battery voltage (V_{BAT}), the input is disabled and is allowed to float.

In mechanical switch detector mode (TSIM = 1), the TS pin is sampled at a rate of 16 Hz for a period of 30.5 μs . At the same time as the sample a pull-up resistor is activated to detect an open pin or a pin shorted to V_{SS} . The

input is referenced to the internal power supply. This mode operates when on V_{DD} or V_{BAT}. The pull-up resistor value can be controlled by TSPULL bit in the Pin_IO register (see [Section 7.12](#)).

7.12.5.1 TS pin input mode

There are two input types which are controlled by the TSIM bit. The TS input can be used to generate a timestamp event by configuring the timestamp mode bits; TSR2M[2:0] and TSR1M[1:0] bits in TSR_mode register (see [Table 19](#)).

Also it is possible to use the TS pin to control counting of time. This is typically for use with the stop-watch mode where an elapsed time counter function can be implemented. Using the STOPM bit in the Function register (see [Table 50](#)) it is possible to control the STOP bit by the TS pin.

7.12.6 INTAPM[1:0]: $\overline{\text{INTA}}$ pin mode control

Table 48. INTAPM[1:0] bits - Pin_IO control register (address 27h)

| Bit | Symbol | Value | Description |
|--------|-------------|-------------------|---|
| 1 to 0 | INTAPM[1:0] | | $\overline{\text{INTA}}$ pin mode |
| | | 00 ^[1] | CLK output mode |
| | | 01 | battery mode indication |
| | | 10 | $\overline{\text{INTA}}$ output |
| | | 11 | Hi-Z |

[1] Default value.

The $\overline{\text{INTA}}$ pin can be used to output three different signals.

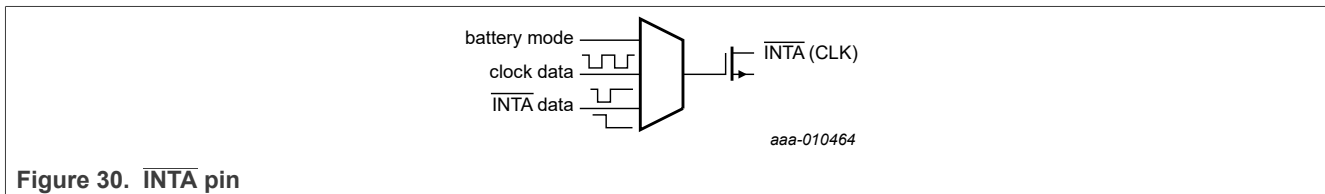


Figure 30. $\overline{\text{INTA}}$ pin

7.12.6.1 INTAPM[1:0]: INTA

The primary function of the $\overline{\text{INTA}}$ pin is to output $\overline{\text{INTA}}$ data. $\overline{\text{INTA}}$ data is controlled by the bits of the INTA_enable register (see [Table 28](#)).

The output is active LOW with an open-drain output. The output is available during V_{DD} and V_{BAT} operation.

7.12.6.2 INTAPM[1:0]: clock data

It is possible to output a clock frequency on the $\overline{\text{INTA}}$ pin. Clock frequency is selected with the COF[2:0] bits in the Function register ([Section 7.13](#)). The output is active LOW with an open-drain output. The output is available only during V_{DD} operation. The output is Hi-Z when operating from V_{BAT}.

Remark: Clock output is the default state. To save power, it is recommended to disable the clock when not being used. If no clock is required, then set COF[2:0] in the Function register ([Section 7.13](#)) to CLK disabled. If clock output is only required on the CLK pin, then set the $\overline{\text{INTA}}$ pin to either $\overline{\text{INTA}}$ data or battery mode.

7.12.6.3 INTAPM[1:0]: battery mode indication

It is possible to output the state of the power switch on the $\overline{\text{INTA}}$ pin. The output has an open-drain output. The output is available during V_{DD} and V_{BAT} operation.

Table 49. $\overline{\text{INTA}}$ battery mode

| Power supply | $\overline{\text{INTA}}$ pin state |
|------------------|------------------------------------|
| V_{DD} | $\overline{\text{INTA}}$ = Hi-Z |
| V_{BAT} | $\overline{\text{INTA}}$ = logic 0 |

7.13 Function register

Table 50. Function - chip function control register (address 28h) bit description

| Bit | 7 | 6 | 5 | 4 | 3 | 2 | 1 | 0 |
|---------|--------------------------------|--------------------------------|---|--------------------------------|--------------------------------|--------------------------------|---|---|
| Symbol | 100TH | PI[1:0] | | RTCM | STOPM | COF[2:0] | | |
| Section | Section 7.13.1 | Section 7.13.2 | | Section 7.13.3 | Section 7.13.4 | Section 7.13.5 | | |

7.13.1 100TH: 100th seconds mode

Table 51. 100TH bit - Function control register (address 28h)

| Bit | Symbol | Value | Description |
|-----|--------|------------------|--------------------------|
| 7 | 100TH | | 100th second mode |
| | | 0 ^[1] | 100th second disabled |
| | | 1 | 100th second enabled |

[1] Default value.

The PCF85263A can be configured to count at a resolution of 1 second or 0.01 seconds. In 100th mode, the 100th_seconds register becomes available and the RTC counts at a resolution of 0.01 seconds.

The 256 Hz clock signal is divided by 3 for fourteen 100 Hz periods and then by 2 for eleven 100 Hz periods. This produces an effective division ratio of 2.56 with a maximum jitter of 3.91 ms. Over twenty-five 100 Hz cycles the jitter is 0 ns.

7.13.2 PI[1:0]: Periodic interrupt

Table 52. PI[1:0] bits - Function control register (address 28h)

| Bit | Symbol | Value | Description |
|--------|---------|-------------------|---------------------------|
| 6 to 5 | PI[1:0] | | periodic interrupt |
| | | 00 ^[1] | no periodic interrupt |
| | | 01 | once per second |
| | | 10 | once per minute |
| | | 11 | once per hour |

[1] Default value.

The periodic interrupt mode can be used to enable pre-defined timers for generating pulses on the interrupt pin. Interrupts once per second, once per minute or once per hour can be generated.

When disabled, the timers are reset. When enabled, the time to the first pulse is between the chosen period and the chosen period minus 1 seconds.

The timers are not affected by STOP.

When the periodic interrupt triggers, the PIF (PI flag) in the Flags register ([Section 7.14](#)) is set.

The flag does not have to be cleared to allow another \overline{INTA} or \overline{INTB} pulse.

The duration of the periodic interrupt is unaffected by offset calibration.

See [Section 7.9](#) for a description of interrupt pulse control and output pins.

7.13.3 RTCM: RTC mode

Table 53. RTCM bit - Function control register (address 28h)

| Bit | Symbol | Value | Description |
|-----|--------|------------------|----------------------|
| 4 | RTCM | | RTC mode |
| | | 0 ^[1] | real-time clock mode |
| | | 1 | stop-watch mode |

[1] Default value.

The RTC mode is used to control how the time is counted. When configured as a classic RTC, then time is counted from 100th seconds to years. In stop-watch mode, time is counted from 100th seconds to 999 999 hours.

Table 54. RTC time counting modes

| RTCM | Mode | Time counting |
|------|------------|---|
| 0 | RTC | 100th seconds ^[1] , seconds, minutes, hours, days, weekdays, months, years |
| 1 | stop-watch | 100th seconds ^[1] , seconds, minutes, hours (0 hours to 999 999 hours) |

[1] Enabled with 100TH bit in the Function register ([Section 7.13](#)).

7.13.4 STOPM: STOP mode control

Table 55. STOPM bit - Function control register (address 28h)

| Bit | Symbol | Value | Description |
|-----|--------|------------------|--|
| 3 | STOPM | | STOP mode |
| | | 0 ^[1] | RTC stop is controlled by STOP bit only |
| | | 1 | RTC stop is controlled by STOP bit or TS pin |

[1] Default value.

The STOP register bit in the Oscillator register ([Section 7.10](#)) is used to stop the counting of time in both RTC mode and stop-watch mode. Stopping of the oscillator can also be controlled from the TS pin. The TS pin must first be configured as an input by the TSPM[1:0] bits, then selected for active HIGH or active LOW by the TSL bits.

Table 56. Oscillator stop control when STOPM = 1

| STOP bit ^[1] | TSL | TS pin ^[2] | Oscillator state | Description |
|-------------------------|-----|-----------------------|------------------|--------------------|
| 0 | 0 | 0 | running | TS pin active HIGH |

Table 56. Oscillator stop control when STOPM = 1...continued

| STOP bit ^[1] | TSL | TS pin ^[2] | Oscillator state | Description |
|-------------------------|-----|-----------------------|------------------|-------------------|
| | 1 | 1 | stopped | TS pin active LOW |
| | | 0 | stopped | |
| | | 1 | running | |
| 1 | - | - | stopped | TS pin ignored |

[1] In the Oscillator register (Section 7.10).

[2] TSPM[1:0] = 11.

7.13.5 COF[2:0]: Clock output frequency

Table 57. COF[2:0] bits - Function control register (address 28h)

| Bit | Symbol | Value | Frequency selection (Hz) | | |
|--------|----------|--------------------|--------------------------|------------|----------|
| | | | CLK pin | TS pin | INTA pin |
| 2 to 0 | COF[2:0] | 000 ^[1] | 32 768 | 32 768 | 32 768 |
| | | 001 | 16 384 | 16 384 | 16 384 |
| | | 010 | 8 192 | 8 192 | 8 192 |
| | | 011 | 4 096 | 4 096 | 4 096 |
| | | 100 | 2 048 | 2 048 | 2 048 |
| | | 101 | 1 024 | 1 024 | 1 024 |
| | | 110 | 1 | 1 | 1 |
| | | 111 | static LOW | static LOW | Hi-Z |

[1] Default value.

A programmable square wave is available at pin CLK. Operation is controlled by the COF[2:0] bits. Frequencies of 32.768 kHz (default) down to 1 Hz can be generated for use as a system clock, microcontroller clock, input to a charge pump, or for calibration of the oscillator.

Pin CLK is a push-pull output and enabled at power-on. Pin CLK can be disabled by setting CLKPM = 1 in the Pin_IO register (Section 7.12). When disabled, the CLK pin is LOW.

The selected clock frequency may also be output on the TS pin and the INTA pin. The CLKIV bit may be used to invert the clock output. CLKIV does not invert for the setting COF[2:0] = 111.

The duty cycle of the selected clock is not controlled. However, due to the nature of the clock generation, all clock frequencies except 32.768 kHz have a duty cycle of 50:50.

Table 58. Clock duty cycles

| COF[2:0] | Frequency (Hz) | Typical duty cycle ^[1] |
|--------------------|----------------|-----------------------------------|
| 000 ^[2] | 32 768 | 60 : 40 to 40 : 60 |
| 001 | 16 384 | 50 : 50 |
| 010 | 8 192 | 50 : 50 |
| 011 | 4 096 | 50 : 50 |
| 100 | 2 048 | 50 : 50 |
| 101 | 1 024 | 50 : 50 |

Table 58. Clock duty cycles...continued

| COF[2:0] | Frequency (Hz) | Typical duty cycle ^[1] |
|----------|------------------|-----------------------------------|
| 110 | 1 ^[3] | 50 : 50 |
| 111 | static | - |

[1] Duty cycle definition: % HIGH-level time : % LOW-level time.

[2] Default values. The duty cycle of the CLKOUT when outputting 32,768 Hz could change from 60:40 to 40:60 depending on the detector since the 32,768 Hz is derived from the oscillator output which is not perfect. It could change from device to device and it depends on the silicon diffusion. There is nothing that can be done from outside the chip to influence the duty cycle.

[3] 1 Hz clock pulses are not affected by offset correction pulses.

7.14 Flags register

Table 59. Flags - Flag status register (address 2Bh) bit description

| Bit | Symbol | Flag name | Value | Description |
|-----|--------|--|------------------|--|
| 7 | PIF | Periodic Interrupt Flag Section 7.13.2 | 0 ^[1] | read: periodic interrupt flag inactive write: periodic interrupt flag is cleared |
| | | | 1 | read: periodic interrupt flag active write: periodic interrupt flag remains unchanged |
| 6 | A2F | Alarm2 Flag Section 7.4 | 0 ^[1] | read: alarm2 flag inactive write: alarm2 flag is cleared |
| | | | 1 | read: alarm2 flag active write: alarm2 flag remains unchanged |
| 5 | A1F | Alarm1 Flag Section 7.4 | 0 ^[1] | read: alarm1 flag inactive write: alarm1 flag is cleared |
| | | | 1 | read: alarm1 flag active write: alarm1 flag remains unchanged |
| 4 | WDF | WatchDog Flag Section 7.5 | 0 ^[1] | read: WatchDog flag inactive write: WatchDog flag is cleared |
| | | | 1 | read: WatchDog flag active write: WatchDog flag remains unchanged |
| 3 | BSF | Battery Switch Flag Section 7.11 | 0 ^[1] | read: battery switch flag inactive write: battery switch flag is cleared |
| | | | 1 | read: battery switch flag active write: battery switch flag remains unchanged |
| 2 | TSR3F | Timestamp Register 3 event Flag Section 7.7 | 0 ^[1] | read: timestamp register 3 flag inactive write: timestamp register 3 flag is cleared |
| | | | 1 | read: timestamp register 3 flag active write: timestamp register 3 flag remains unchanged |
| 1 | TSR2F | Timestamp Register 2 event Flag Section 7.7 | 0 ^[1] | read: timestamp register 2 flag inactive write: timestamp register 2 flag is cleared |
| | | | 1 | read: timestamp register 2 flag active |

Table 59. Flags - Flag status register (address 2Bh) bit description...continued

| Bit | Symbol | Flag name | Value | Description |
|-----|--------|--|------------------|--|
| | | | | write: timestamp register 2 flag remains unchanged |
| 0 | TSR1F | Timestamp Register 1 event Flag Section 7.7 | 0 ^[1] | read: timestamp register 1 flag inactive |
| | | | | write: timestamp register 1 flag is cleared |
| | | | 1 | read: timestamp register 1 flag active |
| | | | | write: timestamp register 1 flag remains unchanged |

[1] Default value.

The flags are set by their respective function. A full description can be found there. All flags behave the same way. They are set by some function of the IC and remain set until overwritten by command. It is possible to clear flags individually. To prevent one flag being overwritten while clearing another, a logic AND is performed during a write access. All flags are combined to generate an event monitoring signal called EMON. EMON is described in [Section 7.2.3](#) and can be read as the MSB of minutes register.

7.15 Reset register

Table 60. Reset - software reset control (address 2Fh) bit description

| Bit | 7 | 6 | 5 | 4 | 3 | 2 | 1 | 0 |
|---------|--------------------------------|---|---|---|--------------------------------|---|---|--------------------------------|
| Symbol | CPR | 0 | 1 | 0 | SR | 1 | 0 | CTS |
| Section | Section 7.15.2 | | | | Section 7.15.1 | | | Section 7.15.3 |

For a

- software reset (SR), 0010 1100 (2Ch) must be sent to register Reset (address 2Fh). A software reset also triggers CPR and CTS
- clear prescaler (CPR), 1010 0100 (A4h) must be sent to register Reset (address 2Fh)
- clear timestamp (CTS), 0010 0101 (25h) must be sent to register Reset (address 2Fh)

It is possible to combine CPR and CTS by sending 1010 0101 (A5h).

Remark: Any other value sent to this register is ignored.

7.15.1 SR - Software reset

A reset is automatically generated at power-on. A reset can also be initiated with the software reset command.

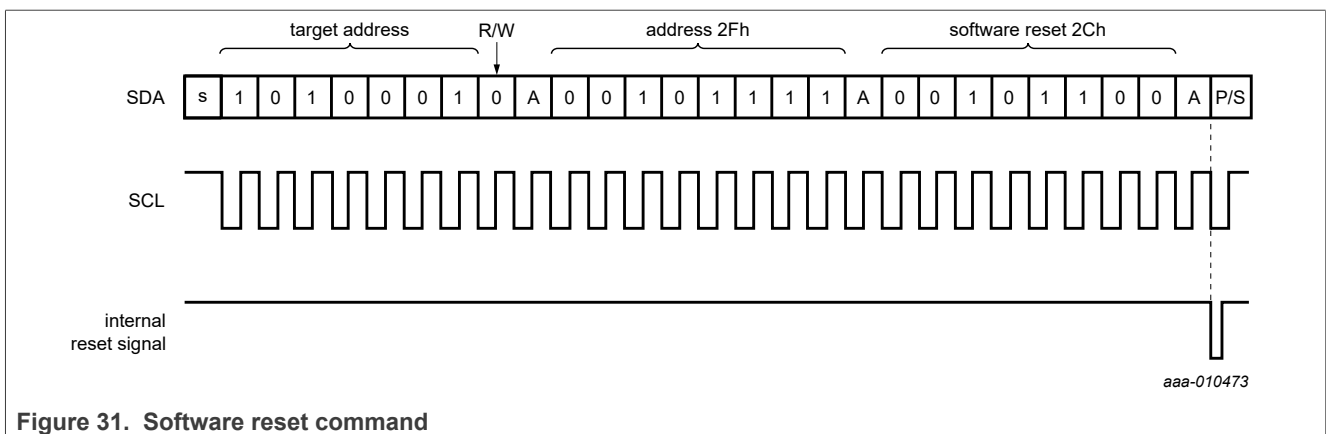


Figure 31. Software reset command

The PCF85263A resets to:

Mode: real-time clock, 100th second off

Time: 00:00:00.00

Date: 2000.01.01

Weekday: Saturday

Battery switch: on, switching on the lower threshold voltage

Oscillator: C_L = 7 pF

Pins: INTA = 32 kHz output, CLK = 32 kHz output, TS = disabled

In the reset state, all registers are set according to [Table 61](#).

Table 61. Registers reset values

Registers labeled as - remain unchanged.

| Address | Register name | Bit | | | | | | | |
|---------|------------------|-----|---|---|---|---|---|---|---|
| | | 7 | 6 | 5 | 4 | 3 | 2 | 1 | 0 |
| 00h | 100TH_seconds | 0 | 0 | 0 | 0 | 0 | 0 | 0 | 0 |
| 01h | Seconds | 1 | 0 | 0 | 0 | 0 | 0 | 0 | 0 |
| 02h | Minutes | 0 | 0 | 0 | 0 | 0 | 0 | 0 | 0 |
| 03h | Hours | 0 | 0 | 0 | 0 | 0 | 0 | 0 | 0 |
| 04h | Days | 0 | 0 | 0 | 0 | 0 | 0 | 0 | 1 |
| 05h | Weekdays | 0 | 0 | 0 | 0 | 0 | 1 | 1 | 0 |
| 06h | Months | 0 | 0 | 0 | 0 | 0 | 0 | 0 | 1 |
| 07h | Years | 0 | 0 | 0 | 0 | 0 | 0 | 0 | 0 |
| 08h | Second_alarm1 | - | - | - | - | - | - | - | - |
| | Second_alm1 | | | | | | | | |
| 09h | Minute_alarm1 | - | - | - | - | - | - | - | - |
| | Minute_alm1 | | | | | | | | |
| 0Ah | Hour_alarm1 | - | - | - | - | - | - | - | - |
| | Hr_xx_xx_00_alm1 | | | | | | | | |
| 0Bh | Day_alarm1 | - | - | - | - | - | - | - | - |
| | Hr_xx_00_xx_alm1 | | | | | | | | |
| 0Ch | Month_alarm1 | - | - | - | - | - | - | - | - |
| | Hr_00_xx_xx_alm1 | | | | | | | | |
| 0Dh | Minute_alarm2 | - | - | - | - | - | - | - | - |
| | Minute_alm2 | | | | | | | | |
| 0Eh | Hour_alarm2 | - | - | - | - | - | - | - | - |
| | Hr_xx_00_alm2 | | | | | | | | |
| 0Fh | Weekday_alarm2 | - | - | - | - | - | - | - | - |
| | Hr_00_xx_alm2 | | | | | | | | |

Table 61. Registers reset values...continued
Registers labeled as - remain unchanged.

| Address | Register name | Bit | | | | | | | |
|------------|----------------|-----|---|---|---|---|---|---|---|
| | | 7 | 6 | 5 | 4 | 3 | 2 | 1 | 0 |
| 10h | Alarm enables | 0 | 0 | 0 | 0 | 0 | 0 | 0 | 0 |
| 11h to 16h | Timestamp 1 | 0 | 0 | 0 | 0 | 0 | 0 | 0 | 0 |
| 17h to 1Ch | Timestamp 2 | 0 | 0 | 0 | 0 | 0 | 0 | 0 | 0 |
| 1Dh to 22h | Timestamp 3 | 0 | 0 | 0 | 0 | 0 | 0 | 0 | 0 |
| 23h | Timestamp_mode | 0 | 0 | 0 | 0 | 0 | 0 | 0 | 0 |
| 24h | Offset | 0 | 0 | 0 | 0 | 0 | 0 | 0 | 0 |
| 25h | Oscillator | 0 | 0 | 0 | 0 | 0 | 0 | 0 | 0 |
| 26h | Battery_switch | 0 | 0 | 0 | 0 | 0 | 0 | 0 | 0 |
| 27h | Pin_IO | 0 | 0 | 0 | 0 | 0 | 0 | 0 | 0 |
| 28h | Function | 0 | 0 | 0 | 0 | 0 | 0 | 0 | 0 |
| 29h | INTA_enable | 0 | 0 | 0 | 0 | 0 | 0 | 0 | 0 |
| 2Ah | INTB_enable | 0 | 0 | 0 | 0 | 0 | 0 | 0 | 0 |
| 2Bh | Flags | 0 | 0 | 0 | 0 | 0 | 0 | 0 | 0 |
| 2Ch | RAM_byte | 0 | 0 | 0 | 0 | 0 | 0 | 0 | 0 |
| 2Dh | WatchDog | 0 | 0 | 0 | 0 | 0 | 0 | 0 | 0 |
| 2Fh | Reset | 0 | 0 | 0 | 0 | 0 | 0 | 0 | 0 |

7.15.2 CPR: clear prescaler

To set the time for RTC mode accurately or to clear the time in stop-watch mode, the clear prescaler instruction is needed.

Before sending this instruction, it is recommended to first set *stop* either by the STOP bit or by the TS pin (see STOPM bit).

See STOP definition for an explanation on using this instruction.

7.15.3 CTS: clear timestamp

The timestamp registers (address 11h to 22h) can be set to all 0 with this instruction.

7.16 Stop_enable register

Table 62. Stop_enable - control of STOP bit (address 2Eh)

| Bit | Symbol | Value | Description |
|--------|--------|------------------|----------------------|
| 7 to 1 | - | 0000 000 | not used |
| 0 | STOP | | STOP bit |
| | | 0 ^[1] | RTC clock runs |
| | | 1 | RTC clock is stopped |

[1] Default value.

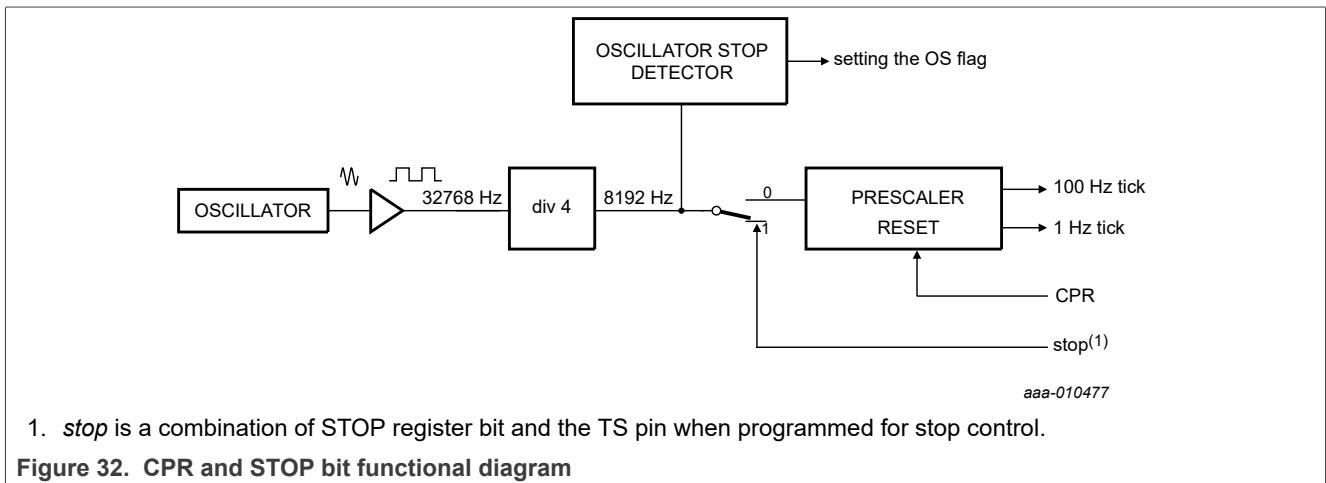
The STOP bit stops the time from counting in both RTC mode and stop-watch mode. For RTC mode STOP is useful to set the time accurately. For stop-watch mode it is the start/stop control for the watch.

The counter can also be controlled from the TS pin by configuring STOPM in the Function register (Section 7.13). The internal stop signal is a combination of STOP and the TS pin state.

Table 63. Counter stop signal

| STOP bit | TS pin ^{[1] [2]} | stop signal | Counter |
|----------|---------------------------|-------------|---------|
| 1 | - | 1 | stopped |
| - | 1 | 1 | stopped |
| 0 | 0 | 0 | running |

[1] Requires STOPM and TSPM[1:0] to be configured.
 [2] TSL = 0 (active HIGH) (Pin_IO register, address 27h).

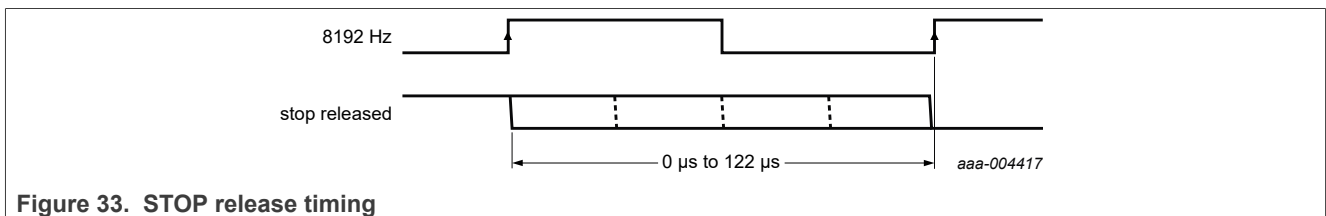


The stop signal blocks the 8.192 kHz clock from generating system clocks and freezes the time. In this state, the prescaler can be cleared with the CPR command in the Resets register (Section 7.15).

Remark: The output of clock frequencies is not affected.

The time circuits can then be set and do not increment until the STOP bit is released.

The stop acts on the 8.192 kHz signal. And because the I²C-bus or TS pin input is asynchronous to the crystal oscillator, the accuracy of restarting the time circuits is between zero and one 8.192 kHz cycle (see Figure 33).



The first increment of the time circuits is between 0 s and 122 μs after STOP is released.

The flow for accurately setting the time in RTC mode is:

- start an I²C access at register 2Eh
- set STOP bit

- send CPR instruction
- address counter rolls over to address 00h
- set time (100th seconds, seconds to years)
- end I²C access
- wait for external time reference to indicate that time counting should start
- start an I²C access at register 2Eh
- clear STOP bit (time starts counting from now)
- end I²C access

The flow for resetting time in stop-watch mode is:

- start an I²C access at register 2Eh
- set STOP bit
- send CPR instruction
- address counter will roll over to address 00h
- set time to 000000:00:00.00
- end I²C access

8 I²C-bus interface

The I²C-bus is for bidirectional, two-line communication between different ICs. The two lines are a Serial DATA line (SDA) and a Serial CLock line (SCL). Both lines must be connected to a positive supply via a pull-up resistor. Data transfer may be initiated only when the bus is not busy. Both data and clock lines remain HIGH when the bus is not busy. The PCF85263A acts as a target receiver when being written to and as a target transmitter when being read from.

Remark: When on V_{BAT} power, the interface is not accessible.

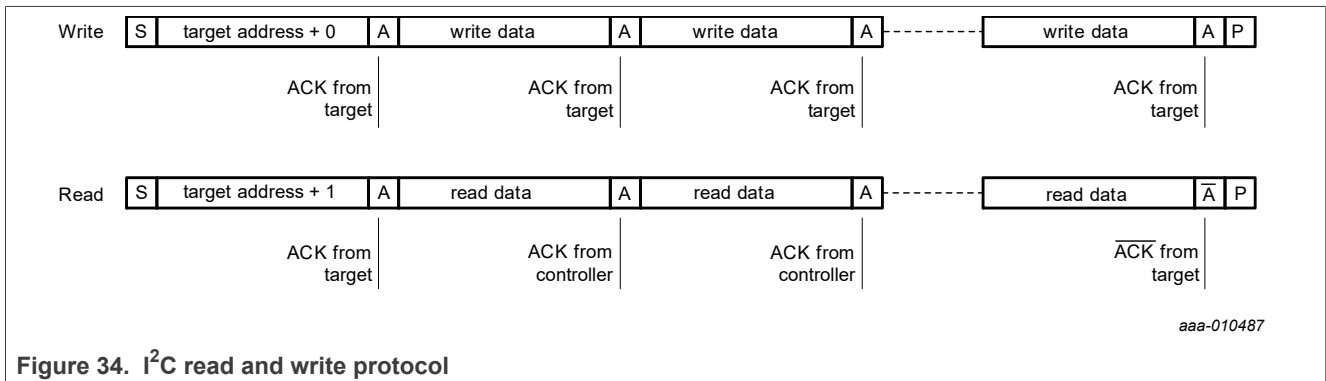


Figure 34. I²C read and write protocol

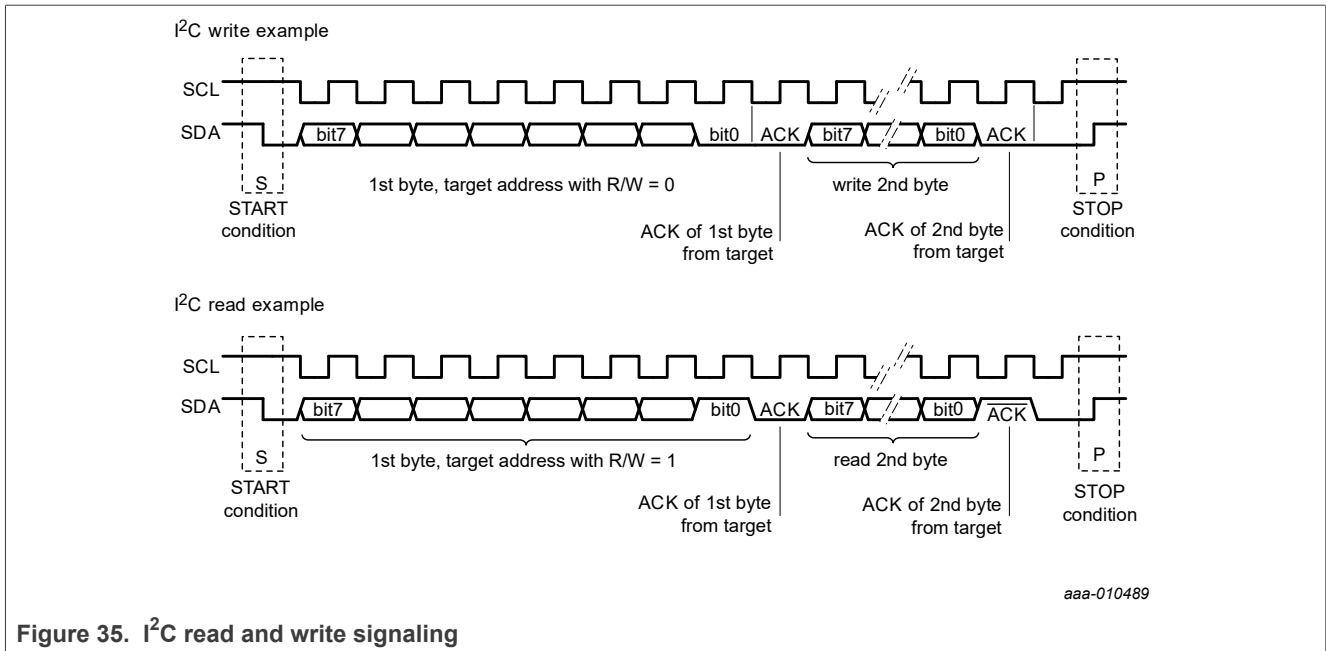


Figure 35. I²C read and write signaling

8.1 Bit transfer

One data bit is transferred during each clock pulse. The data on the SDA line must remain stable during the HIGH period of the clock pulse, as changes in the data line at this time are interpreted as STOP or START conditions.

8.2 START and STOP conditions

A HIGH-to-LOW transition of the data line while the clock is HIGH is defined as the START condition - S.

A LOW-to-HIGH transition of the data line while the clock is HIGH is defined as the STOP condition - P (see [Figure 35](#)).

8.3 Acknowledge

Each byte of 8 bits is followed by an acknowledge cycle. An acknowledge is defined as logic 0. A not-acknowledge is defined as logic 1.

When written to, the target will generate an acknowledge after the reception of each byte. After the acknowledge, another byte may be transmitted. It is also possible to send a STOP or START condition.

When read from, the controller receiver must generate an acknowledge after the reception of each byte. When the controller receiver no longer requires bytes to be transmitter, it must generate a not-acknowledge. After the not-acknowledge, either a STOP or START condition must be sent.

A detailed description of the I²C-bus specification is given in [\[8\]](#).

9 Interface protocol

The PCF85263A uses the I²C interface for data transfer. Interpretation of the data is determined by the interface protocol.

9.1 Write protocol

After the I²C target address is transmitted, the PCF85263A requires that the register address pointer is defined. It can take the value 00h to 2Fh. Values outside of that range will result in the transfer being ignored, however the target will still respond with acknowledge pulses.

After the register address is transmitted, write data is transmitted. The minimum number of data write bytes is 0 and the maximum number is unlimited. After each write, the address pointer increments by one. After address 2Fh, the address pointer will roll over to 00h.

- I²C START condition
- I²C target address + write
- register address
- write data
- write data
- :
- write data
- I²C STOP condition; an I²C RE-START condition is also possible.

9.2 Read protocol

When reading the PCF85263A, reading starts at the current position of the address pointer. The address pointer for read data should first be defined by a write sequence.

- I²C START condition
- I²C target address + write
- register address
- I²C STOP condition; an I²C RE-START condition is also possible.

After setting the address pointer, a read can be executed. After the I²C target address is transmitted, the PCF85263A will immediately output read data. After each read, the address pointer increments by one. After address 2Fh, the address pointer will roll over to 00h.

- I²C START condition
- I²C target address + read
- read data (controller sends acknowledge bit)
- read data (controller sends acknowledge bit)
- :
- read data (controller sends **not**-acknowledge bit)
- I²C STOP condition. An I²C RE-START condition is also possible.

The controller must indicate that the last byte has been read by generating a not-acknowledge after the last read byte.

9.3 Target addressing

9.3.1 Target address

One I²C-bus target address (1010 001) is reserved for the PCF85263A. The entire I²C-bus target address byte is shown in [Table 64](#).

Table 64. I²C target address byte

| | | Target address | | | | | | | |
|-----|-----|----------------|---|---|---|---|---|-----|--|
| Bit | 7 | 6 | 5 | 4 | 3 | 2 | 1 | 0 | |
| | MSB | | | | | | | LSB | |
| | 1 | 0 | 1 | 0 | 0 | 0 | 1 | R/W | |

After a START condition, the I²C target address has to be sent to the PCF85263A device.

Target address can also be written in a hexadecimal format:

- A2h - Write target address
- A3h - Read target address

10 Application design-in information

In this application, stop-watch mode is used to implement an elapsed time counter. The TS pin is used with a mechanical switch to start and stop the time. Each time the time is stopped, timestamp2 is loaded with the current time and an interrupt is generated on the INTA pin.

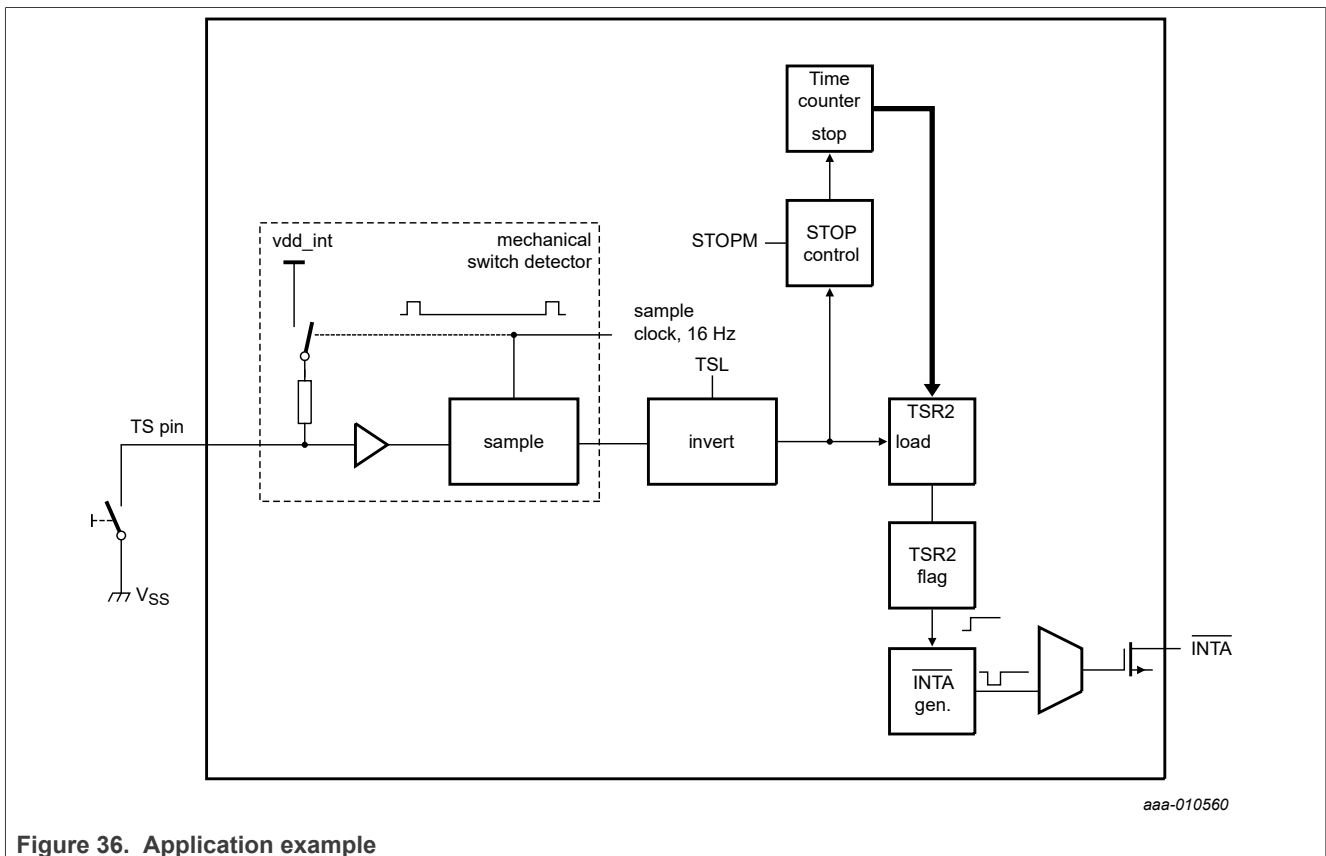


Figure 36. Application example

The RTC must be configured correctly for this mode of operation. Outlined in [Table 65](#) are the settings needed for this mode.

In addition, the time must be set and any other configurations like battery switch-over, quartz oscillator driving mode, etc., which are dependent on the application.

The sampler circuit shown in [Figure 36](#) will hold invalid data until the mechanical switch detector mode is enabled. It then requires a minimum of one sample period to initialize to the current TS pin level. It is recommended to enable the mechanical detector mode on the TS pin at least 62.5 ms before enabling the TS event mode. Failure to do so can result in a false first event.

Table 65. Application configuration

| Register | Section | Bit(s) | State | Comment |
|----------|------------------------------|-------------|-------|---------------------------------------|
| Pin_IO | Section 7.12 | TSPM[1:0] | 11 | TS pin in input mode |
| Pin_IO | Section 7.12 | TSIM | 1 | select mechanical switch mode |
| Pin_IO | Section 7.12 | TSL | 1 | TS pin input is active LOW |
| Function | Section 7.13 | STOPM | 1 | allow TS pin to control STOP |
| | | TSRIEA | 1 | allow timestamps to create interrupts |
| | | ILPA | 0 | generate interrupt pulses |
| TSR_mode | Section 7.12 | TSR2M[2:0] | 101 | last event mode for timestamp2 |
| Pin_IO | Section 7.12 | INTAPM[1:0] | 10 | output interrupt on INTA |

[Figure 37](#) shows the waveforms that can be expected. *sample clock*, *vdd_int* and *stop* are internal nodes. *vdd_int* is the supply which operates the IC and will be either V_{DD} or V_{BAT}, depending on the state of the battery switch-over.

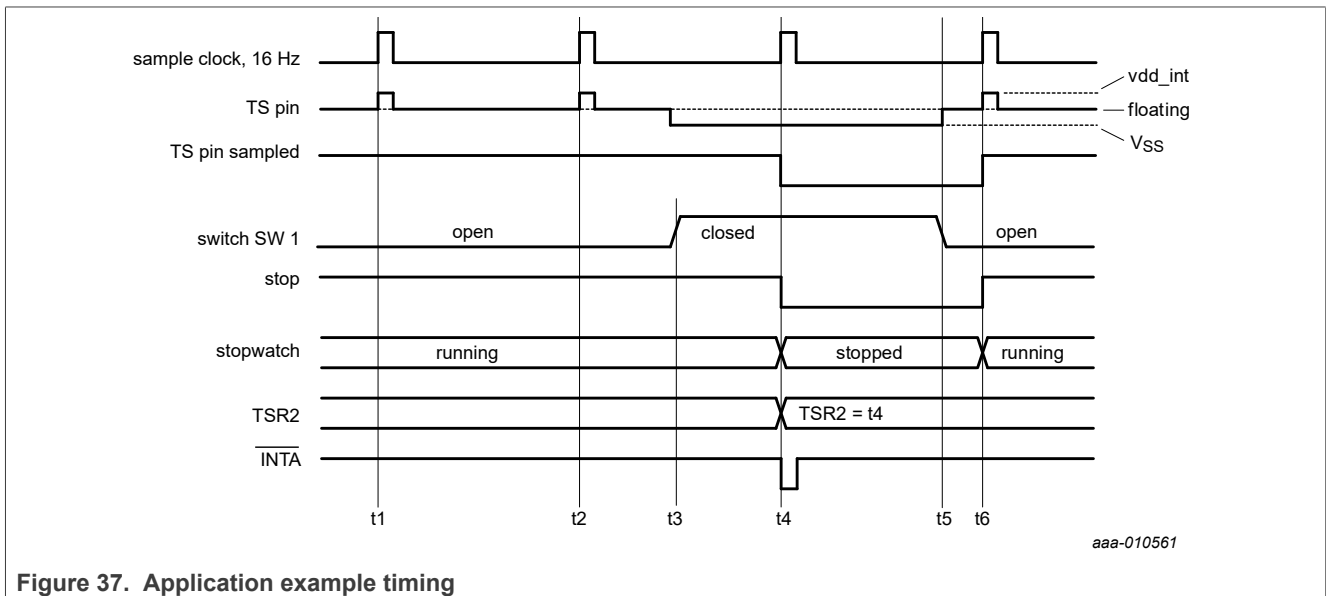


Figure 37. Application example timing

- At and before t1, SW1 is open (TS pin floating). The TS pin is sampled and the internal pull-up resistor will pull the pin HIGH to *vdd_int*. No actions are taken by the IC.
- At t2, SW1 is still open. No action is taken by the IC.
- At t3, SW1 closes. The TS pin is now shorted to V_{SS}. The TS pin has not been sampled yet, so no action is taken by the IC.
- At t4, SW1 is closed. The internal pull-up resistor is enabled, but TS pin remains LOW. The pin is then sampled and the LOW level detected. As the TSL bit was set for active LOW detection, the HIGH-LOW transition of TS pin sampled triggers an event. STOPM mode was configured to allow the TS pin to stop the time counting. As the TSL bit was set for active LOW, time counting stops when the TS pin is LOW.

Timestamp register 2 was configured to take a copy of the time on an event of the TS pin, hence TSR2 loads the time t4. TSR2F is also set.

INTA was configured to generate an interrupt when TSR2 loads a new time, hence an interrupt pulse is seen on INTA.

- At t5, SW1 is opened. No action is taken by the IC.
- At t6, SW1 is open. The internal pull-up is active and the TS pin raises to *vdd_int* level. The HIGH level is sampled and causes the *stop* signal to be released and time starts counting again.

11 Internal circuitry

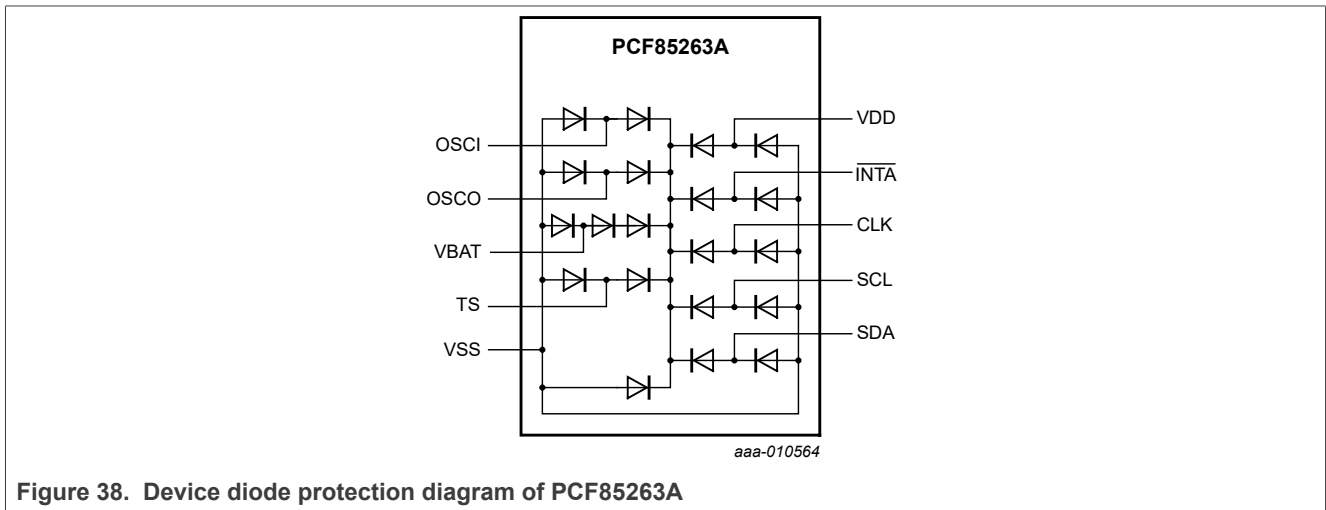


Figure 38. Device diode protection diagram of PCF85263A

12 Safety notes

CAUTION



This device is sensitive to ElectroStatic Discharge (ESD). Observe precautions for handling electrostatic sensitive devices. Such precautions are described in the *ANSI/ESD S20.20*, *IEC/ST 61340-5*, *JESD625-A* or equivalent standards.

13 Limiting values

Table 66. Limiting values

In accordance with the Absolute Maximum Rating System (IEC 60134).

| Symbol | Parameter | Conditions | Min | Max | Unit | |
|------------------|---------------------------------|----------------------------|-------|------|-------|----|
| V _{DD} | supply voltage | | -0.5 | +6.5 | V | |
| I _{DD} | supply current | | -50 | +50 | mA | |
| V _{BAT} | battery supply voltage | | -0.5 | +6.5 | V | |
| I _{BAT} | battery supply current | | -50 | +50 | mA | |
| V _I | input voltage | on pins SCL, SDA, OSCI, TS | -0.5 | +6.5 | V | |
| V _O | output voltage | | -0.5 | +6.5 | V | |
| I _I | input current | at any input | -10 | +10 | mA | |
| I _O | output current | at any output | -10 | +10 | mA | |
| P _{tot} | total power dissipation | | - | 300 | mW | |
| V _{ESD} | electrostatic discharge voltage | HBM | [1] | - | ±3500 | V |
| | | CDM | [2] | | | |
| | | PCF85263AT | | - | ±1500 | V |
| | | PCF85263ATL | | - | ±1750 | V |
| | | PCF85263ATT | | - | ±1000 | V |
| | | PCF85263ATT1 | | - | ±2000 | V |
| PCF85263AUK | | - | ±1000 | V | | |
| I _{lu} | latch-up current | | [3] | - | 200 | mA |
| T _{stg} | storage temperature | | [4] | -65 | +150 | °C |
| T _{amb} | ambient temperature | operating device | | -40 | +85 | °C |

[1] Pass level; Human Body Model (HBM) according to [1].

[2] Pass level; Charged-Device Model (CDM), according to [2].

[3] Pass level; latch-up testing, according to [3] at maximum ambient temperature (T_{amb(max)}).

[4] According to the store and transport requirements (see [9]) the devices have to be stored at a temperature of +8 °C to +45 °C and a humidity of 25 % to 75 %.

14 Characteristics

Table 67. Characteristics

V_{DD} = 0.9 V to 5.5 V; V_{SS} = 0 V; T_{amb} = -40 °C to +85 °C; f_{osc} = 32.768 kHz; quartz R_s = 60 kΩ; C_L = 7 pF; all registers in reset state; unless otherwise specified.

| Symbol | Parameter | Conditions | Min | Typ | Max | Unit | |
|------------------|------------------------|--|-----|-----|-----|------|---|
| Supplies | | | | | | | |
| V _{DD} | supply voltage | interface inactive; f _{SCL} = 0 Hz | [1] | 0.9 | - | 5.5 | V |
| | | interface active; f _{SCL} = 400 kHz | [2] | 1.8 | - | 5.5 | V |
| V _{BAT} | battery supply voltage | | [1] | 0.9 | - | 5.5 | V |

Tiny RTC/calendar with alarm function, battery switch-over, time stamp input, and I²C-bus

Table 67. Characteristics...continued

$V_{DD} = 0.9\text{ V to }5.5\text{ V}$; $V_{SS} = 0\text{ V}$; $T_{amb} = -40\text{ °C to }+85\text{ °C}$; $f_{osc} = 32.768\text{ kHz}$; quartz $R_s = 60\text{ k}\Omega$; $C_L = 7\text{ pF}$; all registers in reset state; unless otherwise specified.

| Symbol | Parameter | Conditions | Min | Typ | Max | Unit | |
|--------------------------|------------------------------|--|--------------|--------------|---------------|---------------|---------------|
| I_{DD} | supply current | CLKOUT disabled; $V_{DD} = 3.3\text{ V}$; interface inactive; $f_{SCL} = 0\text{ Hz}$ | [3] | | | | |
| | | battery switch enabled | | | | | |
| | | $T_{amb} = 25\text{ °C}$ | | - | 320 | 480 | nA |
| | | $T_{amb} = 50\text{ °C}$ | | - | 370 | 550 | nA |
| | | $T_{amb} = 85\text{ °C}$ | | - | 590 | 885 | nA |
| | | battery switch disabled | [4] | | | | |
| | | $T_{amb} = 25\text{ °C}$ | | - | 280 | 420 | nA |
| | | $T_{amb} = 50\text{ °C}$ | | - | 330 | 500 | nA |
| | | $T_{amb} = 85\text{ °C}$ | | - | 550 | 825 | nA |
| | | CLKOUT disabled; $V_{DD} = 3.3\text{ V}$; interface active; $f_{SCL} = 400\text{ kHz}$ | | - | 10 | μA | |
| $I_{L(BAT)}$ | battery leakage current | $V_{DD} \geq V_{BAT}$ | | - | - | 10 | nA |
| | | $V_{DD} < V_{BAT}$ | | - | - | 100 | nA |
| Reference voltage | | | | | | | |
| V_{th} | threshold voltage | HIGH falling V_{DD} | | 2.4 | 2.6 | 2.8 | V |
| | | HIGH rising V_{DD} | | 2.5 | 2.7 | 2.95 | V |
| | | LOW falling V_{DD} | | 1.3 | 1.4 | 1.5 | V |
| | | LOW rising V_{DD} | | 1.37 | 1.47 | 1.6 | V |
| | | reference voltage hysteresis | | - | ± 50 | - | mV |
| Inputs [5] | | | | | | | |
| V_I | input voltage | | -0.5 | - | +5.5 | V | |
| V_{IL} | LOW-level input voltage | | -0.5 | - | +0.3 V_{DD} | V | |
| V_{IH} | HIGH-level input voltage | | 0.7 V_{DD} | - | 5.5 | V | |
| I_{LI} | input leakage current | $V_I = V_{SS}$ or V_{DD} | | - | 0 | - | μA |
| | | post ESD event | | -0.5 | - | +0.5 | μA |
| C_i | input capacitance | | [6] | - | 7 | pF | |
| $R_{PU(TS)}$ | pull-up resistance on pin TS | 80 k Ω mode | [7] | 68 | 80 | 92 | k Ω |
| | | 40 k Ω mode | [7] | 36 | 40 | 64 | k Ω |
| Outputs | | | | | | | |
| V_{OH} | HIGH-level output voltage | on pin CLK, TS | | 0.8 V_{DD} | - | V_{DD} | V |
| V_{OL} | LOW-level output voltage | on pins SDA, \overline{INTA} , CLK, TS | | V_{SS} | - | 0.2 V_{DD} | V |

Tiny RTC/calendar with alarm function, battery switch-over, time stamp input, and I²C-bus

Table 67. Characteristics...continued

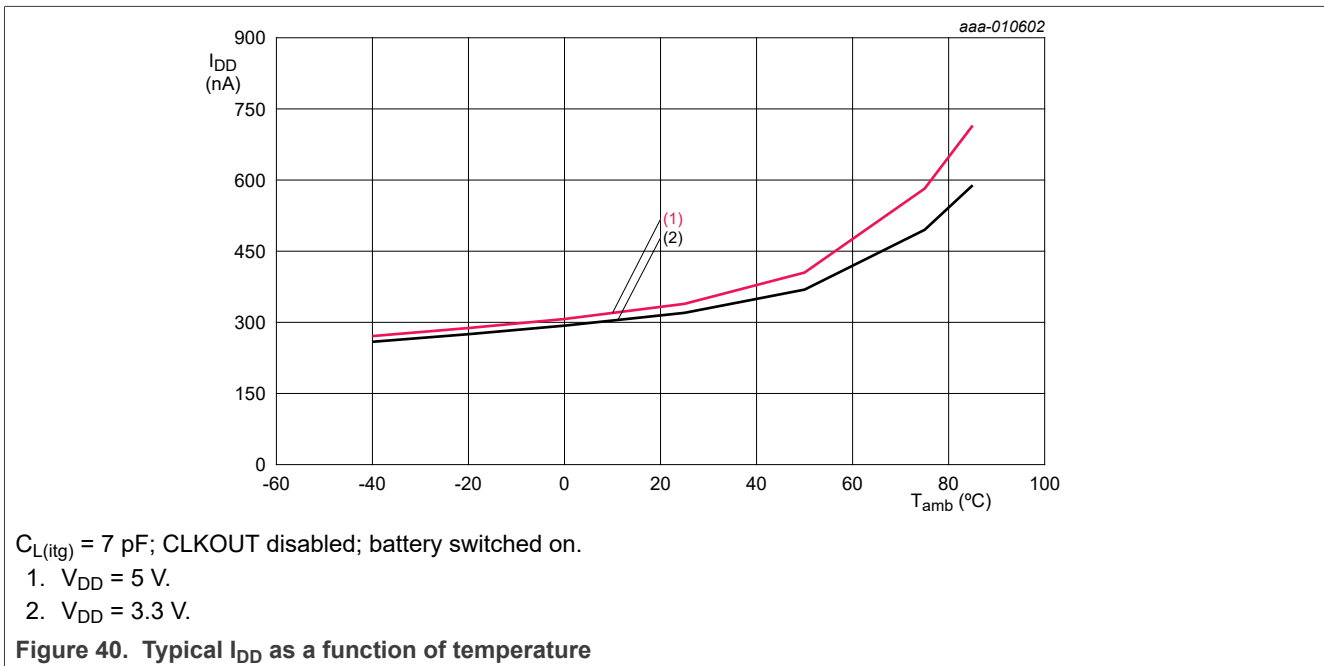
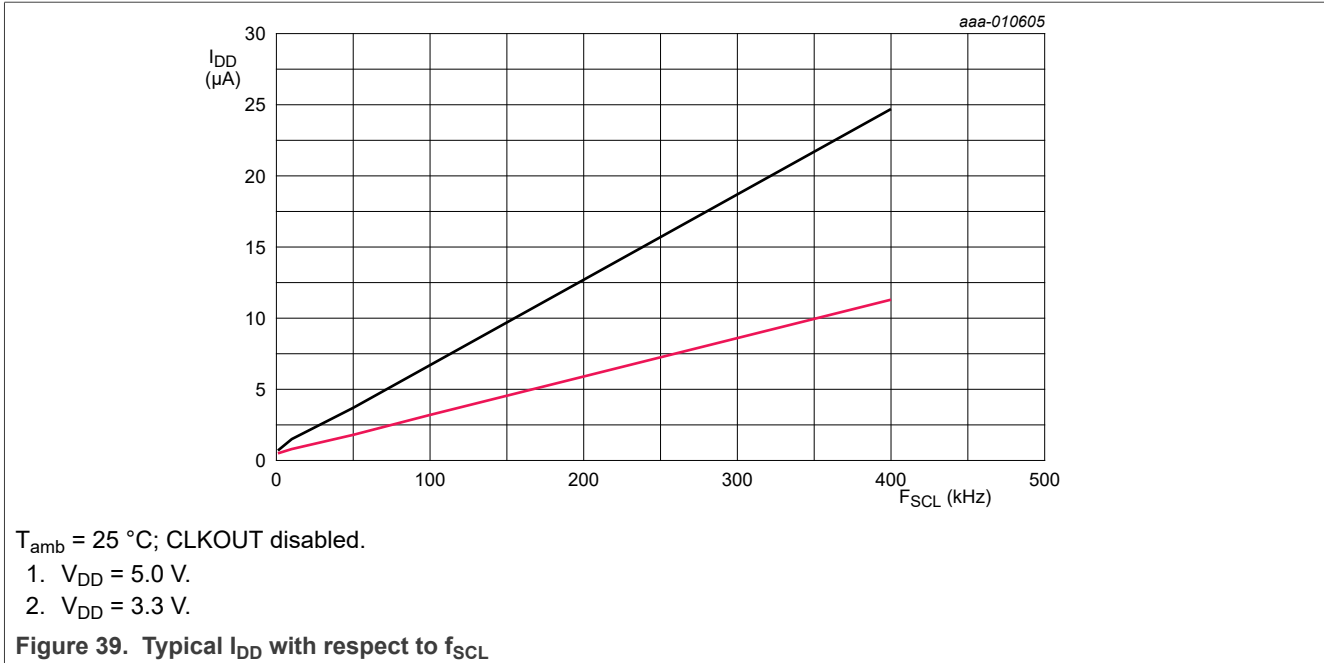
V_{DD} = 0.9 V to 5.5 V; V_{SS} = 0 V; T_{amb} = -40 °C to +85 °C; f_{osc} = 32.768 kHz; quartz R_s = 60 kΩ; C_L = 7 pF; all registers in reset state; unless otherwise specified.

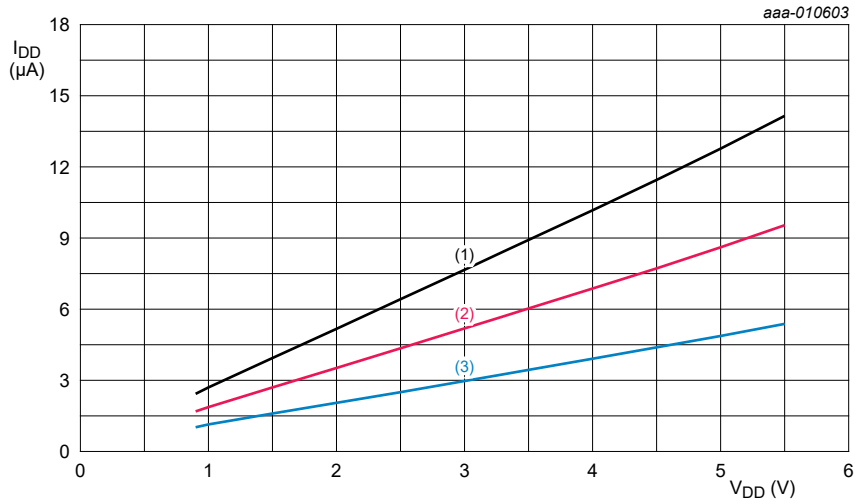
| Symbol | Parameter | Conditions | Min | Typ | Max | Unit | |
|-------------------------------------|---|---|------|-------|------|------|----|
| I _{OH} | HIGH-level output current | output source current; V _{OH} = 2.9 V; V _{DD} = 3.3 V; on pin CLK, TS | 1 | 3 | - | mA | |
| I _{OL} | LOW-level output current | output sink current; V _{OL} = 0.4 V; V _{DD} = 3.3 V | | | | | |
| | | on pin SDA | 3 | 8.5 | - | mA | |
| | | on pin INTA | 2 | 6 | - | mA | |
| | | on pin CLK | 1 | 3 | - | mA | |
| | | on pin TS | 1 | 3 | - | mA | |
| Oscillator | | | | | | | |
| Δf _{osc} /f _{osc} | relative oscillator frequency variation | ΔV _{DD} = 200 mV; T _{amb} = 25 °C | - | 0.075 | - | ppm | |
| t _{jit} | jitter time | LOWJ = 0 | [8] | 50 | - | ns | |
| | | LOWJ = 1 | - | 25 | - | ns | |
| C _{L(itg)} | integrated load capacitance | on pins OSCO, OSCI; V _{DD} = 3.3 V | [9] | | | | |
| | | C _L = 6 pF | | 4.8 | 6 | 7.2 | pF |
| | | C _L = 7 pF | | 5.6 | 7 | 8.4 | pF |
| | | C _L = 12.5 pF | | 10 | 12.5 | 15 | pF |
| R _s | series resistance | of the quartz; normal drive | [10] | 60 | 100 | kΩ | |

- [1] For reliable oscillator start-up at power-on use V_{DD} greater than 1.2 V. If powered up at 0.9 V the oscillator will start but it might be a bit slow, especially if at high temperature. Normally the power supply is not 0.9 V at start-up and only comes at the end of battery discharge. V_{DD} min of 0.9 V is specified so that the customer can calculate how large a battery or capacitor they need for their application. V_{DD} min of 1.2 V or greater is needed to ensure speedy oscillator start-up time.
- [2] 400 kHz I2C operation is production tested at 1.8 V. Design methodology allows I2C operation at 1.8 V - 5 % (1.71 V) which has been verified during product characterization on a limited number of devices.
- [3] Measured after reset and CLK disabled, level of inputs is V_{DD} or V_{SS}.
- [4] Measured after reset, CLK disabled, battery switch disabled and level of inputs is V_{DD} or V_{SS}.
- [5] The I²C-bus interface of PCF85263A is 5 V tolerant.
- [6] Implicit by design.
- [7] See [Table 44](#).
- [8] See [Table 32](#).
- [9] Integrated load capacitance, C_{L(itg)}, is a calculation of C_{OSCI} and C_{OSCO} in series.

$$C_{L(itg)} = \frac{(C_{OSCI}C_{OSCO})}{(C_{OSCI}+C_{OSCO})}$$

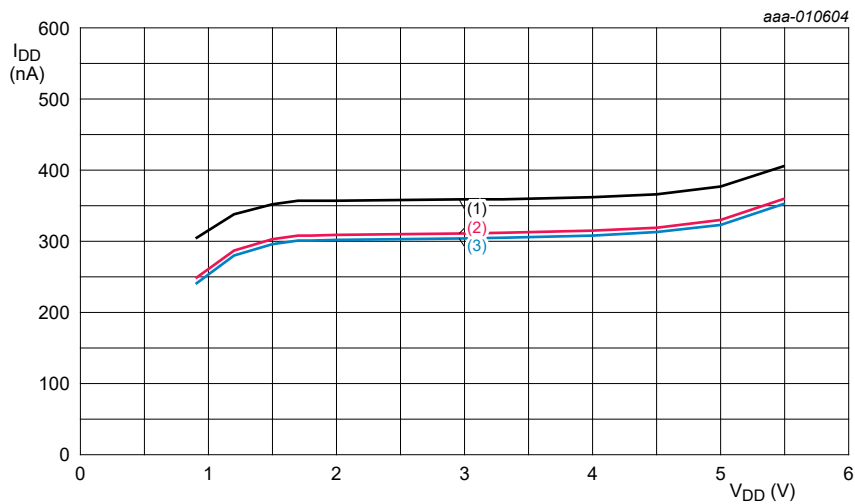
[10] See [Table 33](#).





T_{amb} = 25 °C; f_{CLKOUT} = 32 768 Hz.

1. 47 pF CLKOUT load.
2. 22 pF CLKOUT load.
3. 0 pF CLKOUT load.



T_{amb} = 25 °C; CLKOUT disabled.

1. C_{L(itg)} = 12.5 pF.
2. C_{L(itg)} = 7 pF.
3. C_{L(itg)} = 6 pF.

Figure 41. Typical I_{DD} with respect to V_{DD}

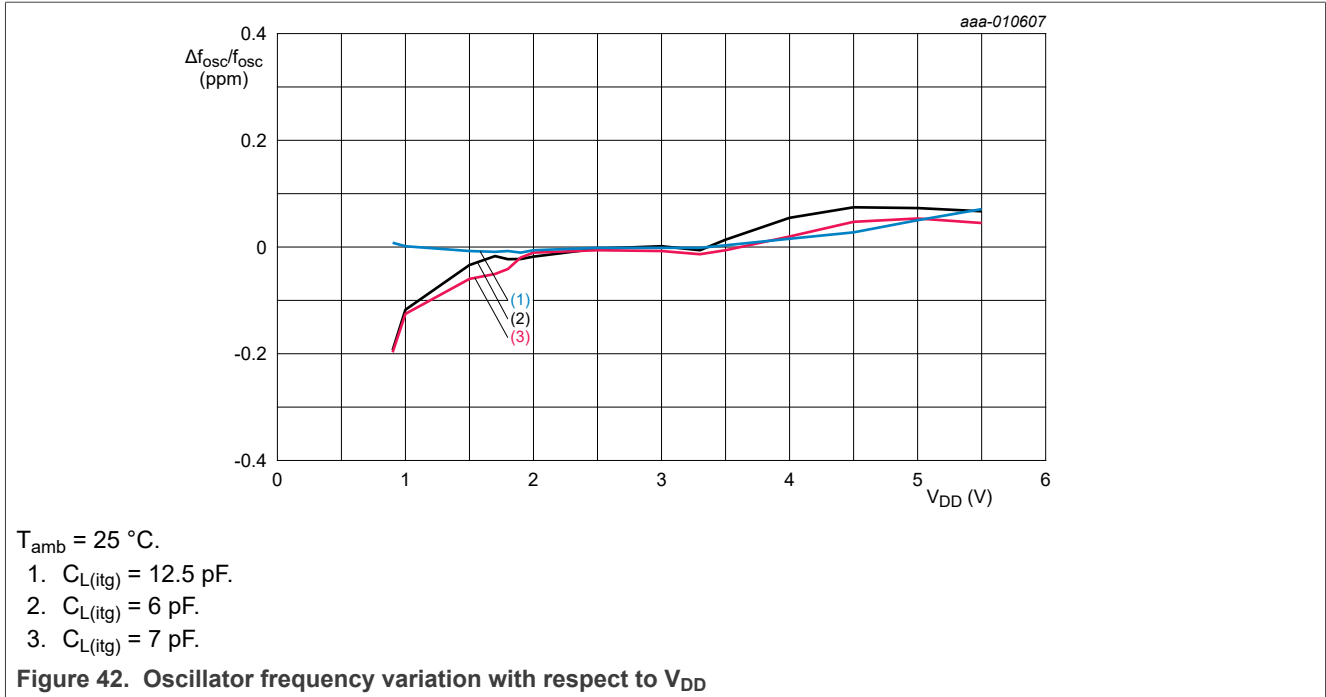


Table 68. I²C-bus characteristics

$V_{DD} = 1.8\text{ V to }5.5\text{ V}$; $V_{SS} = 0\text{ V}$; $T_{amb} = -40\text{ }^{\circ}\text{C to }+85\text{ }^{\circ}\text{C}$; $f_{osc} = 32.768\text{ kHz}$; quartz $R_s = 60\text{ k}\Omega$; $C_L = 7\text{ pF}$; unless otherwise specified. All timing values are valid within the operating supply voltage and temperature range and referenced to V_{IL} and V_{IH} with an input voltage swing of V_{SS} to V_{DD} [1].

| Symbol | Parameter | Conditions | Min | Max | Unit |
|--------------|--|------------|---|-----|---------------|
| C_b | capacitive load for each bus line | | - | 400 | pF |
| f_{SCL} | SCL clock frequency | | [2] 0 | 400 | kHz |
| $t_{HD;STA}$ | hold time (repeated) START condition | | 0.6 | - | μs |
| $t_{SU;STA}$ | set-up time for a repeated START condition | | 0.6 | - | μs |
| t_{LOW} | LOW period of the SCL clock | | 1.3 | - | μs |
| t_{HIGH} | HIGH period of the SCL clock | | 0.6 | - | μs |
| t_r | rise time of both SDA and SCL signals | | 20 | 300 | ns |
| t_f | fall time of both SDA and SCL signals | | [3] [4] $20 \times (V_{DD} / 5.5\text{ V})$ | 300 | ns |
| t_{BUF} | bus free time between a STOP and START condition | | 1.3 | - | μs |
| $t_{SU;DAT}$ | data set-up time | | 100 | - | ns |

Table 68. I²C-bus characteristics...continued

$V_{DD} = 1.8\text{ V to }5.5\text{ V}$; $V_{SS} = 0\text{ V}$; $T_{amb} = -40\text{ }^{\circ}\text{C to }+85\text{ }^{\circ}\text{C}$; $f_{osc} = 32.768\text{ kHz}$; quartz $R_s = 60\text{ k}\Omega$; $C_L = 7\text{ pF}$; unless otherwise specified. All timing values are valid within the operating supply voltage and temperature range and referenced to V_{IL} and V_{IH} with an input voltage swing of V_{SS} to V_{DD} ^[1].

| Symbol | Parameter | Conditions | Min | Max | Unit |
|--------------|---|------------|-----|-----|---------------|
| $t_{HD;DAT}$ | data hold time | | 0 | - | ns |
| $t_{SU;STO}$ | set-up time for STOP condition | | 0.6 | - | μs |
| $t_{VD;DAT}$ | data valid time | | 0 | 0.9 | μs |
| $t_{VD;ACK}$ | data valid acknowledge time | | 0 | 0.9 | μs |
| t_{SP} | pulse width of spikes that must be suppressed by the input filter | | 0 | 50 | ns |

- [1] A detailed description of the I²C-bus specification is given in [8].
- [2] I²C-bus access time between two STARTs or between a START and a STOP condition to this device must be less than one second.
- [3] A device must internally provide a hold time of at least 300 ns for the SDA signal (with respect to the $V_{IH(min)}$ of the SCL signal) to bridge the undefined region of the falling edge of SCL.
- [4] The maximum t_f for the SDA and SCL bus lines is specified at 300 ns. The maximum fall time for the SDA output stage t_f is specified at 250 ns. This allows series protection resistors to be connected in between the SDA and the SCL pins and the SDA/SCL bus lines without exceeding the maximum specified t_f .

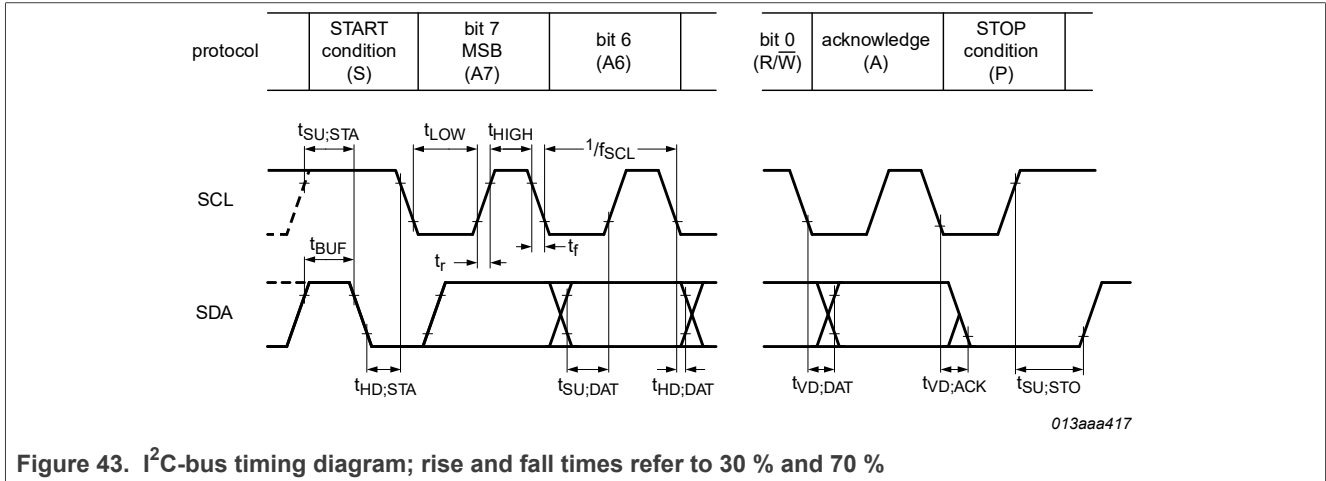


Figure 43. I²C-bus timing diagram; rise and fall times refer to 30 % and 70 %

15 Application information

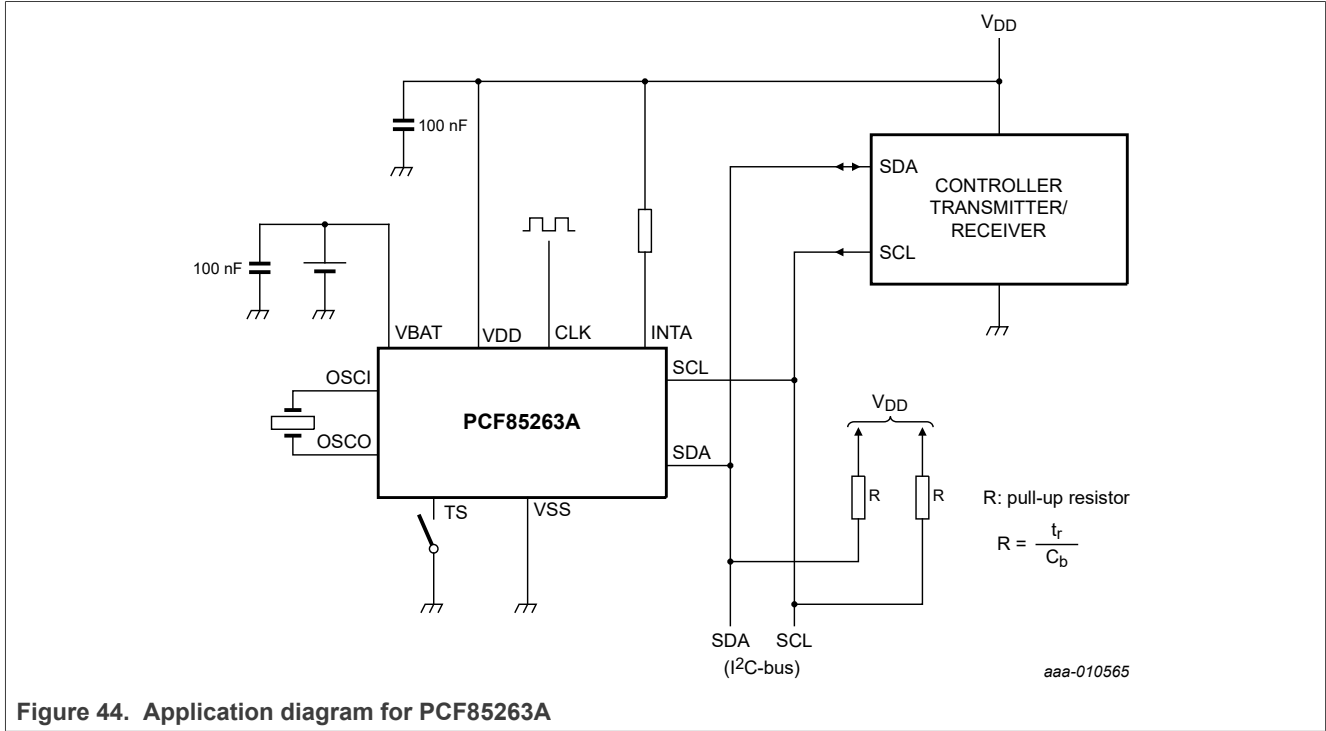


Figure 44. Application diagram for PCF85263A

The data sheet values were obtained using a crystal with an ESR of 60 kΩ. If a crystal with an ESR of 70 kΩ is used then the power consumption would increase by a few nA and the start-up time will increase slightly.

16 Test information

16.1 Quality information

UL Component Recognition

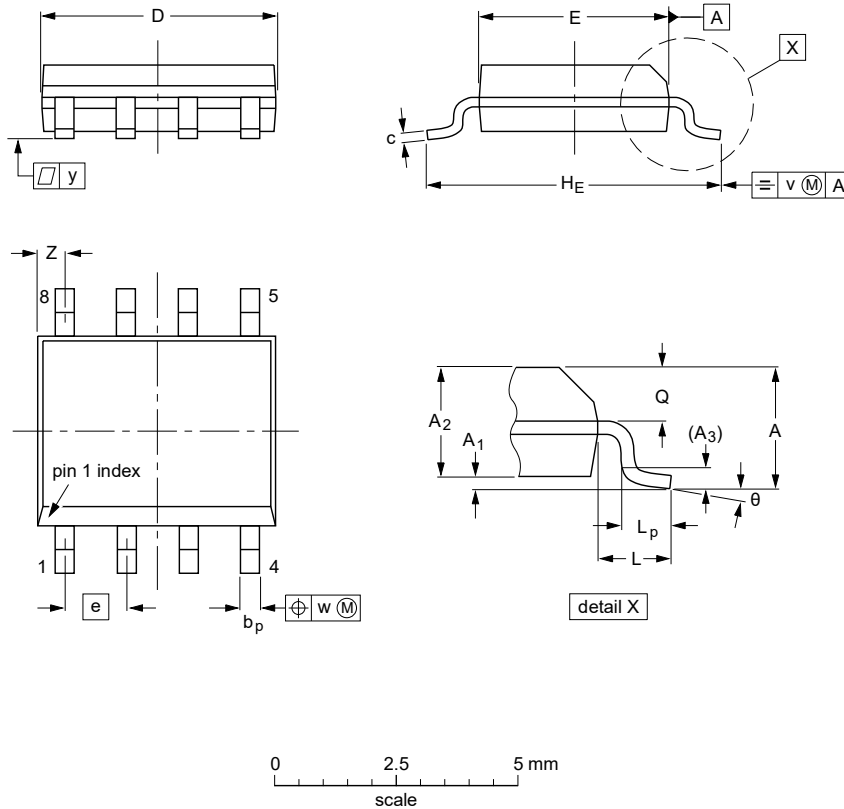


This (component or material) is Recognized by UL. Representative samples of this component have been evaluated by UL and meet applicable UL requirements.

17 Package outline

SO8: plastic small outline package; 8 leads; body width 3.9 mm

SOT96-1



DIMENSIONS (inch dimensions are derived from the original mm dimensions)

| UNIT | A max. | A ₁ | A ₂ | A ₃ | b _p | c | D ⁽¹⁾ | E ⁽²⁾ | e | H _E | L | L _p | Q | v | w | y | Z ⁽¹⁾ | θ |
|--------|--------|----------------|----------------|----------------|----------------|------------------|------------------|------------------|------|----------------|-------|----------------|----------------|------|------|-------|------------------|----------|
| mm | 1.75 | 0.25 0.10 | 1.45 1.25 | 0.25 | 0.49 0.36 | 0.25 0.19 | 5.0 4.8 | 4.0 3.8 | 1.27 | 6.2 5.8 | 1.05 | 1.0 0.4 | 0.7 0.6 | 0.25 | 0.25 | 0.1 | 0.7 0.3 | 8° 0° |
| inches | 0.069 | 0.010 0.004 | 0.057 0.049 | 0.01 | 0.019 0.014 | 0.0100 0.0075 | 0.20 0.19 | 0.16 0.15 | 0.05 | 0.244 0.228 | 0.041 | 0.039 0.016 | 0.028 0.024 | 0.01 | 0.01 | 0.004 | 0.028 0.012 | |

Notes

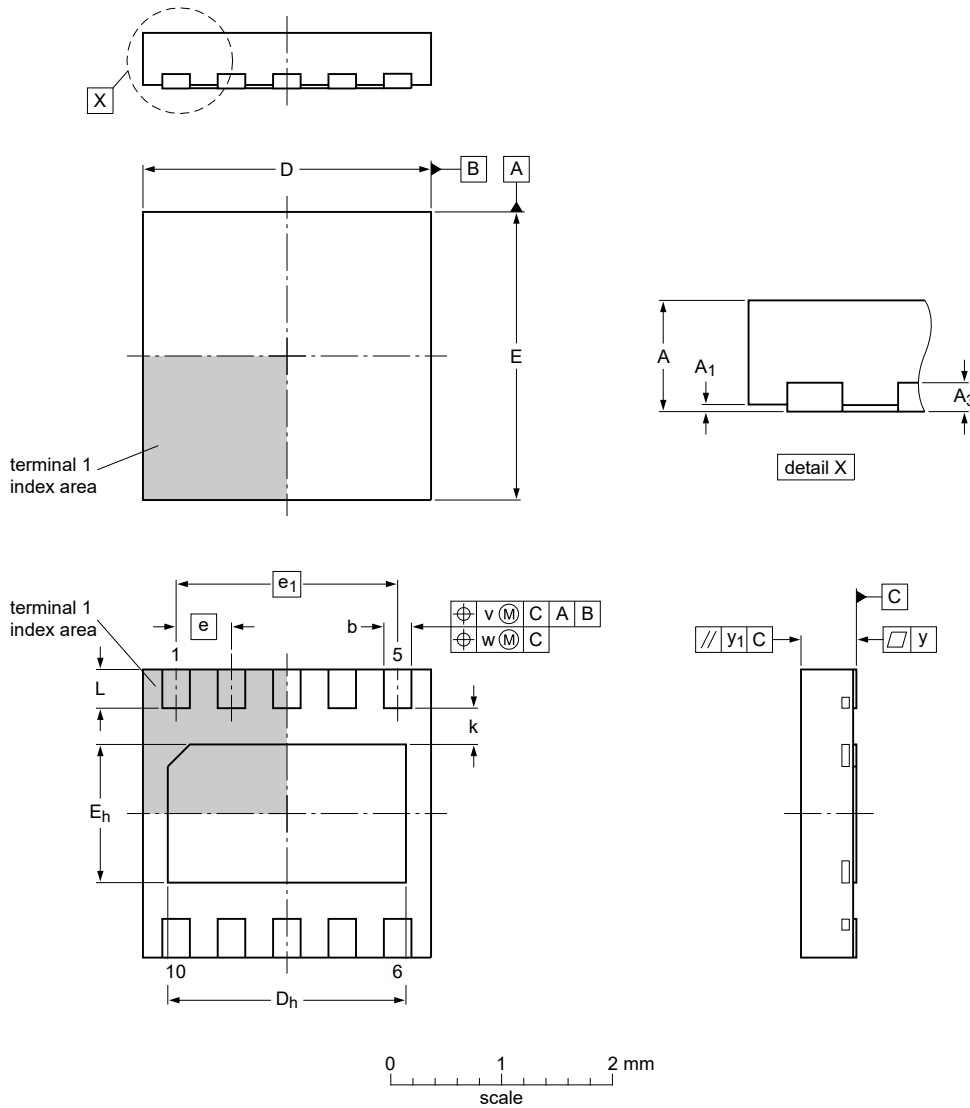
1. Plastic or metal protrusions of 0.15 mm (0.006 inch) maximum per side are not included.
2. Plastic or metal protrusions of 0.25 mm (0.01 inch) maximum per side are not included.

| OUTLINE VERSION | REFERENCES | | | EUROPEAN PROJECTION | ISSUE DATE |
|-----------------|------------|--------|-------|---------------------|----------------------|
| | IEC | JEDEC | JEITA | | |
| SOT96-1 | 076E03 | MS-012 | | | 99-12-27 03-02-18 |

Figure 45. Package outline SOT96-1 (SO8), PCF85263AT

DFN2626-10: plastic thermal enhanced extremely thin small outline package; no leads;
10 terminals; body 2.6 x 2.6 x 0.5 mm

SOT1197-1



Dimensions

| Unit ⁽¹⁾ | A | A ₁ | A ₃ | b | D | D _h | E | E _h | e | e ₁ | k | L | v | w | y | y ₁ |
|---------------------|-----|----------------|----------------|------|-----|----------------|-----|----------------|-----|----------------|-----|------|-----|------|------|----------------|
| max | 0.5 | 0.05 | | 0.30 | 2.7 | 2.20 | 2.7 | 1.30 | | | | 0.40 | | | | |
| mm nom | | | 0.127 | 0.25 | 2.6 | 2.15 | 2.6 | 1.25 | 0.5 | 2 | | 0.35 | 0.1 | 0.05 | 0.05 | 0.05 |
| min | | 0.00 | | 0.20 | 2.5 | 2.10 | 2.5 | 1.20 | | | 0.2 | 0.30 | | | | |

Note

1. Plastic or metal protrusions of 0.075 mm maximum per side are not included.

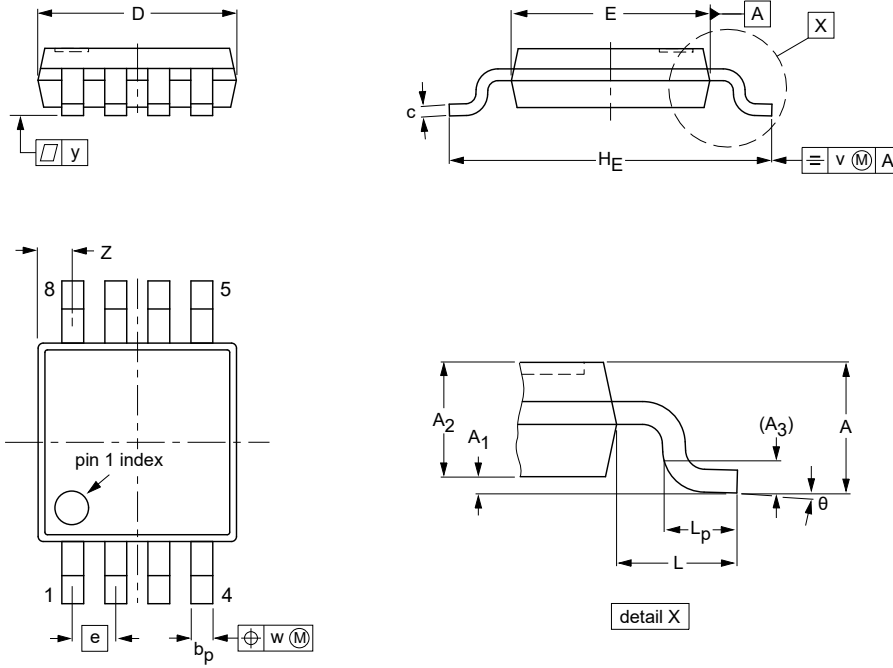
sot1197-1_po

| Outline version | References | | | European projection | Issue date |
|-----------------|------------|-------|-------|---------------------|----------------------|
| | IEC | JEDEC | JEITA | | |
| SOT1197-1 | --- | --- | --- | | 11-01-20 12-09-16 |

Figure 46. Package outline SOT1197-1 (DFN2626-10), PCF85263ATL

TSSOP8: plastic thin shrink small outline package; 8 leads; body width 3 mm

SOT505-1



DIMENSIONS (mm are the original dimensions)

| UNIT | A _{max.} | A ₁ | A ₂ | A ₃ | b _p | c | D ⁽¹⁾ | E ⁽²⁾ | e | H _E | L | L _p | v | w | y | Z ⁽¹⁾ | θ |
|------|-------------------|----------------|----------------|----------------|----------------|--------------|------------------|------------------|------|----------------|------|----------------|-----|-----|-----|------------------|----------|
| mm | 1.1 | 0.15 0.05 | 0.95 0.80 | 0.25 | 0.45 0.25 | 0.28 0.15 | 3.1 2.9 | 3.1 2.9 | 0.65 | 5.1 4.7 | 0.94 | 0.7 0.4 | 0.1 | 0.1 | 0.1 | 0.70 0.35 | 6° 0° |

Notes

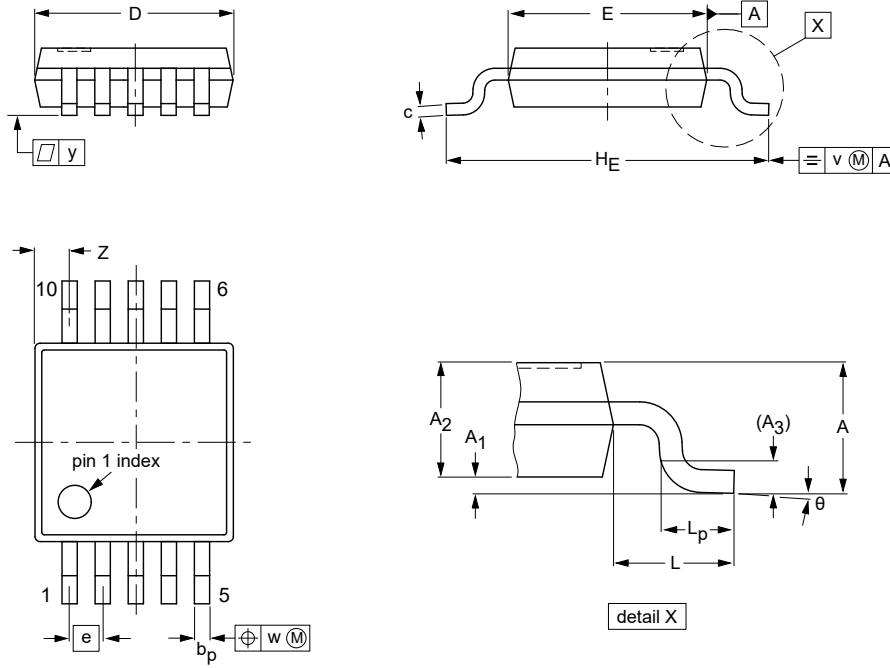
1. Plastic or metal protrusions of 0.15 mm maximum per side are not included.
2. Plastic or metal protrusions of 0.25 mm maximum per side are not included.

| OUTLINE VERSION | REFERENCES | | | | EUROPEAN PROJECTION | ISSUE DATE |
|-----------------|------------|-------|-------|--|---------------------|----------------------|
| | IEC | JEDEC | JEITA | | | |
| SOT505-1 | | | | | | 99-04-09 03-02-18 |

Figure 47. Package outline SOT505-1 (TSSOP8), PCF85263ATT

TSSOP10: plastic thin shrink small outline package; 10 leads; body width 3 mm

SOT552-1



DIMENSIONS (mm are the original dimensions)

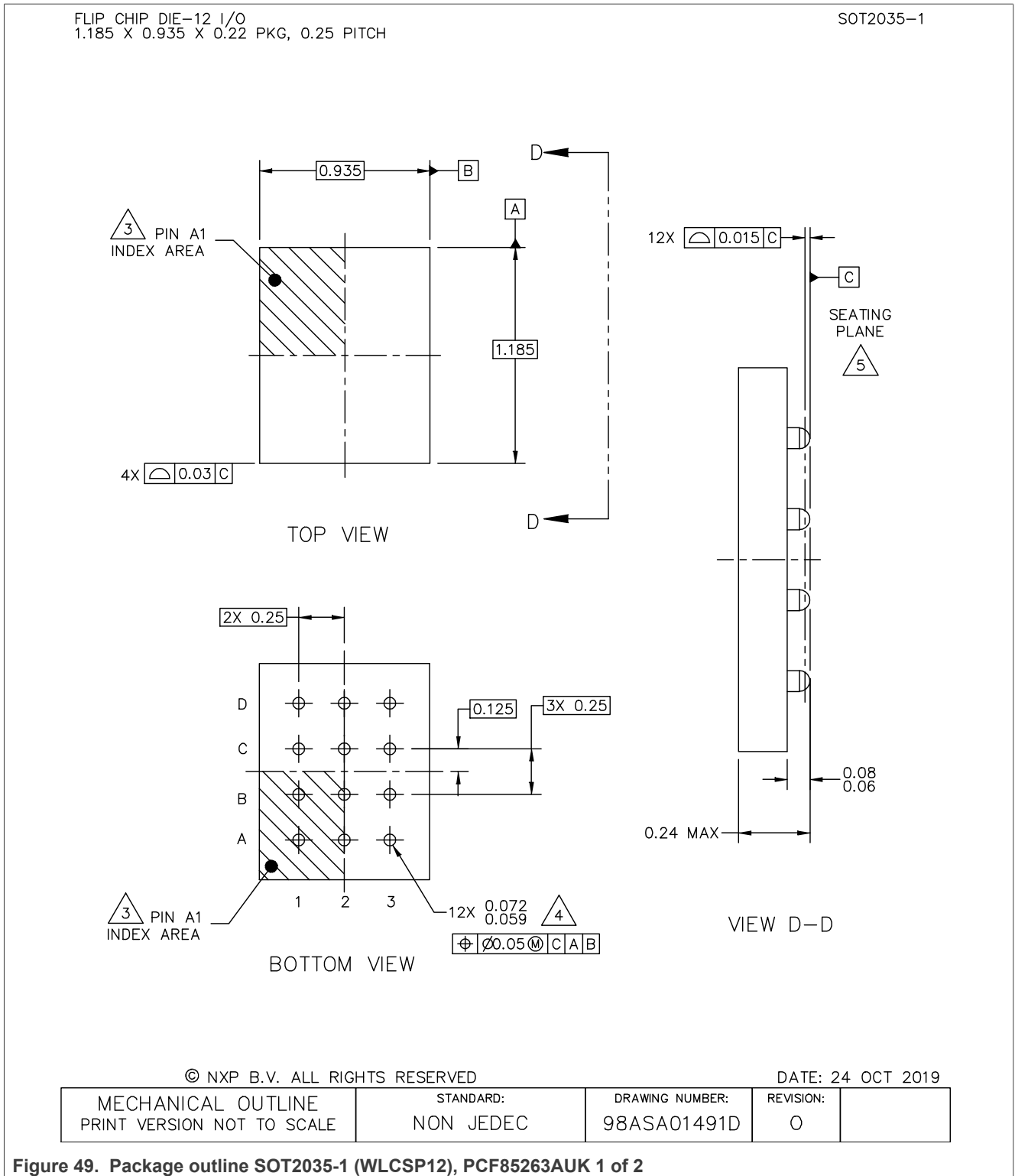
| UNIT | A max. | A ₁ | A ₂ | A ₃ | b _p | c | D ⁽¹⁾ | E ⁽²⁾ | e | H _E | L | L _p | v | w | y | Z ⁽¹⁾ | θ |
|------|-----------|----------------|----------------|----------------|----------------|--------------|------------------|------------------|-----|----------------|------|----------------|-----|-----|-----|------------------|----------|
| mm | 1.1 | 0.15 0.05 | 0.95 0.80 | 0.25 | 0.30 0.15 | 0.23 0.15 | 3.1 2.9 | 3.1 2.9 | 0.5 | 5.0 4.8 | 0.95 | 0.7 0.4 | 0.1 | 0.1 | 0.1 | 0.67 0.34 | 6° 0° |

Notes

1. Plastic or metal protrusions of 0.15 mm maximum per side are not included.
2. Plastic or metal protrusions of 0.25 mm maximum per side are not included.

| OUTLINE VERSION | REFERENCES | | | | EUROPEAN PROJECTION | ISSUE DATE |
|--------------------|------------|-------|-------|--|------------------------|---------------------------------|
| | IEC | JEDEC | JEITA | | | |
| SOT552-1 | | | | | | 99-07-29 03-02-18 |

Figure 48. Package outline SOT552-1 (TSSOP10), PCF85263ATT1



Tiny RTC/calendar with alarm function, battery switch-over, time stamp input, and I²C-bus

FLIP CHIP DIE—12 I/O
1.185 X 0.935 X 0.22 PKG, 0.25 PITCH

SOT2035-1

NOTES:

1. ALL DIMENSIONS IN MILLIMETERS.
2. DIMENSIONING AND TOLERANCING PER ASME Y14.5M-1994.
3. PIN A1 FEATURE SHAPE, SIZE AND LOCATION MAY VARY.
4. MAXIMUM SOLDER BALL DIAMETER MEASURED PARALLEL TO DATUM C.
5. DATUM C, THE SEATING PLANE, IS DETERMINED BY THE SPHERICAL CROWNS OF THE SOLDER BALLS.

© NXP B.V. ALL RIGHTS RESERVED

DATE: 24 OCT 2019

| | | | | |
|--|------------------------|--------------------------------|----------------|--|
| MECHANICAL OUTLINE PRINT VERSION NOT TO SCALE | STANDARD: NON JEDEC | DRAWING NUMBER: 98ASA01491D | REVISION: 0 | |
|--|------------------------|--------------------------------|----------------|--|

Figure 50. Package outline SOT2035-1 (WLCSP12), PCF85263AUK 2 of 2

18 Handling information

All input and output pins are protected against ElectroStatic Discharge (ESD) under normal handling. When handling Metal-Oxide Semiconductor (MOS) devices ensure that all normal precautions are taken as described in *JESD625-A*, *IEC 61340-5* or equivalent standards.

19 Packing information

For tape and reel packing information, please see [\[4\]](#), [\[5\]](#), [\[6\]](#), and [\[7\]](#) in [Section 24](#).

20 Soldering of SMD packages

This text provides a very brief insight into a complex technology. A more in-depth account of soldering ICs can be found in Application Note *AN10365 "Surface mount reflow soldering description"*.

20.1 Introduction to soldering

Soldering is one of the most common methods through which packages are attached to Printed Circuit Boards (PCBs), to form electrical circuits. The soldered joint provides both the mechanical and the electrical connection. There is no single soldering method that is ideal for all IC packages. Wave soldering is often preferred when through-hole and Surface Mount Devices (SMDs) are mixed on one printed wiring board; however, it is not suitable for fine pitch SMDs. Reflow soldering is ideal for the small pitches and high densities that come with increased miniaturization.

20.2 Wave and reflow soldering

Wave soldering is a joining technology in which the joints are made by solder coming from a standing wave of liquid solder. The wave soldering process is suitable for the following:

- Through-hole components
- Leaded or leadless SMDs, which are glued to the surface of the printed circuit board

Not all SMDs can be wave soldered. Packages with solder balls, and some leadless packages which have solder lands underneath the body, cannot be wave soldered. Also, leaded SMDs with leads having a pitch smaller than ~0.6 mm cannot be wave soldered, due to an increased probability of bridging.

The reflow soldering process involves applying solder paste to a board, followed by component placement and exposure to a temperature profile. Leaded packages, packages with solder balls, and leadless packages are all reflow solderable.

Key characteristics in both wave and reflow soldering are:

- Board specifications, including the board finish, solder masks and vias
- Package footprints, including solder thieves and orientation
- The moisture sensitivity level of the packages
- Package placement
- Inspection and repair
- Lead-free soldering versus SnPb soldering

20.3 Wave soldering

Key characteristics in wave soldering are:

- Process issues, such as application of adhesive and flux, clinching of leads, board transport, the solder wave parameters, and the time during which components are exposed to the wave
- Solder bath specifications, including temperature and impurities

20.4 Reflow soldering

Key characteristics in reflow soldering are:

- Lead-free versus SnPb soldering; note that a lead-free reflow process usually leads to higher minimum peak temperatures (see [Figure 51](#)) than a SnPb process, thus reducing the process window
- Solder paste printing issues including smearing, release, and adjusting the process window for a mix of large and small components on one board
- Reflow temperature profile; this profile includes preheat, reflow (in which the board is heated to the peak temperature) and cooling down. It is imperative that the peak temperature is high enough for the solder to make reliable solder joints (a solder paste characteristic). In addition, the peak temperature must be low enough that the packages and/or boards are not damaged. The peak temperature of the package depends on package thickness and volume and is classified in accordance with [Table 69](#) and [Table 70](#)

Table 69. SnPb eutectic process (from J-STD-020D)

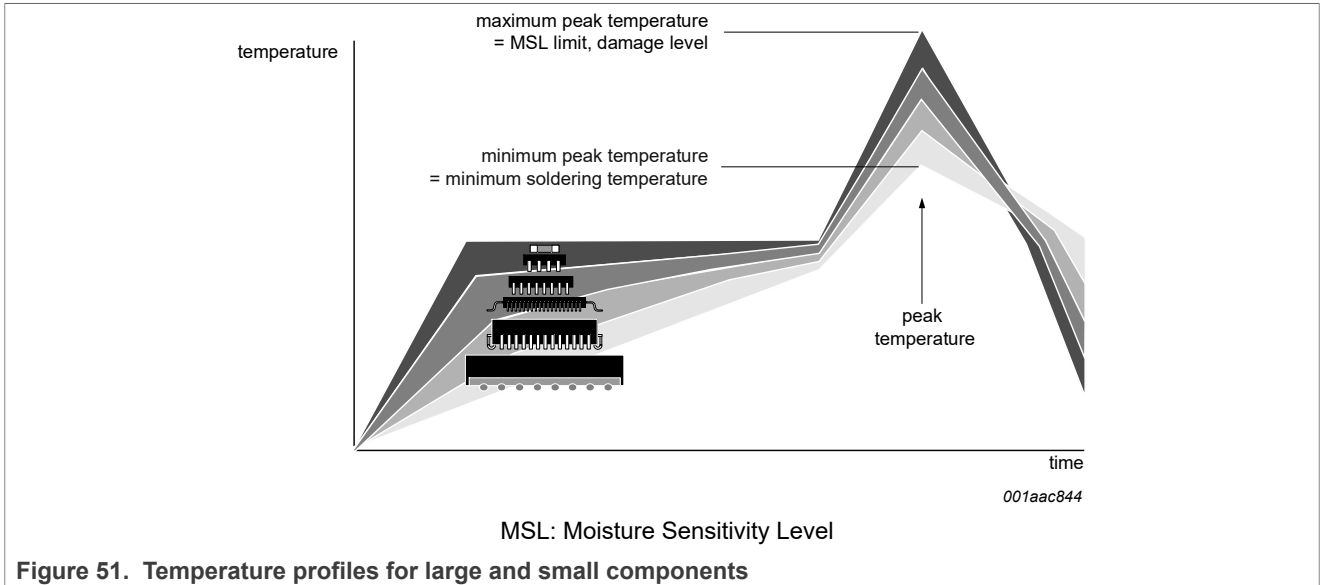
| Package thickness (mm) | Package reflow temperature (°C) | |
|------------------------|---------------------------------|-------|
| | Volume (mm ³) | |
| | < 350 | ≥ 350 |
| < 2.5 | 235 | 220 |
| ≥ 2.5 | 220 | 220 |

Table 70. Lead-free process (from J-STD-020D)

| Package thickness (mm) | Package reflow temperature (°C) | | |
|------------------------|---------------------------------|-------------|--------|
| | Volume (mm ³) | | |
| | < 350 | 350 to 2000 | > 2000 |
| < 1.6 | 260 | 260 | 260 |
| 1.6 to 2.5 | 260 | 250 | 245 |
| > 2.5 | 250 | 245 | 245 |

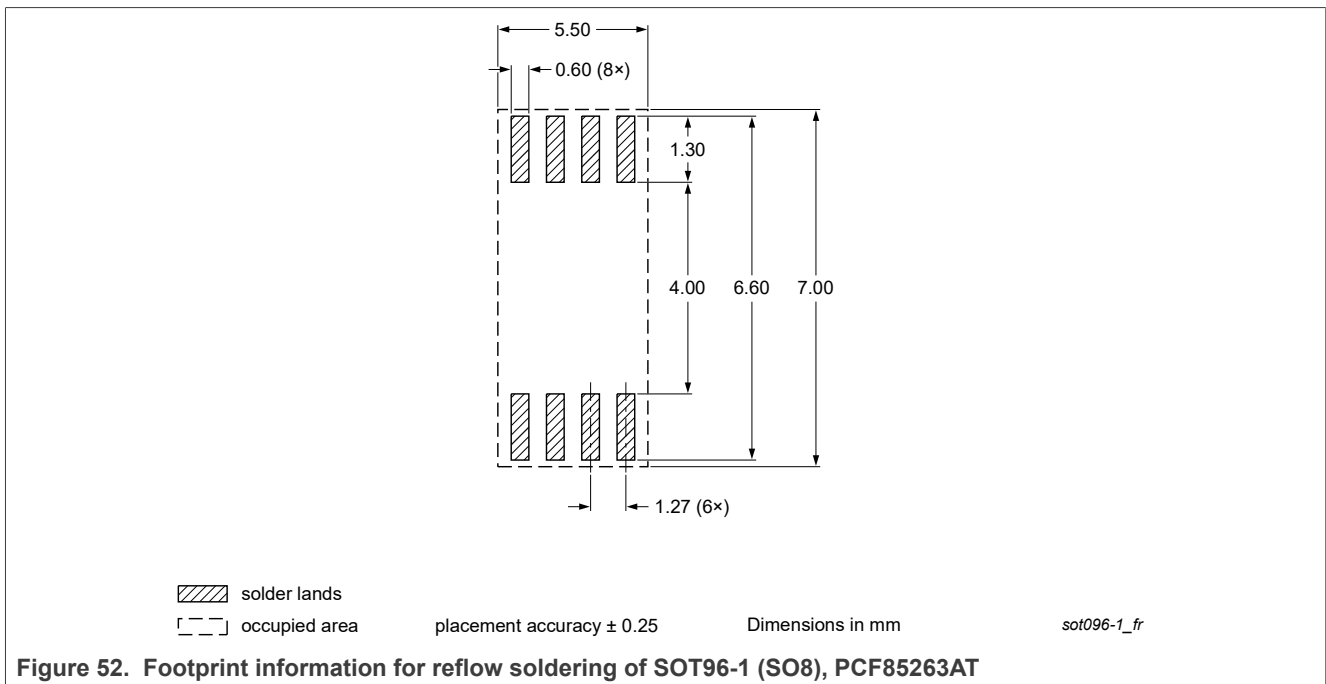
Moisture sensitivity precautions, as indicated on the packing, must be respected at all times.

Studies have shown that small packages reach higher temperatures during reflow soldering, see [Figure 51](#).



For further information on temperature profiles, refer to Application Note AN10365 “Surface mount reflow soldering description”.

21 Footprint information



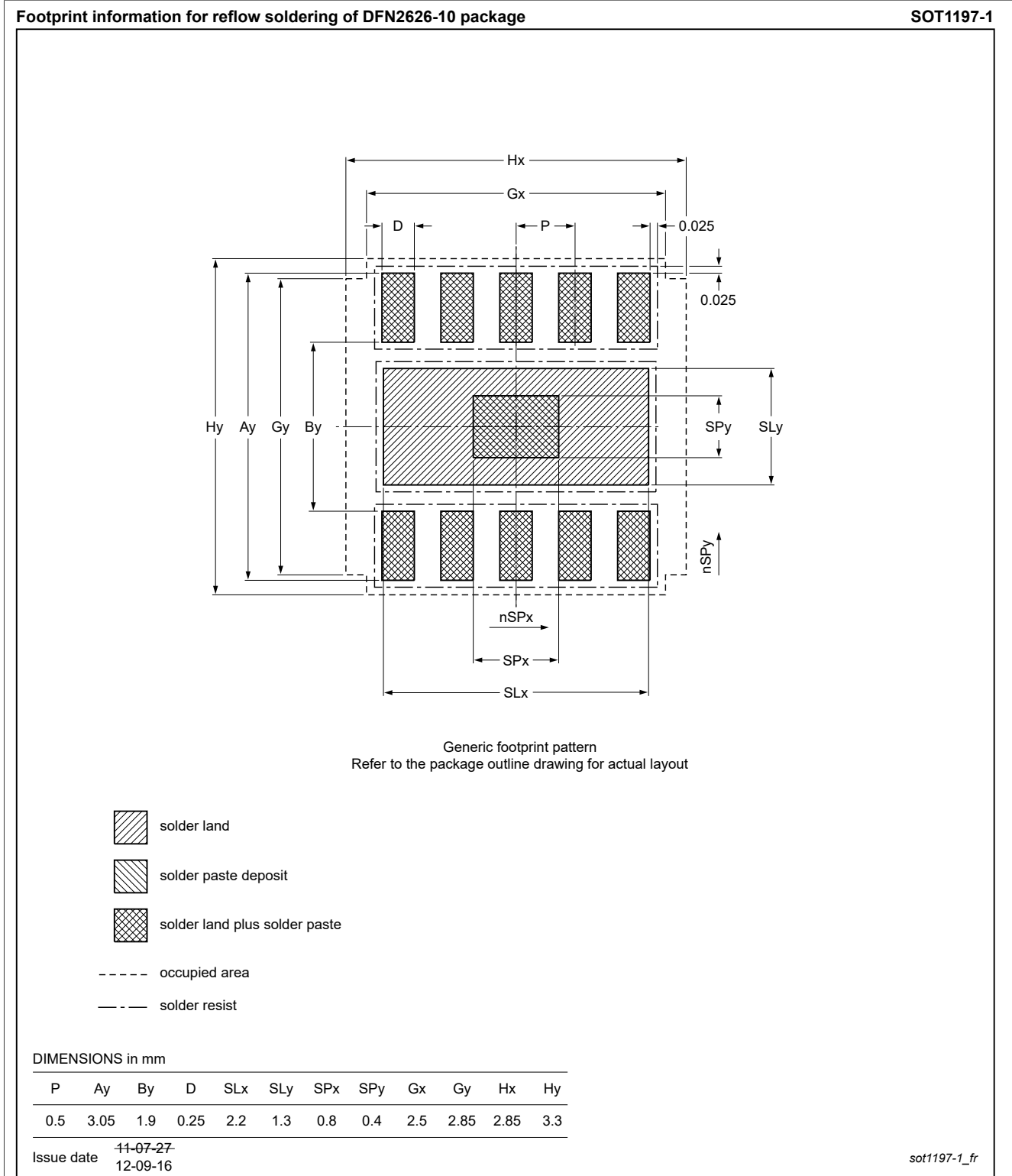
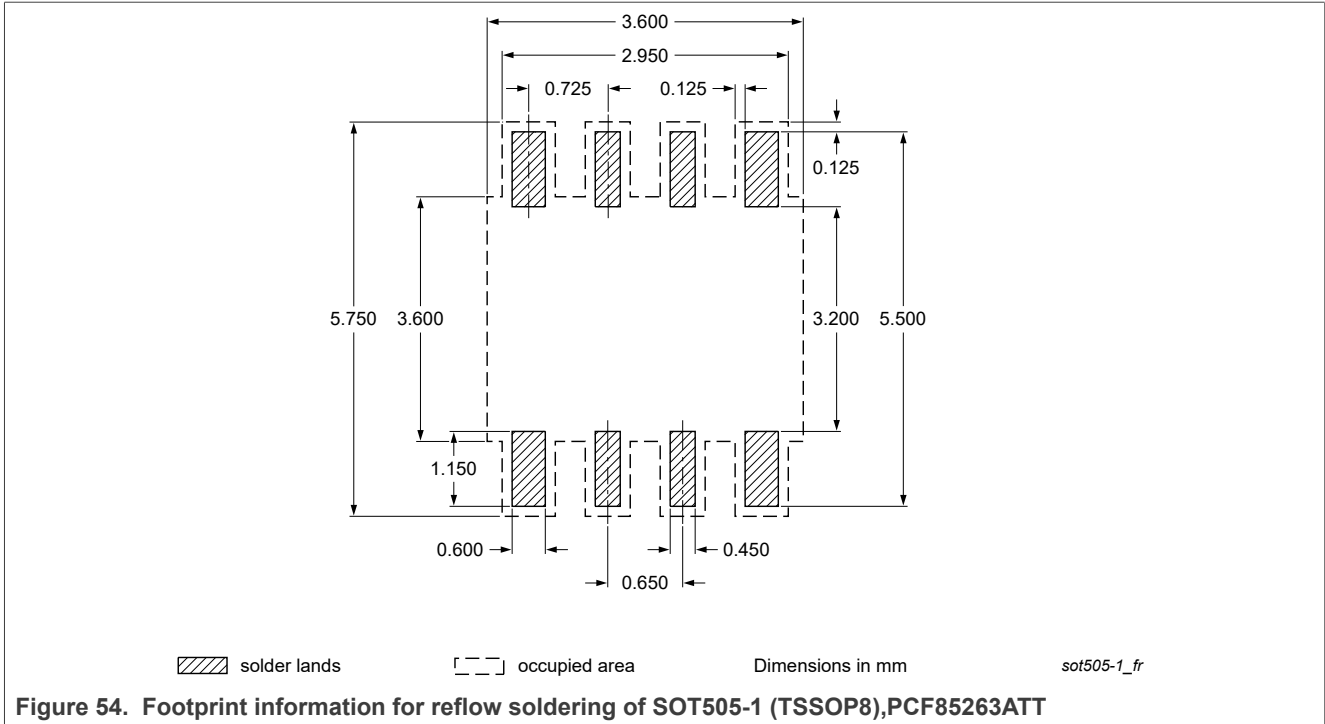


Figure 53. Footprint information for reflow soldering of SOT1197-1 (DFN2626-10),PCF85263ATL



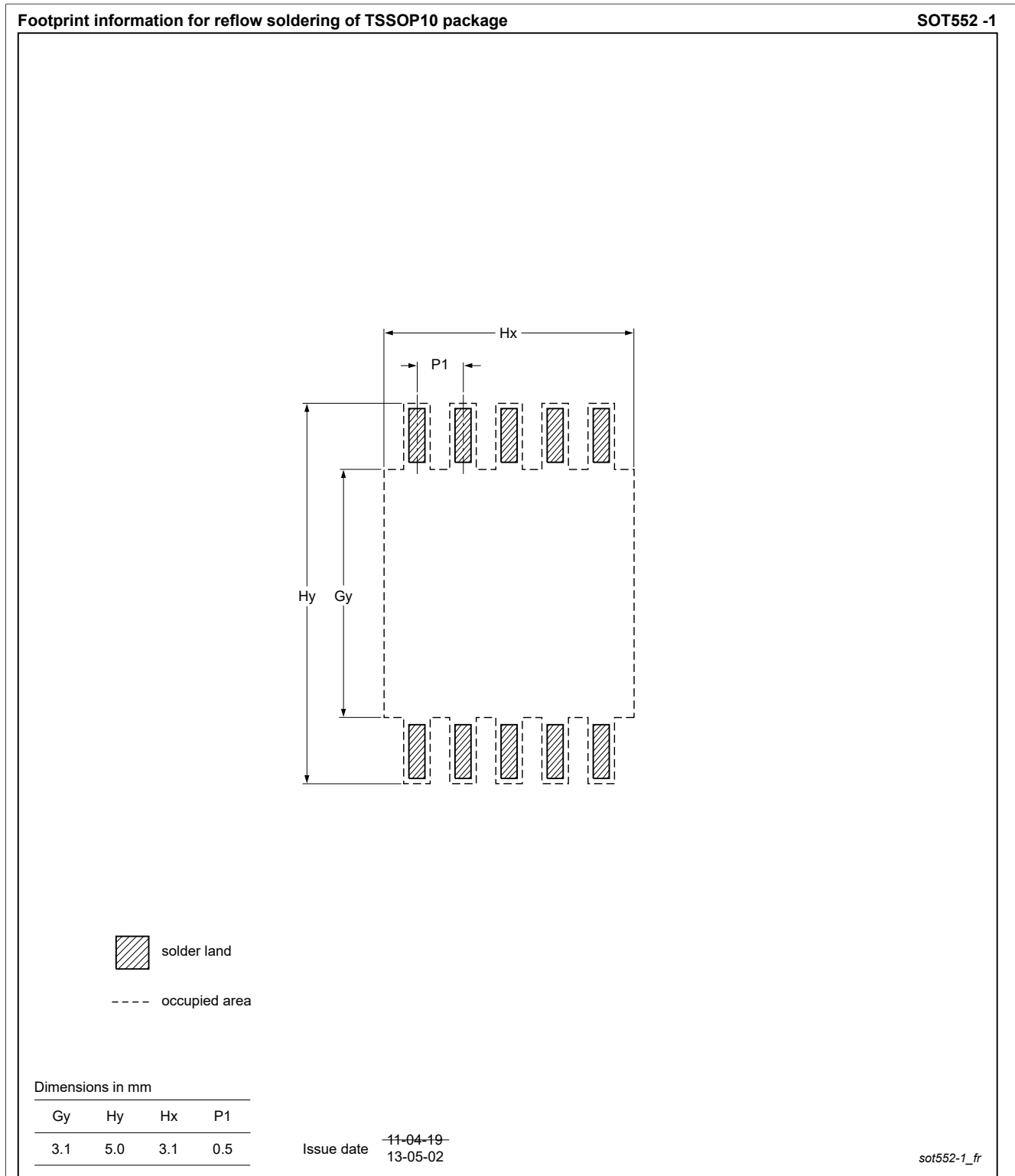


Figure 55. Footprint information for reflow soldering of SOT552-1 (TSSOP10), PCF85263ATT1

22 Appendix

22.1 Real-Time Clock selection

Table 71. Selection of Real-Time Clocks

| Type name | Alarm, Timer, Watchdog | Interrupt output | Interface | I _{DD} , typical (nA) | Battery backup | Timestamp, tamper input | AEC-Q100 compliant | Special features | Packages |
|-----------|------------------------|------------------|--------------------------|--------------------------------|----------------|-------------------------|--------------------|--|----------------------------------|
| PCF8563 | X | 1 | I ² C | 250 | - | - | - | - | SO8, TSSOP8, HVSON10 |
| PCF8564A | X | 1 | I ² C | 250 | - | - | - | integrated oscillator caps | WLCSP |
| PCA8565 | X | 1 | I ² C | 600 | - | - | grade 1 | high robustness, T _{amb} = -40 °C to 125 °C | TSSOP8, HVSON10 |
| PCA8565A | X | 1 | I ² C | 600 | - | - | - | integrated oscillator caps, T _{amb} = -40 °C to 125 °C | WLCSP |
| PCF85063 | - | 1 | I ² C | 220 | - | - | - | basic functions only, no alarm | HXSON8 |
| PCF85063A | X | 1 | I ² C | 220 | - | - | - | tiny package | SO8, DFN2626-10 |
| PCF85063B | X | 1 | SPI | 220 | - | - | - | tiny package | DFN2626-10 |
| PCF85263A | X | 2 | I ² C | 230 | X | X | - | time stamp, battery backup, stopwatch 1/100 s | SO8, TSSOP10, TSSOP8, DFN2626-10 |
| PCF85263B | X | 2 | SPI | 230 | X | X | - | time stamp, battery backup, stopwatch 1/100s | TSSOP10, DFN2626-10 |
| PCF85363A | X | 2 | I ² C | 230 | X | X | - | time stamp, battery backup, stopwatch 1/100s, 64 Byte RAM | TSSOP10, DFN2626-10 |
| PCF85363B | X | 2 | SPI | 230 | X | X | - | time stamp, battery backup, stopwatch 1/100s, 64 Byte RAM | TSSOP10, DFN2626-10 |
| PCF8523 | X | 2 | I ² C | 150 | X | - | - | lowest power 150 nA in operation, FM+ 1 MHz | SO8, HVSON8, TSSOP14, WLCSP |
| PCF2123 | X | 1 | SPI | 100 | - | - | - | lowest power 100 nA in operation | TSSOP14, HVQFN16 |
| PCF2127 | X | 1 | I ² C and SPI | 500 | X | X | - | temperature compensated, quartz built in, calibrated, 512 Byte RAM | SO16 |
| PCF2127A | X | 1 | I ² C and SPI | 500 | X | X | - | temperature compensated, quartz built in, calibrated, 512 Byte RAM | SO20 |
| PCF2129 | X | 1 | I ² C and SPI | 500 | X | X | - | temperature compensated, quartz built in, calibrated | SO16 |
| PCF2129A | X | 1 | I ² C and SPI | 500 | X | X | - | temperature compensated, quartz built in, calibrated | SO20 |
| PCA2129 | X | 1 | I ² C and SPI | 500 | X | X | grade 3 | temperature compensated, quartz built in, calibrated | SO16 |
| PCA21125 | X | 1 | SPI | 820 | - | - | grade 1 | high robustness, T _{amb} = -40 °C to 125 °C | TSSOP14 |

23 Abbreviations

Table 72. Abbreviations

| Acronym | Description |
|------------------|---|
| BCD | Binary Coded Decimal |
| CMOS | Complementary Metal Oxide Semiconductor |
| ESD | ElectroStatic Discharge |
| HBM | Human Body Model |
| I ² C | Inter-Integrated Circuit |
| IC | Integrated Circuit |
| LSB | Least Significant Bit |

Table 72. Abbreviations...continued

| Acronym | Description |
|---------|----------------------------|
| MSB | Most Significant Bit |
| MSL | Moisture Sensitivity Level |
| PCB | Printed-Circuit Board |
| POR | Power-On Reset |
| RTC | Real-Time Clock |
| SCL | Serial CLock line |
| SDA | Serial DAta line |
| SMD | Surface Mount Device |

24 References

- [1] JESD22-A114 Electrostatic Discharge (ESD) Sensitivity Testing Human Body Model (HBM)
- [2] JESD22-C101 Field-Induced Charged-Device Model Test Method for Electrostatic-Discharge-Withstand Thresholds of Microelectronic Components
- [3] JESD78 IC Latch-Up Test
- [4] SOT96-1_118 SO8; Reel pack; SMD, 13", packing information
- [5] SOT505-1_118 TSSOP8; Reel pack; SMD, 13", packing information
- [6] SOT552-1_118 TSSOP10; Reel pack; SMD, 13", packing information
- [7] SOT1197-1_115 DFN2626-10; Reel pack; SMD, 7", packing information
- [8] UM10204 I²C-bus specification and user manual
- [9] UM10569 Store and transport requirements

25 Revision history

Table 73. Revision history

| Document ID | Release date | Data sheet status | Change notice | Supersedes |
|-----------------|---|--------------------|---------------|-----------------|
| PCF85263A v.5.3 | 20231122 | Product data sheet | - | PCF85263A v.5.2 |
| | • Table 67 : Added spec for I _{L(BAT)} battery leakage current | | | |
| PCF85263A v.5.2 | 20210922 | Product data sheet | 202104010DN | PCF85263A v.5.1 |
| PCF85263A v.5.1 | 20210618 | Product data sheet | 202104008A | PCF85263A v.5 |
| PCF85263A v.5 | 20210201 | Product data sheet | - | PCF85263A v.4.1 |
| PCF85263A v.4.1 | 20151127 | Product data sheet | - | PCF85263A v.4 |
| PCF85263A v.4 | 20151118 | Product data sheet | - | PCF85263A v.3 |
| PCF85263A v.3 | 20150116 | Product data sheet | - | PCF85263A v.2 |
| PCF85263A v.2 | 20140710 | Product data sheet | - | PCF85263A v.1 |
| PCF85263A v.1 | 20140418 | Product data sheet | - | - |

Legal information

Data sheet status

| Document status ^{[1][2]} | Product status ^[3] | Definition |
|-----------------------------------|-------------------------------|---|
| Objective [short] data sheet | Development | This document contains data from the objective specification for product development. |
| Preliminary [short] data sheet | Qualification | This document contains data from the preliminary specification. |
| Product [short] data sheet | Production | This document contains the product specification. |

[1] Please consult the most recently issued document before initiating or completing a design.

[2] The term 'short data sheet' is explained in section "Definitions".

[3] The product status of device(s) described in this document may have changed since this document was published and may differ in case of multiple devices. The latest product status information is available on the Internet at URL <https://www.nxp.com>.

Definitions

Draft — A draft status on a document indicates that the content is still under internal review and subject to formal approval, which may result in modifications or additions. NXP Semiconductors does not give any representations or warranties as to the accuracy or completeness of information included in a draft version of a document and shall have no liability for the consequences of use of such information.

Short data sheet — A short data sheet is an extract from a full data sheet with the same product type number(s) and title. A short data sheet is intended for quick reference only and should not be relied upon to contain detailed and full information. For detailed and full information see the relevant full data sheet, which is available on request via the local NXP Semiconductors sales office. In case of any inconsistency or conflict with the short data sheet, the full data sheet shall prevail.

Product specification — The information and data provided in a Product data sheet shall define the specification of the product as agreed between NXP Semiconductors and its customer, unless NXP Semiconductors and customer have explicitly agreed otherwise in writing. In no event however, shall an agreement be valid in which the NXP Semiconductors product is deemed to offer functions and qualities beyond those described in the Product data sheet.

Disclaimers

Limited warranty and liability — Information in this document is believed to be accurate and reliable. However, NXP Semiconductors does not give any representations or warranties, expressed or implied, as to the accuracy or completeness of such information and shall have no liability for the consequences of use of such information. NXP Semiconductors takes no responsibility for the content in this document if provided by an information source outside of NXP Semiconductors.

In no event shall NXP Semiconductors be liable for any indirect, incidental, punitive, special or consequential damages (including - without limitation - lost profits, lost savings, business interruption, costs related to the removal or replacement of any products or rework charges) whether or not such damages are based on tort (including negligence), warranty, breach of contract or any other legal theory.

Notwithstanding any damages that customer might incur for any reason whatsoever, NXP Semiconductors' aggregate and cumulative liability towards customer for the products described herein shall be limited in accordance with the Terms and conditions of commercial sale of NXP Semiconductors.

Right to make changes — NXP Semiconductors reserves the right to make changes to information published in this document, including without limitation specifications and product descriptions, at any time and without notice. This document supersedes and replaces all information supplied prior to the publication hereof.

Suitability for use — NXP Semiconductors products are not designed, authorized or warranted to be suitable for use in life support, life-critical or safety-critical systems or equipment, nor in applications where failure or malfunction of an NXP Semiconductors product can reasonably be expected to result in personal injury, death or severe property or environmental damage. NXP Semiconductors and its suppliers accept no liability for inclusion and/or use of NXP Semiconductors products in such equipment or applications and therefore such inclusion and/or use is at the customer's own risk.

Applications — Applications that are described herein for any of these products are for illustrative purposes only. NXP Semiconductors makes no representation or warranty that such applications will be suitable for the specified use without further testing or modification.

Customers are responsible for the design and operation of their applications and products using NXP Semiconductors products, and NXP Semiconductors accepts no liability for any assistance with applications or customer product design. It is customer's sole responsibility to determine whether the NXP Semiconductors product is suitable and fit for the customer's applications and products planned, as well as for the planned application and use of customer's third party customer(s). Customers should provide appropriate design and operating safeguards to minimize the risks associated with their applications and products.

NXP Semiconductors does not accept any liability related to any default, damage, costs or problem which is based on any weakness or default in the customer's applications or products, or the application or use by customer's third party customer(s). Customer is responsible for doing all necessary testing for the customer's applications and products using NXP Semiconductors products in order to avoid a default of the applications and the products or of the application or use by customer's third party customer(s). NXP does not accept any liability in this respect.

Limiting values — Stress above one or more limiting values (as defined in the Absolute Maximum Ratings System of IEC 60134) will cause permanent damage to the device. Limiting values are stress ratings only and (proper) operation of the device at these or any other conditions above those given in the Recommended operating conditions section (if present) or the Characteristics sections of this document is not warranted. Constant or repeated exposure to limiting values will permanently and irreversibly affect the quality and reliability of the device.

Terms and conditions of commercial sale — NXP Semiconductors products are sold subject to the general terms and conditions of commercial sale, as published at <https://www.nxp.com/profile/terms>, unless otherwise agreed in a valid written individual agreement. In case an individual agreement is concluded only the terms and conditions of the respective agreement shall apply. NXP Semiconductors hereby expressly objects to applying the customer's general terms and conditions with regard to the purchase of NXP Semiconductors products by customer.

No offer to sell or license — Nothing in this document may be interpreted or construed as an offer to sell products that is open for acceptance or the grant, conveyance or implication of any license under any copyrights, patents or other industrial or intellectual property rights.

Tiny RTC/calendar with alarm function, battery switch-over, time stamp input, and I²C-bus

Quick reference data — The Quick reference data is an extract of the product data given in the Limiting values and Characteristics sections of this document, and as such is not complete, exhaustive or legally binding.

Export control — This document as well as the item(s) described herein may be subject to export control regulations. Export might require a prior authorization from competent authorities.

Suitability for use in non-automotive qualified products — Unless this document expressly states that this specific NXP Semiconductors product is automotive qualified, the product is not suitable for automotive use. It is neither qualified nor tested in accordance with automotive testing or application requirements. NXP Semiconductors accepts no liability for inclusion and/or use of non-automotive qualified products in automotive equipment or applications.

In the event that customer uses the product for design-in and use in automotive applications to automotive specifications and standards, customer (a) shall use the product without NXP Semiconductors' warranty of the product for such automotive applications, use and specifications, and (b) whenever customer uses the product for automotive applications beyond NXP Semiconductors' specifications such use shall be solely at customer's own risk, and (c) customer fully indemnifies NXP Semiconductors for any liability, damages or failed product claims resulting from customer design and use of the product for automotive applications beyond NXP Semiconductors' standard warranty and NXP Semiconductors' product specifications.

Translations — A non-English (translated) version of a document, including the legal information in that document, is for reference only. The English version shall prevail in case of any discrepancy between the translated and English versions.

Security — Customer understands that all NXP products may be subject to unidentified vulnerabilities or may support established security standards or specifications with known limitations. Customer is responsible for the design and operation of its applications and products throughout their lifecycles to reduce the effect of these vulnerabilities on customer's applications and products. Customer's responsibility also extends to other open and/or proprietary technologies supported by NXP products for use in customer's applications. NXP accepts no liability for any vulnerability. Customer should regularly check security updates from NXP and follow up appropriately.

Customer shall select products with security features that best meet rules, regulations, and standards of the intended application and make the ultimate design decisions regarding its products and is solely responsible for compliance with all legal, regulatory, and security related requirements concerning its products, regardless of any information or support that may be provided by NXP.

NXP has a Product Security Incident Response Team (PSIRT) (reachable at PSIRT@nxp.com) that manages the investigation, reporting, and solution release to security vulnerabilities of NXP products.

NXP B.V. — NXP B.V. is not an operating company and it does not distribute or sell products.

Trademarks

Notice: All referenced brands, product names, service names, and trademarks are the property of their respective owners.

NXP — wordmark and logo are trademarks of NXP B.V.

I²C-bus — logo is a trademark of NXP B.V.

Tables

| | | | | | |
|----------|--|----|----------|---|----|
| Tab. 1. | Ordering information | 2 | Tab. 37. | BSOFF bit - battery switch control (address 26h) bit description | 39 |
| Tab. 2. | Ordering options | 2 | Tab. 38. | BSRR bit - battery switch control (address 26h) bit description | 39 |
| Tab. 3. | Pin description | 5 | Tab. 39. | BSM[1:0] bits - battery switch control (address 26h) bit description | 40 |
| Tab. 4. | RTC mode time registers | 7 | Tab. 40. | Battery switch-over modes | 40 |
| Tab. 5. | Stop-watch mode time registers | 8 | Tab. 41. | BSTH - battery switch control (address 26h) bit description | 44 |
| Tab. 6. | Control and function registers overview | 9 | Tab. 42. | Pin_IO- pin input output control register (address 27h) bit description | 44 |
| Tab. 7. | Time and date registers in RTC mode (RTCM = 0) | 10 | Tab. 43. | CLKPM bit - Pin_IO control register (address 27h) | 44 |
| Tab. 8. | BCD coding | 11 | Tab. 44. | TSPULL bit - Pin_IO control register (address 27h) | 45 |
| Tab. 9. | Weekday assignments | 12 | Tab. 45. | TSL bit - Pin_IO control register (address 27h) | 45 |
| Tab. 10. | Month assignments in BCD format | 12 | Tab. 46. | TSPM[1:0] bits - Pin_IO control register (address 27h) | 45 |
| Tab. 11. | Time registers in stop-watch mode (RTCM = 1) | 14 | Tab. 47. | TSIM bit - Pin_IO control register (address 27h) | 46 |
| Tab. 12. | Alarm1 and alarm2 registers in RTC mode coded in BCD (RTCM = 0) | 15 | Tab. 48. | INTAPM[1:0] bits - Pin_IO control register (address 27h) | 47 |
| Tab. 13. | Alarm_enables- alarm enable control register (address 10h) bit description | 16 | Tab. 49. | INTA battery mode | 48 |
| Tab. 14. | Alarm1 and alarm2 registers in stop-watch mode coded in BCD (RTCM = 1) | 19 | Tab. 50. | Function - chip function control register (address 28h) bit description | 48 |
| Tab. 15. | Alarm_enables- alarm enable control register (address 10h) bit description | 19 | Tab. 51. | 100TH bit - Function control register (address 28h) | 48 |
| Tab. 16. | WatchDog - WatchDog control and register (address 2Dh) bit description | 22 | Tab. 52. | PI[1:0] bits - Function control register (address 28h) | 48 |
| Tab. 17. | WatchDog durations | 22 | Tab. 53. | RTCM bit - Function control register (address 28h) | 49 |
| Tab. 18. | RAM_byte - 8-bit RAM register (address 2Ch) bit description | 24 | Tab. 54. | RTC time counting modes | 49 |
| Tab. 19. | TSR_mode - timestamp mode control register (address 23h) bit description | 25 | Tab. 55. | STOPM bit - Function control register (address 28h) | 49 |
| Tab. 20. | Timestamp registers in RTC mode (RTCM = 0) | 27 | Tab. 56. | Oscillator stop control when STOPM = 1 | 49 |
| Tab. 21. | Timestamp registers in stop-watch mode (RTCM = 1) | 28 | Tab. 57. | COF[2:0] bits - Function control register (address 28h) | 50 |
| Tab. 22. | Offset - offset register (address 24h) bit description | 29 | Tab. 58. | Clock duty cycles | 50 |
| Tab. 23. | OFFM bit - oscillator control register (address 25h) | 29 | Tab. 59. | Flags - Flag status register (address 2Bh) bit description | 51 |
| Tab. 24. | Offset values | 29 | Tab. 60. | Reset - software reset control (address 2Fh) bit description | 52 |
| Tab. 25. | Correction pulses for OFFM = 0 | 30 | Tab. 61. | Registers reset values | 53 |
| Tab. 26. | Correction pulses for OFFM = 1 | 31 | Tab. 62. | Stop_enable - control of STOP bit (address 2Eh) | 54 |
| Tab. 27. | INTA and INTB interrupt control bits | 33 | Tab. 63. | Counter stop signal | 55 |
| Tab. 28. | Definition of interrupt control bits | 33 | Tab. 64. | I2C target address byte | 59 |
| Tab. 29. | Oscillator - oscillator control register (address 25h) bit description | 37 | Tab. 65. | Application configuration | 60 |
| Tab. 30. | CLKIV bit - oscillator control register (address 25h) | 37 | Tab. 66. | Limiting values | 62 |
| Tab. 31. | 12_24 bit - oscillator control register (address 25h) | 37 | Tab. 67. | Characteristics | 62 |
| Tab. 32. | LOWJ bit - oscillator control register (address 25h) | 37 | Tab. 68. | I2C-bus characteristics | 67 |
| Tab. 33. | OSCD[1:0] bits - oscillator control register (address 25h) | 38 | Tab. 69. | SnPb eutectic process (from J-STD-020D) | 77 |
| Tab. 34. | CL[1:0] bits - oscillator control register (address 25h) | 38 | Tab. 70. | Lead-free process (from J-STD-020D) | 77 |
| Tab. 35. | IO pin behavior in battery mode | 39 | Tab. 71. | Selection of Real-Time Clocks | 82 |
| Tab. 36. | Battery_switch - battery switch control (address 26h) bit description | 39 | Tab. 72. | Abbreviations | 82 |

Tab. 73. Revision history 83

Figures

| | | | |
|----------|---|----------|--|
| Fig. 1. | Block diagram of PCF85263A 3 | Fig. 33. | STOP release timing 55 |
| Fig. 2. | Pin configuration for PCF85263AT (SO8) 4 | Fig. 34. | I2C read and write protocol 56 |
| Fig. 3. | Pin configuration for PCF85263ATL (DFN2626-10) 4 | Fig. 35. | I2C read and write signaling 57 |
| Fig. 4. | Pin configuration for PCF85263ATT (TSSOP8) 4 | Fig. 36. | Application example 59 |
| Fig. 5. | Pin configuration for PCF85263ATT1 (TSSOP10) 5 | Fig. 37. | Application example timing 60 |
| Fig. 6. | Pin configuration for PCF85263AUK (WLCSP12) 5 | Fig. 38. | Device diode protection diagram of PCF85263A 61 |
| Fig. 7. | Address register incrementing 6 | Fig. 39. | Typical IDD with respect to fSCL 65 |
| Fig. 8. | Register map 6 | Fig. 40. | Typical IDD as a function of temperature 65 |
| Fig. 9. | Time mode register set selection 7 | Fig. 41. | Typical IDD with respect to VDD 66 |
| Fig. 10. | OS status bit 11 | Fig. 42. | Oscillator frequency variation with respect to VDD 67 |
| Fig. 11. | Data flow for the time function 13 | Fig. 43. | I2C-bus timing diagram; rise and fall times refer to 30 % and 70 % 68 |
| Fig. 12. | Data flow for the stop-watch function 15 | Fig. 44. | Application diagram for PCF85263A 69 |
| Fig. 13. | Alarm1 and alarm2 function block diagram (RTC mode) 18 | Fig. 45. | Package outline SOT96-1 (SO8), PCF85263AT 70 |
| Fig. 14. | Alarm1 and alarm2 function block diagram (stop-watch mode) 21 | Fig. 46. | Package outline SOT1197-1 (DFN2626-10), PCF85263ATL 71 |
| Fig. 15. | WatchDog repeat mode 23 | Fig. 47. | Package outline SOT505-1 (TSSOP8), PCF85263ATT 72 |
| Fig. 16. | WatchDog single shot mode 24 | Fig. 48. | Package outline SOT552-1 (TSSOP10), PCF85263ATT1 73 |
| Fig. 17. | Timestamp 25 | Fig. 49. | Package outline SOT2035-1 (WLCSP12), PCF85263AUK 1 of 2 74 |
| Fig. 18. | Example battery switch-over timestamp 26 | Fig. 50. | Package outline SOT2035-1 (WLCSP12), PCF85263AUK 2 of 2 75 |
| Fig. 19. | Example TS pin driven timestamp 27 | Fig. 51. | Temperature profiles for large and small components 78 |
| Fig. 20. | Offset calibration calculation workflow 32 | Fig. 52. | Footprint information for reflow soldering of SOT96-1 (SO8), PCF85263AT 78 |
| Fig. 21. | Result of offset calibration 32 | Fig. 53. | Footprint information for reflow soldering of SOT1197-1 (DFN2626-10), PCF85263ATL 79 |
| Fig. 22. | Interrupt pulse width 35 | Fig. 54. | Footprint information for reflow soldering of SOT505-1 (TSSOP8), PCF85263ATT 80 |
| Fig. 23. | Interrupt selection 36 | Fig. 55. | Footprint information for reflow soldering of SOT552-1 (TSSOP10), PCF85263ATT1 81 |
| Fig. 24. | Threshold voltage switching hysteresis 41 | | |
| Fig. 25. | Switching at Vth 41 | | |
| Fig. 26. | Switching at VBAT 42 | | |
| Fig. 27. | Switching at the higher of VBAT or Vth 43 | | |
| Fig. 28. | Switching at the lower of VBAT or Vth 43 | | |
| Fig. 29. | TS pin 46 | | |
| Fig. 30. | INTA pin 47 | | |
| Fig. 31. | Software reset command 52 | | |
| Fig. 32. | CPR and STOP bit functional diagram 55 | | |

Contents



| | | | | | |
|----------|---|----------|-----------|---|-----------|
| 1 | General description | 1 | 7.10 | Oscillator register | 37 |
| 2 | Features and benefits | 1 | 7.10.1 | CLKIV: invert the clock output | 37 |
| 3 | Applications | 1 | 7.10.2 | OFFM: offset calibration mode | 37 |
| 4 | Ordering information | 2 | 7.10.3 | 12_24: 12 hour or 24 hour clock | 37 |
| 4.1 | Ordering options | 2 | 7.10.4 | LOWJ: low jitter mode | 37 |
| 5 | Block diagram | 3 | 7.10.5 | OSCD[1:0]: quartz oscillator drive control | 38 |
| 6 | Pinning information | 4 | 7.10.6 | CL[1:0]: quartz oscillator load capacitance | 38 |
| 6.1 | Pinning | 4 | 7.11 | Battery switch register | 38 |
| 6.2 | Pin description | 5 | 7.11.1 | BSOFF: battery switch on/off control | 39 |
| 7 | Functional description | 6 | 7.11.2 | BSRR: battery switch internal refresh rate | 39 |
| 7.1 | Registers organization overview | 7 | 7.11.3 | BSM[1:0]: battery switch mode | 40 |
| 7.1.1 | Time mode registers | 7 | 7.11.3.1 | Switching at the Vth level, BSM[1:0] = 00 | 41 |
| 7.1.1.1 | RTC mode time registers overview (RTCM = 0) | 7 | 7.11.3.2 | Switching at the VBAT level, BSM[1:0] = 01 | 42 |
| 7.1.1.2 | Stop-watch mode time registers (RTCM = 1) | 7 | 7.11.3.3 | Switching at the higher of VBAT or Vth level, BSM[1:0] = 10 | 42 |
| 7.1.2 | Control registers overview | 8 | 7.11.3.4 | Switching at the lower of VBAT and Vth level, BSM[1:0] = 11 | 43 |
| 7.2 | RTC mode time and date registers | 10 | 7.11.4 | BSTH: threshold voltage control | 44 |
| 7.2.1 | Definition of BCD | 10 | 7.11.5 | Battery switch interrupts | 44 |
| 7.2.2 | OS: Oscillator stop | 11 | 7.12 | Pin_IO register | 44 |
| 7.2.3 | EMON: event monitor | 11 | 7.12.1 | CLKPM: CLK pin mode control | 44 |
| 7.2.4 | Definition of weekdays | 12 | 7.12.2 | TSPULL: TS pin pull-up resistor value | 45 |
| 7.2.5 | Definition of months | 12 | 7.12.3 | TSL: TS pin level sense | 45 |
| 7.2.6 | Setting and reading the time in RTC mode | 12 | 7.12.4 | TSPM[1:0]: TS pin I/O control | 45 |
| 7.3 | Stop-watch mode time registers | 14 | 7.12.4.1 | TS pin output mode; INTB | 46 |
| 7.3.1 | Setting and reading the time in stop-watch mode | 14 | 7.12.4.2 | TS pin output mode; CLK | 46 |
| 7.4 | Alarms | 15 | 7.12.4.3 | TS pin disabled | 46 |
| 7.4.1 | Alarms in RTC mode | 15 | 7.12.5 | TSIM: TS pin input type control | 46 |
| 7.4.1.1 | Alarm1 and alarm2 registers in RTC mode | 15 | 7.12.5.1 | TS pin input mode | 47 |
| 7.4.1.2 | Alarm1 and alarm2 control in RTC mode | 16 | 7.12.6 | INTAPM[1:0]: INTA pin mode control | 47 |
| 7.4.1.3 | Alarm1 and alarm2 function in RTC mode | 17 | 7.12.6.1 | INTAPM[1:0]: INTA | 47 |
| 7.4.2 | Alarms in stop-watch mode | 18 | 7.12.6.2 | INTAPM[1:0]: clock data | 47 |
| 7.4.2.1 | Alarm1 and alarm2 registers in stop-watch mode | 19 | 7.12.6.3 | INTAPM[1:0]: battery mode indication | 48 |
| 7.4.2.2 | Alarm1 and alarm2 control in stop-watch mode | 19 | 7.13 | Function register | 48 |
| 7.4.2.3 | Alarm1 and alarm2 function in stop-watch mode | 20 | 7.13.1 | 100TH: 100th seconds mode | 48 |
| 7.4.3 | Alarm interrupts | 21 | 7.13.2 | PI[1:0]: Periodic interrupt | 48 |
| 7.5 | WatchDog | 22 | 7.13.3 | RTCM: RTC mode | 49 |
| 7.5.1 | WatchDog functions | 22 | 7.13.4 | STOPM: STOP mode control | 49 |
| 7.5.1.1 | WatchDog repeat mode | 23 | 7.13.5 | COF[2:0]: Clock output frequency | 50 |
| 7.5.1.2 | WatchDog single shot mode | 23 | 7.14 | Flags register | 51 |
| 7.5.1.3 | WatchDog interrupts | 24 | 7.15 | Reset register | 52 |
| 7.6 | RAM byte | 24 | 7.15.1 | SR - Software reset | 52 |
| 7.7 | Timestamps | 24 | 7.15.2 | CPR: clear prescaler | 54 |
| 7.7.1 | Timestamps interrupts | 29 | 7.15.3 | CTS: clear timestamp | 54 |
| 7.8 | Offset register | 29 | 7.16 | Stop_enable register | 54 |
| 7.8.1 | Correction when OFFM = 0 | 30 | 8 | I²C-bus interface | 56 |
| 7.8.2 | Correction when OFFM = 1 | 31 | 8.1 | Bit transfer | 57 |
| 7.8.3 | Offset calibration workflow | 31 | 8.2 | START and STOP conditions | 57 |
| 7.8.4 | Offset interrupts | 33 | 8.3 | Acknowledge | 57 |
| 7.9 | Interrupts | 33 | 9 | Interface protocol | 57 |
| 7.9.1 | ILPA/ILPB: interrupt level or pulse mode | 34 | 9.1 | Write protocol | 58 |
| 7.9.2 | Interrupt enable bits | 35 | 9.2 | Read protocol | 58 |
| | | | 9.3 | Target addressing | 58 |
| | | | 9.3.1 | Target address | 58 |
| | | | 10 | Application design-in information | 59 |
| | | | 11 | Internal circuitry | 61 |

| | | |
|------|--|----|
| 12 | Safety notes | 61 |
| 13 | Limiting values | 62 |
| 14 | Characteristics | 62 |
| 15 | Application information | 69 |
| 16 | Test information | 69 |
| 16.1 | Quality information | 69 |
| 17 | Package outline | 70 |
| 18 | Handling information | 76 |
| 19 | Packing information | 76 |
| 20 | Soldering of SMD packages | 76 |
| 20.1 | Introduction to soldering | |
| 20.2 | Wave and reflow soldering | |
| 20.3 | Wave soldering | |
| 20.4 | Reflow soldering | |
| 21 | Footprint information | 78 |
| 22 | Appendix | 82 |
| 22.1 | Real-Time Clock selection | 82 |
| 23 | Abbreviations | 82 |
| 24 | References | 83 |
| 25 | Revision history | 83 |
| | Legal information | 84 |







Please be aware that important notices concerning this document and the product(s) described herein, have been included in section 'Legal information'.

Looking for pricing, stock, or lifecycle information?

Click below to explore more details on WIN SOURCE:

-  [View PCF85263ATL/AX on WIN SOURCE](#)
-  [NXP / Nexperia Information](#)

Optimize Your Supply Chain with WIN SOURCE Solutions

-  Global Sourcing Solution
-  Obsolete Management
-  Cost Control Management
-  Shortage Management
-  Alternative Solution
-  Excess Inventory Management