



THE DATASHEET OF PAM2841SR



Description

The PAM2841 is a white LED driver, capable of driving 10 or more WLEDs in series (depending on forward voltage of the LEDs) with a range of input voltages from 2.7V to 5.5V.

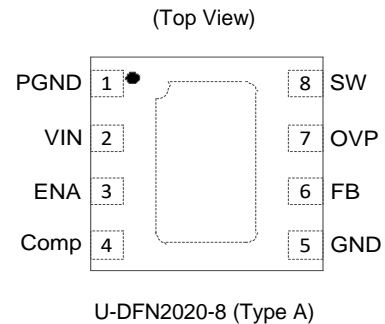
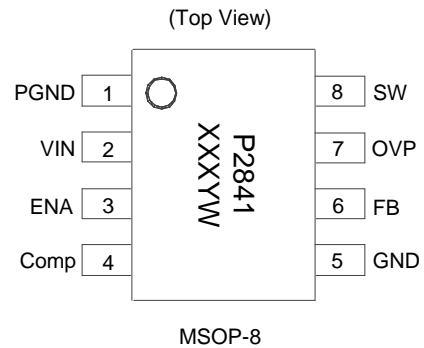
The PAM2841 features overcurrent protection, overvoltage protection, undervoltage lockout and overtemperature protection, which prevent the device from damage.

LED dimming can be done by four methods as described in the *Application Information* hereinafter.

Features

- Capable of Driving 10 or More WLEDs
- Chip-Enable with Soft-Start
- Analog and PWM Dimming
- Peak Efficiency Up to 90%
- Low Quiescent Current
- Fixed Frequency of 1MHz
- Overcurrent Protection
- Overvoltage Protection
- Thermal Protection
- UVLO
- **Totally Lead-Free & Fully RoHS Compliant (Notes 1 & 2)**
- **Halogen and Antimony Free. "Green" Device (Note 3)**
- **For automotive applications requiring specific change control (i.e. parts qualified to AEC-Q100/101/104/200, PPAP capable, and manufactured in IATF 16949 certified facilities), please [contact us](mailto:contact@diodes.com) or your local Diodes representative. <https://www.diodes.com/quality/product-definitions/>**

Pin Assignments

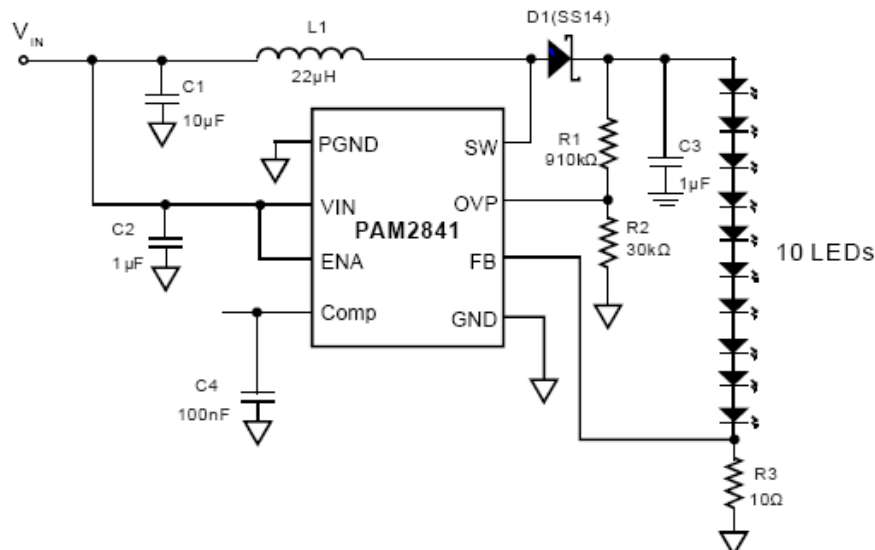


Applications

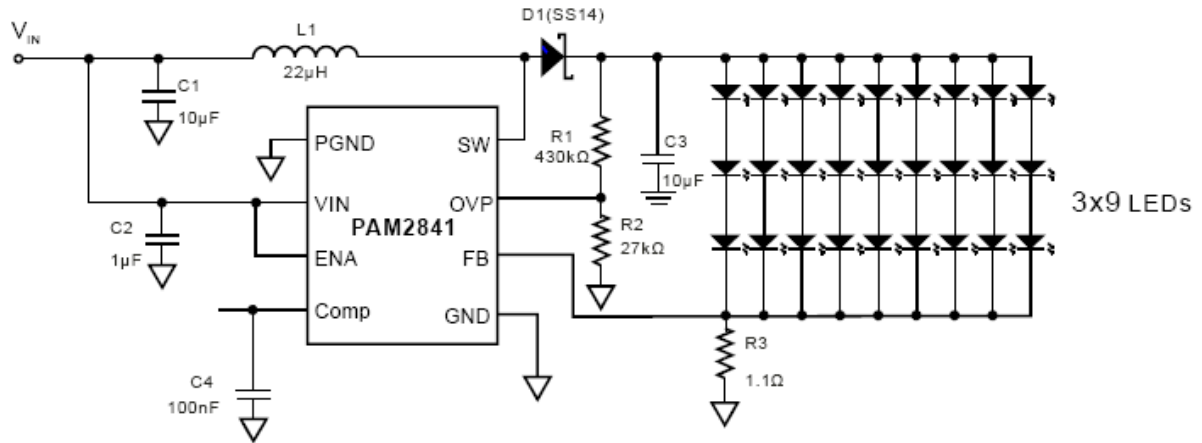
- WLED driver systems

- Notes:
1. No purposely added lead. Fully EU Directive 2002/95/EC (RoHS), 2011/65/EU (RoHS 2) & 2015/863/EU (RoHS 3) compliant.
 2. See <https://www.diodes.com/quality/lead-free/> for more information about Diodes Incorporated's definitions of Halogen- and Antimony-free, "Green" and Lead-free.
 3. Halogen- and Antimony-free "Green" products are defined as those which contain <900ppm bromine, <900ppm chlorine (<1500ppm total Br + Cl) and <1000ppm antimony compounds.

Typical Applications Circuit



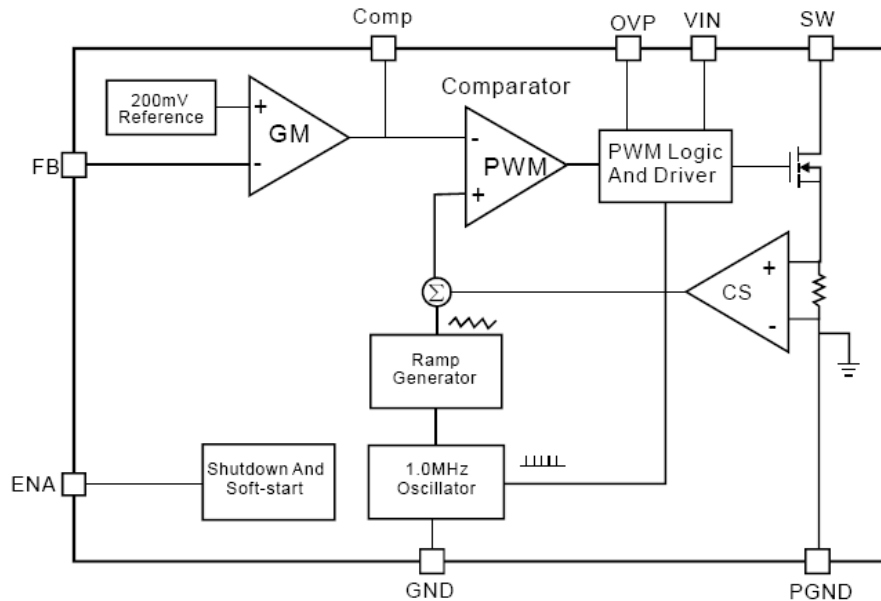
Typical Applications Circuit (continued)



Pin Descriptions

Pin Number	Pin Name	Function
1	PGND	Power Ground
2	VIN	Input Voltage
3	ENA	Chip-Enable, Active-High
4	Comp	Compensation Node
5	GND	Chip Ground
6	FB	Feedback
7	OVP	Overvoltage
8	SW	Drain of Main Switch

Functional Block Diagram



Absolute Maximum Ratings (@T_A = +25°C, unless otherwise specified.)

These are stress ratings only and functional operation is not implied. Exposure to *Absolute Maximum Ratings* for prolonged time periods can affect device reliability. All voltages are with respect to ground.

Parameter	Rating	Unit
Supply Voltage	6.0	V
I/O Pins Voltage Range	GND - 0.3 to V _{DD} + 0.3	
Maximum SW Pin Voltage	40	
Storage Temperature	-65 to +170	°C
Maximum Junction Temperature	+170	
Soldering Temperature	+300, 5sec	

Recommended Operating Conditions (@T_A = +25°C, unless otherwise specified.)

Parameter	Rating	Unit
Supply-Voltage Range	2.8 to 5.5	V
Operation Temperature Range	-40 to +85	°C
Junction Temperature Range	-40 to +150	

Thermal Information

Parameter	Package	Symbol	Max	Unit
Thermal Resistance (Junction to Ambient)	MSOP-8	θ _{JA}	180	°C/W
	U-DFN2020-8 (Type A)		80	
Thermal Resistance (Junction to Case)	MSOP-8	θ _{JC}	75	
	U-DFN2020-8 (Type A)		30	

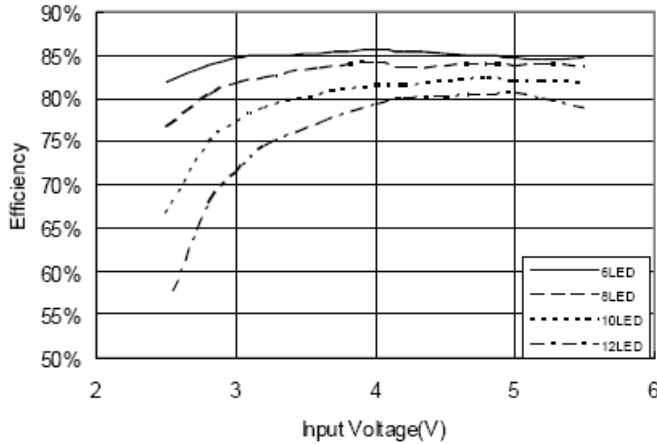
Electrical Characteristics (@ $T_A = +25^\circ\text{C}$, $V_{EN} = V_{DD} = 5.0\text{V}$, 10 LEDs, unless otherwise specified.)

Symbol	Parameter	Test Conditions	Min	Typ	Max	Unit
V_{DD}	Supply-Voltage Range	—	2.7	—	5.5	V
I_Q	Quiescent Current	No Switching	—	200	300	μA
I_{SD}	Shutdown Current	$V_{ENA} = \text{Low}$	—	—	1	μA
I_O	Output Current	$R_3 = 5.1\Omega$	—	40	—	mA
		$R_3 = 6.8\Omega$	—	30	—	
		$R_3 = 10\Omega$	—	20	—	
		$R_3 = 20\Omega$	—	10	—	
V_O	Output-Voltage Range	—	$V_{IN} \times 1.1$	—	40	V
V_{FB}	Feedback Voltage	$V_{ENA} = \text{High}$	194	200	206	mV
$R_{DS(ON)}$	SW On-Resistance	$I_{SW} = 100\text{mA}$	—	0.35	0.5	Ω
I_{LIM}	SW Current Limit	Switch On	—	1.5	—	A
f_{SW}	SW Frequency	—	0.7	1.0	1.3	MHz
DC	Maximum Duty Cycle	—	—	95	—	%
OVP	Overvoltage Protection Threshold	Open Load	—	1.2	—	V
V_{EL}	Enable Threshold Voltage	Chip Shutdown	—	—	0.4	V
V_{EH}		Chip On	1.2	—	—	
UVLO	Undervoltage Lockout	V_{IN} Falling	2.0	2.2	2.4	V
V_{TH}	UVLO Hysteresis	—	—	0.2	—	V
OTS	Overtemperature Shutdown	—	—	+150	—	$^\circ\text{C}$
OTH	Overtemperature Hysteresis	—	—	+30	—	$^\circ\text{C}$

Typical Performance Characteristics (@T_A = +25°C, V_{DD} = 5V, unless otherwise specified.)

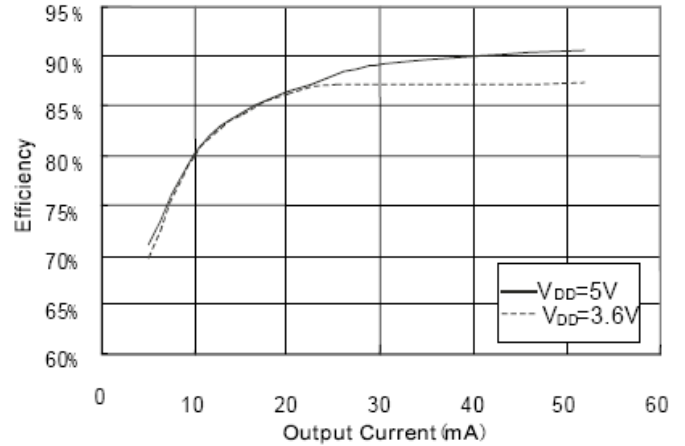
1. Efficiency VS Input Voltage

I_{LED} = 20mA, L = 22μH



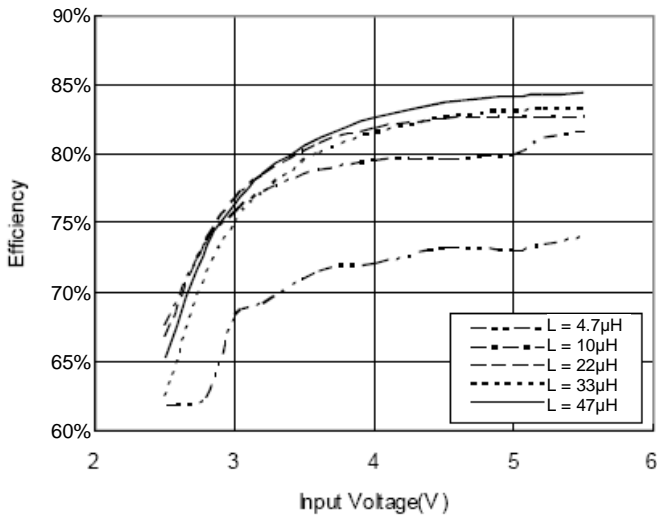
2. Efficiency VS Load Current

6 LED, L = 22μH



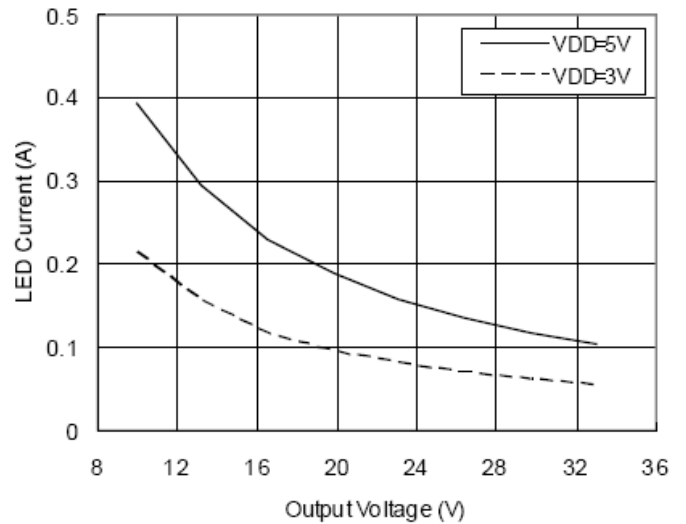
3. Efficiency VS Input Voltage

I_{LED} = 20mA, 10 LED



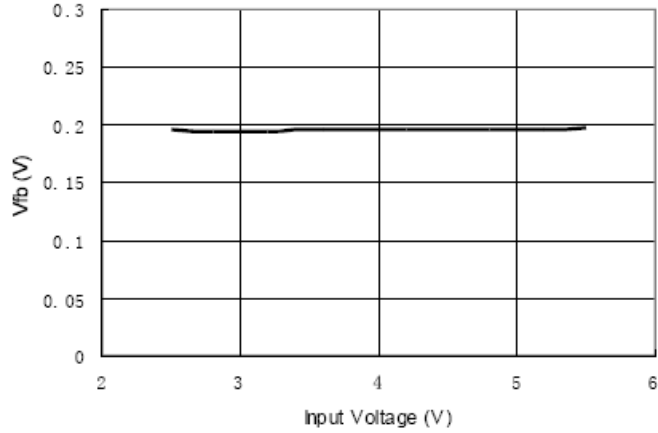
4. LED Current VS Output Voltage

L = 47μH

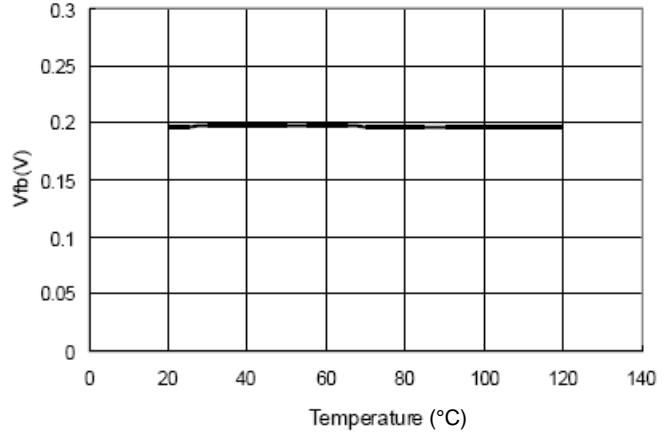


Typical Performance Characteristics (continued) (@T_A = +25°C, V_{DD} = 5V, unless otherwise specified.)

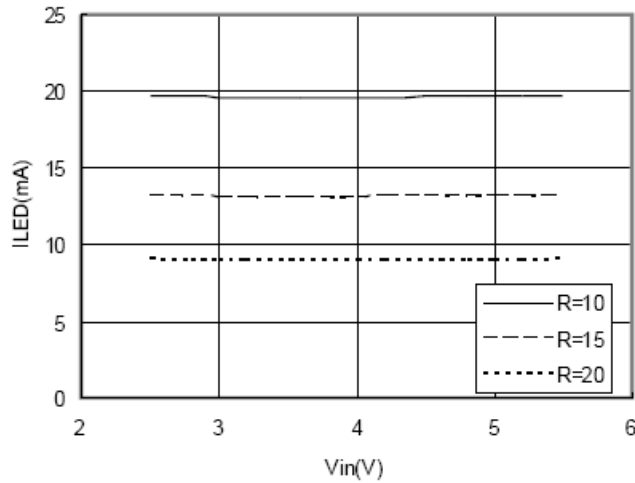
5. Feedback Voltage VS Input voltage
10 LED, I_{LED}=20mA



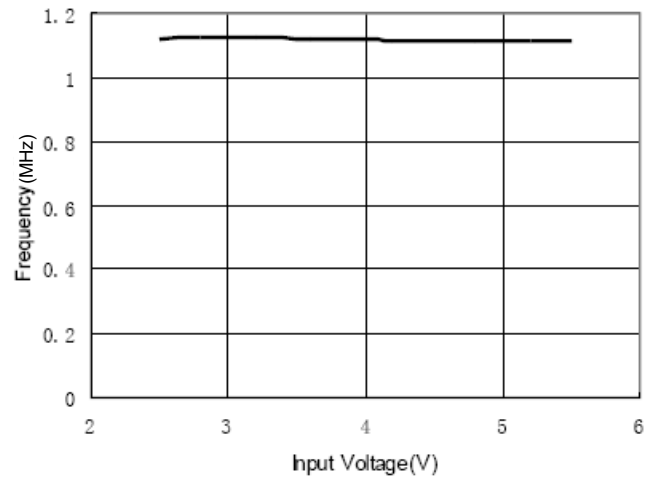
6. Feedback Voltage VS Temperature
10 LED, I_{LED}=20mA



7. LED current VS Input voltage
L=22μH, 10 LED

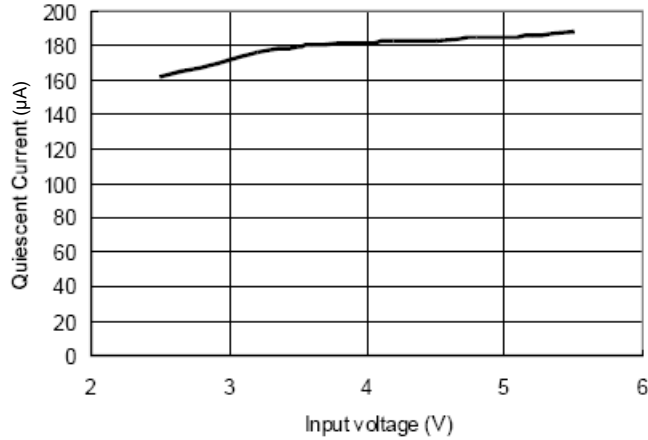


8. Frequency VS Input Voltage
10 LED

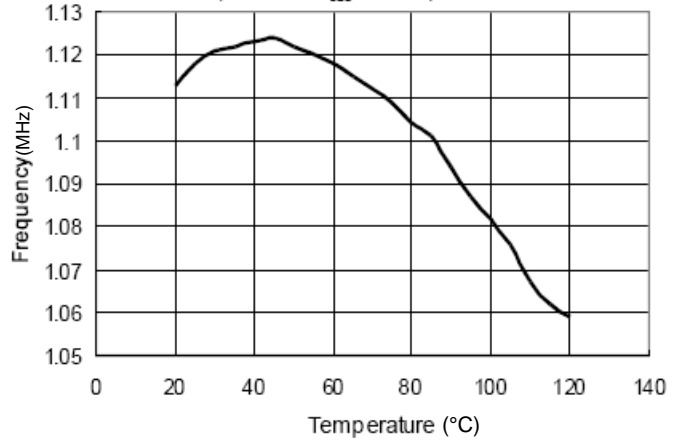


Typical Performance Characteristics (continued) (@T_A = +25°C, V_{DD} = 5V, unless otherwise specified.)

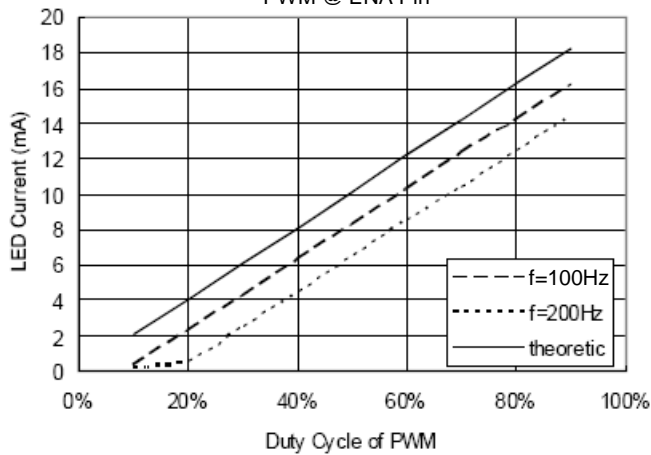
9. Quiescent Current VS Input Voltage



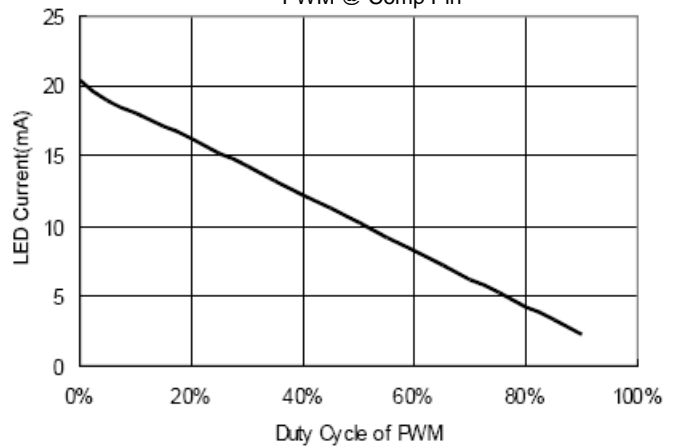
10. Frequency VS Temperature
(10 LED, I_{LED}=20mA)



11. LED Current VS Duty Cycle of PWM
PWM @ ENA Pin

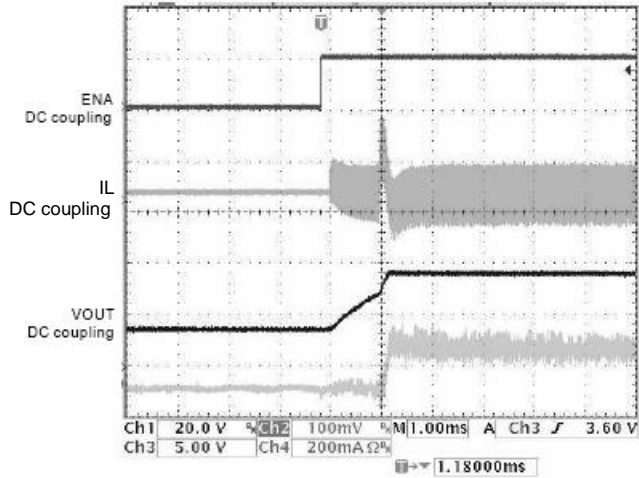


12. LED Current VS Duty Cycle of PWM
PWM @ Comp Pin

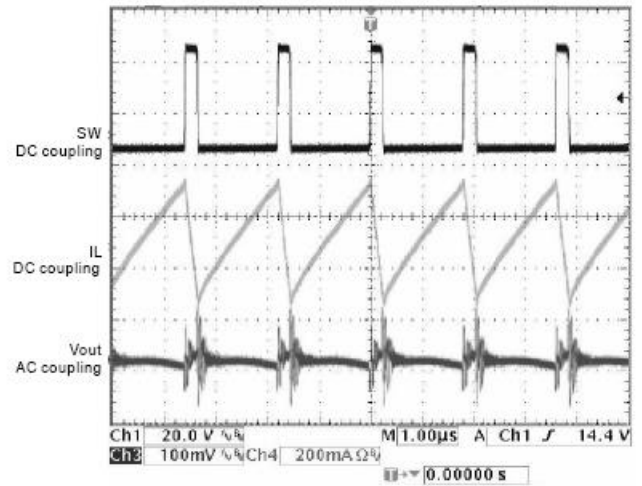


Typical Performance Characteristics (continued) (@T_A = +25°C, V_{DD} = 5V, unless otherwise specified.)

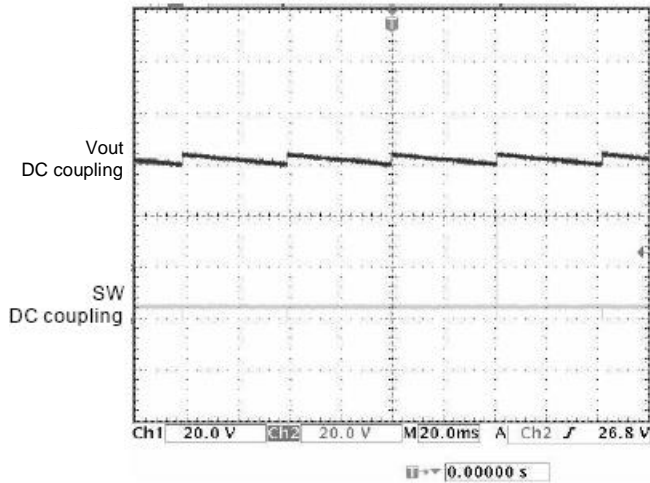
13. Startup Waveform
Vin=5V, 10LED, I_{led}=20mA



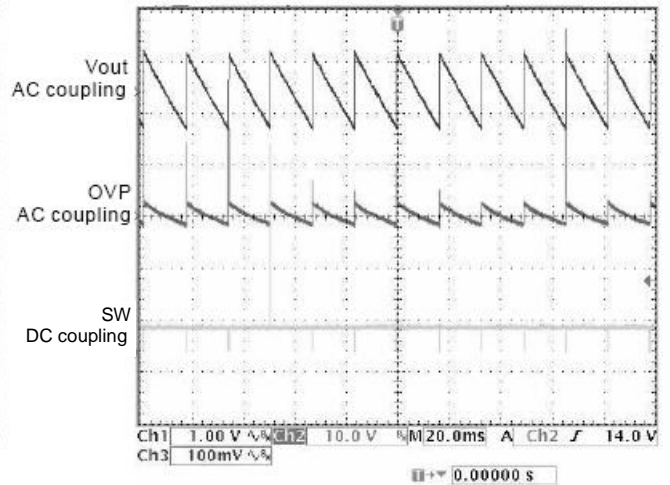
14. Steady-State Waveform
Vin=5V, 10LED, I_{led}=20mA



15. Open load



16. Open load



Application Information

Inductor Selection

The selection of the inductor affects steady-state operation as well as transient behavior and loop stability. These factors make it the most important component in power regulator design. There are three important inductor specifications: inductor value, DC resistance and saturation current. Considering inductor value alone is not enough.

The inductor value determines the inductor ripple current. Choose an inductor that can handle the necessary peak current without saturation, the inductor DC current given by:

$$I_{IN_DC} = V_{OUT} \cdot I_{OUT} / (V_{IN} \cdot \eta), \quad \eta = \text{efficiency.}$$

Inductor values can have $\pm 20\%$ tolerance with no current bias. When the inductor current approaches saturation level, its inductance can decrease 20% to 35% from the 0A value depending on how the inductor vendor defines saturation current. Using an inductor with a smaller inductance value causes discontinuous PWM (pulse-width modulation) when the inductor current ramps down to zero before the end of each switching cycle. This reduces the boost converter's maximum output current, causes large input-voltage ripple and reduces efficiency. Large inductance value provides much more output current and higher conversion efficiency. For these reasons, an inductor within 4.7 μ H to 22 μ H value range is recommended.

Schottky Diode Selection

The high switching frequency of the PAM2841 demands a high-speed rectification for optimum efficiency. Ensure that the diode average and peak current rating exceeds the average output current and peak inductor current. In addition, the diode's reverse breakdown voltage must exceed the open protection voltage.

Input and Output Capacitor Selection

Input Capacitor

At least a 1 μ F input capacitor is recommended to reduce the input ripple and switching noise for normal operating conditions. Larger value and lower ESR (equivalent series resistance) may be needed if the application require very low input ripple. It follows that ceramic capacitors are a good choice for applications. Note that the input capacitor should be located as close as possible to the device.

Output Capacitor

The output capacitor is mainly selected to meet the requirement for the output ripple and loop stability. This ripple voltage is related to the capacitor's capacitance and its equivalent series resistance (ESR). An output capacitor of 1 μ F minimum is recommended and maybe need a larger capacitor. The total output-voltage ripple has two components: the capacitive ripple caused by the charging and discharging on the output capacitor, and the ohmic ripple due to the capacitor's equivalent series resistance (ESR):

$$\begin{aligned} V_{RIPPLE} &= V_{RIPPLE(C)} + V_{RIPPLE(ESR)} \\ V_{RIPPLE(C)} &\approx \frac{1}{2} \cdot (L / C_{OUT}) \cdot ((V_{OUT(MAX)} - V_{IN(MIN)})) \cdot (I_{PEAK}^2 - I_{OUT}^2) \\ V_{RIPPLE(ESR)} &= I_{PEAK} \cdot R_{ESR(COUT)} \end{aligned}$$

Where I_{PEAK} is the peak inductor current.

Multilayer ceramic capacitors are an excellent choice as they have extremely low ESR and are available in small footprints. Capacitance and ESR variation with temperature should be considered for best performance in applications with wide operating temperature ranges.

Dimming Control

There are 4 different types of dimming control methods:

1. Using an External PWM Signal to ENA Pin

With the PWM signal applied to the ENA pin, the PAM2841 is alternately turned on or off by the PWM signal. The LEDs operate at either zero or full current. The average LED current changes proportionally with the duty cycle of the PWM signal. A 0% duty cycle turns off the PAM2841 and leads to zero LED current. A 100% duty cycle generates full current. Also the recommended dimming frequency is between 100Hz and 200Hz.

$$I_{AVE} = I_{STATE} \cdot (t_{ON} - t_{STARTUP}) / (t_{ON} + t_{OFF})$$

Where t_{ON} : on-time of a period

$t_{STARTUP}$: 0.85ms

t_{OFF} : off-time of a period

I_{STATE} : on-state current (full current)

Application Information (continued)

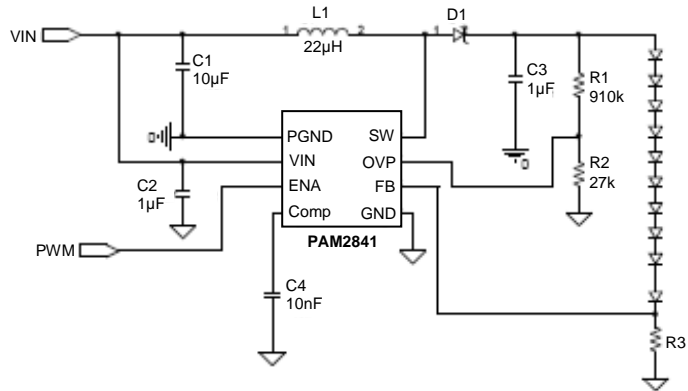


Figure 1

2. Using an External PWM Signal to nMOS Gate

When PWM signal is at high level, N MOSFET turned on, then pull Comp pin down, then the LED current should be zero. When PWM signal is at low level, N MOSFET turned off. The circuit uses resistor R1 to set the on-state current. The average LED current changes proportionally with the duty cycle of the PWM signal. A 100% duty cycle turns off the PAM2841 and leads to zero LED current. A 0% duty cycle generates full current.

$$I_{AVE} = I_{STATE} * (t_{ON} - t_{STARTUP}) / (t_{ON} + t_{OFF})$$

Where t_{ON} : on-time of a period

$t_{STARTUP}$: 0.08ms

t_{OFF} : off-time of a period

I_{STATE} : on-state current (full current)

Also the recommended frequency is between 100Hz and 500Hz. Frequency < 100Hz can naturally cause LEDs to blink visibly.

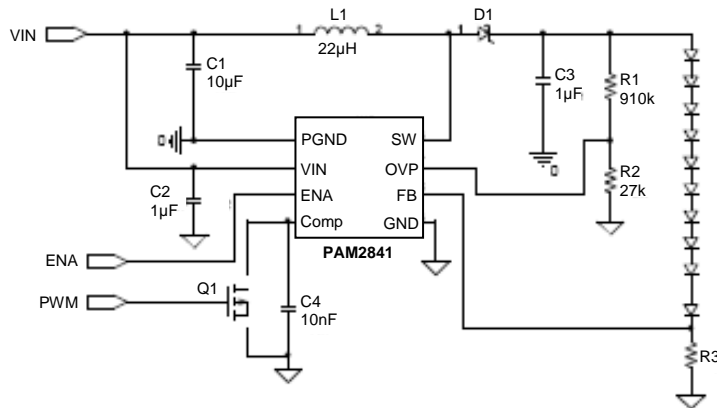


Figure 2

3. Using a DC Voltage

For some applications, a simple and direct way to control brightness is using an external variable DC voltage to vary the voltage drop on feedback resistor. This will make the PAM2841 adjust the output current to follow the change of feedback voltage. The circuit is shown in Figure 3. As the DC voltage increases, the voltage drop on R4 increases and the voltage drop on R3 decreases. Thus, the LED current decreases. The selection of R4 and R5 will make the current from the variable DC source much smaller than the LED current and much larger than the FB pin current. For VCC range from 0V to 2V, the selection of resistors in Figure 3 gives dimming control of LED current from 0mA to 20mA.

Application Information (continued)

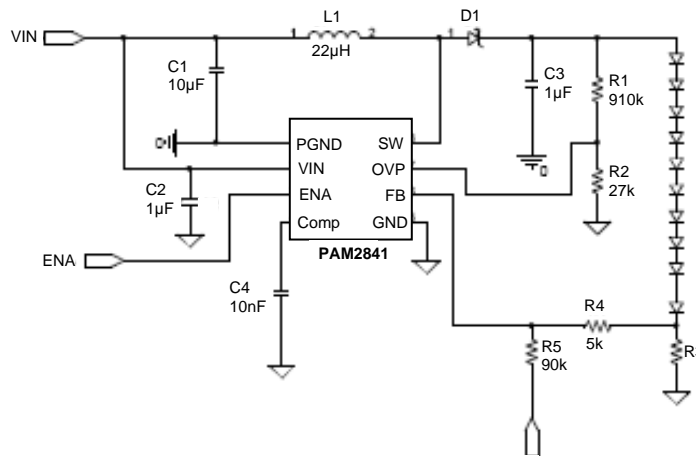


Figure 3

4. Using a Filtered PWM Signal

The filtered PWM signal can be considered as an adjustable DC voltage. Such regulated signal is often with some grade of ripple because of some simple configuration of circuit. With appropriated arrangement of PWM frequency and level, and filter parameters, it can be used to replace the variable DC voltage source in dimming control.

The circuit is shown in Figure 4.

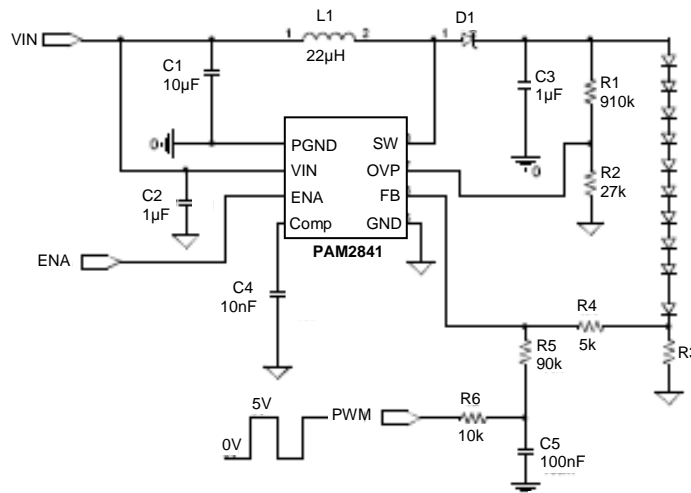


Figure 4

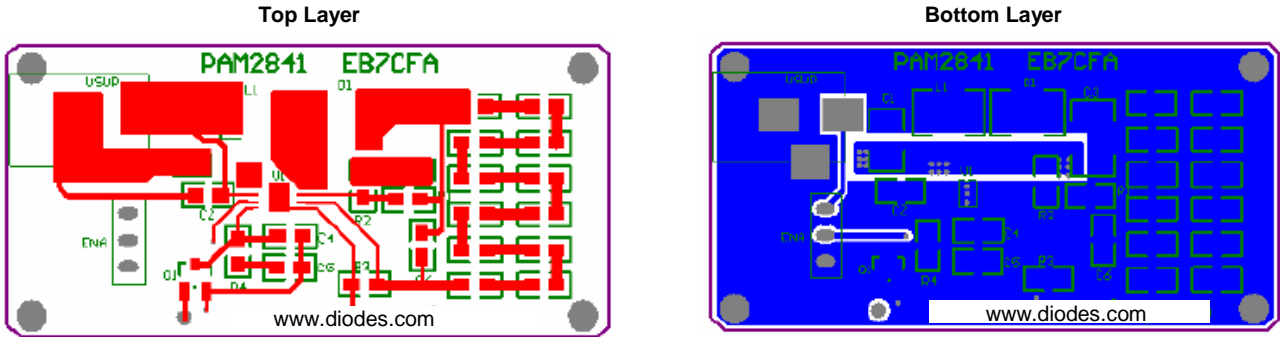
Layout Consideration

As for all switching power supplies, especially those in high frequency and high current ones, layout is an important design step. If layout is not carefully done, the regulator could suffer from instability as well as noise problems.

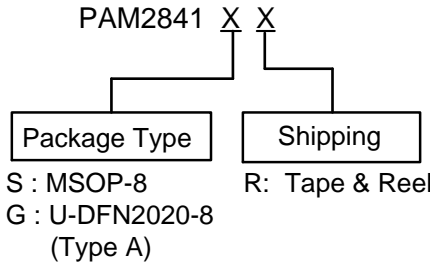
1. Use separate traces for power ground and signal ground. Power ground and signal ground are connected together to a quite ground (input connector).
2. To prevent radiation of high frequency resonance, proper layout of the high frequency switching path is essential. Minimize the length and area of all traces connecting to the SW pin. The loop including the PWM switch, Schottky diode and output capacitor, contains high current rising and falling in nanosecond and thus it should be kept as short as possible.
3. The input capacitor should be close to both the VIN pin and the GND pin in order to reduce the IC supply ripple.
4. Keep the signal ground traces short and as close to the IC as possible. Small signal components should be placed as close as possible to the IC, thus minimizing control signal noise interference.

Application Information (continued)

Layout Example



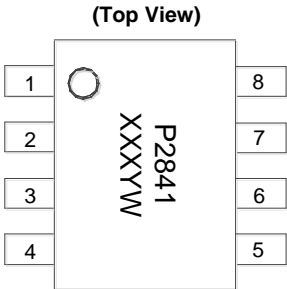
Ordering Information



Part Number	Package	Packing	
		Qty.	Carrier
PAM2841SR	MSOP-8	2500	Tape & Reel
PAM2841GR	U-DFN2020-8 (Type A)	3000	Tape & Reel

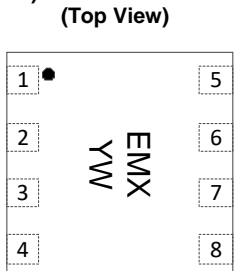
Marking Information

(1) MSOP-8



P2841: Product Type Marking Code
 XXX: Internal Code
 Y: Year
 W: Week

(2) U-DFN2020-8 (Type A)

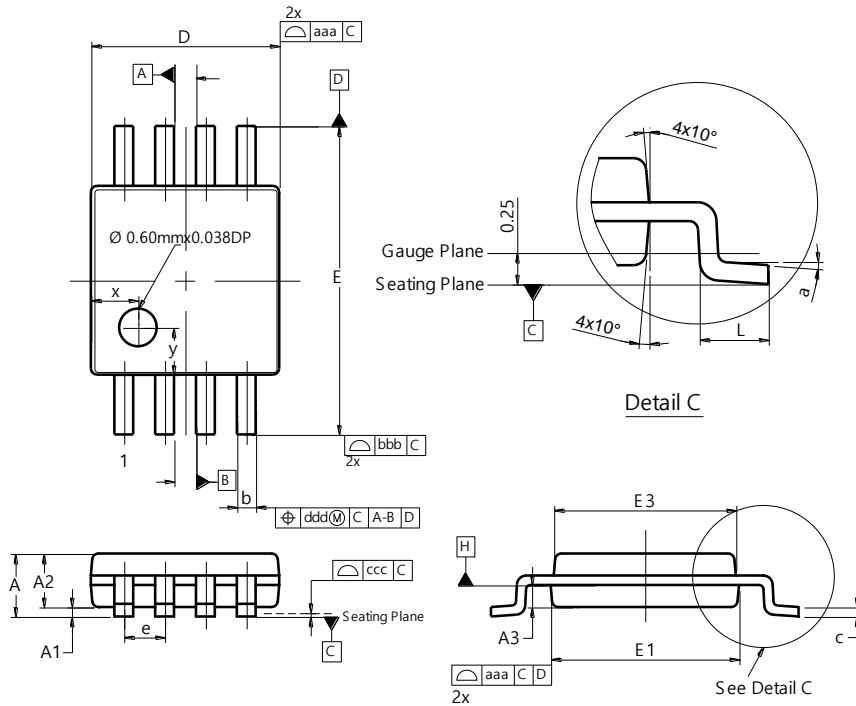


EM: Product Type Marking Code
 X: Internal Code
 Y: Year
 W: Week

Package Outline Dimensions

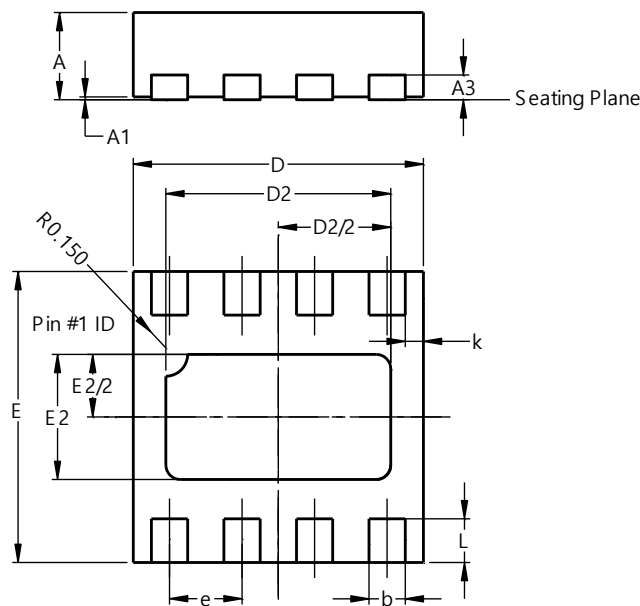
Please see <http://www.diodes.com/package-outlines.html> for the latest version.

(1) MSOP-8



MSOP-8			
Dim	Min	Max	Typ
A	--	1.10	--
A1	0.05	0.15	0.10
A2	0.75	0.95	0.86
A3	0.29	0.49	0.39
b	0.22	0.38	0.30
c	0.08	0.23	0.15
D	2.90	3.10	3.00
E	4.70	5.10	4.90
E1	2.90	3.10	3.00
E3	2.85	3.05	2.95
e	--	--	0.65
L	0.40	0.80	0.60
a	0°	8°	4°
x	--	--	0.750
y	--	--	0.750
aaa	0.20		
bbb	0.25		
ccc	0.10		
ddd	0.13		
All Dimensions in mm			

(2) U-DFN2020-8 (Type A)

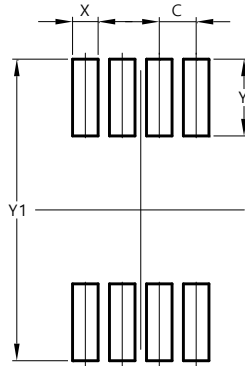


U-DFN2020-8 (Type A)			
Dim	Min	Max	Typ
A	0.570	0.630	0.600
A1	0	0.05	0.02
A3	-	-	0.152
b	0.20	0.30	0.25
D	1.950	2.075	2.00
D2	1.45	1.65	1.55
e	0.500 BSC		
E	1.950	2.075	2.00
E2	0.76	0.96	0.86
k	-	-	0.125
L	0.250	0.350	0.300
All Dimensions in mm			

Suggested Pad Layout

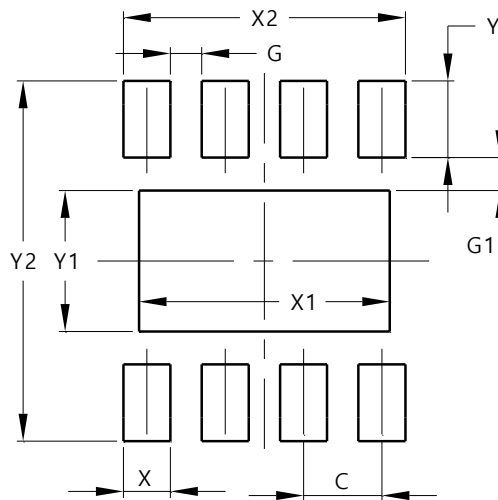
Please see <http://www.diodes.com/package-outlines.html> for the latest version.

(1) MSOP-8



Dimensions	Value (in mm)
C	0.650
X	0.450
Y	1.350
Y1	5.300

(2) U-DFN2020-8 (Type A)



Dimensions	Value (in mm)
C	0.500
G	0.200
G1	0.210
X	0.300
X1	1.600
X2	1.800
Y	0.490
Y1	0.900
Y2	2.300

Mechanical Data

MSOP-8

- Moisture Sensitivity: Level 3 per JESD22-A113
- Terminals: Matte Tin plated Leads, Solderable per M2003 JESD22-B102 (e3)
- Weight: 0.027 grams (Approximate)

U-DFN2020-8 (Type A)

- Moisture Sensitivity: Level 1 per JESD22-A113
- Terminals: NiPdAu plated Leads, Solderable per M2003 JESD22-B102 (e4)
- Weight: 0.007 grams (Approximate)

IMPORTANT NOTICE


1. DIODES INCORPORATED (Diodes) AND ITS SUBSIDIARIES MAKE NO WARRANTY OF ANY KIND, EXPRESS OR IMPLIED, WITH REGARDS TO ANY INFORMATION CONTAINED IN THIS DOCUMENT, INCLUDING, BUT NOT LIMITED TO, THE IMPLIED WARRANTIES OF MERCHANTABILITY, FITNESS FOR A PARTICULAR PURPOSE OR NON-INFRINGEMENT OF THIRD PARTY INTELLECTUAL PROPERTY RIGHTS (AND THEIR EQUIVALENTS UNDER THE LAWS OF ANY JURISDICTION).
2. The Information contained herein is for informational purpose only and is provided only to illustrate the operation of Diodes' products described herein and application examples. Diodes does not assume any liability arising out of the application or use of this document or any product described herein. This document is intended for skilled and technically trained engineering customers and users who design with Diodes' products. Diodes' products may be used to facilitate safety-related applications; however, in all instances customers and users are responsible for (a) selecting the appropriate Diodes products for their applications, (b) evaluating the suitability of Diodes' products for their intended applications, (c) ensuring their applications, which incorporate Diodes' products, comply the applicable legal and regulatory requirements as well as safety and functional-safety related standards, and (d) ensuring they design with appropriate safeguards (including testing, validation, quality control techniques, redundancy, malfunction prevention, and appropriate treatment for aging degradation) to minimize the risks associated with their applications.
3. Diodes assumes no liability for any application-related information, support, assistance or feedback that may be provided by Diodes from time to time. Any customer or user of this document or products described herein will assume all risks and liabilities associated with such use, and will hold Diodes and all companies whose products are represented herein or on Diodes' websites, harmless against all damages and liabilities.
4. Products described herein may be covered by one or more United States, international or foreign patents and pending patent applications. Product names and markings noted herein may also be covered by one or more United States, international or foreign trademarks and trademark applications. Diodes does not convey any license under any of its intellectual property rights or the rights of any third parties (including third parties whose products and services may be described in this document or on Diodes' website) under this document.
5. Diodes' products are provided subject to Diodes' Standard Terms and Conditions of Sale (<https://www.diodes.com/about/company/terms-and-conditions/terms-and-conditions-of-sales/>) or other applicable terms. This document does not alter or expand the applicable warranties provided by Diodes. Diodes does not warrant or accept any liability whatsoever in respect of any products purchased through unauthorized sales channel.
6. Diodes' products and technology may not be used for or incorporated into any products or systems whose manufacture, use or sale is prohibited under any applicable laws and regulations. Should customers or users use Diodes' products in contravention of any applicable laws or regulations, or for any unintended or unauthorized application, customers and users will (a) be solely responsible for any damages, losses or penalties arising in connection therewith or as a result thereof, and (b) indemnify and hold Diodes and its representatives and agents harmless against any and all claims, damages, expenses, and attorney fees arising out of, directly or indirectly, any claim relating to any noncompliance with the applicable laws and regulations, as well as any unintended or unauthorized application.
7. While efforts have been made to ensure the information contained in this document is accurate, complete and current, it may contain technical inaccuracies, omissions and typographical errors. Diodes does not warrant that information contained in this document is error-free and Diodes is under no obligation to update or otherwise correct this information. Notwithstanding the foregoing, Diodes reserves the right to make modifications, enhancements, improvements, corrections or other changes without further notice to this document and any product described herein. This document is written in English but may be translated into multiple languages for reference. Only the English version of this document is the final and determinative format released by Diodes.
8. Any unauthorized copying, modification, distribution, transmission, display or other use of this document (or any portion hereof) is prohibited. Diodes assumes no responsibility for any losses incurred by the customers or users or any third parties arising from any such unauthorized use.
9. This Notice may be periodically updated with the most recent version available at <https://www.diodes.com/about/company/terms-and-conditions/important-notice>

The Diodes logo is a registered trademark of Diodes Incorporated in the United States and other countries.
All other trademarks are the property of their respective owners.
© 2023 Diodes Incorporated. All Rights Reserved.

www.diodes.com

Looking for pricing, stock, or lifecycle information?

Click below to explore more details on WIN SOURCE:

-  [View PAM2841SR on WIN SOURCE](#)
-  [Diodes Incorporated Information](#)

Optimize Your Supply Chain with WIN SOURCE Solutions

-  Global Sourcing Solution
-  Obsolete Management
-  Cost Control Management
-  Shortage Management
-  Alternative Solution
-  Excess Inventory Management