

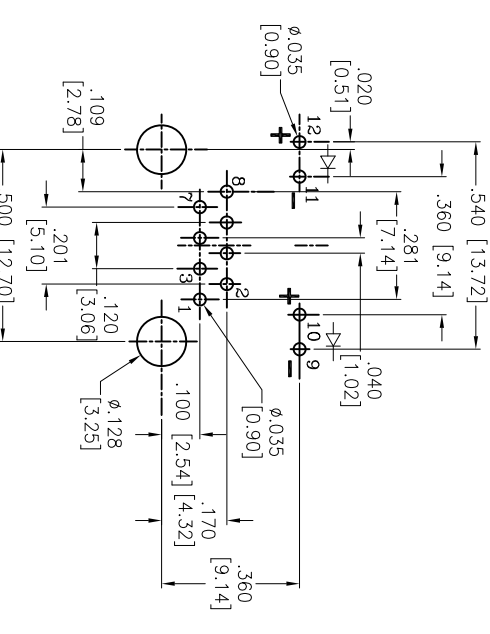
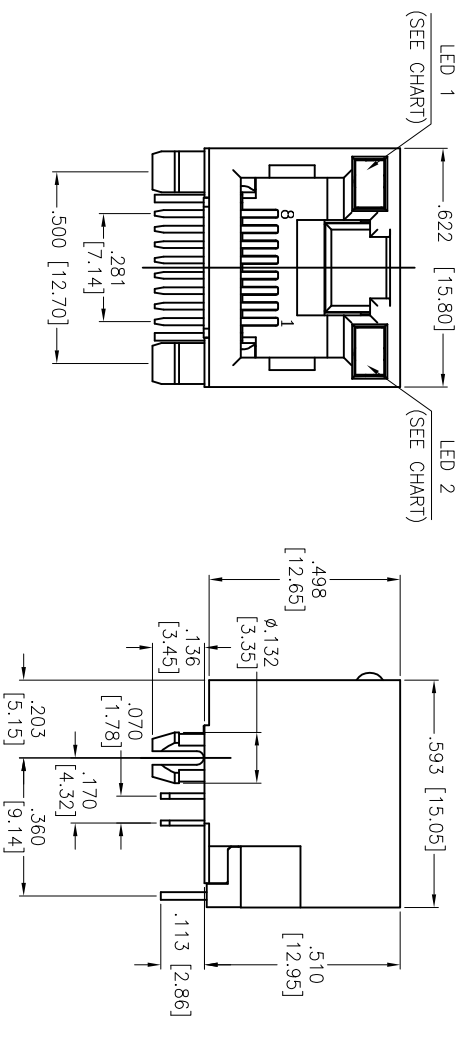


**THE DATASHEET OF
MTJ-88ARX1-LH**



Rev	AWO #	Description	Date	Appr
C		UPDATED SPEC.	8/3/16	AV/NP

APPROVED: _____
 DATE: _____ TITLE: _____



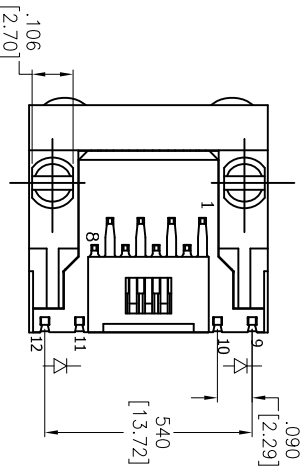
RECOMMENDED PCB LAYOUT

Part Number	LED 1 Color	LED 2 Color
MTJ-88ARX1-LD	Green	Green
MTJ-88ARX1-LG	Yellow	Green
MTJ-88ARX1-LH	Green	Yellow
MTJ-88ARX1-LP	Yellow/Green	Yellow/Green
MTJ-88ARX1-LV	Green	Yellow/Green
MTJ-88ARX1-L16	Green/Yellow	Green/Yellow

SPECIFICATIONS:

Material:
 Insulator: PBT, glass reinforced, rated UL 94V-0
 Insulator color: Black
 Contacts: Phosphor Bronze
 Contacts Plating:
 Round contact
 Gold over Nickel underplate overall
 Flat contact
 Gold over Nickel underplate on contact area,
 Tin over Nickel underplate on solder tails
 (See chart for thickness)

Electrical:
 Voltage rating: 150 VAC rms
 Current rating: 1.5 Amp
 Contact Resistance: 20 mohms max
 Insulation resistance: 1000 Mohms min @ 500 VDC
 Dielectric withstanding voltage:
 Contact to Contact: 1,000 VDC or AC Peak for 1 minute
 Contact to Screen and Test panel: 1,500 VDC or AC Peak for 1 minute
 Temperature Rating:
 Operating temperature: -40°C to +85°C
 Environmental:
 Lead free, RoHS compliant.



UNLESS OTHERWISE SPECIFIED
 ALL DIMENSIONS ARE INCHES [MM]
 TOLERANCES: EXCEPT AS NOTED
 INCHES HILES

.X	± .10	ØX	± .10
.XX	± .020	ØXXX	± .015
.XXX	± .015	ØXXX	± .010

APPROVALS: _____ DATE: _____

DRAWN	SS	5/2/05
CHECKED		
APPROVED		

ADAM TECH
 909 Rahway Avenue, Union, NJ 07083
 Phone: 908-687-5000 Fax: 908-687-5710



MODULAR TELEPHONE JACK, 8P8C
 RIGHT ANGLE, WITH LEDS

SIZE	PART NO.	REV.
X	MTJ-88ARX1-LX	C
REF:	S00036C	SHEET 1 OF 1
SCALE:	NIS	



Looking for pricing, stock, or lifecycle information?

Click below to explore more details on WIN SOURCE:

-  [View MTJ-88ARX1-LH on WIN SOURCE](#)
-  [Adam Technologies, Inc. Information](#)

Optimize Your Supply Chain with WIN SOURCE Solutions

-  Global Sourcing Solution
-  Obsolete Management
-  Cost Control Management
-  Shortage Management
-  Alternative Solution
-  Excess Inventory Management