



**THE DATASHEET OF
MK3721DLF**



Description

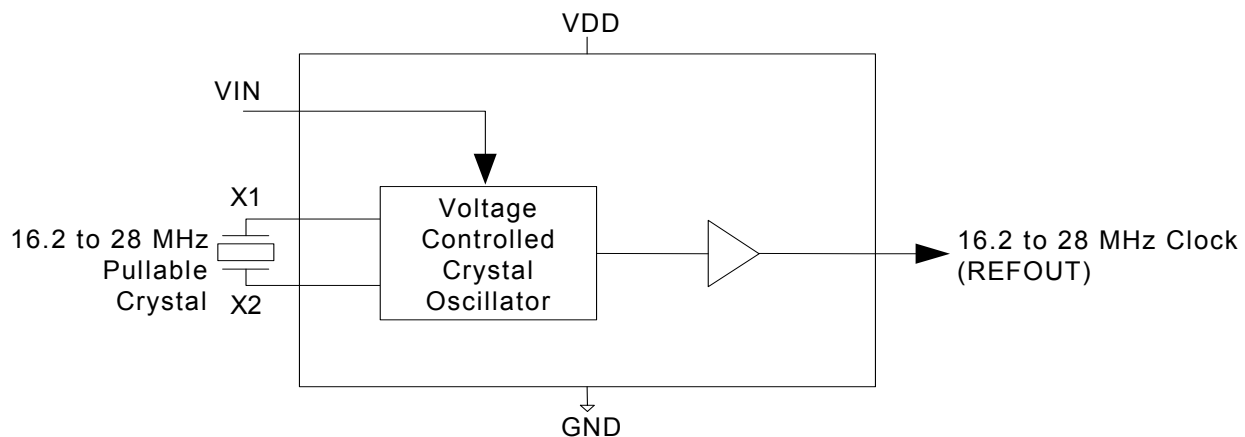
The MK3721 series of devices includes the original MK3721S and the new MK3721D. The MK3721D is a drop-in replacement for the MK3721S device. Compared to the earlier device, the MK3721D offers a wider operating frequency range and improved power supply noise rejection.

The MK3721 is a low cost, low-jitter, high-performance 3.3 volt VCXO designed to replace expensive discrete VCXOs modules. The on-chip Voltage Controlled Crystal Oscillator accepts a 0 to 3.3 V input voltage to cause the output clocks to vary by ± 100 ppm. Using ICS' patented VCXO techniques, the device uses an inexpensive external pullable crystal in the range of 16.2 to 28 MHz to produce a VCXO output clock at that same frequency.

ICS manufactures the largest variety of Set-Top Box and multimedia clock synthesizers for all applications. If more clock outputs are needed, see the MK3732 or MK377x family of parts. Consult ICS to eliminate VCXOs, crystals, and oscillators from your board.

The frequency of the on-chip VCXO is adjusted by an external control voltage input into pin VIN. Because VIN is a high-impedance input, it can be driven directly from an PWM RC integrator circuit. Frequency output increases with VIN voltage input. The usable range of VIN is 0 to 3.3 V.

Block Diagram

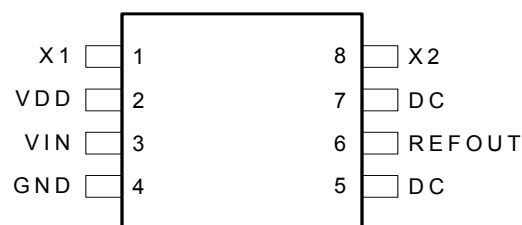


Features

- MK3721D is a drop-in replacement for the earlier MK3721S device
- Packaged in 8-pin SOIC
- Operational frequency range of 16.2 MHz to 28 MHz
- Uses an inexpensive external crystal
- On-chip patented VCXO with pull range of 200 ppm (minimum)
- VCXO tuning voltage of 0 to 3.3 V
- Operating voltage of 3.3 V
- 12 mA output drive capability at TTL levels
- Advanced, low-power, sub-micron CMOS process
- For frequencies between 1 MHz and 8 MHz, use the MK3713D. For higher than 28 MHz, use the MK3732-05.
- Available in a lead-free package

MK3721D is recommended for new designs.

Pin Assignment



MK3721S
MK3721D

8-Pin (150 mil) SOIC

Pin Descriptions

| Pin Number | Pin Name | Pin Type | Pin Description |
|------------|----------|----------|--|
| 1 | XI | Input | Crystal connection. Connect to the external pullable crystal. |
| 2 | VDD | Power | Connect to +3.3 V (0.01 μ f decoupling capacitor recommended). |
| 3 | VIN | Input | Voltage input to VCXO. Zero to 3.3 V signal which controls the VCXO frequency. |
| 4 | GND | Power | Connect to ground. |
| 5 | DC | -- | Do not connect to this pin. |
| 6 | REFOUT | Output | VCXO CMOS level clock output matches the nominal frequency of the crystal. |
| 7 | DC | -- | Do not connect anything to this pin. |
| 8 | X2 | Input | Crystal connection. Connect to a pullable 16.2 to 28 MHz crystal. |

External Component Selection

The MK3721 requires a minimum number of external components for proper operation.

Decoupling Capacitors

A decoupling capacitor of 0.01 μ F should be connected between VDD and GND on pins 2 and 4 as close to the MK3721 as possible. For optimum device performance, the decoupling capacitor should be mounted on the component side of the PCB. Avoid the use of vias in the decoupling circuit.

Series Termination Resistor

When the PCB trace between the clock output and the load is over 1 inch, series termination should be used. To series terminate a 50 Ω trace (a commonly used trace impedance), place a 33 Ω resistor in series with the clock line, as close to the clock output pin as possible. The nominal impedance of the clock output is 20 Ω .

Quartz Crystal

The MK3721 VCXO function consists of the external crystal and the integrated VCXO oscillator circuit. To assure the best system performance (frequency pull range) and reliability, a crystal device with the recommended parameters (shown below) must be used, and the layout guidelines discussed in the following section shown must be followed.

The oscillation frequency of a quartz crystal is determined by its “cut” and by the load capacitors connected to it. The MK3721 incorporates on-chip variable load capacitors that “pull” (change) the frequency of the crystal. The crystal specified for use with the MK3721 is designed to have zero frequency error when the total of on-chip + stray capacitance is 14 pF.

Recommended Crystal Parameters:

| | |
|------------------------------|-----------------|
| Initial Accuracy at 25°C | ± 20 ppm |
| Temperature Stability | ± 30 ppm |
| Aging | ± 20 ppm |
| Load Capacitance | 14 pf |
| Shunt Capacitance, C0 | 7 pF Max |
| C0/C1 Ratio | 250 Max |
| Equivalent Series Resistance | 35 Ω Max |

The external crystal must be connected as close to the chip

as possible and should be on the same side of the PCB as the MK3721. There should be no via's between the crystal pins and the X1 and X2 device pins. There should be no signal traces underneath or close to the crystal. See application note MAN05.

Crystal Tuning Load Capacitors

The crystal traces should include pads for small fixed capacitors, one between X1 and ground, and another between X2 and ground. Stuffing of these capacitors on the PCB is optional. The need for these capacitors is determined at system prototype evaluation, and is influenced by the particular crystal used (manufacture and frequency) and by PCB layout. The typical required capacitor value is 1 to 4 pF.

The procedure for determining the value of these capacitors can be found in application note MAN05.

Absolute Maximum Ratings

Stresses above the ratings listed below can cause permanent damage to the MK3721. These ratings, which are standard values for ICS commercially rated parts, are stress ratings only. Functional operation of the device at these or any other conditions above those indicated in the operational sections of the specifications is not implied. Exposure to absolute maximum rating conditions for extended periods can affect product reliability. Electrical parameters are guaranteed only over the recommended operating temperature range.

| Item | Rating |
|-------------------------------|---------------------|
| Supply Voltage, VDD | 7 V |
| All Inputs and Outputs | -0.5 V to VDD+0.5 V |
| Ambient Operating Temperature | 0 to +70°C |
| Storage Temperature | -65 to +150°C |
| Soldering Temperature | 260°C |

Recommended Operation Conditions

| Parameter | Min. | Typ. | Max. | Units |
|---|-----------------|------|-------|-------|
| Ambient Operating Temperature | 0 | – | +70 | °C |
| Power Supply Voltage (measured in respect to GND) | +3.15 | | +3.45 | V |
| Reference crystal parameters | Refer to page 3 | | | |

DC Electrical Characteristics

VDD=3.3V ±5% , Ambient temperature 0 to +70°C, unless stated otherwise

| Parameter | Symbol | Conditions | Min. | Typ. | Max. | Units |
|----------------------------------|-----------------|--------------------------|---------|------|------|-------|
| Operating Voltage | VDD | | 3.15 | | 3.45 | V |
| Output High Voltage | V _{OH} | I _{OH} = -12 mA | 2.4 | | | V |
| Output Low Voltage | V _{OL} | I _{OL} = 12 mA | | | 0.4 | V |
| Output High Voltage (CMOS Level) | V _{OH} | I _{OH} = -4 mA | VDD-0.4 | | | V |
| Operating Supply Current | IDD | No load | | 6 | | mA |
| Short Circuit Current | I _{OS} | | | ±50 | | mA |
| VIN, VCXO Control Voltage | V _{IA} | | 0 | | 3.3 | V |

AC Electrical Characteristics

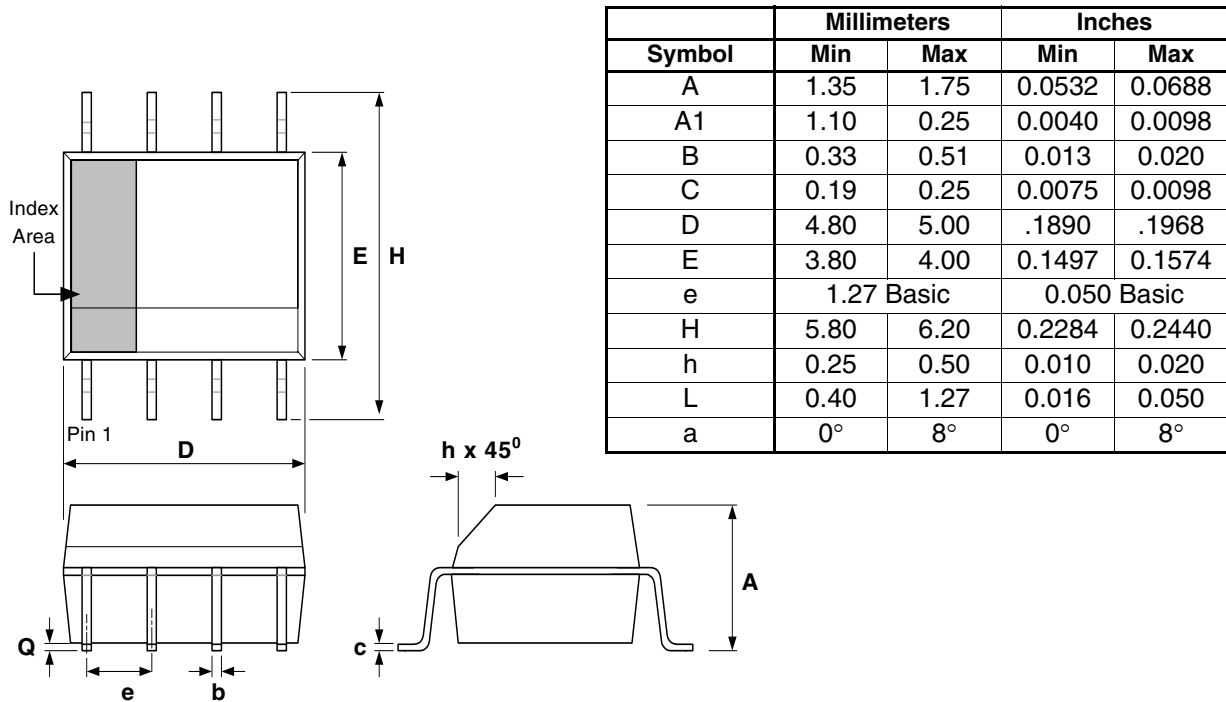
VDD = 3.3V ±5%, Ambient Temperature 0 to +70° C, unless stated otherwise

| Parameter | Symbol | Conditions | Min. | Typ. | Max. | Units |
|-----------------------------------|-----------------|---|-------|------|------|-------|
| Output Frequency | | | | | | |
| MK3721D | F _O | | 16.2 | | 28 | MHz |
| MK3721S | F _O | 24 MHz | | 24 | | MHz |
| Crystal Pullability | | | | | | |
| MK3721D | F _P | 0V ≤ VIN ≤ 3.3 V, Note 1 | ± 115 | | | ppm |
| MK3721S | F _P | 0V ≤ VIN ≤ 3.3 V, Note 1 | ± 100 | | | ppm |
| VCXO Gain | | | | | | |
| MK3721D | | VIN = VDD/2 ± 1 V, Note 1 | | 120 | | ppm/V |
| MK3721S | | VIN = VDD/2 ± 1 V, Note 1 | | 140 | | ppm/V |
| Output Rise Time | t _{OR} | 0.8 to 2.0 V, C _L =15 pF | | | 1.5 | ns |
| Output Fall Time | t _{OF} | 2.0 to 0.8 V, C _L =15 pF | | | 1.5 | ns |
| Output Clock Duty Cycle | t _D | Measured at 1.4V, C _L =15 pF | 40 | 50 | 60 | % |
| Maximum Output Jitter, short term | t _J | C _L =15 pF | | 110 | | ps |

Note 1: External crystal device must conform with Pullable Crystal Specifications listed on page 3.

Package Outline and Package Dimensions (8-pin SOIC)

Package dimensions are kept current with JEDEC Publication No. 95



Ordering Information

| Part / Order Number (Note 1) | Marking | Shipping packaging | Package | Temperature |
|------------------------------|----------|--------------------|------------|-------------|
| MK3721D | MK3721D | Tubes | 8-pin SOIC | 0 to +70° C |
| MK3721DTR | MK3721D | Tape and Reel | 8-pin SOIC | 0 to +70° C |
| MK3721DLF | MK3721DL | Tubes | 8-pin SOIC | 0 to +70° C |
| MK3721DLFTR | MK3721DL | Tape and Reel | 8-pin SOIC | 0 to +70° C |
| MK3721S | MK3721S | Tubes | 8-pin SOIC | 0 to +70° C |
| MK3721STR | MK3721S | Tape and Reel | 8-pin SOIC | 0 to +70° C |

Note 1: MK3721D is recommended for new designs.

While the information presented herein has been checked for both accuracy and reliability, Integrated Circuit Systems (ICS) assumes no responsibility for either its use or for the infringement of any patents or other rights of third parties, which would result from its use. No other circuits, patents, or licenses are implied. This product is intended for use in normal commercial applications. Any other applications such as those requiring extended temperature range, high reliability, or other extraordinary environmental requirements are not recommended without additional processing by ICS. ICS reserves the right to change any circuitry or specifications without notice. ICS does not authorize or warrant any ICS product for use in life support devices or critical medical instruments.

MK3721

LOW COST 16.2 TO 28 MHZ 3.3 VOLT VCXO

VCXO

IMPORTANT NOTICE AND DISCLAIMER

RENESAS ELECTRONICS CORPORATION AND ITS SUBSIDIARIES (“RENESAS”) PROVIDES TECHNICAL SPECIFICATIONS AND RELIABILITY DATA (INCLUDING DATASHEETS), DESIGN RESOURCES (INCLUDING REFERENCE DESIGNS), APPLICATION OR OTHER DESIGN ADVICE, WEB TOOLS, SAFETY INFORMATION, AND OTHER RESOURCES “AS IS” AND WITH ALL FAULTS, AND DISCLAIMS ALL WARRANTIES, EXPRESS OR IMPLIED, INCLUDING, WITHOUT LIMITATION, ANY IMPLIED WARRANTIES OF MERCHANTABILITY, FITNESS FOR A PARTICULAR PURPOSE, OR NON-INFRINGEMENT OF THIRD-PARTY INTELLECTUAL PROPERTY RIGHTS.

These resources are intended for developers who are designing with Renesas products. You are solely responsible for (1) selecting the appropriate products for your application, (2) designing, validating, and testing your application, and (3) ensuring your application meets applicable standards, and any other safety, security, or other requirements. These resources are subject to change without notice. Renesas grants you permission to use these resources only to develop an application that uses Renesas products. Other reproduction or use of these resources is strictly prohibited. No license is granted to any other Renesas intellectual property or to any third-party intellectual property. Renesas disclaims responsibility for, and you will fully indemnify Renesas and its representatives against, any claims, damages, costs, losses, or liabilities arising from your use of these resources. Renesas' products are provided only subject to Renesas' Terms and Conditions of Sale or other applicable terms agreed to in writing. No use of any Renesas resources expands or otherwise alters any applicable warranties or warranty disclaimers for these products.

(Disclaimer Rev.1.01 Jan 2024)

Corporate Headquarters

TOYOSU FORESIA, 3-2-24 Toyosu,
Koto-ku, Tokyo 135-0061, Japan
www.renesas.com

Trademarks

Renesas and the Renesas logo are trademarks of Renesas Electronics Corporation. All trademarks and registered trademarks are the property of their respective owners.

Contact Information

For further information on a product, technology, the most up-to-date version of a document, or your nearest sales office, please visit www.renesas.com/contact-us/.

Looking for pricing, stock, or lifecycle information?

Click below to explore more details on WIN SOURCE:

- ⊖ [View MK3721DLF on WIN SOURCE](#)
- ⊖ [Renesas Electronics America](#) Information

Optimize Your Supply Chain with WIN SOURCE Solutions

- ✓ Global Sourcing Solution
- ✓ Obsolete Management
- ✓ Cost Control Management
- ✓ Shortage Management
- ✓ Alternative Solution
- ✓ Excess Inventory Management