

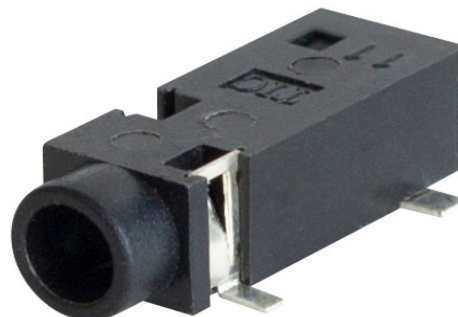


**THE DATASHEET OF
MJ-3523-SMT-TR**



MODEL: MJ-3523-SMT-TR | **DESCRIPTION:** AUDIO JACK**FEATURES**

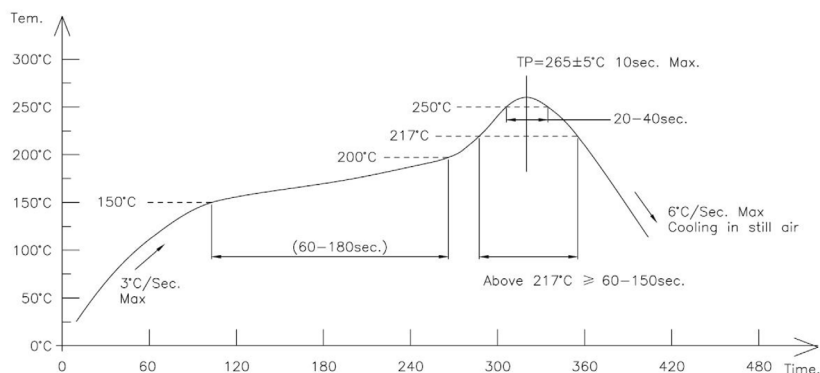
- 3.5 mm
- right angle
- reflow solder compatible
- surface mount

**SPECIFICATIONS**

| parameter | conditions/description | min | typ | max | units |
|----------------------------|------------------------|-----|-------|-----|--------|
| rated input voltage | | | 12 | | Vdc |
| rated input current | | | | 1 | A |
| contact resistance | | | | 50 | mΩ |
| insulation resistance | at 500 Vdc | 100 | | | MΩ |
| voltage withstand | for 1 minute | | | 500 | Vac |
| insertion/withdrawal force | | 0.3 | | 3 | kg |
| operating temperature | | -25 | | 85 | °C |
| life | | | 5,000 | | cycles |
| flammability rating | UL94V-0 | | | | |
| RoHS | yes | | | | |

SOLDERABILITY

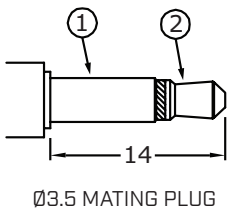
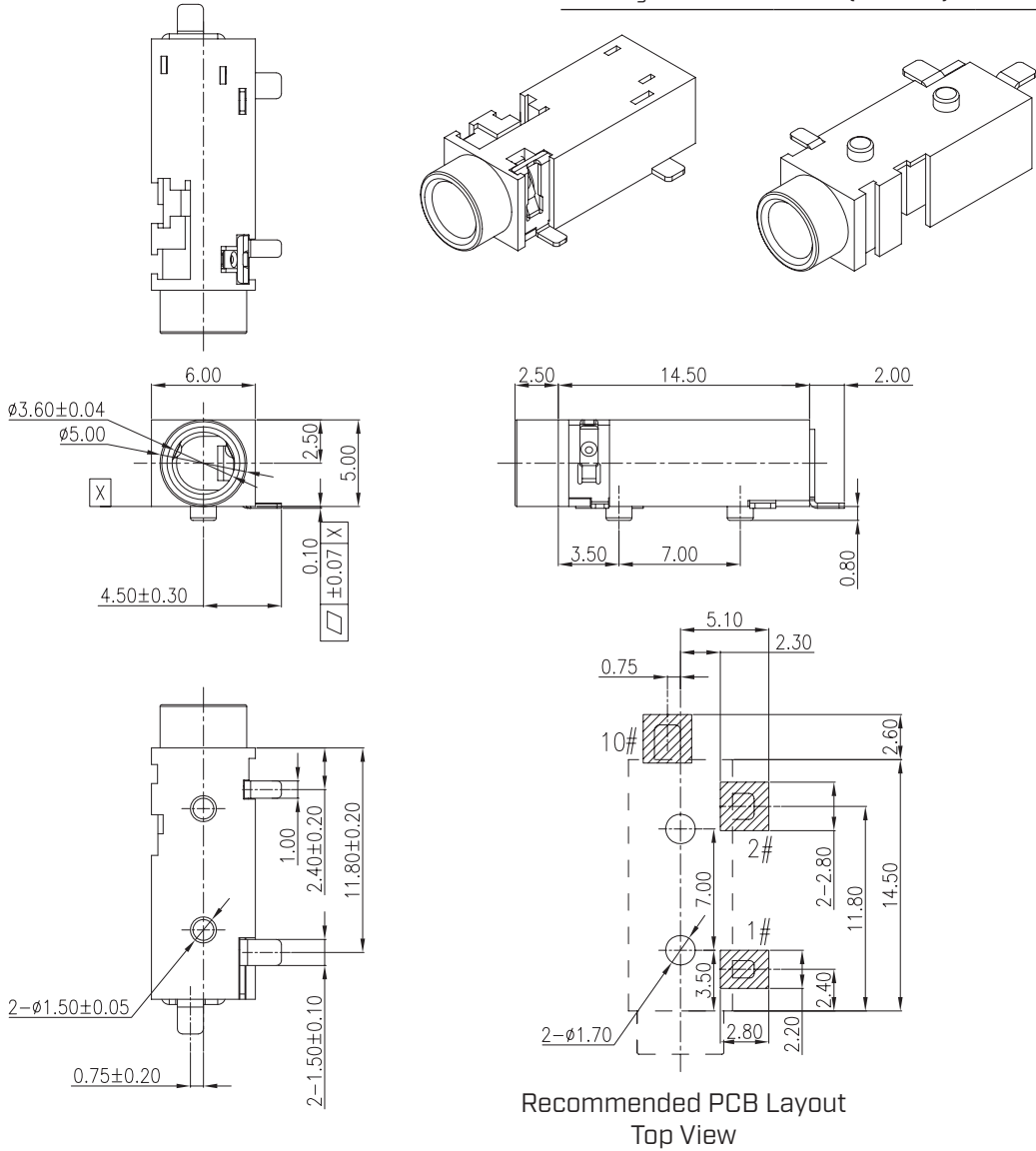
| parameter | conditions/description | min | typ | max | units |
|------------------|------------------------|-----|-----|-----|-------|
| reflow soldering | see reflow profile | 260 | 265 | 270 | °C |



MECHANICAL DRAWING

units: mm
 tolerance:
 X, ±0.50 mm
 X.X ±0.30 mm
 X.XX ±0.20 mm
 PCB: ±0.05 mm
 unless otherwise specified

| DESCRIPTION | MATERIAL | PLATING/COLOR |
|-------------|-----------------|---------------|
| terminal 1 | copper alloy | silver |
| terminal 2 | copper alloy | silver |
| terminal 10 | brass | silver |
| housing | PA10T [UL94V-0] | black |



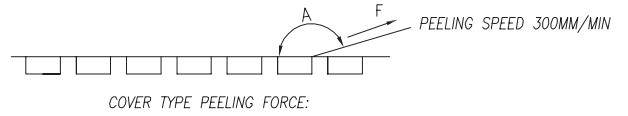
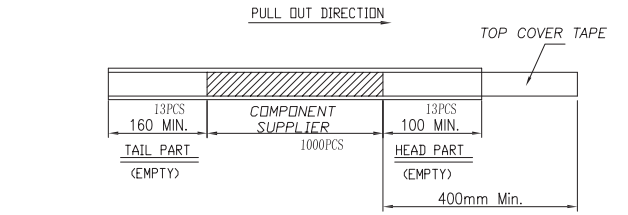
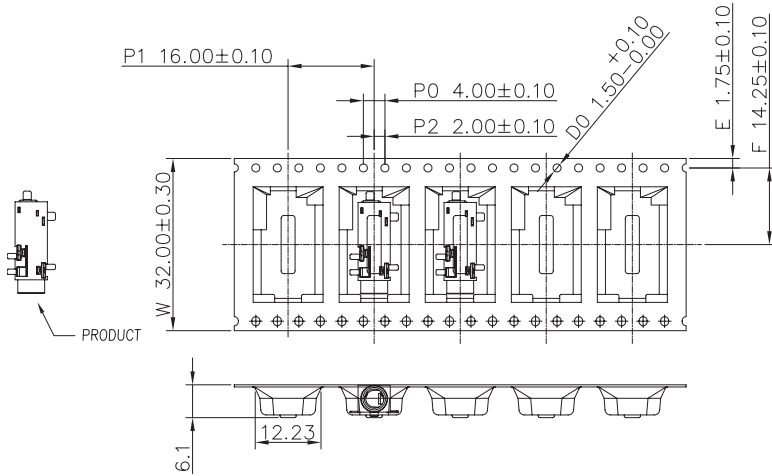
| | |
|-----------|------------|
| Schematic | |
| PIN | |
| 1 | sleeve |
| 2 | tip |
| 10 | tip switch |

PACKAGING

units: mm

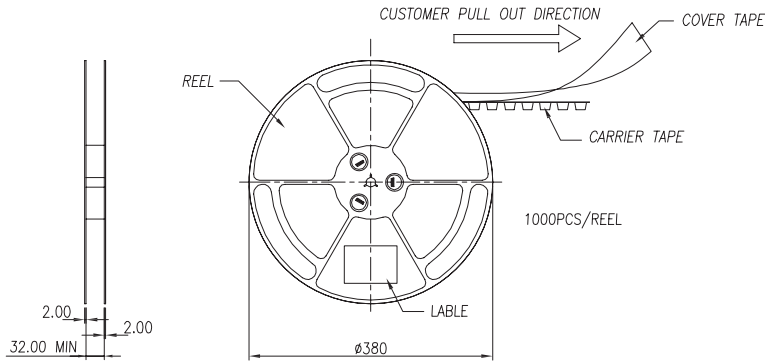
Reel Size: $\varnothing 380$ mm

Reel QTY: 1,000 pcs per reel



COVER TYPE PEELING FORCE:

| | |
|---|-----------|
| A | 165°~180° |
| F | 0.1N~1.3N |



REVISION HISTORY

| rev. | description | date |
|------|---|------------|
| 1.0 | initial release | 12/02/2005 |
| 1.01 | updated plastic mold | 12/18/2007 |
| 1.02 | corrected dimension from 2.15 to 1.40 mm | 08/18/2009 |
| 1.03 | brand update | 03/30/2020 |
| 1.04 | product reengineered for improved manufacturability and production yield, see PCN for details | 03/06/2023 |

The revision history provided is for informational purposes only and is believed to be accurate.



CUI Devices offers a one (1) year limited warranty. Complete warranty information is listed on our website.

CUI Devices reserves the right to make changes to the product at any time without notice. Information provided by CUI Devices is believed to be accurate and reliable. However, no responsibility is assumed by CUI Devices for its use, nor for any infringements of patents or other rights of third parties which may result from its use.

CUI Devices products are not authorized or warranted for use as critical components in equipment that requires an extremely high level of reliability. A critical component is any component of a life support device or system whose failure to perform can be reasonably expected to cause the failure of the life support device or system, or to affect its safety or effectiveness.

cuidevices.com

Looking for pricing, stock, or lifecycle information?

Click below to explore more details on WIN SOURCE:

 [View MJ-3523-SMT-TR on WIN SOURCE](#)

 [CUI Inc. Information](#)

Optimize Your Supply Chain with WIN SOURCE Solutions

-  Global Sourcing Solution
-  Obsolete Management
-  Cost Control Management
-  Shortage Management
-  Alternative Solution
-  Excess Inventory Management