



THE DATASHEET OF MINISMDE190-2



Raychem Corporation
 300 Constitution Drive
 Menlo Park, CA 94025
 800-227-4856
 FAX 800-227-4866

Raychem
PolySwitch®
PTC Devices
 Overcurrent Protection Device

PRODUCT: miniSMDE190

DOCUMENT: SCD 24043
 PCN: 676869
 REV LETTER: E
 REV DATE: JULY 15, 1999
 PAGE: 1 OF 1

Specification Status: RELEASED

Maximum Electrical Rating

Voltage: 16V_{DC}
Current: 100A

Marking:

19  6L

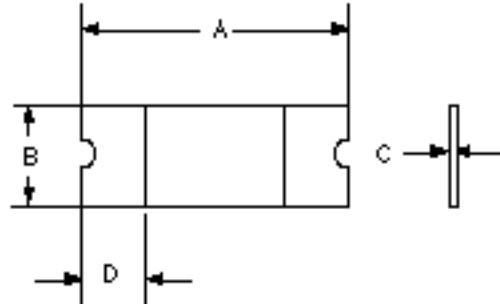
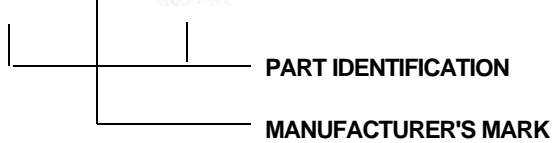


TABLE I. DIMENSIONS:

	A		B		C		D	
	MIN	MAX	MIN	MAX	MIN	MAX	MIN	MAX
mm:	11.15	11.51	4.83	5.33	0.33	0.53	0.51	1.02
in*:	(0.439)	(0.453)	(0.19)	(0.21)	(0.013)	(0.021)	(0.02)	(0.04)

*Rounded off approximation



TABLE II. PERFORMANCE RATINGS:

I HOLD	I HOLD AT TEMPERATURE				TIME TO TRIP		REFERENCE RESISTANCE VALUES		ONE-HOUR POST-TRIP RESISTANCE		TRIPPED-STATE POWER DISSIPATION
	AMPS AT 20°C HOLD	AMPS AT 0°C HOLD	AMPS AT 20°C HOLD	AMPS AT 60°C HOLD	AMPS AT 80°C HOLD	SECONDS AT 20°C, 10A TYP	SECONDS AT 20°C, 10A MAX	OHMS AT 20°C MIN	OHMS AT 20°C MAX	OHMS AT 20°C TYP	
1.9	2.2	1.9	1.1	0.5	0.70	2.0	0.024	0.040	0.065	0.080	1.5

Reference Documents: PS300
 Precedence: This specification takes precedence over documents referenced herein.
 Effectivity: Reference documents shall be the issue in effect on the date of invitation for bid.
 CAUTION: Operation beyond the rated voltage or current may result in rupture, electrical arcing or flame.

Looking for pricing, stock, or lifecycle information?

Click below to explore more details on WIN SOURCE:

-  [View MINISMDE190-2 on WIN SOURCE](#)
-  [Littelfuse Inc. Information](#)

Optimize Your Supply Chain with WIN SOURCE Solutions

-  Global Sourcing Solution
-  Obsolete Management
-  Cost Control Management
-  Shortage Management
-  Alternative Solution
-  Excess Inventory Management