



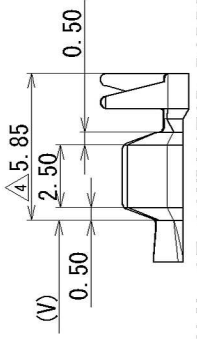
THE DATASHEET OF
15324980



TABLE 1 WIRE CRIMP SIZE		PART NO. AND CH. CODE	△ C	△ V	W1	W2	△ H1	△ H2	△ 3 (INSULATION DIAMETER: φ0.91~φ1.90)
S	7116-4415-02, C	ETC.	3.0	1.9	1.49	2.82	1.82	2.84	△ 3 (JASO) 0.3 △ 3 (ISO) 0.22~0.35
M	7116-4416-02, C	△ (7B16-4416-02, C)	3.0	1.9	1.82	2.94	2.20	3.13	△ 3 (JASO) 0.5 △ 3 (ISO) 0.5
L	7116-4417-02, C	ETC.	△ SEE DWG	1.65	△ 1.96	3.10	2.55	3.53	△ 3 (JASO) 0.85 △ 3 (ISO) 0.75

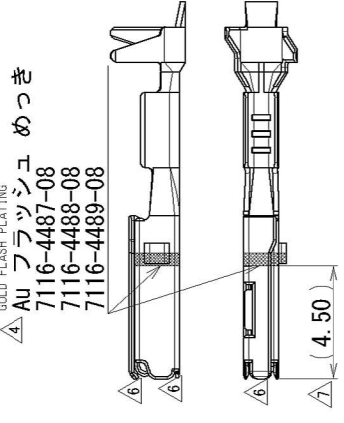
△ 2. DETAIL OF CONDUCTOR BARREL

- △ (7116-4417-02)
- △ (7116-4417-08)
- △ (7116-4489-08)



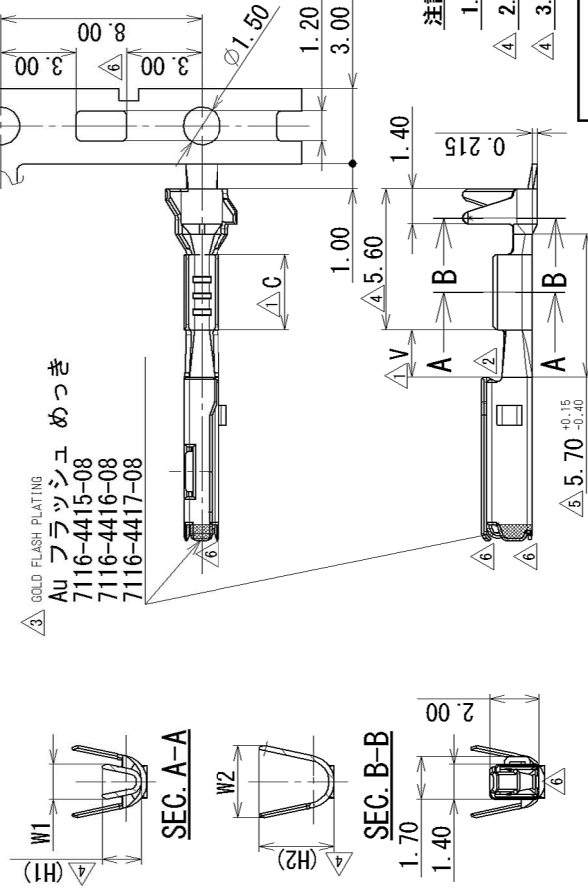
△ 4. GOLD FLASH PLATING

- △ Au フラッシュ めっき
- 7116-4487-08
- 7116-4488-08
- 7116-4489-08



△ 3. GOLD FLASH PLATING

- △ Au フラッシュ めっき
- 7116-4415-08
- 7116-4416-08
- 7116-4417-08



SEC. A-A

SEC. B-B

NOTES

1. MALE TERMINAL PART NO. : 7114-4415-02, -4416-02, -4417-02
2. APPLICABLE WIRE SEAL PART NO. : 7158-3165-90, -3166-60, -3167-80, -3168-80, -3182-20
3. PART NUMBERS IN PARENTHESIS SHALL BE USED FOR AIR BAG(A/B) CIRCUITS AND OTHER CIRCUITS DESIGNATED FOR SPECIAL CONTROL.

注記

1. かん合端子品番 : 7114-4415-02, -4416-02, -4417-02
2. 適用ゴム栓品番 : 7158-3165-90, -3166-60, -3167-80, -3168-80, -3182-20
3. ()内の品番はA/B回路及び特別管理回路に使用すること。

DATE	REVISION RECORD	NO.	CHKD	REVISION
2015/11/25	CHANGED DIMENSION	C15-Z542	S. P	
2006/03/30	CHANGE FORM. ETC.	C06-Z314	S. K	
2004/11/22	ADDED TOLERANCE	C04-ZF29	Y. I	
2003/12/11	ADDED GOLD PLATING ETC.	C03-X787	H. Y	
2002/09/23	ADDED PART NO. ETC.	C02-Y003	H. Y	
2002/06/05	REVISED FORM. ETC.	C02-X502	T. Y	
2001/10/30	CHANGED DIMENSION	C01-Y113	H. Y	
2001/09/04	NEW	C01-X871	H. Y	

△ 6. GENERAL TOLERANCE											
	10 MAX	50 MAX	100 MAX	250 MAX	250 OVR	R5 MAX	R10 MAX	R20 MAX	R20 OVR	ANGLE	ECCENT
A	±0.15	±0.2	±0.3	±0.5	±0.75	±0.2	±0.3	±0.5	±2.5	±3°	0.1
B	±0.2	±0.3	±0.55	±0.95	±1.4	±0.2	±0.3	±0.5	±2.5	±3°	0.1
C	±0.3	±0.5	±0.8	±1.4	±2	±0.3	±0.5	±1.0	±2.5	±3°	0.15

LET	DATE	REVISION RECORD	NO.	CHKD	REVISION	MASS	UNIT	APPROVED	CHECKED	DESIGN	DRAWN	DWG NO.	CH. CODE	PART NO.
A	±0.15	±0.2	±0.3	±0.5	±0.75	±0.1	mm	T. YAMAWAKI		MURAKAMI	S. PEREZ	7116-4415-02		7116-4415-02 ETC.
B	±0.2	±0.3	±0.55	±0.95	±1.4	±0.1	mm			YOSHIDA		7116-4415-02:R		
C	±0.3	±0.5	±0.8	±1.4	±2	±0.15	mm							
SPECIFIED														
REVISION RECORD														
GENERAL TOLERANCE														
VENDOR NO.														
DNG TYPE														
DNG DATE														
DNG SOURCE														
UNIT														
SQ. ANGLE														
PART NO.														
CH. CODE														
DNG NO.														
SET DRW NO.														
YAZAKI CORPORATION														

Looking for pricing, stock, or lifecycle information?

Click below to explore more details on WIN SOURCE:

 [View 15324980 on WIN SOURCE](#)

 [Aptiv Information](#)

Optimize Your Supply Chain with WIN SOURCE Solutions

-  Global Sourcing Solution
-  Obsolete Management
-  Cost Control Management
-  Shortage Management
-  Alternative Solution
-  Excess Inventory Management