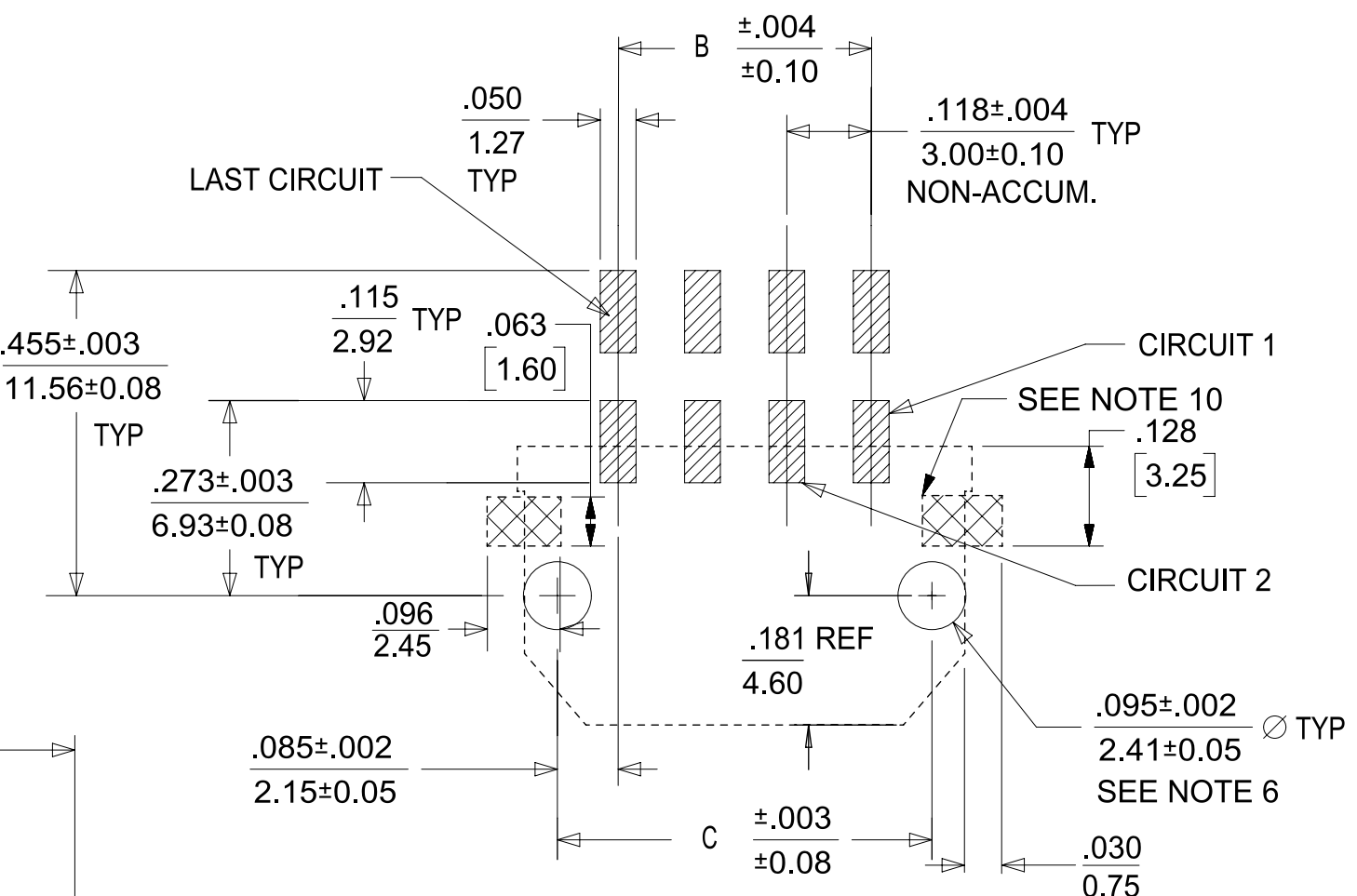
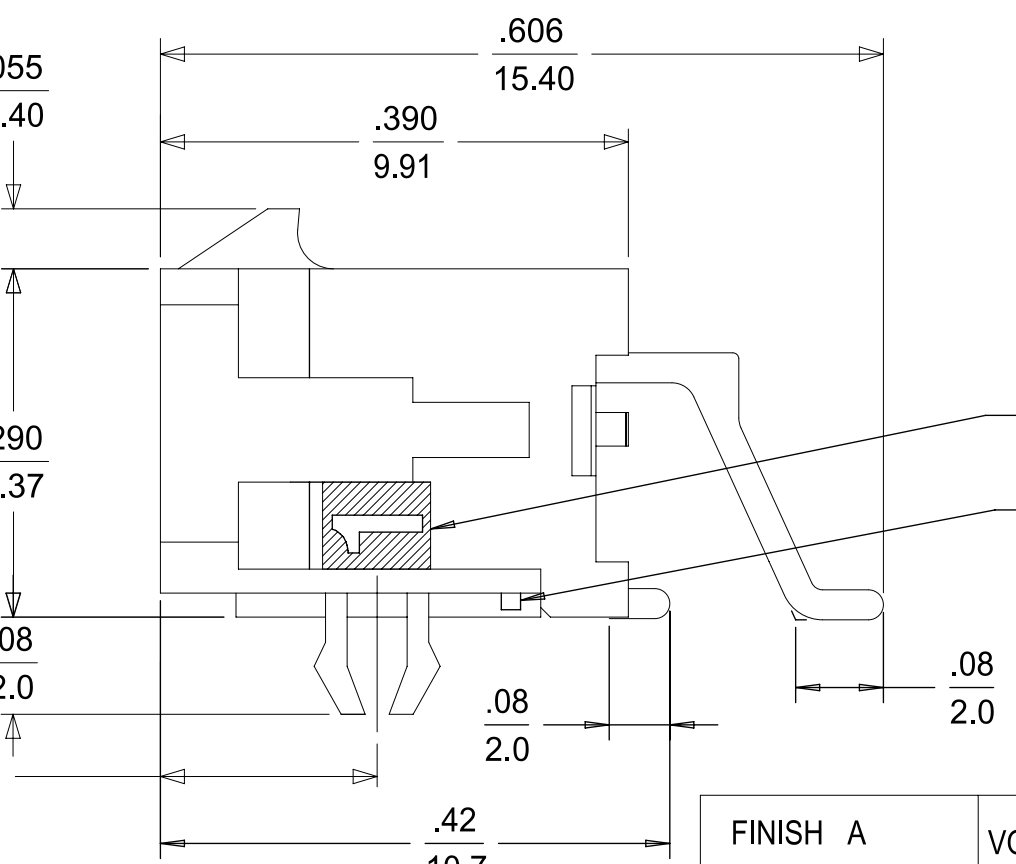
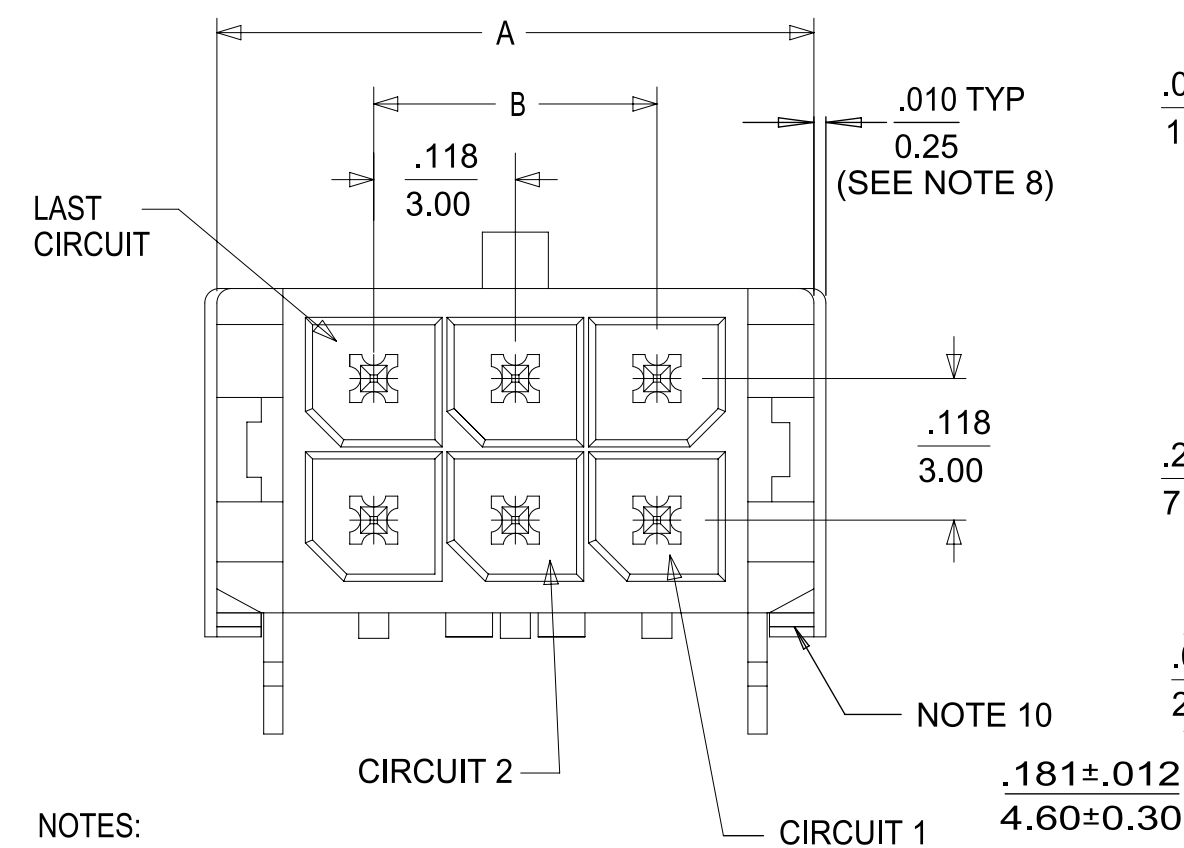
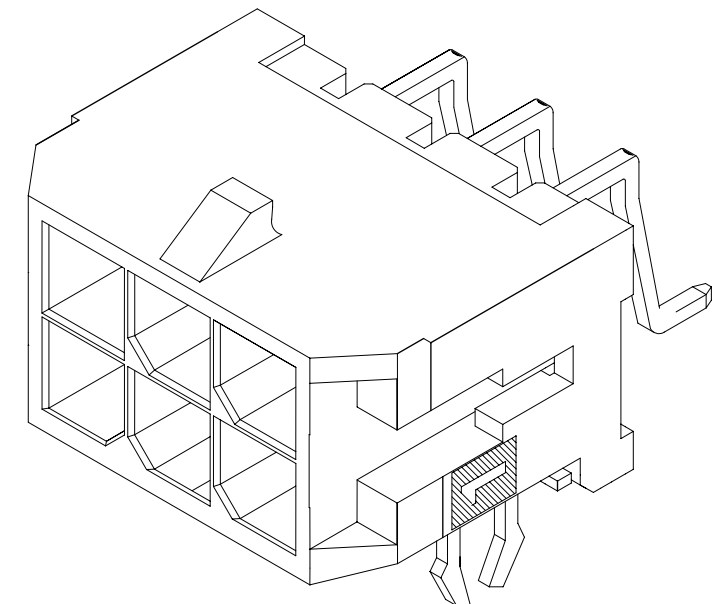
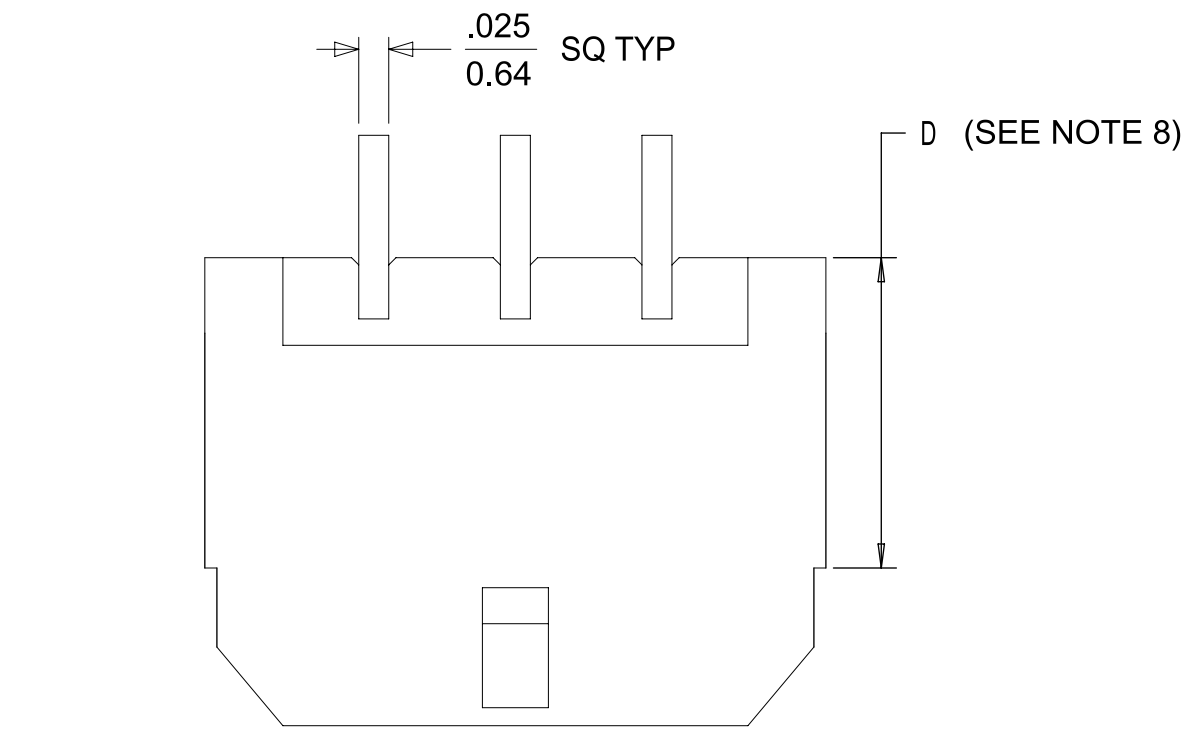




THE DATASHEET OF
430451806





PCB LAYOUT: COMPONENT SIDE
RECOMMEND PCB THICKNESS: .062/1.57

CIRCUIT "1" IDENTIFIED ON THIS SURFACE
(APPROX. LOCATION SHOWN FOR REF.)

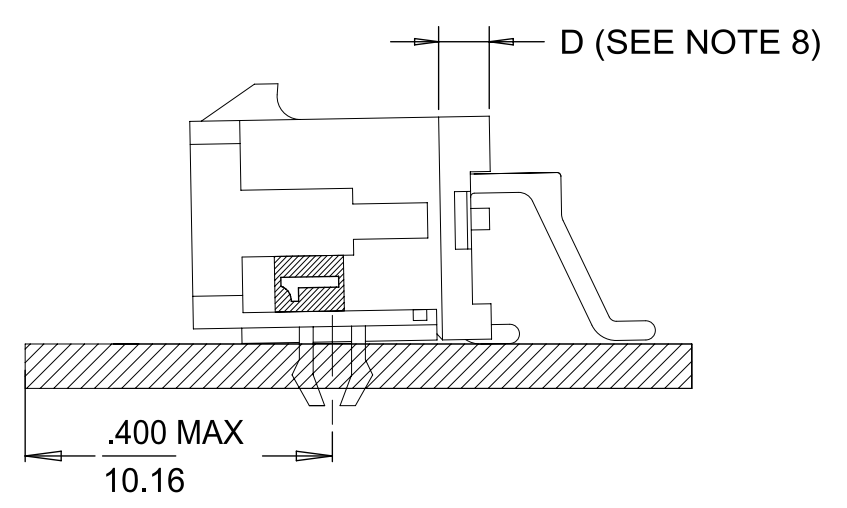
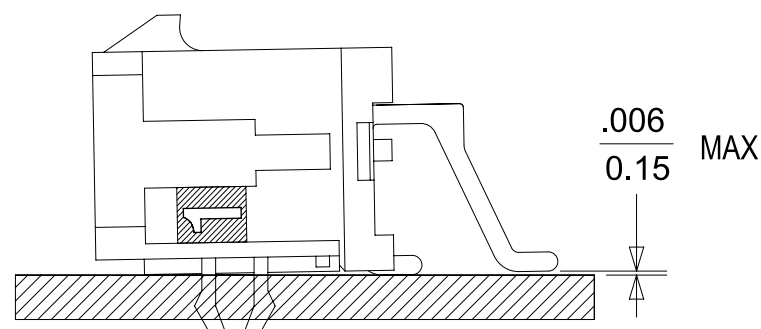
NOTE 10

CKTS	A	B	C
02	.262 6.65	NA	.169 4.30
04	.380 9.65	.118 3.00	.287 7.30
06	.498 12.65	.236 6.00	.405 10.30
08	.616 15.65	.354 9.00	.524 13.30
10	.734 18.65	.472 12.00	.642 16.30
12	.852 21.65	.591 15.00	.760 19.30
14	.970 24.65	.709 18.00	.878 22.30
16	1.088 27.65	.827 21.00	.996 25.30
18	1.206 30.65	.945 24.00	1.114 28.30
20	1.325 33.65	1.063 27.00	1.232 31.30
22	1.443 36.65	1.181 30.00	1.350 34.30
24	1.561 39.65	1.299 33.00	1.469 37.30

- NOTES:
- HOUSING MATERIAL: GLASS FILLED LIQUID CRYSTAL POLYMER, UL94V-0, COLOR: BLACK
TERMINAL MATERIAL: BRASS ALLOY
 - FINISH: A = .000060/(0.00152) MIN. REFLOWED MATTE TIN OVER .000050/(0.00127) MIN. NICKEL PLATE.
(FINISH IS BRIGHT IN APPEARANCE, THICKNESS AS APPLIED PRIOR TO REFLOW).
B = .000015/(0.00038) MIN. SELECT GOLD IN CONTACT AREA; .000100/(0.00254) MIN. SELECT MATTE TIN ON SOLDER TAILS; BOTH OVER .000050/(0.00127) MIN. NICKEL PLATE.
C = .000030/(0.00076) MIN. SELECT GOLD IN CONTACT AREA; .000100/(0.00254) MIN. SELECT MATTE TIN ON SOLDER TAILS; BOTH OVER .000050/(0.00127) MIN. NICKEL PLATE.
D = .000100/(0.00254) MIN. MATTE TIN OVER .000050/(0.00127) MIN. NICKEL PLATE.

- PRODUCT SPECIFICATION: PS-43045
- TAPE AND REEL PACK: SEE MOLEX DRAWING 430450001-PK
- MATES WITH MICRO FIT (3.0) RECEPTACLE SERIES 43025
- TO MINIMIZE INSERTION FORCE OF MOUNTING CLIPS DURING ROBOTIC PLACEMENT THE HOLE DIAMETER SHOULD BE INCREASED TO .108±.002 / 2.74±.05 AND THEN EVALUATED PER PLACEMENT EQUIPMENT.
- THE COPLANARITY DIMENSION IS ESTABLISHED BY PLACING THE ASSEMBLY ON A FLAT SURFACE. THE DISTANCE FROM THAT SURFACE TO THE BOTTOM OF ANY TERMINAL MUST NOT EXCEED .006/0.15
- CIRCUIT SIZES 2-6: "D" IS .265/6.74 FOR .010/0.25 STEP.
CIRCUIT SIZES 8-24: "D" IS .063/1.60 FOR .010/0.25 STEP.
- TO AVOID INTERFERENCE BETWEEN RECEPTACLE AND PCB, HEADER MUST BE PLACED WITHIN .400/(10.16) MAX. FROM EDGE OF PCB, AS SHOWN IN LOCATION DETAIL.
- METAL TAB MAY BE FLUSH WITH PCB. NO EXPOSED TRACES OR VIAS ALLOWED NEAR THESE AREAS.
- THIS PART CONFORMS TO CLASS B REQUIREMENTS OF COSMETIC SPECIFICATION PS-45499-002.
- TEXT ON PART IS FOR REFERENCE ONLY. TEXT AND TEXT LOCATION MAY VARY DEPENDING ON PART NUMBER AND/OR TOOL.

CKTS	FINISH A	VOID CKT	FINISH B	FINISH C	FINISH D
	MATERIAL NO:		MATERIAL NO:	MATERIAL NO:	MATERIAL NO:
02	43045-0206		43045-0207	43045-0208	43045-0303
04	43045-0406		43045-0407	43045-0408	43045-0503
06	43045-0606		43045-0607	43045-0608	43045-0703
08	43045-0806		43045-0807	43045-0808	43045-0903
10	43045-1006		43045-1007	43045-1008	43045-1103
12	43045-1206		43045-1207	43045-1208	43045-1303
14	43045-1406		43045-1407	43045-1408	43045-1503
16	43045-1606		43045-1607	43045-1608	43045-1703
18	43045-1806		43045-1807	43045-1808	43045-1903
20	43045-2006		43045-2007	43045-2008	43045-2103
22	43045-2206		43045-2207	43045-2208	43045-2303
24	43045-2406		43045-2407	43045-2408	43045-2503
12	43045-9206	3,4 9,10			
16	43045-9606	4,5 12,13			



THIS DRAWING CONTAINS INFORMATION THAT IS PROPRIETARY TO MOLEX ELECTRONIC TECHNOLOGIES, LLC AND SHOULD NOT BE USED WITHOUT WRITTEN PERMISSION

SYMBOLS	DIMENSION UNITS	SCALE	CURRENT REV/DESC: MICROFIT PK SPEC
	IN/MM	NTS	REF
GENERAL TOLERANCES (UNLESS SPECIFIED)	MM	INCH	EC NO: 611607
	4 PLACES ±	±	DRWN: SALHAMY 2018/12/26
4 PLACES ±	±	± 0.01	CHK'D: SSOUSEK 2019/08/09
	3 PLACES ±	± 0.014	APPR: FSMITH 2019/08/15
2 PLACES ±	± 0.25	±	INITIAL REVISION:
	1 PLACE ±	± 0.36	DRWN: CSLAFTER 2016/01/15
0 PLACES ±	±	±	APPR: FSMITH 2016/01/15
	ANGULAR TOL	± 0.5°	THIRD ANGLE PROJECTION
DRAFT WHERE APPLICABLE MUST REMAIN WITHIN DIMENSIONS	DRAWING SERIES		MATERIAL NUMBER CUSTOMER SHEET NUMBER
	C-SIZE	43045	SEE CHART GENERAL MARKET 1 OF 1

molex

MICRO FIT (3.0) RIGHT ANGLE SMT, CLIPS DUAL ROW HEADER

PRODUCT CUSTOMER DRAWING

DOCUMENT NUMBER: SD-43045-003 | DOC TYPE: PSD | DOC PART: 000 | REVISION: G7

DOCUMENT STATUS: P1 | RELEASE DATE: 2019/08/15 16:28:56

Looking for pricing, stock, or lifecycle information?

Click below to explore more details on WIN SOURCE:

 [View 430451806 on WIN SOURCE](#)

 [Molex, LLC Information](#)

Optimize Your Supply Chain with WIN SOURCE Solutions

-  Global Sourcing Solution
-  Obsolete Management
-  Cost Control Management
-  Shortage Management
-  Alternative Solution
-  Excess Inventory Management