



**THE DATASHEET OF  
LTC5592IUH#TRPBF**



# Dual 1.6GHz to 2.7GHz High Dynamic Range Downconverting Mixer

## FEATURES

- Conversion Gain: 8.3dB at 2.35GHz
- IIP3: 27.3dBm at 2.35GHz
- Noise Figure: 9.8dB at 2.35GHz
- 15.3dB NF Under 5dBm Blocking
- High Input P1dB
- 47dB Channel-to-Channel Isolation
- 3.3V Supply, 1.3W Power Consumption
- Low Power Mode for 0.8W Consumption
- Independent Channel Shutdown Control
- 50Ω Single-Ended RF and LO Inputs
- LO Input Matched In All Modes
- 0dBm LO Drive Level
- Small Package and Solution Size
- -40°C to 105°C Operation

## APPLICATIONS

- 3G/4G Wireless Infrastructure Diversity Receivers (LTE, W-CDMA, TD-SCDMA, WiMAX, GSM 1800)
- MIMO Infrastructure Diversity Receivers
- High Dynamic Range Downmixer Applications

LT, LT, LTC, LTM, Linear Technology and the Linear logo are registered trademarks of Linear Technology Corporation. All other trademarks are the property of their respective owners.

## DESCRIPTION

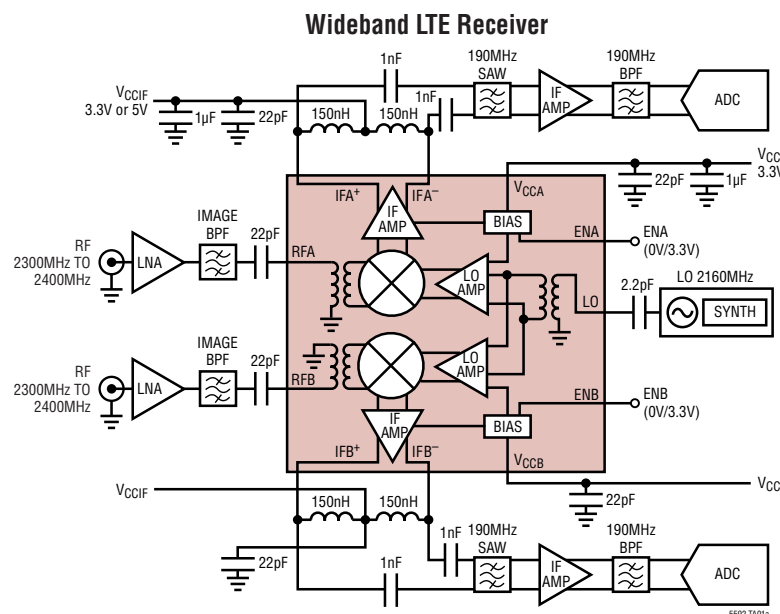
The **LTC5592** is part of a family of dual-channel high dynamic range, high gain downconverting mixers covering the 600MHz to 4.5GHz RF frequency range. **The LTC5592 is optimized for 1.6GHz to 2.7GHz RF applications. The LO frequency must fall within the 1.5GHz to 2.5GHz range for optimum performance.** A typical application is a LTE or WiMAX receiver with a 2.3GHz to 2.7GHz RF input and low side LO.

The LTC5592's high conversion gain and high dynamic range enable the use of lossy IF filters in high selectivity receiver designs, while minimizing the total solution cost, board space and system-level variation. A low current mode is provided for additional power savings and each of the mixer channels has independent shutdown control.

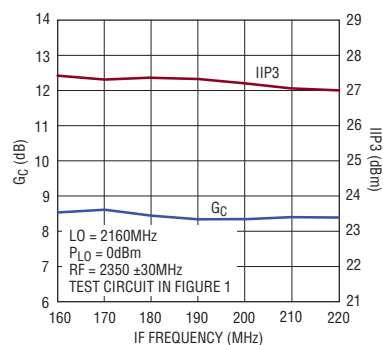
### High Dynamic Range Dual Downconverting Mixer Family

PART NUMBER	RF RANGE	LO RANGE
LTC5590	600MHz to 1.7GHz	700MHz to 1.5GHz
LTC5591	1.3GHz to 2.3GHz	1.4GHz to 2.1GHz
<b>LTC5592</b>	<b>1.6GHz to 2.7GHz</b>	<b>1.5GHz to 2.5GHz</b>
LTC5593	2.3GHz to 4.5GHz	2.1GHz to 4.2GHz

## TYPICAL APPLICATION



### Wideband Conversion Gain and IIP3 vs IF Frequency



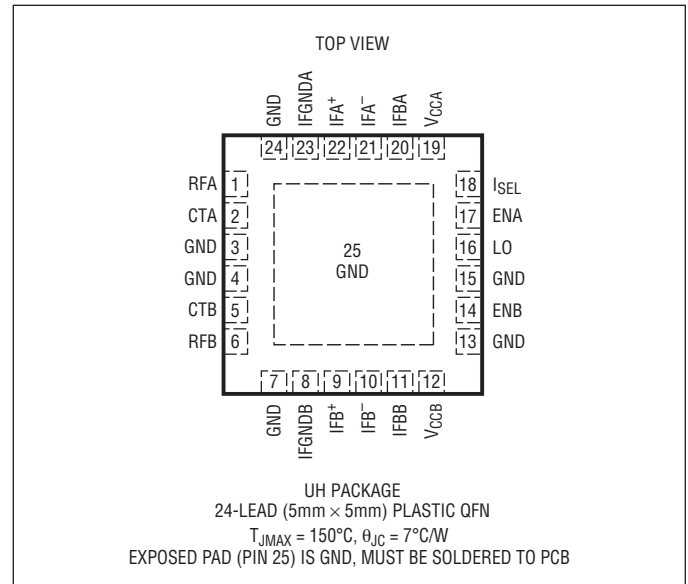
LTC5592 ONLY, MEASURED ON EVALUATION BOARD

## ABSOLUTE MAXIMUM RATINGS

(Note 1)

Supply Voltage ( $V_{CC}$ ) .....	4.0V
IF Supply Voltage ( $V_{CCIF}$ ) .....	5.5V
Enable Voltage (ENA, ENB) .....	-0.3V to $V_{CC} + 0.3V$
Bias Adjust Voltage (IFBA, IFBB) .....	-0.3V to $V_{CC} + 0.3V$
Power Select Voltage ( $I_{SEL}$ ) .....	-0.3V to $V_{CC} + 0.3V$
LO Input Power (1GHz to 3GHz) .....	9dBm
LO Input DC Voltage .....	$\pm 0.1V$
RFA, RFB Input Power (1GHz to 3GHz) .....	15dBm
RFA, RFB Input DC Voltage .....	$\pm 0.1V$
Operating Temperature Range ( $T_C$ ) .....	-40°C to 105°C
Storage Temperature Range .....	-65°C to 150°C
Junction Temperature ( $T_J$ ) .....	150°C

## PIN CONFIGURATION



## ORDER INFORMATION

LEAD FREE FINISH	TAPE AND REEL	PART MARKING	PACKAGE DESCRIPTION	TEMPERATURE RANGE
LTC5592IUH#PBF	LTC5592IUH#TRPBF	5592	24-Lead (5mm x 5mm) Plastic QFN	-40°C to 105°C

Consult LTC Marketing for parts specified with wider operating temperature ranges.

Consult LTC Marketing for information on non-standard lead based finish parts.

For more information on lead free part marking, go to: <http://www.linear.com/leadfree/>

For more information on tape and reel specifications, go to: <http://www.linear.com/tapeandreel/>

## DC ELECTRICAL CHARACTERISTICS

$V_{CC} = 3.3V$ ,  $V_{CCIF} = 3.3V$ , ENA = ENB = High,  $I_{SEL} = Low$ ,  $T_C = 25^{\circ}C$ ,

unless otherwise noted. Test circuit shown in Figure 1. (Note 2)

PARAMETER	CONDITIONS	MIN	TYP	MAX	UNITS
<b>Power Supply Requirements (<math>V_{CCA}</math>, <math>V_{CCB}</math>, <math>V_{CCIFA}</math>, <math>V_{CCIFB}</math>)</b>					
$V_{CCA}$ , $V_{CCB}$ Supply Voltage (Pins 12, 19)		3.1	3.3	3.5	V
$V_{CCIFA}$ , $V_{CCIFB}$ Supply Voltage (Pins 9, 10, 21, 22)		3.1	3.3	5.3	V
Mixer Supply Current (Pins 12, 19)	Both Channels Enabled		199	237	mA
IF Amplifier Supply Current (Pins 9, 10, 21, 22)	Both Channels Enabled		202	252	mA
Total Supply Current (Pins 9, 10, 12, 19, 21, 22)	Both Channels Enabled		401	489	mA
Total Supply Current – Shutdown	ENA = ENB = Low			500	$\mu A$
<b>Enable Logic Input (ENA, ENB) High = On, Low = Off</b>					
ENA, ENB Input High Voltage (On)		2.5			V
ENA, ENB Input Low Voltage (Off)				0.3	V
ENA, ENB Input Current	-0.3V to $V_{CC} + 0.3V$	-20		30	$\mu A$
Turn On Time			0.9		$\mu s$
Turn Off Time			1		$\mu s$

5592fa

**DC ELECTRICAL CHARACTERISTICS**

$V_{CC} = 3.3V$ ,  $V_{CCIF} = 3.3V$ ,  $ENA = ENB = High$ ,  $I_{SEL} = Low$ ,  $T_C = 25^\circ C$ , unless otherwise noted. Test circuit shown in Figure 1. (Note 2)

PARAMETER	CONDITIONS	MIN	TYP	MAX	UNITS
<b>Low Power Mode Logic Input (<math>I_{SEL}</math>) High = Low Power, Low = Normal Power Mode</b>					
$I_{SEL}$ Input High Voltage		2.5			V
$I_{SEL}$ Input Low Voltage				0.3	V
$I_{SEL}$ Input Current	$-0.3V$ to $V_{CC} + 0.3V$	-20		30	$\mu A$
<b>Low Power Mode Current Consumption (<math>I_{SEL} = High</math>)</b>					
Mixer Supply Current (Pins 12, 19)	Both Channels Enabled		130	156	mA
IF Amplifier Supply Current (Pins 9, 10, 21, 22)	Both Channels Enabled		122	156	mA
Total Supply Current (Pins 9, 10, 12, 19, 21, 22)	Both Channels Enabled		252	312	mA

**AC ELECTRICAL CHARACTERISTICS**

$V_{CC} = 3.3V$ ,  $V_{CCIF} = 3.3V$ ,  $ENA = ENB = High$ ,  $I_{SEL} = Low$ ,  $T_C = 25^\circ C$ ,  $P_{LO} = 0dBm$ ,  $P_{RF} = -3dBm$  ( $\Delta f = 2MHz$  for two tone IIP3 tests), unless otherwise noted. Test circuit shown in Figure 1. (Notes 2, 3, 4)

PARAMETER	CONDITIONS	MIN	TYP	MAX	UNITS
LO Input Frequency Range			1500 to 2500		MHz
RF Input Frequency Range	Low Side LO High Side LO		1600 to 2700 1600 to 2300		MHz MHz
IF Output Frequency Range	Requires External Matching		5 to 500		MHz
RF Input Return Loss	$Z_0 = 50\Omega$ , 1600MHz to 2700MHz		>13		dB
LO Input Return Loss	$Z_0 = 50\Omega$ , 1700MHz to 2500MHz		>17		dB
IF Output Impedance	Differential at 190MHz		$379\Omega    2.2pF$		R  C
LO Input Power	$f_{LO} = 1700MHz$ to 2500MHz	-4	0	6	dBm
LO to RF Leakage	$f_{LO} = 1700MHz$ to 2500MHz		<-34		dBm
LO to IF Leakage	$f_{LO} = 1700MHz$ to 2500MHz		<-37		dBm
RF to LO Isolation	$f_{RF} = 1600MHz$ to 2700MHz		>57		dB
RF to IF Isolation	$f_{RF} = 1600MHz$ to 2700MHz		>37		dB
Channel-to-Channel Isolation	$f_{RF} = 1600MHz$ to 2700MHz		>47		dB

**Low Side LO Downmixer Application:  $I_{SEL} = Low$ ,  $RF = 1900MHz$  to 2700MHz,  $IF = 190MHz$ ,  $f_{LO} = f_{RF} - f_{IF}$**

PARAMETER	CONDITIONS	MIN	TYP	MAX	UNITS
Conversion Gain	RF = 1950MHz RF = 2350MHz RF = 2550MHz	6.8	9.5 8.3 8.1		dB dB dB
Conversion Gain Flatness	RF = 2350 $\pm$ 30MHz, LO = 2160MHz, IF = 190 $\pm$ 30MHz		$\pm 0.14$		dB
Conversion Gain vs Temperature	$T_C = -40^\circ C$ to $105^\circ C$ , RF = 2350MHz		-0.006		dB/ $^\circ C$
Input 3rd Order Intercept	RF = 1950MHz RF = 2350MHz RF = 2550MHz	24.0	26.3 27.3 26.3		dBm dBm dBm
SSB Noise Figure	RF = 1950MHz RF = 2350MHz RF = 2550MHz		9.4 9.8 9.9		dB dB dB

## AC ELECTRICAL CHARACTERISTICS

$V_{CC} = 3.3V$ ,  $V_{CCIF} = 3.3V$ ,  $ENA = ENB = High$ ,  $T_C = 25^\circ C$ ,  $P_{LO} = 0dBm$ ,  $P_{RF} = -3dBm$  ( $\Delta f = 2MHz$  for two tone IIP3 tests), unless otherwise noted. Test circuit shown in Figure 1. (Notes 2, 3)

**Low Side LO Downmixer Application:  $I_{SEL} = Low$ ,  $RF = 1900MHz$  to  $2700MHz$ ,  $IF = 190MHz$ ,  $f_{LO} = f_{RF} - f_{IF}$**

PARAMETER	CONDITIONS	MIN	TYP	MAX	UNITS
SSB Noise Figure Under Blocking	$f_{RF} = 2400MHz$ , $f_{LO} = 2210MHz$ , $f_{BLOCK} = 2500MHz$ $P_{BLOCK} = 5dBm$ $P_{BLOCK} = 10dBm$		15.3		dB
			21.2		dB
2RF-2LO Output Spurious Product ( $f_{RF} = f_{LO} + f_{IF}/2$ )	$f_{RF} = 2255MHz$ at $-10dBm$ , $f_{LO} = 2160MHz$ , $f_{IF} = 190MHz$		-68		dBc
3RF-3LO Output Spurious Product ( $f_{RF} = f_{LO} + f_{IF}/3$ )	$f_{RF} = 2223.33MHz$ at $-10dBm$ , $f_{LO} = 2160MHz$ , $f_{IF} = 190MHz$		-74		dBc
Input 1dB Compression	$f_{RF} = 2350MHz$ , $V_{CCIF} = 3.3V$ $f_{RF} = 2350MHz$ , $V_{CCIF} = 5V$		11		dBm
			14.6		dBm

**Low Power Mode, Low Side LO Downmixer Application:  $I_{SEL} = High$ ,  $RF = 1900MHz$  to  $2700MHz$ ,  $IF = 190MHz$ ,  $f_{LO} = f_{RF} - f_{IF}$**

PARAMETER	CONDITIONS	MIN	TYP	MAX	UNITS
Conversion Gain	$RF = 2350MHz$		7.1		dB
Input 3rd Order Intercept	$RF = 2350MHz$		22.3		dBm
SSB Noise Figure	$RF = 2350MHz$		10.2		dB
Input 1dB Compression	$RF = 2350MHz$ , $V_{CCIF} = 3.3V$ $RF = 2350MHz$ , $V_{CCIF} = 5V$		11.3		dBm
			12.6		dBm

**High Side LO Downmixer Application:  $I_{SEL} = Low$ ,  $RF = 1600MHz$  to  $2300MHz$ ,  $IF = 190MHz$ ,  $f_{LO} = f_{RF} + f_{IF}$**

PARAMETER	CONDITIONS	MIN	TYP	MAX	UNITS
Conversion Gain	$RF = 1750MHz$		9.1		dB
	$RF = 1950MHz$		8.7		dB
	$RF = 2150MHz$		8.3		dB
Conversion Gain Flatness	$RF = 1950 \pm 30MHz$ , $LO = 2140MHz$ , $IF = 190 \pm 30MHz$		$\pm 0.33$		dB
Conversion Gain vs Temperature	$T_C = -40^\circ C$ to $105^\circ C$ , $RF = 1900MHz$		-0.005		dB/ $^\circ C$
Input 3rd Order Intercept	$RF = 1750MHz$		25.3		dBm
	$RF = 1950MHz$		25.4		dBm
	$RF = 2150MHz$		25.1		dBm
SSB Noise Figure	$RF = 1750MHz$		9.2		dB
	$RF = 1950MHz$		9.8		dB
	$RF = 2150MHz$		10.4		dB
SSB Noise Figure Under Blocking	$f_{RF} = 1950MHz$ , $f_{LO} = 2140MHz$ , $f_{BLOCK} = 1850MHz$ $P_{BLOCK} = 5dBm$ $P_{BLOCK} = 10dBm$		16.5		dB
			22.7		dB
2LO-2RF Output Spurious Product ( $f_{RF} = f_{LO} - f_{IF}/2$ )	$f_{RF} = 2045MHz$ at $-10dBm$ , $f_{LO} = 2140MHz$ , $f_{IF} = 190MHz$		-68		dBc
3LO-3RF Output Spurious Product ( $f_{RF} = f_{LO} - f_{IF}/3$ )	$f_{RF} = 2076.67MHz$ at $-10dBm$ , $f_{LO} = 2140MHz$ , $f_{IF} = 190MHz$		-75		dBc
Input 1dB Compression	$RF = 1950MHz$ , $V_{CCIF} = 3.3V$ $RF = 1950MHz$ , $V_{CCIF} = 5V$		10.6		dBm
			14.0		dBm

**Note 1:** Stresses beyond those listed under Absolute Maximum Ratings may cause permanent damage to the device. Exposure to any Absolute Maximum Rating condition for extended periods may affect device reliability and lifetime.

**Note 2:** The LTC5592 is guaranteed functional over the case operating temperature range of  $-40^\circ C$  to  $105^\circ C$  ( $\theta_{JC} = 7^\circ C/W$ ).

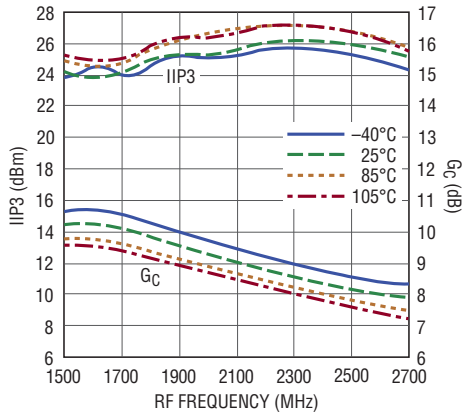
**Note 3:** SSB Noise Figure measured with a small-signal noise source, bandpass filter and 6dB matching pad on RF input, bandpass filter and 6dB matching pad on the LO input, and no other RF signals applied.

**Note 4:** Channel A to channel B isolation is measured as the relative IF output power of channel B to channel A, with the RF input signal applied to channel A. The RF input of channel B is  $50\Omega$  terminated and both mixers are enabled.

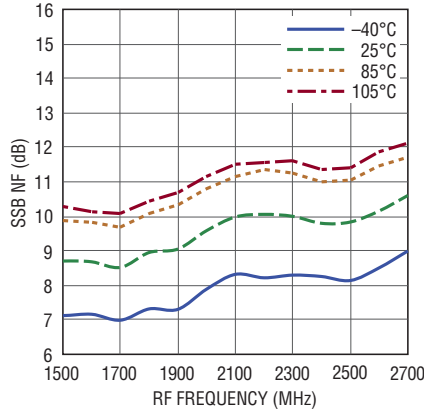
# TYPICAL AC PERFORMANCE CHARACTERISTICS Low Side LO

$V_{CC} = 3.3V$ ,  $V_{CCIF} = 3.3V$ , ENA = ENB = High, ISEL = Low,  $T_C = 25^\circ C$ ,  $P_{LO} = 0dBm$ ,  $P_{RF} = -3dBm$  (-3dBm/tone for two-tone IIP3 tests,  $\Delta f = 2MHz$ ), IF = 190MHz, unless otherwise noted. Test circuit shown in Figure 1.

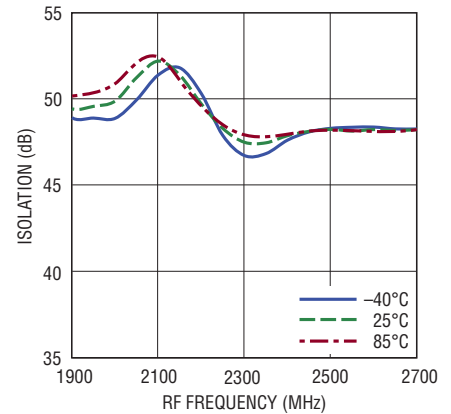
**Conversion Gain and IIP3 vs RF Frequency**



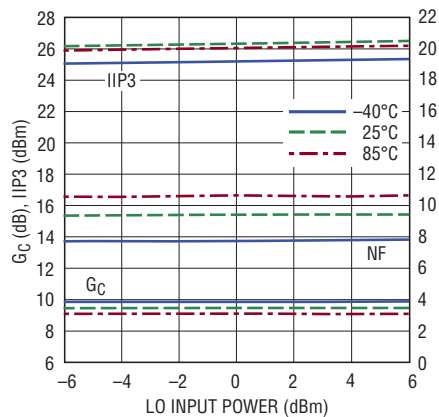
**SSB NF vs RF Frequency**



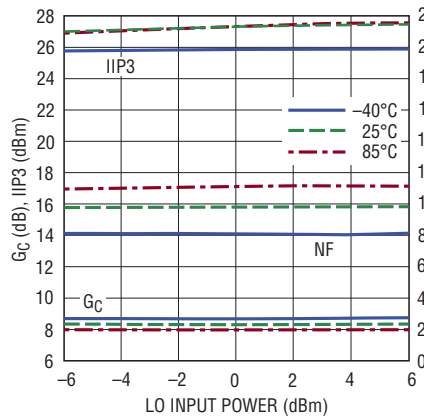
**Channel Isolation vs RF Frequency**



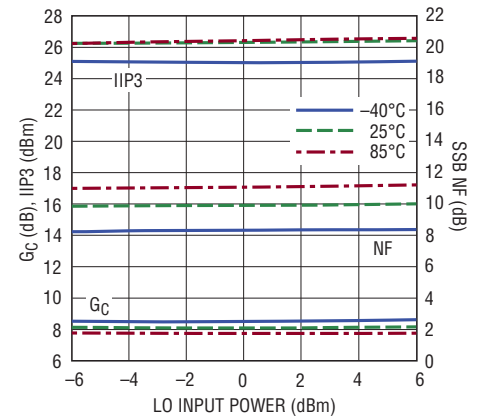
**1950MHz Conversion Gain, IIP3 and NF vs LO Power**



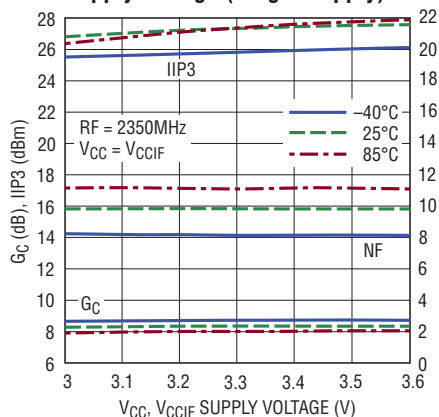
**2350MHz Conversion Gain, IIP3 and NF vs LO Power**



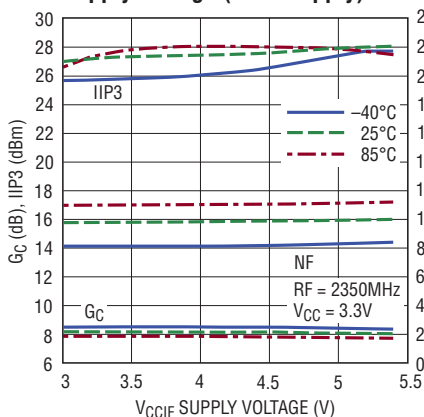
**2550MHz Conversion Gain, IIP3 and NF vs LO Power**



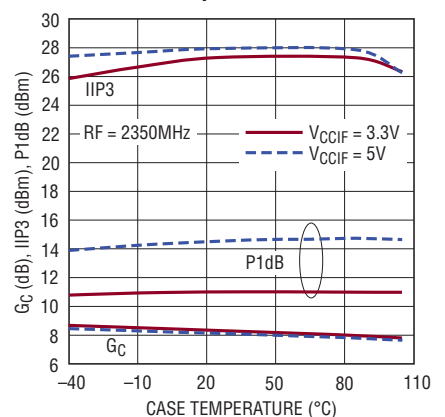
**Conversion Gain, IIP3 and NF vs Supply Voltage (Single Supply)**



**Conversion Gain, IIP3 and NF vs Supply Voltage (Dual Supply)**



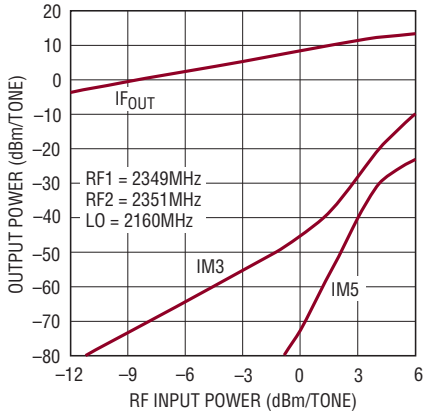
**Conversion Gain, IIP3 and RF Input P1dB vs Temperature**



**TYPICAL AC PERFORMANCE CHARACTERISTICS** Low Side LO

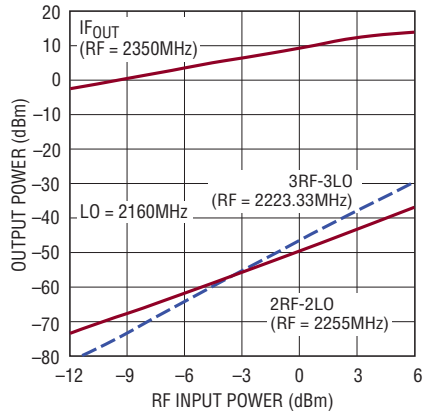
$V_{CC} = 3.3V$ ,  $V_{CCIF} = 3.3V$ , ENA = ENB = High, ISEL = Low,  $T_C = 25^\circ C$ ,  $P_{LO} = 0dBm$ ,  $P_{RF} = -3dBm$  (-3dBm/tone for two-tone IIP3 tests,  $\Delta f = 2MHz$ ), IF = 190MHz, unless otherwise noted. Test circuit shown in Figure 1.

**2-Tone IF Output Power, IM3 and IM5 vs RF Input Power**



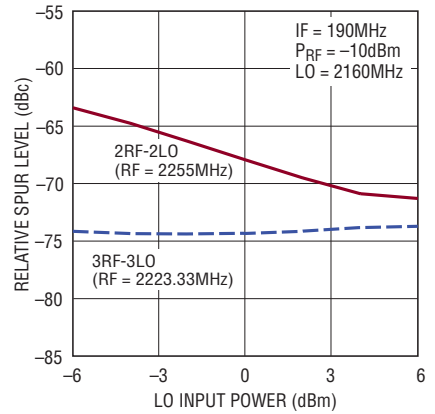
5592 G10

**Single-Tone IF Output Power, 2 x 2 and 3 x 3 Spurs vs RF Input Power**



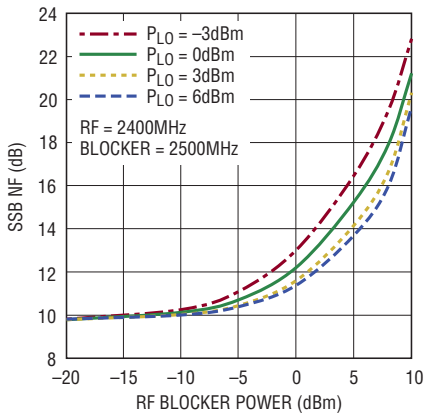
5592 G11

**2 x 2 and 3 x 3 Spur Suppression vs LO Input Power**



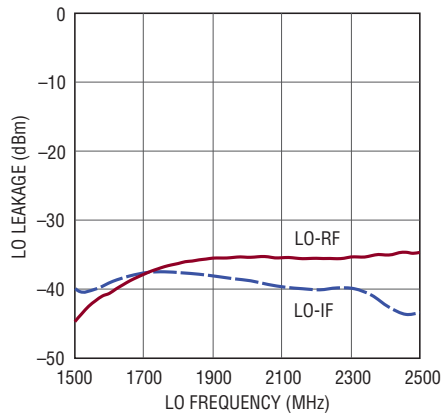
5592 G12

**SSB Noise Figure vs RF Blocker Power**



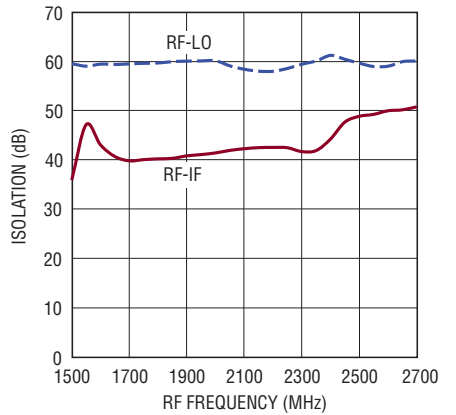
5592 G13

**LO Leakage vs LO Frequency**



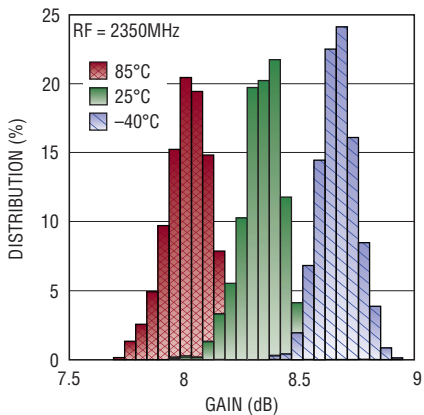
5592 G14

**RF Isolation vs RF Frequency**



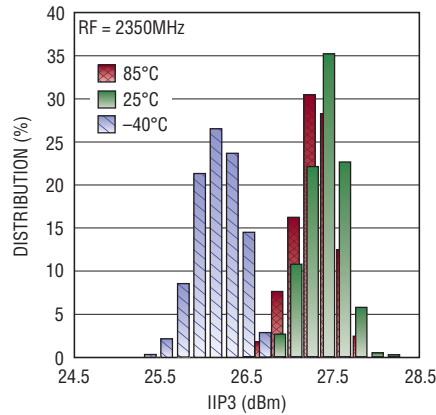
5592 G15

**Conversion Gain Distribution**



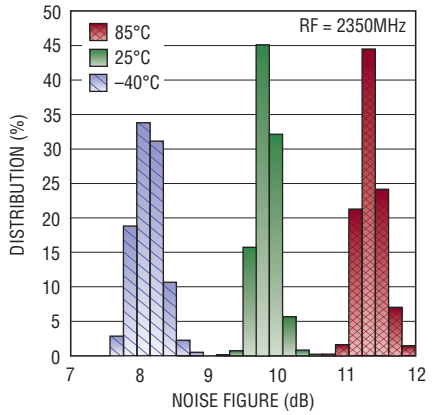
5592 G16

**IIP3 Distribution**



5592 G17

**SSB Noise Figure Distribution**



5592 G18

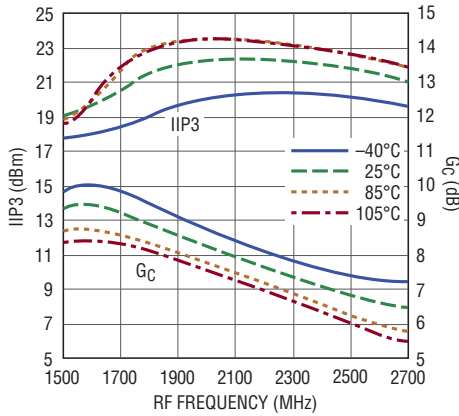
5592fa

# TYPICAL AC PERFORMANCE CHARACTERISTICS

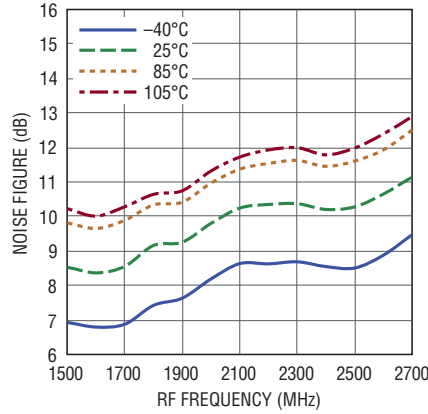
Low Power Mode, Low Side LO

$V_{CC} = 3.3V$ ,  $V_{CCIF} = 3.3V$ , ENA = ENB = High,  $I_{SEL} = High$ ,  $T_C = 25^\circ C$ ,  $P_{LO} = 0dBm$ ,  $P_{RF} = -3dBm$  ( $-3dBm/tone$  for two-tone IIP3 tests,  $\Delta f = 2MHz$ ),  $IF = 190MHz$ , unless otherwise noted. Test circuit shown in Figure 1.

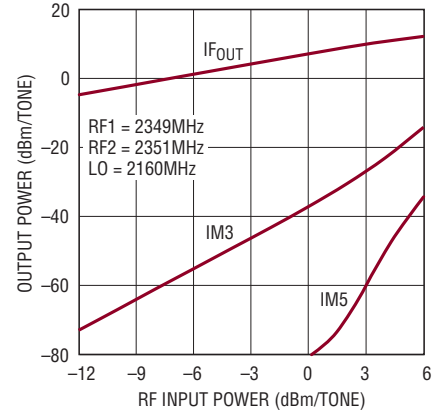
**Conversion Gain and IIP3 vs RF Frequency**



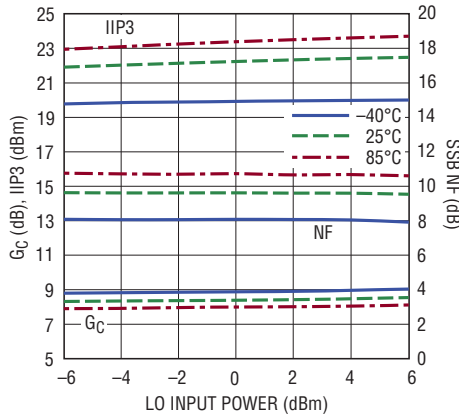
**SSB NF vs RF Frequency**



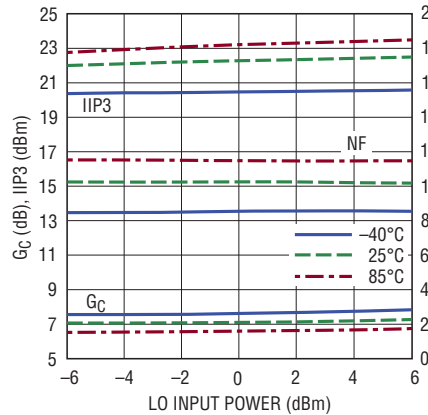
**2-Tone IF Output Power, IM3 and IM5 vs RF Input Power**



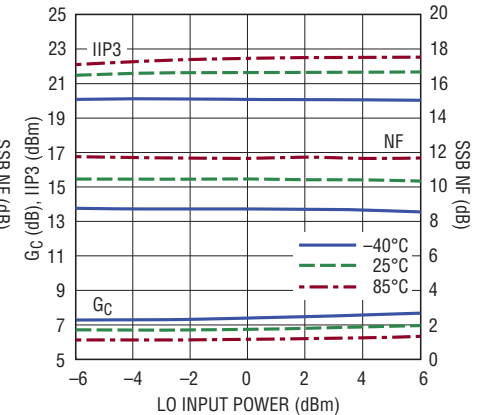
**1950MHz Conversion Gain, IIP3 and NF vs LO Power**



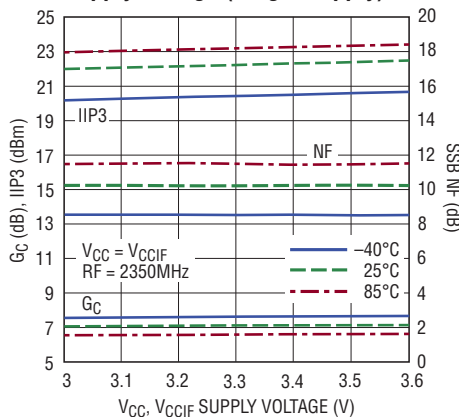
**2350MHz Conversion Gain, IIP3 and NF vs LO Power**



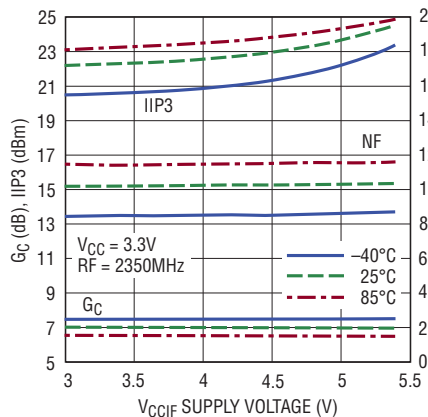
**2550MHz Conversion Gain, IIP3 and NF vs LO Power**



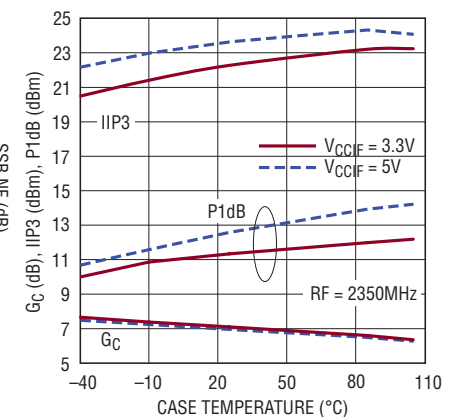
**Conversion Gain, IIP3 and NF vs Supply Voltage (Single Supply)**



**Conversion Gain, IIP3 and NF vs Supply Voltage (Dual Supply)**



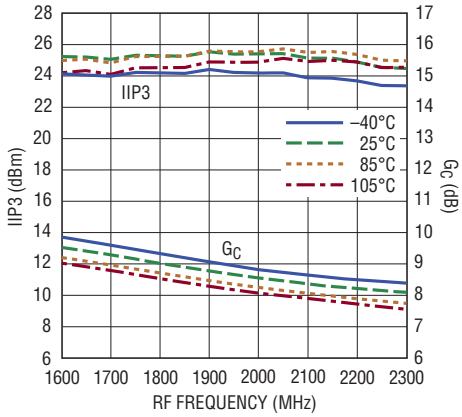
**Conversion Gain, IIP3 and RF Input P1dB vs Temperature**



**TYPICAL AC PERFORMANCE CHARACTERISTICS** High Side LO

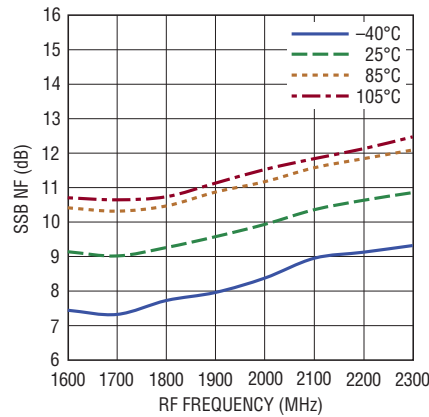
$V_{CC} = 3.3V$ ,  $V_{CCIF} = 3.3V$ , ENA = ENB = High,  $I_{SEL} = Low$ ,  $T_C = 25^\circ C$ ,  $P_{LO} = 0dBm$ ,  $P_{RF} = -3dBm$  (-3dBm/tone for two-tone IIP3 tests,  $\Delta f = 2MHz$ ),  $IF = 190MHz$ , unless otherwise noted. Test circuit shown in Figure 1.

**Conversion Gain and IIP3 vs RF Frequency**



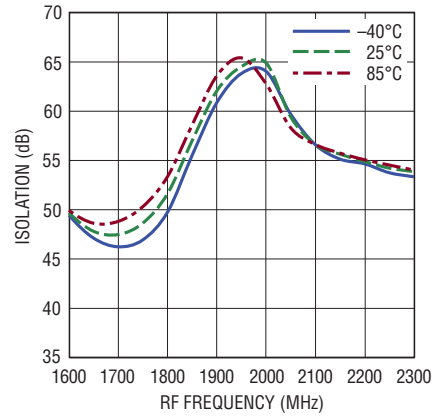
5592 G28

**SSB NF vs RF Frequency**



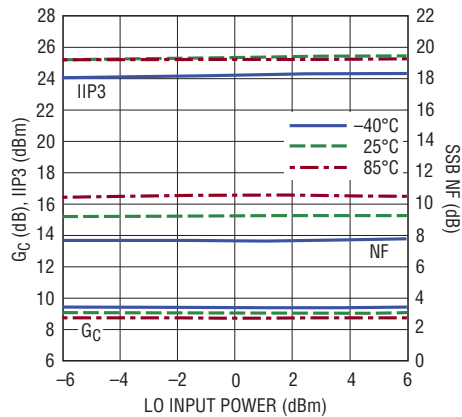
5592 G29

**Channel Isolation vs RF Frequency**



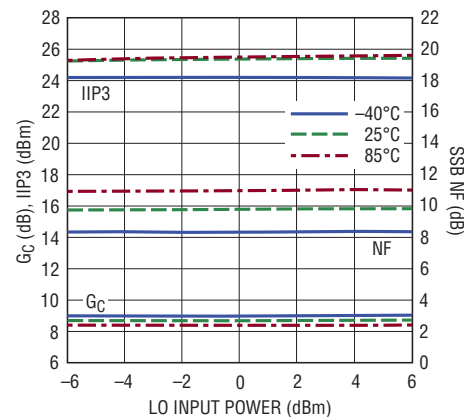
5592 G30

**1750MHz Conversion Gain, IIP3 and NF vs LO Power**



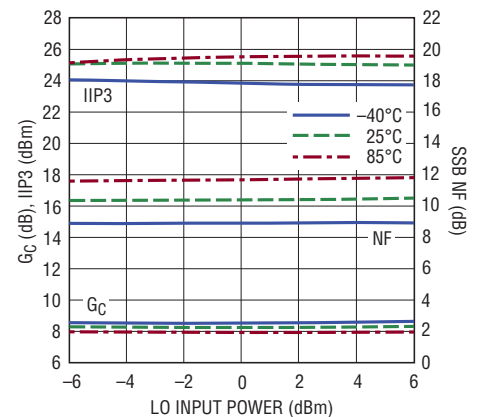
5592 G31

**1950MHz Conversion Gain, IIP3 and NF vs LO Power**



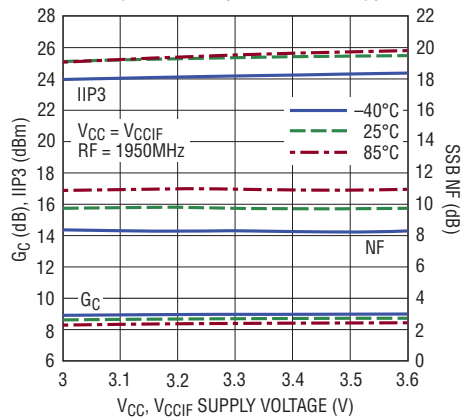
5592 G32

**2150MHz Conversion Gain, IIP3 and NF vs LO Power**



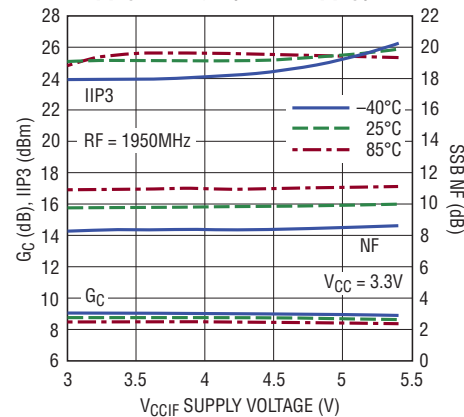
5592 G33

**Conversion Gain, IIP3 and NF vs Supply Voltage (Single Supply)**



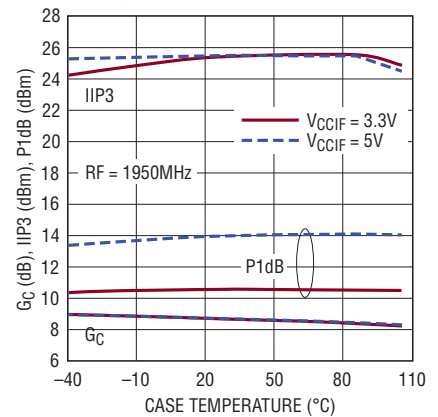
5592 G34

**Conversion Gain, IIP3 and NF vs Supply Voltage (Dual Supply)**



5592 G35

**Conversion Gain, IIP3 and RF Input P1dB vs Temperature**

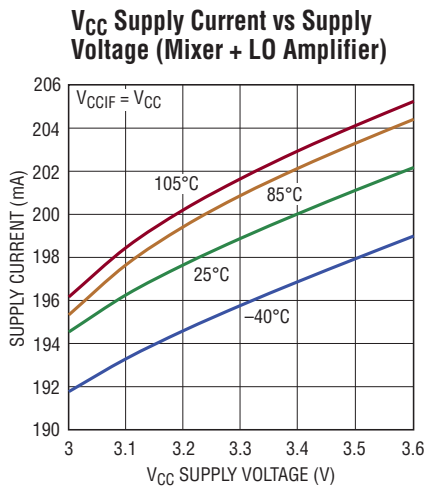


5592 G36

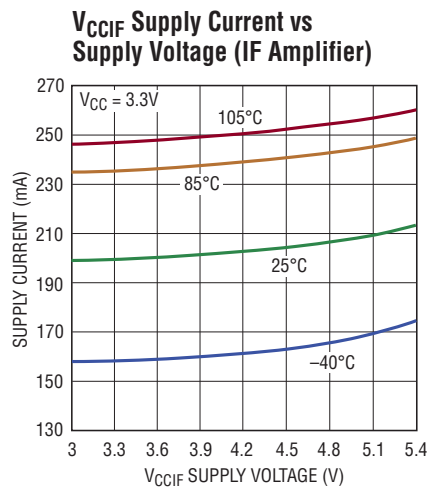
5592fa

## TYPICAL DC PERFORMANCE CHARACTERISTICS

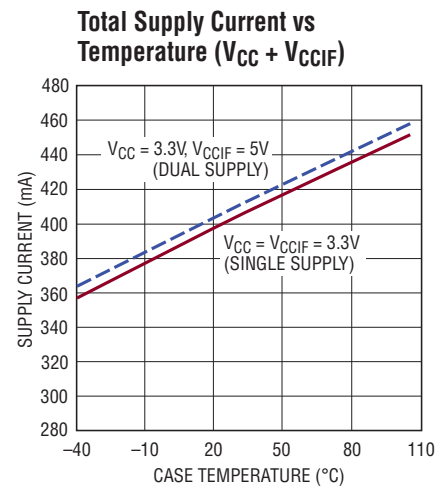
$I_{SEL}$  = Low,  $EN_A$  =  $EN_B$  = High, test circuit shown in Figure 1.



5592 G37

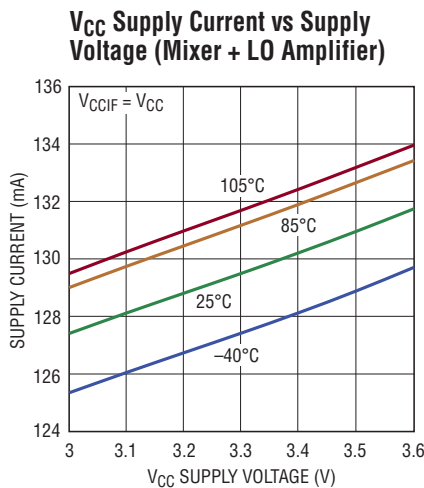


5592 G38

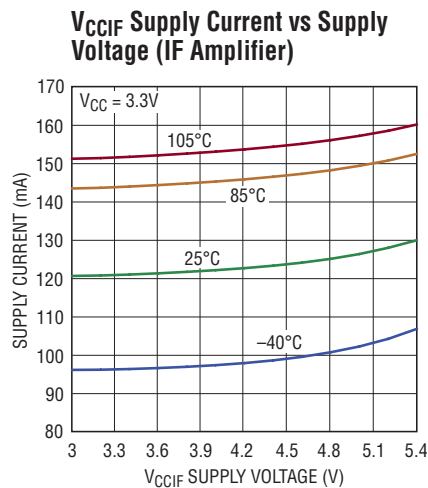


5592 G39

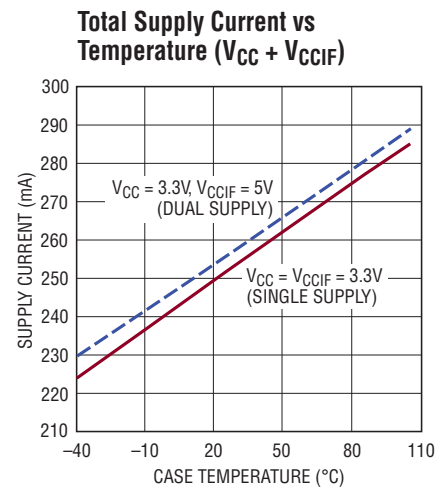
$I_{SEL}$  = High,  $EN_A$  =  $EN_B$  = High, test circuit shown in Figure 1.



5592 G40



5592 G41



5592 G42

## PIN FUNCTIONS

**RFA, RFB (Pins 1, 6):** Single-Ended RF Inputs for Channels A and B. These pins are internally connected to the primary sides of the RF input transformers, which have low DC resistance to ground. **Series DC-blocking capacitors should be used to avoid damage to the integrated transformer when DC voltage is present at the RF inputs.** The RF inputs are impedance matched when the LO input is driven with a  $0\pm 6$ dBm source between 1.5GHz and 2.5GHz and the channels are enabled.

**CTA, CTB (Pins 2, 5):** RF Transformer Secondary Center-Tap on Channels A and B. These pins may require bypass capacitors to ground to optimize IIP3 performance. Each pin has an internally generated bias voltage of 1.2V and must be DC-isolated from ground and  $V_{CC}$ .

**GND (Pins 3, 4, 7, 13, 15, 24, Exposed Pad Pin 25):** Ground. These pins must be soldered to the RF ground plane on the circuit board. The exposed pad metal of the package provides both electrical contact to ground and good thermal contact to the printed circuit board.

5592fa

## PIN FUNCTIONS

**IFGNDB, IFGNDA (Pins 8, 23):** DC Ground Returns for the IF Amplifiers. These pins must be connected to ground to complete the DC current paths for the IF amplifiers. Chip inductors may be used to tune LO-IF and RF-IF leakage. Typical DC current is 101mA for each pin.

**IFB<sup>+</sup>, IFB<sup>-</sup>, IFA<sup>-</sup>, IFA<sup>+</sup> (Pins 9, 10, 21, 22):** Open-Collector Differential Outputs for the IF Amplifiers of Channels B and A. These pins must be connected to a DC supply through impedance matching inductors, or transformer center-taps. Typical DC current consumption is 50.5mA into each pin.

**IFBB, IFBA (Pins 11, 20):** Bias Adjust Pins for the IF Amplifiers. These pins allow independent adjustment of the internal IF buffer currents for channels B and A, respectively. The typical DC voltage on these pins is 2.2V. If not used, these pins must be DC isolated from ground and V<sub>CC</sub>.

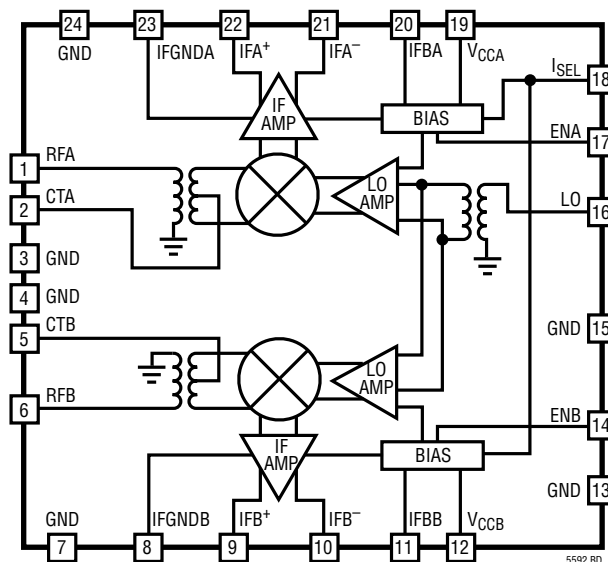
**V<sub>CCB</sub> and V<sub>CCA</sub> (Pins 12, 19):** Power Supply Pins for the LO Buffers and Bias Circuits. These pins must be connected to a regulated 3.3V supply with bypass capacitors located close to the pins. Typical current consumption is 99.5mA per pin.

**ENB, ENA (Pins 14, 17):** Enable Pins. These pins allow Channels B and A, respectively, to be independently enabled. An applied voltage of greater than 2.5V activates the associated channel while a voltage of less than 0.3V disables the channel. Typical input current is less than 10μA. These pins must not be allowed to float.

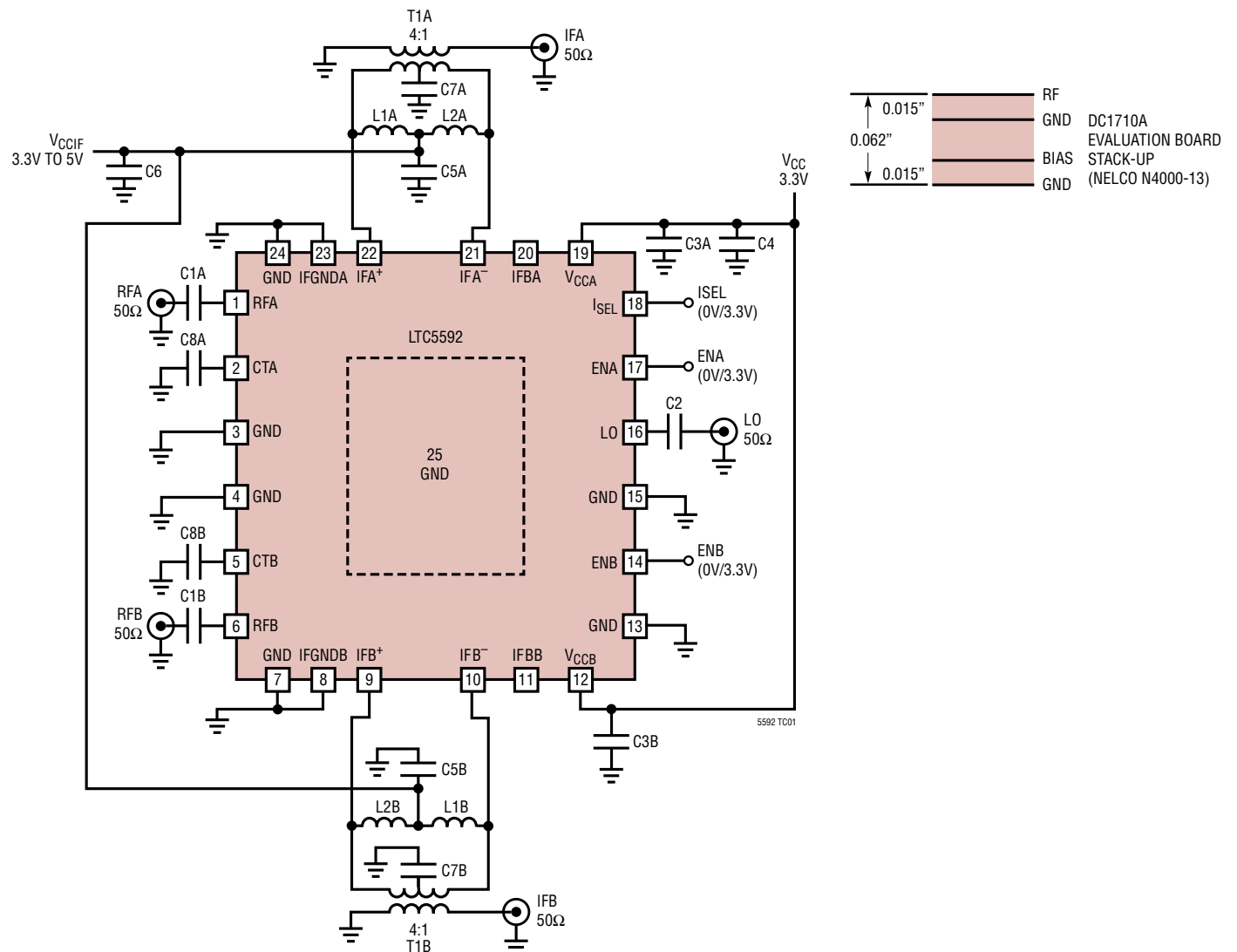
**LO (Pin 16):** Single-Ended Local Oscillator Input. This pin is internally connected to the primary side of the LO input transformer and has a low DC resistance to ground. **Series DC-blocking capacitors should be used to avoid damage to the integrated transformer when DC voltage present at LO input.** The LO input is internally matched to 50Ω for all states of ENA and ENB.

**I<sub>SEL</sub> (Pin 18):** Low Power Select Pin. When this pin is pulled low (<0.3V), both mixer channels are biased at the normal current level for best RF performance. When greater than 2.5V is applied, both channels operate at reduced current, which provides reasonable performance at lower power consumption. This pin must not be allowed to float.

## BLOCK DIAGRAM



# TEST CIRCUIT



**L1, L2 vs IF FREQUENCIES**

IF (MHz)	L1, L2 (nH)
140	270
190	150
240	100
300	56
380	33
450	22

REF DES	VALUE	SIZE	VENDOR
C1A, C1B	22pF	0402	AVX
C2	2.2pF	0402	AVX
C3A, C3B C5A, C5B	22pF	0402	AVX
C4, C6	1μF	0603	AVX
C7A, C7B	1000pF	0402	AVX
C8A, C8B	4.7pF	0402	AVX
L1A, L1B L2A, L2B	150nH	0603	Coilcraft
T1A, T1B	TC4-1W-7ALN+		Mini-Circuits

Figure 1. Standard Downmixer Test Circuit Schematic (190MHz IF)

## APPLICATIONS INFORMATION

### Introduction

The LTC5592 consists of two identical mixer channels driven by a common LO input signal. Each high linearity mixer consists of a passive double-balanced mixer core, IF buffer amplifier, LO buffer amplifier and bias/enable circuits. See the Pin Functions and Block Diagram sections for a description of each pin. Each of the mixers can be shutdown independently to reduce power consumption and low current mode can be selected that allows a trade-off between performance and power consumption. The RF and LO inputs are single-ended and are internally matched to 50Ω. Low side or high side LO injection can be used. The IF outputs are differential. The evaluation circuit, shown in Figure 1, utilizes bandpass IF output matching and an IF transformer to realize a 50Ω single-ended IF output. The evaluation board layout is shown in Figure 2.

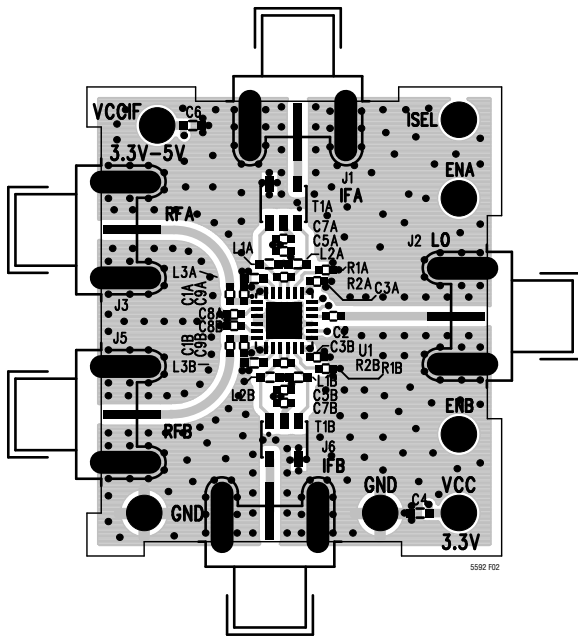


Figure 2. Evaluation Board Layout (DC1710A)

### RF Inputs

The RF inputs of channels A and B are identical. The RF input of channel A, shown in Figure 3, is connected to the primary winding of an integrated transformer. A 50Ω match is realized when a series external capacitor, C1A, is connected to the RF input. C1A is also needed for DC blocking if the source has DC voltage present, since the primary side of the RF transformer is internally DC-grounded. The DC resistance of the primary is approximately 3.9Ω.

The secondary winding of the RF transformer is internally connected to the channel A passive mixer core. The center-tap of the transformer secondary is connected to Pin 2 (CTA) to allow the connection of bypass capacitor, C8A. The value of C8A can be adjusted to improve channel isolation at specific RF frequencies with minor impact to conversion gain, linearity and noise performance. When used, it should be located within 2mm of Pin 2 for proper high frequency decoupling. The nominal DC voltage on the CTA pin is 1.2V.

For the RF inputs to be properly matched, the appropriate LO signal must be applied to the LO input. A broadband input match is realized with C1A = 22pF. The measured input return loss is shown in Figure 4 for LO frequencies of 1.7GHz, 2.16GHz and 2.5GHz. As shown in Figure 4, the RF input impedance is dependent on LO frequency, although a single value of C1A is adequate to cover the 1.7GHz to 2.5GHz RF band.

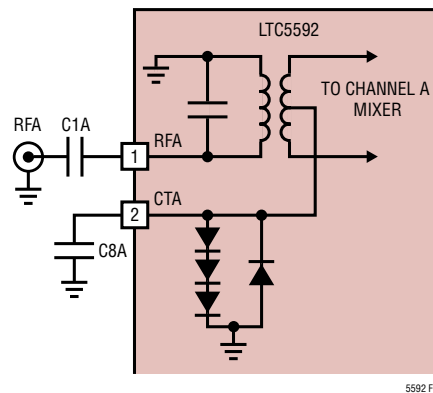


Figure 3. Channel A RF Input Schematic

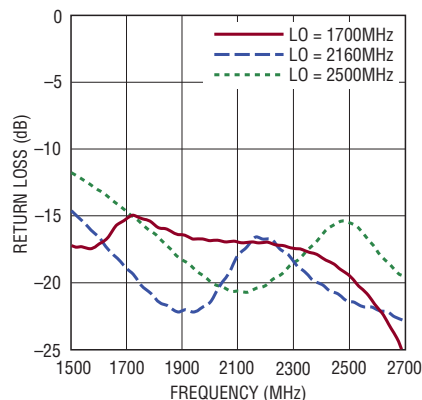


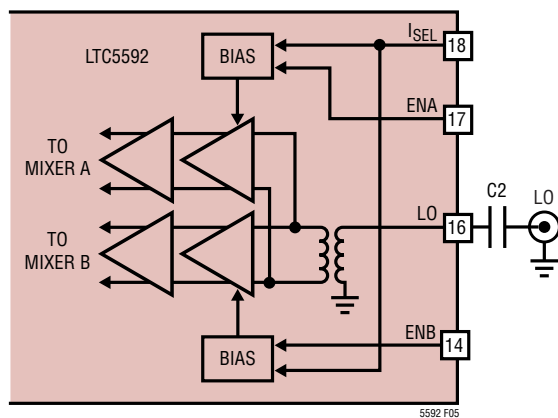
Figure 4. RF Port Return Loss

## APPLICATIONS INFORMATION

The RF input impedance and input reflection coefficient, versus RF frequency, are listed in Table 1. The reference plane for this data is Pin 1 of the IC, with no external matching, and the LO is driven at 2.16GHz.

**Table 1. RF Input Impedance and S11 (at Pin 1, No External Matching,  $f_{LO} = 2.16\text{GHz}$ )**

FREQUENCY (GHz)	RF INPUT IMPEDANCE	S11	
		MAG	ANGLE
1.6	66.0 + j6.8	0.15	20
1.7	62.4 + j0.5	0.11	2
1.8	57.9 - j3.8	0.08	-24
1.9	53.2 - j6.1	0.07	-59
2.0	48.5 - j8.8	0.09	-95
2.1	40.6 - j9.3	0.14	-130
2.2	35.0 - j0.1	0.18	-180
2.3	39.3 + j3.7	0.13	-201
2.4	41.2 + j3.9	0.11	-207
2.5	41.7 + j4.3	0.10	-211
2.6	42.8 + j4.1	0.09	-212
2.7	44.1 + j3.6	0.07	-213



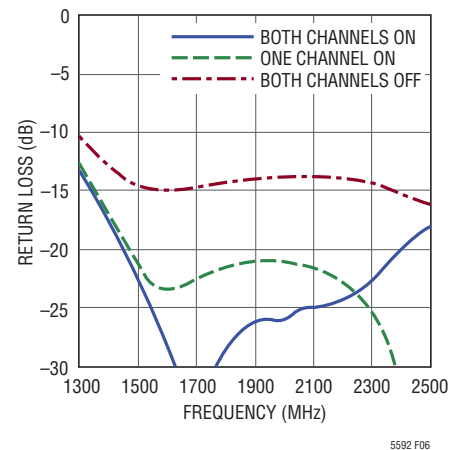
**Figure 5. LO Input Schematic**

### LO Input

The LO input, shown in Figure 5, is connected to the primary winding of an integrated transformer. A 50Ω impedance match is realized at the LO port by adding an external series capacitor, C2. This capacitor is also needed for DC blocking if the LO source has DC voltage present, since the primary side of the LO transformer is DC-grounded internally. The DC resistance of the primary is approximately 1.8Ω.

The secondary of the transformer drives a pair of high speed limiting differential amplifiers for channels A and B. The LTC5592's LO amplifiers are optimized for the 1.7GHz to 2.5GHz LO frequency range; however, LO frequencies outside this frequency range may be used with degraded performance.

The LO port is always 50Ω matched when  $V_{CC}$  is applied, even when one or both of the channels is disabled. This helps to reduce frequency pulling of the LO source when the mixer is switched between different operating states. Figure 6 illustrates the LO port return loss for the different operating modes.



**Figure 6. LO Input Return Loss**

The nominal LO input level is 0dBm, though the limiting amplifiers will deliver excellent performance over a ±6dBm input power range. Table 2 lists the LO input impedance and input reflection coefficient versus frequency.

**Table 2. LO Input Impedance vs Frequency (at Pin 16, No External Matching, ENA = ENB = High)**

FREQUENCY (GHz)	INPUT IMPEDANCE	S11	
		MAG	ANGLE
1.7	46.4 + j34.4	0.34	76
1.8	47.0 + j31.0	0.31	78
1.9	46.5 + j28.2	0.28	81
2.0	44.4 + j26.8	0.28	86
2.1	43.1 + j26.0	0.28	89
2.2	41.8 + j26.2	0.29	91
2.3	40.4 + j27.4	0.31	92
2.4	38.8 + j28.5	0.33	94
2.5	38.0 + j30.4	0.35	93

5592fa

## APPLICATIONS INFORMATION

### IF Outputs

The IF amplifiers in channels A and B are identical. The IF amplifier for channel A, shown in Figure 7, has differential open collector outputs (IFA<sup>+</sup> and IFA<sup>-</sup>), a DC ground return pin (IFGNDA), and a pin for adjusting the internal bias (IFBA). The IF outputs must be biased at the supply voltage (V<sub>CCIFA</sub>), which is applied through matching inductors L1A and L2A. Alternatively, the IF outputs can be biased through the center tap of a transformer (T1A). The common node of L1A and L2A can be connected to the center tap of the transformer. Each IF output pin draws approximately 50.5mA of DC supply current (101mA total). An external load resistor, R2A, can be used to improve impedance matching if desired.

IFGNDA (Pin 23) must be grounded or the amplifier will not draw DC current. Inductor L3A may improve LO-IF and RF-IF leakage performance in some applications, but is otherwise not necessary. Inductors should have small resistance for DC. High DC resistance in L3A will reduce the IF amplifier supply current, which will degrade RF performance.

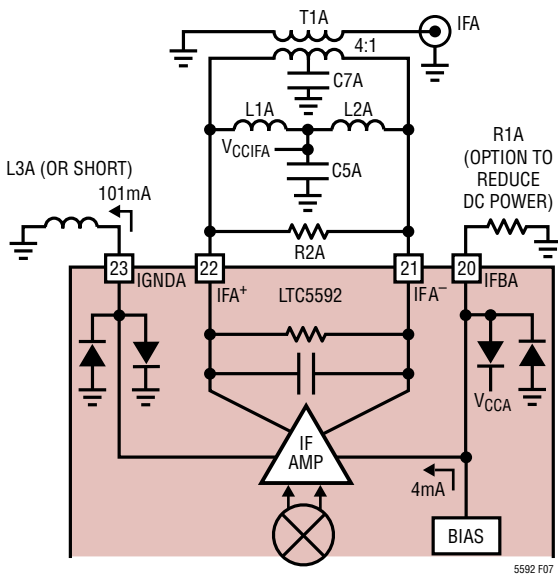


Figure 7. IF Amplifier Schematic with Bandpass Match

For optimum single-ended performance, the differential IF output must be combined through an external IF transformer or a discrete IF balun circuit. The evaluation board (see Figures 1 and 2) uses a 4:1 IF transformer for impedance transformation and differential to single-ended conversion. It is also possible to eliminate the IF transformer and drive differential filters or amplifiers directly.

The IF output impedance can be modeled as 379Ω in parallel with 2.2pF. The equivalent small-signal model, including bondwire inductance, is shown in Figure 8. Frequency-dependent differential IF output impedance is listed in Table 3. This data is referenced to the package pins (with no external components) and includes the effects of IC and package parasitics.

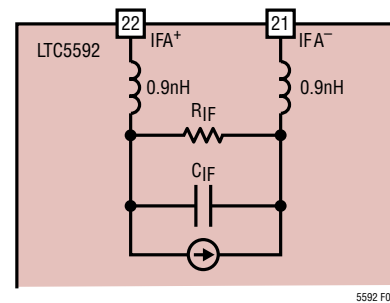


Figure 8. IF Output Small-Signal Model

### Bandpass IF Matching

The bandpass IF matching configuration, shown in Figures 1 and 7, is best suited for IF frequencies in the 90MHz to 500MHz range. Resistor R2A may be used to reduce the IF output resistance for greater bandwidth and inductors L1A and L2A resonate with the internal IF output capacitance at the desired IF frequency. The value of L1A, L2A can be estimated as follows:

$$L1A = L2A = \frac{1}{[(2\pi f_{IF})^2 \cdot 2 \cdot C_{IF}]}$$

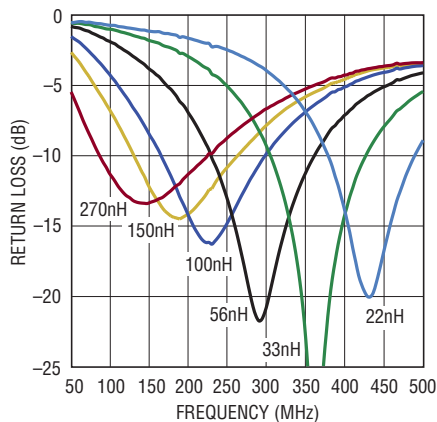
where C<sub>IF</sub> is the internal IF capacitance (listed in Table 3).

## APPLICATIONS INFORMATION

Values of L1A and L2A are tabulated in Figure 1 for various IF frequencies. The measured IF output return loss for bandpass IF matching is plotted in Figure 9.

**Table 3. IF Output Impedance vs Frequency**

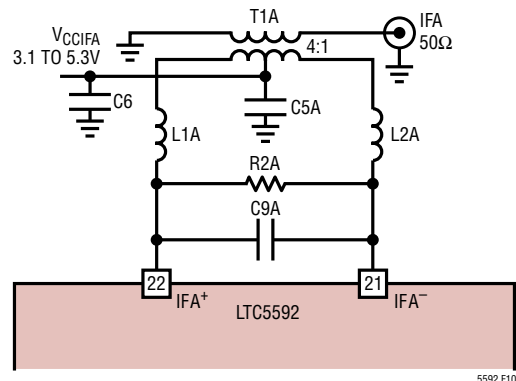
FREQUENCY (MHz)	DIFFERENTIAL OUTPUT IMPEDANCE ( $R_{IF} \parallel X_{IF} (C_{IF})$ )
90	403 $\parallel$ -j610 (2.9pF)
140	384 $\parallel$ -j474 (2.4pF)
190	379 $\parallel$ -j381 (2.2pF)
240	380 $\parallel$ -j316 (2.1pF)
300	377 $\parallel$ -j253 (2.1pF)
380	376 $\parallel$ -j210 (2.0pF)
450	360 $\parallel$ -j177 (2.0pF)



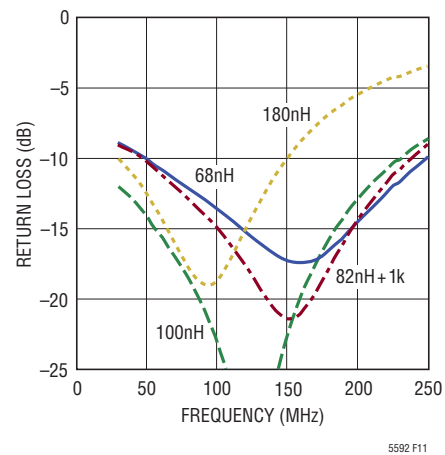
**Figure 9. IF Output Return Loss with Bandpass Matching**

### Lowpass IF Matching

For IF frequencies below 90MHz, the inductance values become unreasonably high and the lowpass topology shown in Figure 10 is preferred. This topology also can provide improved RF to IF and LO to IF isolation.  $V_{CCIFA}$  is supplied through the center tap of the 4:1 transformer. A lowpass impedance transformation is realized by shunt elements R2A and C9A (in parallel with the internal  $R_{IF}$  and  $C_{IF}$ ), and series inductors L1A and L2A. Resistor R2A is used to reduce the IF output resistance for greater bandwidth, or it can be omitted for the highest conversion gain. The final impedance transformation to 50Ω is realized by transformer T1A. The measured return loss is shown in Figure 11 for different values of inductance ( $C9A = \text{open}$ ). The case with 82nH inductors and a 1k load resistor (R2A) is also shown. The LTC5592 demo



**Figure 10. IF Output with Lowpass Matching**



**Figure 11. IF Output Return Loss with Lowpass Matching**

board (see Figure 2) has been laid out to accommodate this matching topology with only minor modifications.

### IF Amplifier Bias

The IF amplifier delivers excellent performance with  $V_{CCIF} = 3.3V$ , which allows a single supply to be used for  $V_{CC}$  and  $V_{CCIF}$ . At  $V_{CCIF} = 3.3V$ , the RF input P1dB of the mixer is limited by the output voltage swing. For higher P1dB, in this case, resistor R2A (Figure 7) can be used to reduce the output impedance and thus the voltage swing, thus improving P1dB. The trade-off for improved P1dB will be lower conversion gain.

With  $V_{CCIF}$  increased to 5V the P1dB increases by over 3dB, at the expense of higher power consumption. Mixer P1dB performance at 1950MHz and 2350MHz is tabulated in Table 4 for  $V_{CCIF}$  values of 3.3V and 5V. For the highest conversion gain, high-Q wire-wound chip inductors are recommended for L1A and L2A. Low cost multilayer chip inductors may be substituted, with a slight reduction in conversion gain.

## APPLICATIONS INFORMATION

**Table 4. Performance Comparison with  $V_{CCIF} = 3.3V$  and  $5V$**   
(RF = 1950MHz, High Side LO, IF = 190MHz)

$V_{CCIF}$ (V)	R2A ( $\Omega$ )	$I_{CCIF}$ (mA)	$G_C$ (dB)	P1dB (dBm)	IIP3 (dBm)	NF (dB)
3.3	Open	202	8.7	10.6	25.4	9.8
	1k	202	7.5	11.3	25.4	9.9
5	Open	209	8.7	14.0	25.5	9.9

(RF = 2350MHz, Low Side LO, IF = 190MHz)

$V_{CCIF}$ (V)	R2A ( $\Omega$ )	$I_{CCIF}$ (mA)	$G_C$ (dB)	P1dB (dBm)	IIP3 (dBm)	NF (dB)
3.3	Open	202	8.3	11.0	27.3	9.8
	1k	202	7.1	11.8	27.5	9.8
5	Open	209	8.1	14.6	28.0	10.0

The IFBA pin (Pin 20) is available for reducing the DC current consumption of the IF amplifier, at the expense of IIP3. The nominal DC voltage at Pin 20 is 2.1V, and this pin should be left open-circuited for optimum performance. The internal bias circuit produces a 4mA reference for the IF amplifier, which causes the amplifier to draw approximately 101mA. If resistor R1A is connected to Pin 20 as shown in Figure 7, a portion of the reference current can be shunted to ground, resulting in reduced IF amplifier current. For example, R1A = 1k will shunt away 1.5mA from Pin 20 and the IF amplifier current will be reduced by 25% to approximately 75.5mA. Table 5 summarizes RF performance versus IF amplifier current.

**Table 5. Mixer Performance with Reduced IF Amplifier Current**  
RF = 1950MHz, High Side LO, IF = 190MHz,  $V_{CC} = V_{CCIF} = 3.3V$

R1	$I_{CCIF}$ (mA)	$G_C$ (dB)	IIP3 (dBm)	P1dB (dBm)	NF (dB)
Open	202	8.7	25.4	10.6	9.8
4.7k $\Omega$	184	8.5	25.2	10.8	9.8
2.2k $\Omega$	170	8.4	24.8	10.9	9.7
1k $\Omega$	151	8.1	24.4	11.1	9.8

RF = 2350MHz, Low Side LO, IF = 190MHz,  $V_{CC} = V_{CCIF} = 3.3V$

R1	$I_{CCIF}$ (mA)	$G_C$ (dB)	IIP3 (dBm)	P1dB (dBm)	NF (dB)
Open	202	8.3	27.3	11.0	9.8
4.7k $\Omega$	184	8.1	26.8	11.2	9.8
2.2k $\Omega$	170	8.0	26.2	11.2	9.8
1k $\Omega$	151	7.7	25.4	11.3	9.8

### Low Power Mode

Both mixer channels can be set to low power mode using the  $I_{SEL}$  pin. This allows flexibility to select a reduced current mode of operation when lower RF performance is acceptable, reducing power consumption by 37%. Figure 12 shows a simplified schematic of the  $I_{SEL}$  pin interface. When  $I_{SEL}$  is set low (<0.3V), both channels operate at nominal DC current. When  $I_{SEL}$  is set high (>2.5V), the DC current in both channels is reduced, thus reducing power consumption. The performance in low power mode and normal power mode are compared in Table 6.

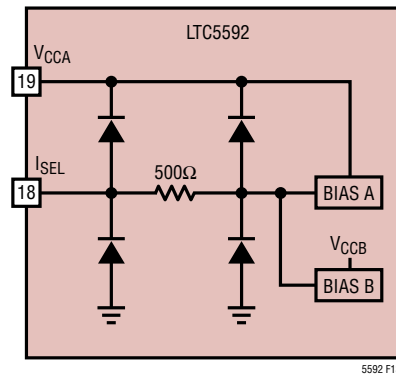


Figure 12.  $I_{SEL}$  Interface Schematic

**Table 6. Performance Comparison Between Different Power Modes**  
RF = 1950MHz, High Side LO, IF = 190MHz,  $V_{CC} = V_{CCIF} = 3.3V$

$I_{SEL}$	$I_{TOTAL}$ (mA)	$G_C$ (dB)	IIP3 (dBm)	P1dB (dBm)	NF (dB)
Low	401	8.7	25.4	10.6	9.8
High	252	7.4	21.2	10.9	10.2

RF = 2350MHz, Low Side LO, IF = 190MHz,  $V_{CC} = V_{CCIF} = 3.3V$

$I_{SEL}$	$I_{TOTAL}$ (mA)	$G_C$ (dB)	IIP3 (dBm)	P1dB (dBm)	NF (dB)
Low	401	8.3	27.3	11.0	9.8
High	252	7.1	22.3	11.3	10.2

## APPLICATIONS INFORMATION

### Enable Interface

Figure 13 shows a simplified schematic of the ENA pin interface (ENB is identical). To enable channel A, the ENA voltage must be greater than 2.5V. If the enable function is not required, the enable pin can be connected directly to  $V_{CC}$ . The voltage at the enable pin should never exceed the power supply voltage ( $V_{CC}$ ) by more than 0.3V. If this should occur, the supply current could be sourced through the ESD diode, potentially damaging the IC.

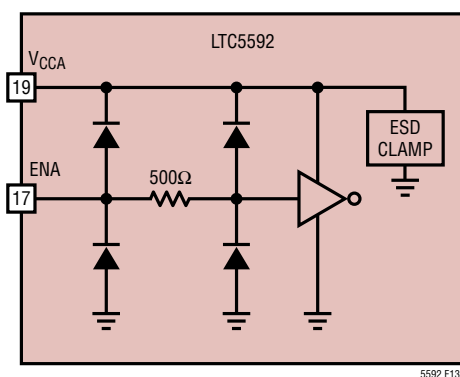


Figure 13. ENA Interface Schematic

The Enable pins must be pulled high or low. If left floating, the on/off state of the IC will be indeterminate. If a three-state condition can exist at the enable pins, then a pull-up or pull-down resistor must be used.

### Supply Voltage Ramping

Fast ramping of the supply voltage can cause a current glitch in the internal ESD protection circuits. Depending on the supply inductance, this could result in a supply voltage transient that exceeds the maximum rating. A supply voltage ramp time of greater than 1ms is recommended.

### Spurious Output Levels

Mixer spurious output levels versus harmonics of the RF and LO are tabulated in Tables 7 and 8 for frequencies up to 10GHz. The spur levels were measured on a standard evaluation board using the test circuit shown in Figure 1. The spur frequencies can be calculated using the following equation:

$$f_{\text{SPUR}} = (M \cdot f_{\text{RF}}) - (N \cdot f_{\text{LO}})$$

Table 7. IF Output Spur Levels (dBc), High Side LO

( $R_F = 1950\text{MHz}$ ,  $P_{RF} = -3\text{dBm}$ ,  $P_{LO} = 0\text{dBm}$ ,  $V_{CC} = V_{CCIF} = 3.3\text{V}$ ,  $T_C = 25^\circ\text{C}$ )

		N									
		0	1	2	3	4	5	6	7	8	9
M	0	–	–45.2	–46.9	–68.4	–70.8	–75.3	–72.0	–82.0		
	1	–51.0	0	–64.4	–54.5	–68.1	–66.3	–74.9	–72.2		
	2	–80.0	–80.9	–60.6	*	–81.4	*	*	*	*	*
	3	*	–83.5	*	–75.8	*	*	*	*	*	*
	4	*	*	*	*	*	*	*	*	*	*
	5	*	*	*	*	*	*	*	*	*	*
	6	*	*	*	*	*	*	*	*	*	*
	7	*	*	*	*	*	*	*	*	*	*
	8		*	*	*	*	*	*	*	*	*
	9			*	*	*	*	*	*	*	*
	10				*	*	*	*	*	*	*

\*Less than –90dBc

Table 8. IF Output Spur Levels (dBc), Low Side LO

( $R_F = 2350\text{MHz}$ ,  $P_{RF} = -3\text{dBm}$ ,  $P_{LO} = 0\text{dBm}$ ,  $V_{CC} = V_{CCIF} = 3.3\text{V}$ ,  $T_C = 25^\circ\text{C}$ )

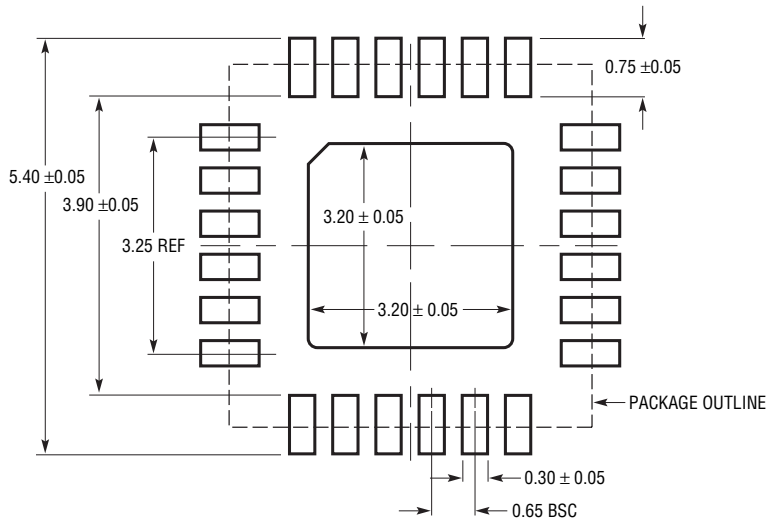
		N									
		0	1	2	3	4	5	6	7	8	9
M	0	–	–44.9	–46.2	–69.9	–69.7	–78.0	–71.9			
	1	–50.7	0	–63.1	–45.7	–67.0	–68.9	–71.1	–72.2	*	
	2	–77.8	–78.7	–66.5	*	–89.1	*	*	*	*	*
	3	*	*	*	–70.1	*	*	*	*	*	*
	4	*	*	*	*	*	*	*	*	*	*
	5	*	*	*	*	*	*	*	*	*	*
	6	*	*	*	*	*	*	*	*	*	*
	7		*	*	*	*	*	*	*	*	*
	8			*	*	*	*	*	*	*	*
	9				*	*	*	*	*	*	*
	10					*	*	*	*	*	*

\*Less than –90dBc

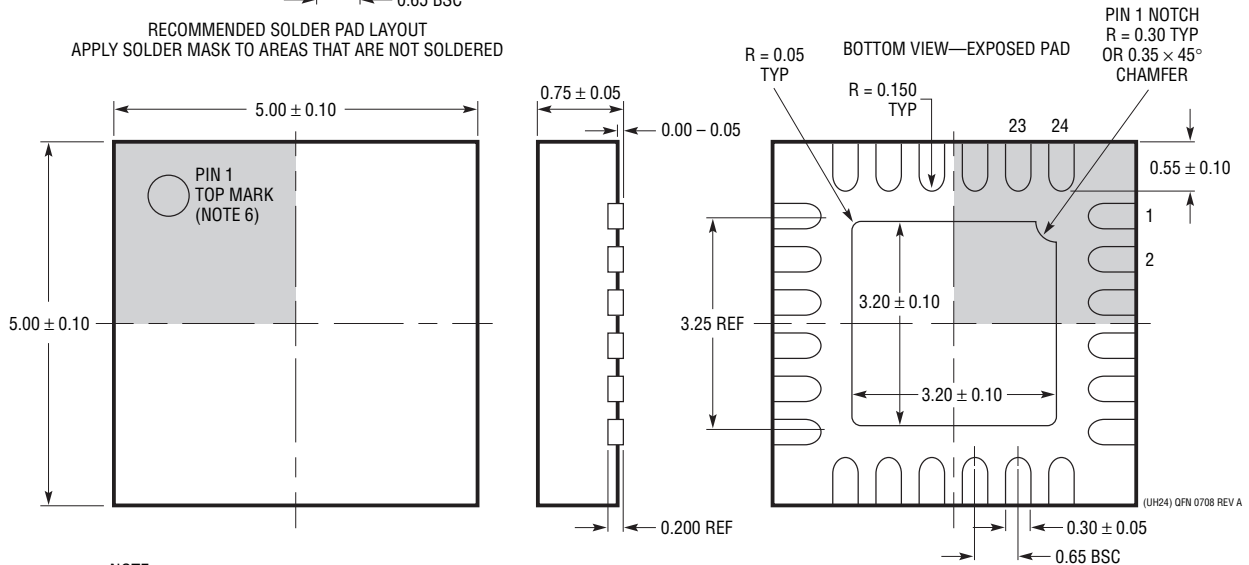
## PACKAGE DESCRIPTION

Please refer to <http://www.linear.com/designtools/packaging/> for the most recent package drawings.

**UH Package**  
**24-Lead Plastic QFN (5mm × 5mm)**  
 (Reference LTC DWG # 05-08-1747 Rev A)



RECOMMENDED SOLDER PAD LAYOUT  
 APPLY SOLDER MASK TO AREAS THAT ARE NOT SOLDERED



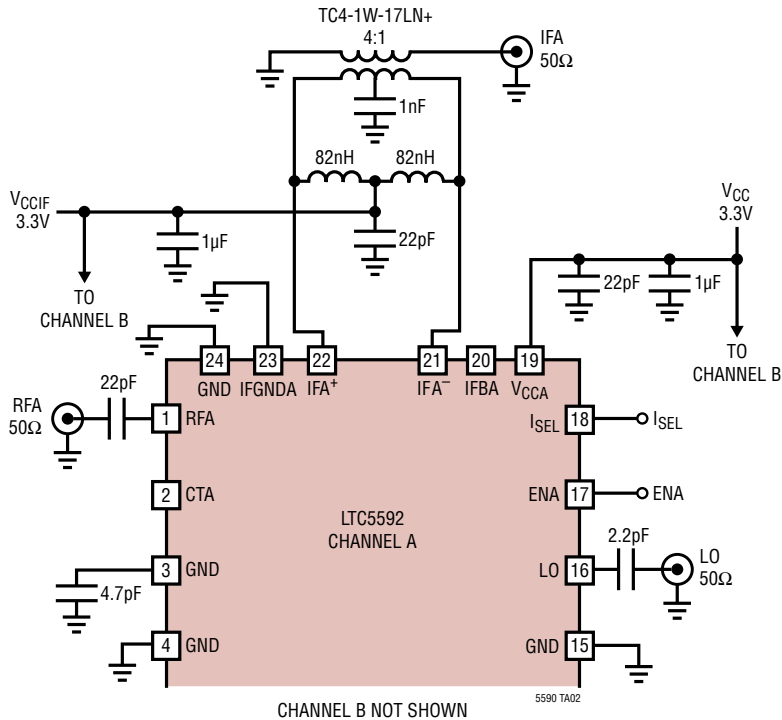
- NOTE:
1. DRAWING IS NOT A JEDEC PACKAGE OUTLINE
  2. DRAWING NOT TO SCALE
  3. ALL DIMENSIONS ARE IN MILLIMETERS
  4. DIMENSIONS OF EXPOSED PAD ON BOTTOM OF PACKAGE DO NOT INCLUDE MOLD FLASH. MOLD FLASH, IF PRESENT, SHALL NOT EXCEED 0.20mm ON ANY SIDE
  5. EXPOSED PAD SHALL BE SOLDER PLATED
  6. SHADED AREA IS ONLY A REFERENCE FOR PIN 1 LOCATION ON THE TOP AND BOTTOM OF PACKAGE

## REVISION HISTORY

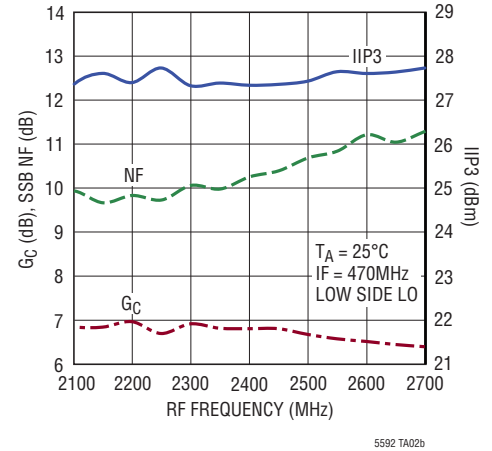
REV	DATE	DESCRIPTION	PAGE NUMBER
A	08/13	Changed LO lower frequency range from 1.7GHz to 1.5GHz.	1
		LO Input Frequency Range: changed lower frequency from 1700MHz to 1500MHz.	3
		RF Input Frequency Range, Low Side LO: changed lower frequency from 1900MHz to 1600MHz.	3
		Updated "Conversion Gain and IIP3 vs RF Frequency" and "SSB NF vs RF Frequency" plots to include 1500MHz frequency characteristics.	5
		Updated "LO Leakage vs LO Frequency" plot to include 1500MHz frequency characteristics.	6
		Updated "Conversion Gain and IIP3 vs RF Frequency" and "SSB NF vs RF Frequency" plots to include 1500MHz frequency characteristics.	7
		Pin Functions section RFA, RFB (Pins 1, 6): Changed LO input source lower frequency from 1.7GHz to 1.5GHz.	9
		Right column, last paragraph. Deleted sentence: "These LO frequencies correspond to lower, middle and upper values in the LO range."	12
		Figure 6, updated the LO Input Return Loss plot to include 1300MHz frequency characteristics.	13

## TYPICAL APPLICATION

Downconverting Mixer with 470MHz IF



Conversion Gain, NF and IIP3 vs RF Frequency





## RELATED PARTS

PART NUMBER	DESCRIPTION	COMMENTS
<b>Infrastructure</b>		
<a href="#">LTC5569</a>	300MHz to 4GHz, 3.3V Dual Active Downconverting Mixer	2dB Gain, 26.7dBm IIP3 and 11.7dB NF at 1950MHz, 3.3V/180mA Supply
<a href="#">LT5557</a>	400MHz to 3.8GHz, 3.3V Downconverting Mixer	2.9dB Gain, 24.7dBm IIP3 and 11.7dB NF at 1950MHz, 3.3V/82mA Supply
<a href="#">LTC6416</a>	2GHz 16-Bit ADC Buffer	40.25dBm OIP3 to 300MHz, Programmable Fast Recovery Output Clamping
<a href="#">LTC6412</a>	31dB Linear Analog VGA	35dBm OIP3 at 240MHz, Continuous Gain Range -14dB to 17dB
<a href="#">LTC554x</a>	600MHz to 4GHz Downconverting Mixer Family	8dB Gain, >25dBm IIP3, 10dB NF, 3.3V/200mA Supply
<a href="#">LT5554</a>	Ultralow Distort IF Digital VGA	48dBm OIP3 at 200MHz, 2dB to 18dB Gain Range, 0.125dB Gain Steps
<a href="#">LT5578</a>	400MHz to 2.7GHz Upconverting Mixer	27dBm OIP3 at 900MHz, 24.2dBm at 1.95GHz, Integrated RF Transformer
<a href="#">LT5579</a>	1.5GHz to 3.8GHz Upconverting Mixer	27.3dBm OIP3 at 2.14GHz, NF = 9.9dB, 3.3V Supply, Single-Ended LO and RF Ports
<b>RF Power Detectors</b>		
<a href="#">LT5581</a>	6GHz Low Power RMS Detector	40dB Dynamic Range, ±1dB Accuracy Over Temperature, 1.5mA Supply Current
<a href="#">LTC5582</a>	10GHz RMS Power Detector	40MHz to 10GHz, Up to 57dB Dynamic Range, ±0.5dB Accuracy Over Temperature
<a href="#">LTC5583</a>	Dual 6GHz RMS Power Detector	40MHz to 6GHz, Up to 60dB Dynamic Range, >40dB Channel-to-Channel Isolation
<b>ADCs</b>		
<a href="#">LTC2285</a>	14-Bit, 125MSPS Dual ADC	72.4dB SNR, >88dB SFDR, 790mW Power Consumption
<a href="#">LTC2185</a>	16-Bit, 125MSPS Dual ADC Ultralow Power	74.8dB SNR, 185mW/Channel Power Consumption
<a href="#">LTC2242-12</a>	12-Bit, 250MSPS ADC	65.4dB SNR, 78dB SFDR, 740mW Power Consumption

## Looking for pricing, stock, or lifecycle information?

Click below to explore more details on WIN SOURCE:

-  [View LTC5592IUH#TRPBF on WIN SOURCE](#)
-  [Analog Devices Inc. Information](#)

## Optimize Your Supply Chain with WIN SOURCE Solutions

-  Global Sourcing Solution
-  Obsolete Management
-  Cost Control Management
-  Shortage Management
-  Alternative Solution
-  Excess Inventory Management