



**THE DATASHEET OF  
LT5400BCMS8E-8#TRPBF**



## FEATURES

- Excellent Matching
  - A-Grade: 0.01% Matching
  - B-Grade: 0.025% Matching
- 0.2ppm/°C Matching Temperature Drift
- ±75V Operating Voltage (±80V Abs Max)
- 8ppm/°C Absolute Resistor Value Temperature Drift
- Long-Term Stability: <2ppm at 2000 Hrs
- -55°C to 150°C Operating Temperature
- 8-Lead MSOP Package

## APPLICATIONS

- Difference Amplifier
- Reference Divider
- Precision Summing/Subtracting

## DESCRIPTION

The **LT®5400** is a quad resistor network with excellent matching specifications over the entire temperature range. Matching is also specified when the LT5400 is configured in a difference amplifier. This enhanced matching specification guarantees CMRR performance to be up to 2× better than independently matched resistors.

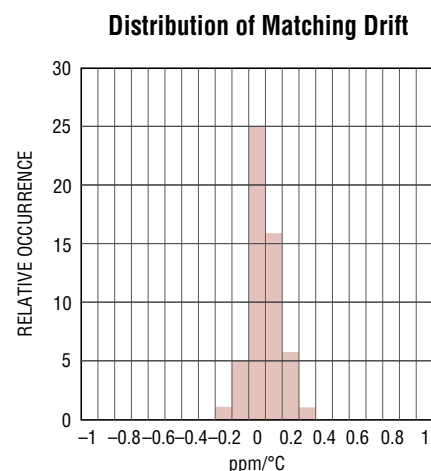
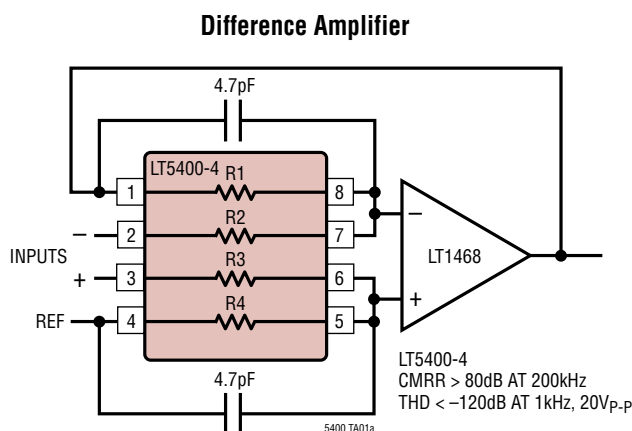
All four resistors can be accessed and biased independently, making the LT5400 a convenient and versatile choice for any application that can benefit from matched resistors.

These resistor networks provide precise ratiometric stability required in highly accurate difference amplifiers, voltage references and bridge circuits.

The LT5400 is available in a space-saving 8-pin MSOP package, and is specified over the temperature range of -55°C to 150°C.

LT, LT, LTC, LTM, Linear Technology and the Linear logo are registered trademarks of Linear Technology Corporation. All other trademarks are the property of their respective owners.

## TYPICAL APPLICATION



# LT5400

## ABSOLUTE MAXIMUM RATINGS

(Note 1)

Total Voltage (Across Any 2 Pins) (Note 2).....±80V

Power Dissipation (Each Resistor) (Note 3) ..... 800mW

Operating Temperature Range (Note 4)

LT5400C ..... -40°C to 85°C

LT5400I ..... -40°C to 85°C

LT5400H ..... -40°C to 125°C

LT5400MP ..... -55°C to 150°C

Specified Temperature Range (Note 4)

LT5400C ..... 0°C to 70°C

LT5400I ..... -40°C to 85°C

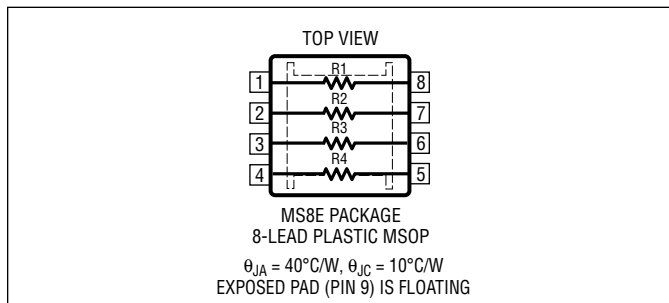
LT5400H ..... -40°C to 125°C

LT5400MP ..... -55°C to 150°C

Maximum Junction Temperature ..... 150°C

Storage Temperature Range..... -65°C to 150°C

## PIN CONFIGURATION



## AVAILABLE OPTIONS

| PART NUMBER | R2 = R3 (Ω) | R1 = R4 (Ω) | RESISTOR RATIO |
|-------------|-------------|-------------|----------------|
| LT5400-1    | 10k         | 10k         | 1:1            |
| LT5400-2    | 100k        | 100k        | 1:1            |
| LT5400-3    | 10k         | 100k        | 1:10           |
| LT5400-4    | 1k          | 1k          | 1:1            |
| LT5400-5    | 1M          | 1M          | 1:1            |
| LT5400-6    | 1k          | 5k          | 1:5            |
| LT5400-7    | 1.25k       | 5k          | 1:4            |
| LT5400-8    | 1k          | 9k          | 1:9            |

## ORDER INFORMATION

| LEAD FREE FINISH    | TAPE AND REEL         | PART MARKING* | PACKAGE DESCRIPTION | SPECIFIED TEMPERATURE RANGE |
|---------------------|-----------------------|---------------|---------------------|-----------------------------|
| LT5400ACMS8E-1#PBF  | LT5400ACMS8E-1#TRPBF  | LTFVR         | 8-Lead Plastic MSOP | 0°C to 70°C                 |
| LT5400BCMS8E-1#PBF  | LT5400BCMS8E-1#TRPBF  | LTFVR         | 8-Lead Plastic MSOP | 0°C to 70°C                 |
| LT5400AIMS8E-1#PBF  | LT5400AIMS8E-1#TRPBF  | LTFVR         | 8-Lead Plastic MSOP | -40°C to 85°C               |
| LT5400BIMS8E-1#PBF  | LT5400BIMS8E-1#TRPBF  | LTFVR         | 8-Lead Plastic MSOP | -40°C to 85°C               |
| LT5400AHMS8E-1#PBF  | LT5400AHMS8E-1#TRPBF  | LTFVR         | 8-Lead Plastic MSOP | -40°C to 125°C              |
| LT5400BHMS8E-1#PBF  | LT5400BHMS8E-1#TRPBF  | LTFVR         | 8-Lead Plastic MSOP | -40°C to 125°C              |
| LT5400BMPMS8E-1#PBF | LT5400BMPMS8E-1#TRPBF | LTFVR         | 8-Lead Plastic MSOP | -55°C to 150°C              |

5400fc

## ORDER INFORMATION

|                     |                       |       |                     |                |
|---------------------|-----------------------|-------|---------------------|----------------|
| LT5400ACMS8E-2#PBF  | LT5400ACMS8E-2#TRPBF  | LTGBG | 8-Lead Plastic MSOP | 0°C to 70°C    |
| LT5400BCMS8E-2#PBF  | LT5400BCMS8E-2#TRPBF  | LTGBG | 8-Lead Plastic MSOP | 0°C to 70°C    |
| LT5400AIMS8E-2#PBF  | LT5400AIMS8E-2#TRPBF  | LTGBG | 8-Lead Plastic MSOP | -40°C to 85°C  |
| LT5400BIMS8E-2#PBF  | LT5400BIMS8E-2#TRPBF  | LTGBG | 8-Lead Plastic MSOP | -40°C to 85°C  |
| LT5400AHMS8E-2#PBF  | LT5400AHMS8E-2#TRPBF  | LTGBG | 8-Lead Plastic MSOP | -40°C to 125°C |
| LT5400BHMS8E-2#PBF  | LT5400BHMS8E-2#TRPBF  | LTGBG | 8-Lead Plastic MSOP | -40°C to 125°C |
| LT5400BMPMS8E-2#PBF | LT5400BMPMS8E-2#TRPBF | LTGBG | 8-Lead Plastic MSOP | -55°C to 150°C |
| LT5400ACMS8E-3#PBF  | LT5400ACMS8E-3#TRPBF  | LTGBH | 8-Lead Plastic MSOP | 0°C to 70°C    |
| LT5400BCMS8E-3#PBF  | LT5400BCMS8E-3#TRPBF  | LTGBH | 8-Lead Plastic MSOP | 0°C to 70°C    |
| LT5400AIMS8E-3#PBF  | LT5400AIMS8E-3#TRPBF  | LTGBH | 8-Lead Plastic MSOP | -40°C to 85°C  |
| LT5400BIMS8E-3#PBF  | LT5400BIMS8E-3#TRPBF  | LTGBH | 8-Lead Plastic MSOP | -40°C to 85°C  |
| LT5400AHMS8E-3#PBF  | LT5400AHMS8E-3#TRPBF  | LTGBH | 8-Lead Plastic MSOP | -40°C to 125°C |
| LT5400BHMS8E-3#PBF  | LT5400BHMS8E-3#TRPBF  | LTGBH | 8-Lead Plastic MSOP | -40°C to 125°C |
| LT5400BMPMS8E-3#PBF | LT5400BMPMS8E-3#TRPBF | LTGBH | 8-Lead Plastic MSOP | -55°C to 150°C |
| LT5400ACMS8E-4#PBF  | LT5400ACMS8E-4#TRPBF  | LTGCF | 8-Lead Plastic MSOP | 0°C to 70°C    |
| LT5400BCMS8E-4#PBF  | LT5400BCMS8E-4#TRPBF  | LTGCF | 8-Lead Plastic MSOP | 0°C to 70°C    |
| LT5400AIMS8E-4#PBF  | LT5400AIMS8E-4#TRPBF  | LTGCF | 8-Lead Plastic MSOP | -40°C to 85°C  |
| LT5400BIMS8E-4#PBF  | LT5400BIMS8E-4#TRPBF  | LTGCF | 8-Lead Plastic MSOP | -40°C to 85°C  |
| LT5400AHMS8E-4#PBF  | LT5400AHMS8E-4#TRPBF  | LTGCF | 8-Lead Plastic MSOP | -40°C to 125°C |
| LT5400BHMS8E-4#PBF  | LT5400BHMS8E-4#TRPBF  | LTGCF | 8-Lead Plastic MSOP | -40°C to 125°C |
| LT5400BMPMS8E-4#PBF | LT5400BMPMS8E-4#TRPBF | LTGCF | 8-Lead Plastic MSOP | -55°C to 150°C |
| LT5400ACMS8E-5#PBF  | LT5400ACMS8E-5#TRPBF  | LTGCG | 8-Lead Plastic MSOP | 0°C to 70°C    |
| LT5400BCMS8E-5#PBF  | LT5400BCMS8E-5#TRPBF  | LTGCG | 8-Lead Plastic MSOP | 0°C to 70°C    |
| LT5400AIMS8E-5#PBF  | LT5400AIMS8E-5#TRPBF  | LTGCG | 8-Lead Plastic MSOP | -40°C to 85°C  |
| LT5400BIMS8E-5#PBF  | LT5400BIMS8E-5#TRPBF  | LTGCG | 8-Lead Plastic MSOP | -40°C to 85°C  |
| LT5400BCMS8E-6#PBF  | LT5400BCMS8E-6#TRPBF  | LTGCK | 8-Lead Plastic MSOP | 0°C to 70°C    |
| LT5400BIMS8E-6#PBF  | LT5400BIMS8E-6#TRPBF  | LTGCK | 8-Lead Plastic MSOP | -40°C to 85°C  |
| LT5400BHMS8E-6#PBF  | LT5400BHMS8E-6#TRPBF  | LTGCK | 8-Lead Plastic MSOP | -40°C to 125°C |
| LT5400BMPMS8E-6#PBF | LT5400BMPMS8E-6#TRPBF | LTGCK | 8-Lead Plastic MSOP | -55°C to 150°C |
| LT5400BCMS8E-7#PBF  | LT5400BCMS8E-7#TRPBF  | LTGFT | 8-Lead Plastic MSOP | 0°C to 70°C    |
| LT5400BIMS8E-7#PBF  | LT5400BIMS8E-7#TRPBF  | LTGFT | 8-Lead Plastic MSOP | -40°C to 85°C  |
| LT5400BHMS8E-7#PBF  | LT5400BHMS8E-7#TRPBF  | LTGFT | 8-Lead Plastic MSOP | -40°C to 125°C |
| LT5400BMPMS8E-7#PBF | LT5400BMPMS8E-7#TRPBF | LTGFT | 8-Lead Plastic MSOP | -55°C to 150°C |
| LT5400BCMS8E-8#PBF  | LT5400BCMS8E-8#TRPBF  | LTGTB | 8-Lead Plastic MSOP | 0°C to 70°C    |
| LT5400BIMS8E-8#PBF  | LT5400BIMS8E-8#TRPBF  | LTGTB | 8-Lead Plastic MSOP | -40°C to 85°C  |
| LT5400BHMS8E-8#PBF  | LT5400BHMS8E-8#TRPBF  | LTGTB | 8-Lead Plastic MSOP | -40°C to 125°C |
| LT5400BMPMS8E-8#PBF | LT5400BMPMS8E-8#TRPBF | LTGTB | 8-Lead Plastic MSOP | -55°C to 150°C |

Consult LTC Marketing for parts specified with wider operating temperature ranges. \*The temperature grade is identified by a label on the shipping container. Consult LTC Marketing for information on non-standard lead based finish parts.

For more information on lead free part marking, go to: <http://www.linear.com/leadfree/>

For more information on tape and reel specifications, go to: <http://www.linear.com/tapeandree/>

## ELECTRICAL CHARACTERISTICS

The ● denotes the specifications which apply over the full specified temperature range, otherwise specifications are at  $T_A = 25^\circ\text{C}$ .

| SYMBOL                  | PARAMETER  | CONDITIONS   | MIN               | TYP                                      | MAX  | UNITS                      |
|-------------------------|--|--|-------------------|--|--|----------------------------|
| $\Delta R/R$            | Resistor Matching Ratio (Any Resistor to Any Other Resistor) | A-Grade<br>$T_A = 0^\circ\text{C to } 70^\circ\text{C}$ ●<br>$T_A = -40^\circ\text{C to } 85^\circ\text{C}$ ●<br>$T_A = -40^\circ\text{C to } 125^\circ\text{C}$ ● |                   |  | $\pm 0.010$<br>$\pm 0.010$<br>$\pm 0.0125$<br>$\pm 0.0125$ | %<br>%<br>%<br>%           |
|                         |  | B-Grade ●  |                   |  | $\pm 0.025$  | %                          |
|                         |  | ( $\Delta R/R$ ) <sub>CMRR</sub>   | Matching for CMRR | A-Grade (Note 6) ●<br>B-Grade (Note 6) ● |  | $\pm 0.005$<br>$\pm 0.015$ |
| $(\Delta R/R)/\Delta T$ | Resistor Matching Ratio Temperature Drift                    | (Note 5) ●   |                   | $\pm 0.2$                                | $\pm 1$  | ppm/ $^\circ\text{C}$      |
|                         | Resistor Voltage Coefficient                                 | ●  |                   | $< 0.1$                                  |  | ppm/V                      |
|                         | Excess Current Noise   | Mil-Std-202 Method 308   |                   | $< -55$                                  |  | dB                         |
| $\Delta R$              | Absolute Resistor Tolerance                                  | A-Grade ●  |                   |  | $\pm 7.5$  | %                          |
|                         |  | B-Grade ●  |                   |  | $\pm 15$   | %                          |
|                         | Distributed Capacitance                                      | Resistor to Exposed Pad  |                   | 5.5                                      |  | pF                         |
|                         |  | Resistor to Resistor   |                   | 1.4                                      |  | pF                         |
| $\Delta R/\Delta T$     | Absolute Resistor Value Temperature Drift                    | (Note 5) ●   | -10               | 8  | 25   | ppm/ $^\circ\text{C}$      |
|                         | Resistor Matching Ratio Long-Term Drift                      | 35 $^\circ\text{C}$ 2000Hours, 10mW<br>70 $^\circ\text{C}$ 2000Hours, 10mW   |                   | $< 2$<br>$< 4$                           |  | ppm<br>ppm                 |
|                         | Resistor Matching Ratio Moisture Resistance                  | 85 $^\circ\text{C}$ 85%R.H. 168Hours   |                   | $< 2$                                    |  | ppm                        |
|                         | Resistor Matching Ratio Thermal Shock/Hysteresis             | -50 $^\circ\text{C}$ to 150 $^\circ\text{C}$ , 5 Cycles  |                   | $< 3$                                    |  | ppm                        |
|                         | Resistor Matching Ratio IR Reflow                            | 25 $^\circ\text{C}$ to 260 $^\circ\text{C}$ , 3 Cycles   |                   | $< 3$                                    |  | ppm                        |
|                         | Resistor Matching Ratio Accelerated Shelf Life               | 150 $^\circ\text{C}$ , 1000Hours   |                   | 10                                       |  | ppm                        |
|                         | Harmonic Distortion  | 20V <sub>P-P</sub> , 1kHz, Difference Amplifier  |                   | -120                                     |  | dBc                        |
|                         | Shelf Life   | 25 $^\circ\text{C}$ , Unbiased, 1 Year   |                   | $\pm 5$                                  |  | ppm                        |

**Note 1:** Stresses beyond those listed under Absolute Maximum Ratings may cause permanent damage to the device. Exposure to any Absolute Maximum Rating condition for extended periods may affect device reliability and lifetime.

**Note 2:** The instantaneous difference between the highest voltage applied to any pin and the lowest voltage applied to any other pin should not exceed the Absolute Maximum Rating. This includes the voltage across any resistor, the voltage across any pin with respect to the exposed pad of the package, and the voltage across any two unrelated pins.

**Note 3:** In order to keep the junction temperature within the Absolute Maximum Rating, maximum power dissipation should be derated at elevated ambient temperatures.

**Note 4:** The LT5400C is guaranteed functional over the operating temperature range of -40 $^\circ\text{C}$  to 85 $^\circ\text{C}$ . The LT5400C is designed, characterized and expected to meet specified performance from -40 $^\circ\text{C}$  to 85 $^\circ\text{C}$  but is not tested or QA sampled at these temperatures. The LT5400I is guaranteed to meet specified performance from -40 $^\circ\text{C}$  to 85 $^\circ\text{C}$ . The LT5400H is guaranteed to meet specified performance from -40 $^\circ\text{C}$  to 125 $^\circ\text{C}$  and is 100% tested at these temperature extremes. The LT5400MP is guaranteed to meet specified performance from -55 $^\circ\text{C}$  to 150 $^\circ\text{C}$  and is 100% tested at these temperature extremes.

**Note 5:** This parameter is not 100% tested.

**Note 6:** ( $\Delta R/R$ )<sub>CMRR</sub> (Matching for CMRR) is a metric for the contribution of error from the LT5400 when used in a difference configuration using the specific resistor pairs of R1/R2 and R4/R3. See Difference Amplifier, Instrumentation Amplifier, and Differential Amplifier circuits in the Typical Applications section for examples.

$$(\Delta R/R)_{\text{CMRR}} = \frac{1}{2} \cdot \left( \frac{R_2}{R_1} - \frac{R_3}{R_4} \right) \cdot \left( \frac{R_1}{R_2} \right)$$

The resistor contribution to CMRR can then be calculated in the following way:

$$\text{CMRR} = (\Delta R/R)_{\text{CMRR}} \cdot \left( \frac{4 \cdot \frac{R_2}{R_1}}{2 + \frac{R_2}{R_1} + \frac{R_3}{R_4}} \right)$$

For LT5400 options with resistor ratio 1:1, the resistor contribution to CMRR can be simplified:

$$\text{CMRR} \approx (\Delta R/R)_{\text{CMRR}}$$

# TYPICAL PERFORMANCE CHARACTERISTICS



5400 G01



5400 G02

## APPLICATIONS INFORMATION

### Where to Connect the Exposed Pad

The exposed pad is not DC connected to any resistor terminal. Its main purpose is to reduce the internal temperature rise when the application calls for large amounts of dissipated power in the resistors. The exposed pad can be tied to any voltage (such as ground) as long as the absolute maximum ratings are observed.

There is capacitive coupling between the resistors and the exposed pad, as specified in the Electrical Characteristics table. To avoid interference, do not tie the exposed pad to noisy signals or noisy grounds.

Connecting the exposed pad to a quiet AC ground is recommended as it acts as an AC shield and reduces the amount of resistor-resistor capacitance.

### Thermal Considerations

Each resistor is rated for relatively high power dissipation, as listed in the Absolute Maximum Ratings section of this data sheet. To calculate the internal temperature rise inside the package, add together the power dissipated in all of the resistors, and multiply by the thermal resistance coefficient of the package ( $\theta_{JA}$  or  $\theta_{JC}$  as applicable).

For example, if each resistor dissipates 250mW, for a total of 1W, the total temperature rise inside the package equals 40°C. All 4 resistors will be at the same temperature, regardless of which resistor dissipates more power. The junction temperature must be kept within the Absolute Maximum Rating. At elevated ambient temperatures, this places a limit on the maximum power dissipation.

In addition to limiting the maximum power dissipation, the maximum voltage across any two pins must also be kept less than the absolute maximum rating.

### ESD

The LT5400 can withstand up to  $\pm 1$ kV of electrostatic discharge (ESD, human body). To achieve the highest precision matching, the LT5400 is designed without explicit ESD internal protection diodes. ESD beyond this voltage can damage or degrade the device including causing pin-to-pin shorts.

To protect the LT5400 against large ESD strikes, external protection can be added using diodes to the circuit supply rails or bidirectional Zeners to ground (Figure 1).



Figure 1

### Matching Specification

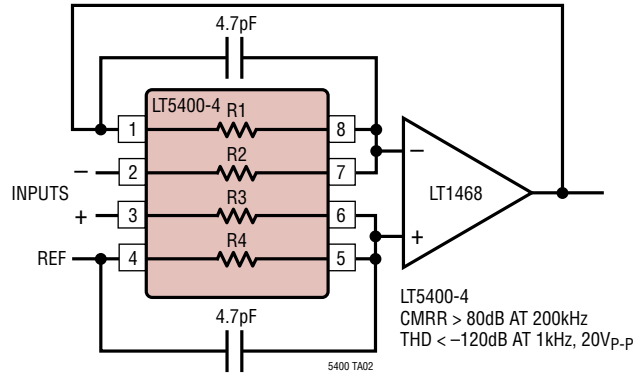
The LT5400 specifies matching in the most conservative possible way. In each device, the ratio error of the largest of the four resistors to the smallest of the four resistors meets the specified matching level. Looser definitions would compare each resistor value to the average of the resistor values, which would typically result in specifications that appear twice as good as they are per the LT5400's more conservative definition. The following two examples illustrate this point.

In an inverting gain-of-1 amplifier, if the largest resistor is allowed to deviate only 0.01% from the smallest resistor, then the worst-case gain can be  $-1.00005/0.99995 = -1.0001$ , which is a 0.01% error from the ideal  $-1.0000$ . That is the LT5400 definition. In a looser definition, if each resistor would be allowed to deviate by 0.01% from the average, then the worst-case gain could be  $-1.0001/0.9999 = -1.0002$ , which is a 0.02% error from the ideal  $-1.0000$ .

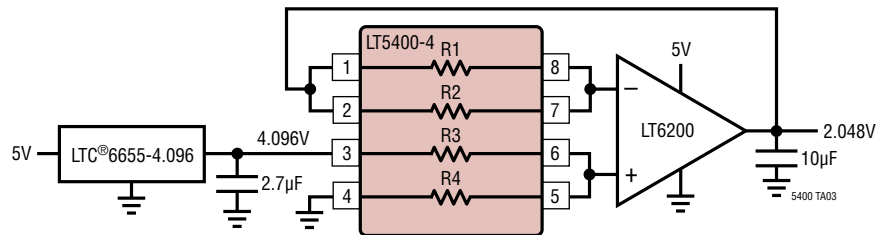
In a divide-by-2 resistor divider network, if the largest resistor is allowed to deviate only 0.01% from the smallest resistor, then the worst-case ratio can be  $1.00005/(1.00005 + 0.99995) = 0.500025$ , which is a 0.005% error from the ideal 0.50000. That is the LT5400 definition. In a looser definition, if each resistor would be allowed to deviate by 0.01% from the average, then the worst-case ratio could be  $1.0001/(1.0001 + 0.9999) = 0.50005$ , which is a 0.01% error from the ideal 0.50000.

# TYPICAL APPLICATIONS

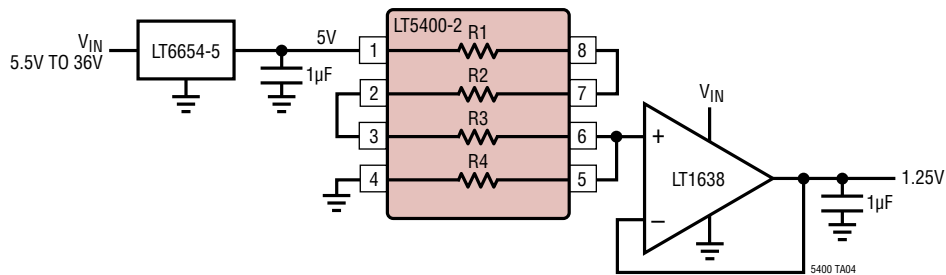
## Difference Amplifier



## Low Noise Reference Divider with Op Amp Input Bias Current Balancing



## Micropower Reference Divide-by-4



## TYPICAL APPLICATIONS

### Gain of 5, Fully-Differential Amplifier



CMRR<sub>TYPICAL</sub> = 95.6dB  
 CMRR<sub>WORST-CASE</sub> ≈ 69.55dB

THE WORST-CASE VALUE IS GUARANTEED OVER OPERATING TEMPERATURE RANGE

### Gain of 10, 106dB CMRR, Discrete Component, Fully-Differential Instrumentation Amplifier



THE LT5400-3 COULD BE REPLACED BY 1% (OR BETTER) DISCRETE RESISTORS AT THE COST OF SOME CMRR. THE INPUT STAGE IS LESS SENSITIVE TO RESISTOR ERRORS THAN THE UNITY GAIN STAGE.

# TYPICAL APPLICATIONS

## Low Offset Current-Sense Amplifier



\* -1% VISHAY CRCW1206  
 AS LONG AS  $R_D - R_{SENSE} \ll R_1 - R_4$ , THE COMMON MODE REJECTION  
 WILL NOT BE DETERIORATED BY THE SENSE RESISTOR.

# PACKAGE DESCRIPTION

Please refer to <http://www.linear.com/designtools/packaging/> for the most recent package drawings.

## MS8E Package 8-Lead Plastic MSOP, Exposed Die Pad (Reference LTC DWG # 05-08-1662 Rev I)



- NOTE:
1. DIMENSIONS IN MILLIMETER/(INCH)
  2. DRAWING NOT TO SCALE
  3. DIMENSION DOES NOT INCLUDE MOLD FLASH, PROTRUSIONS OR GATE BURRS. MOLD FLASH, PROTRUSIONS OR GATE BURRS SHALL NOT EXCEED 0.152mm (.006") PER SIDE
  4. DIMENSION DOES NOT INCLUDE INTERLEAD FLASH OR PROTRUSIONS. INTERLEAD FLASH OR PROTRUSIONS SHALL NOT EXCEED 0.152mm (.006") PER SIDE
  5. LEAD COPLANARITY (BOTTOM OF LEADS AFTER FORMING) SHALL BE 0.102mm (.004") MAX
  6. EXPOSED PAD DIMENSION DOES NOT INCLUDE MOLD FLASH. MOLD FLASH ON E-PAD SHALL NOT EXCEED 0.254mm (.010") PER SIDE.

## REVISION HISTORY

| REV | DATE  | DESCRIPTION  | PAGE NUMBER |
|-----|-------|--|-------------|
| A   | 8/11  | Added LT5400-4, LT5400-5, LT5400-6. Changes reflected throughout the data sheet. | 1-10        |
| B   | 7/12  | Added LT5400-3 H-grade and MP-grade and LT5400-7.                                | 2, 3        |
|     |       | Added Shelf Life characteristics.  | 4           |
|     |       | Clarified Note 6.  | 4           |
|     |       | Added application schematics.  | 8, 9        |
| C   | 02/15 | Added 5400-8   | 2, 3        |

## TYPICAL APPLICATION

### Precision Single-Ended to Differential Conversion





THD = -110dB AT 1kHz, 8V<sub>p-p</sub>  
 GROUNDING EXPOSED PAD RESULTS IN STABLE,  
 NO OVERSHOOT RESPONSE

## RELATED PARTS

| PART NUMBER            | DESCRIPTION                       | COMMENTS                              |
|------------------------|-----------------------------------|---------------------------------------|
| <a href="#">LT1991</a> | Precision Difference Amplifier    | 0.04% Resistor Matching, 100μA Op Amp |
| <a href="#">LT1990</a> | High Voltage Difference Amplifier | ±250V Input Range                     |
| <a href="#">LT1167</a> | Instrumentation Amplifier         | >90dB CMRR                            |

## Looking for pricing, stock, or lifecycle information?

Click below to explore more details on WIN SOURCE:

-  [View LT5400BCMS8E-8#TRPBF on WIN SOURCE](#)
-  [Analog Devices Inc. Information](#)

## Optimize Your Supply Chain with WIN SOURCE Solutions

-  Global Sourcing Solution
-  Obsolete Management
-  Cost Control Management
-  Shortage Management
-  Alternative Solution
-  Excess Inventory Management