



## FEATURES

- Input Supply Voltage Regulation Loop for Peak Power Tracking in (MPPT) Solar Applications
- Wide Input Voltage Range: 4.95V to 34V (40V Abs Max)
- Programmable Charge Rate Up to 2A
- User Selectable Termination: C/10 or On-Board Termination Timer
- Resistor Programmable Float Voltage Up to 18V Accommodates 4-Cell Li-Ion/Polymer, 5-Cell LiFePO<sub>4</sub>, Lead-Acid Chemistries
- Parallelable for Higher Output Current
- 1MHz Fixed Frequency
- 0.5% Float Voltage Reference Accuracy
- 5% Charge Current Accuracy
- 2.5% C/10 Detection Accuracy
- Binary-Coded Open-Collector Status Pins
- Thermally Enhanced 3mm × 3mm DFN and MSE Packages

## APPLICATIONS

- Solar Powered Applications
- Remote Monitoring Stations
- Portable Handheld Instruments
- 12V to 24V Automotive Systems
- Battery Charging from Current Limited Adapter

## DESCRIPTION

The **LT<sup>®</sup>3652HV** is a complete monolithic step-down battery charger that operates over a 4.95V to 34V input range. The LT3652HV provides a constant-current/constant-voltage charge characteristic, with maximum charge current externally programmable up to 2A. The charger employs a 3.3V float voltage feedback reference, so any desired battery float voltage up to 18V can be programmed with a resistor divider.

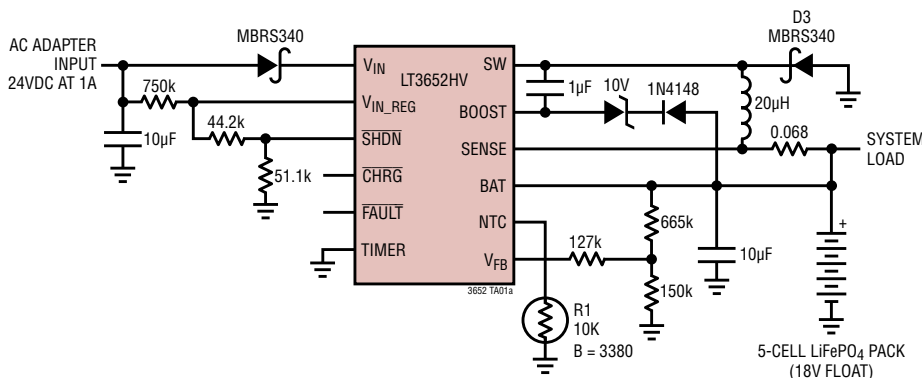
The LT3652HV employs an input voltage regulation loop, which reduces charge current if the input voltage falls below a programmed level, set with a resistor divider. When the LT3652HV is powered by a solar panel, the input regulation loop is used to maintain the panel at peak output power.

The LT3652HV can be configured to terminate charging when charge current falls below 1/10 of the programmed maximum (C/10). Once charging is terminated, the LT3652HV enters a low-current (85µA) standby mode. An auto-recharge feature starts a new charging cycle if the battery voltage falls 2.5% below the programmed float voltage. The LT3652HV also contains a programmable safety timer, used to terminate charging after a desired time is reached. This allows top-off charging at currents less than C/10.

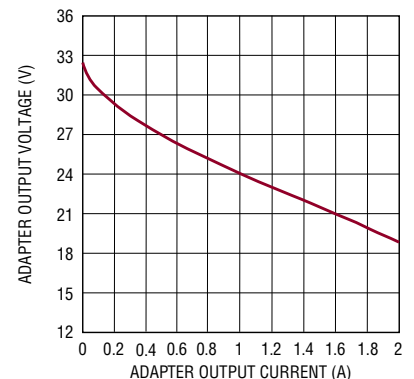
LT, LT, LTC, LTM, Linear Technology and the Linear logo are registered trademarks and PowerPath is a trademark of Linear Technology Corporation. All other trademarks are the property of their respective owners.

## TYPICAL APPLICATION

**V<sub>IN\_REG</sub> Loop Servos Maximum Charge Current to Prevent AC Adapter Output from Drooping Lower Than 24V 5-Cell LiFePO<sub>4</sub> Charger (18V at 1.5A) with C/10 Termination Powered by Inexpensive 24VDC/1A Unregulated Wall Adapter.**



**1A/24VDC Unregulated Adapter  
 I vs V Characteristic**



# LT3652HV

## ABSOLUTE MAXIMUM RATINGS

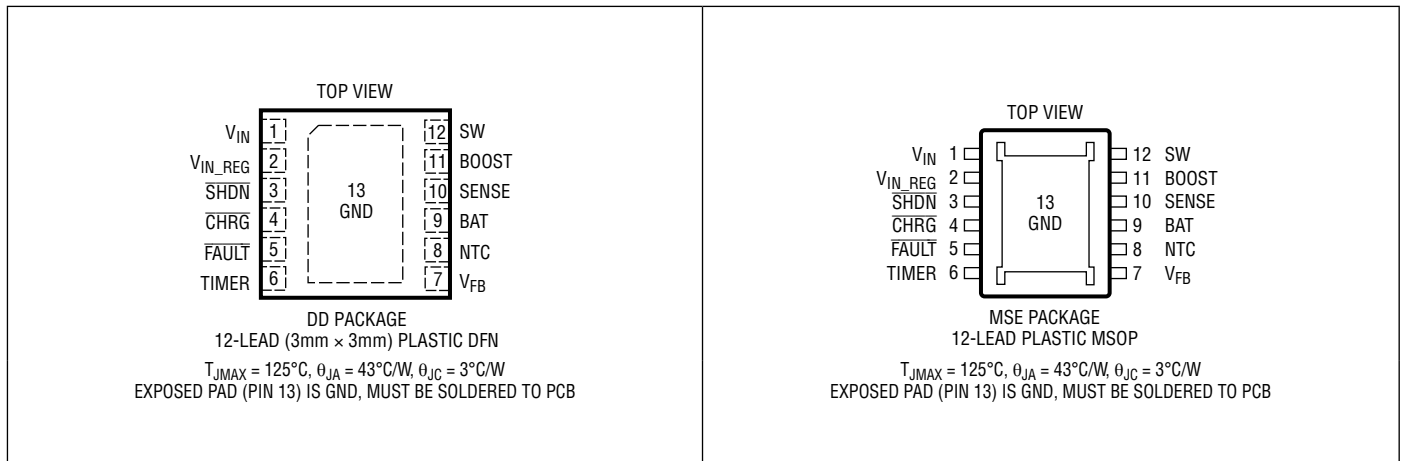
(Note 1)

Voltages:

$V_{IN}$ .....	40V
$V_{IN\_REG}$ , SHDN, CHRG, FAULT .....	$V_{IN} + 0.5V$ , 40V
SW .....	40V
SW- $V_{IN}$ .....	4.5V
BOOST .....	SW+10V, 50V
BAT, SENSE .....	20V

BAT-SENSE .....	-0.5V to +0.5V
NTC, TIMER, .....	2.5V
$V_{FB}$ .....	5V
Operating Junction Temperature Range (Note 2) .....	-40°C to 125°C
Storage Temperature Range .....	-65°C to 150°C

## PIN CONFIGURATION



## ORDER INFORMATION

LEAD FREE FINISH	TAPE AND REEL	PART MARKING*	PACKAGE DESCRIPTION	TEMPERATURE RANGE
LT3652HVEDD#PBF	LT3652HVEDD#TRPBF	LFRG	12-Lead Plastic DFN 3mm × 3mm	-40°C to 125°C
LT3652HVIDD#PBF	LT3652HVIDD#TRPBF	LFRG	12-Lead Plastic DFN 3mm × 3mm	-40°C to 125°C
LT3652HVEMSE#PBF	LT3652HVEMSE#TRPBF	3652HV	12-Lead Plastic MSOP	-40°C to 125°C
LT3652HVIMSE#PBF	LT3652HVIMSE#TRPBF	3652HV	12-Lead Plastic MSOP	-40°C to 125°C

Consult LTC Marketing for parts specified with wider operating temperature ranges. \*The temperature grade is identified by a label on the shipping container.

For more information on lead free part marking, go to: <http://www.linear.com/leadfree/>

For more information on tape and reel specifications, go to: <http://www.linear.com/tapeandreel/>. Some packages are available in 500 unit reels through designated sales channels with #TRMPBF suffix.

**ELECTRICAL CHARACTERISTICS** The ● denotes the specifications which apply over the full operating junction temperature range, otherwise specifications are at  $T_A = 25^\circ\text{C}$  (Note 2).  $V_{IN} = 20\text{V}$ , Boost – SW = 4V, SHDN = 2V,  $V_{FB} = 3.3\text{V}$ ,  $C_{TIMER} = 0.68\mu\text{F}$ .

SYMBOL	PARAMETER	CONDITIONS	MIN	TYP	MAX	UNITS
$V_{IN}$	$V_{IN}$ Operating Range $V_{IN}$ Start Voltage	$V_{BAT} = 4.2$ (Notes 3, 4)	● 4.95		34	V
		$V_{BAT} = 4.2$ (Note 4)	● 7.5			V
$V_{IN(OVLO)}$	OVLO Threshold OVLO Hysteresis	$V_{IN}$ Rising	● 34	35 1	40	V V
$V_{IN(UVLO)}$	UVLO Threshold UVLO Hysteresis	$V_{IN}$ Rising		4.6 0.2	4.95	V V
$V_{FB(FLT)}$	Float Voltage Reference	(Note 6)	● 3.282	3.3	3.318	V
			3.26		3.34	V
$\Delta V_{RECHARGE}$	Recharge Reference Threshold	Voltage Relative to $V_{FB(FLT)}$ (Note 6)		82.5		mV
$V_{FB(PRE)}$	Reference Precondition Threshold	$V_{FB}$ Rising (Note 6)		2.3		V
$V_{FB(PREHYST)}$	Reference Precondition Threshold Hysteresis	Voltage Relative to $V_{FB(PRE)}$ (Note 6)		70		mV
$V_{IN\_REG(TH)}$	Input Regulation Reference	$V_{FB} = 3\text{V}$ ; $V_{SENSE} - V_{BAT} = 50\text{mV}$	● 2.65	2.7	2.75	V
$I_{IN\_REG}$	Input Regulation Reference Bias Current	$V_{IN\_REG} = V_{IN\_REG(TH)}$	●	35	100	nA
$I_{VIN}$	Operating Input Supply Current	CC/CV Mode, $I_{SW} = 0$	●	2.5	3.5	mA
		Standby Mode		85		$\mu\text{A}$
		Shutdown (SHDN = 0)		15		$\mu\text{A}$
$I_{BOOST}$	BOOST Supply Current	Switch On, $I_{SW} = 0$ , $2.5 < V_{(BOOST - SW)} < 8.5$		20		mA
$I_{BOOST/I_{SW}}$	BOOST Switch Drive	$I_{SW} = 2\text{A}$		30		mA/A
$V_{SW(ON)}$	Switch-On Voltage Drop	$V_{IN} - V_{SW}$ , $I_{SW} = 2\text{A}$		350		mV
$I_{SW(MAX)}$	Switch Current Limit		● 2.5	3		A
$V_{SENSE(PRE)}$	Precondition Sense Voltage	$V_{SENSE} - V_{BAT}$ ; $V_{FB} = 2\text{V}$		15		mV
$V_{SENSE(DC)}$	Maximum Sense Voltage	$V_{SENSE} - V_{BAT}$ ; $V_{FB} = 3\text{V}$ (Note 7)	● 95	100	105	mV
$V_{SENSE(C/10)}$	C/10 Trigger Sense Voltage	$V_{SENSE} - V_{BAT}$ , Falling	● 7.5	10	12.5	mV
$I_{BAT}$	BAT Input Bias Current	Charging Terminated		0.1	1	$\mu\text{A}$
$I_{SENSE}$	SENSE Input Bias Current	Charging Terminated		0.1	1	$\mu\text{A}$
$I_{VFB}$	$V_{FB}$ Input Bias Current	Charging Terminated		65		nA
$I_{VFB}$	$V_{FB}$ Input Bias Current	CV Operation (Note 5)		110		nA
$V_{NTC(H)}$	NTC Range Limit (High)	$V_{NTC}$ Rising	● 1.25	1.36	1.45	V
$V_{NTC(L)}$	NTC Range Limit (Low)	$V_{NTC}$ Falling	● 0.27	0.29	0.315	V
$V_{NTC(HYST)}$	NTC Threshold Hysteresis	% of threshold		20		%
$R_{NTC(DIS)}$	NTC Disable Impedance	Impedance to ground	● 250	500		k $\Omega$
$I_{NTC}$	NTC Bias Current	$V_{NTC} = 0.8\text{V}$	● 47.5	50	52.5	$\mu\text{A}$
$V_{SHDN}$	Shutdown Threshold	Rising	● 1.15	1.2	1.25	V
$V_{SHDN(HYST)}$	Shutdown Hysteresis			120		mV
$I_{SHDN}$	SHDN Input Bias Current			-10		nA
$V_{CHRG}, V_{FAULT}$	Status Low Voltage	10mA Load	●		0.4	V
$I_{TIMER}$	Charge/Discharge Current			25		$\mu\text{A}$
$V_{TIMER(DIS)}$	Timer Disable Threshold		● 0.1	0.25		V

## ELECTRICAL CHARACTERISTICS

The ● denotes the specifications which apply over the full operating junction temperature range, otherwise specifications are at  $T_A = 25^\circ\text{C}$  (Note 2).  $V_{IN} = 20\text{V}$ , Boost – SW = 4V,  $\overline{\text{SHDN}} = 2\text{V}$ ,  $V_{FB} = 3.3\text{V}$ ,  $C_{\text{TIMER}} = 0.68\mu\text{F}$ .

SYMBOL	PARAMETER	CONDITIONS	MIN	TYP	MAX	UNITS
$t_{\text{TIMER}}$	Full Charge Cycle Timeout			3		hr
	Precondition Timeout			22.5		min
	Timer Accuracy		●	-10	10	%
$f_0$	Operating Frequency			1		MHz
DC	Duty Cycle Range	Continuous Operation	●	15	90	%

**Note 1:** Stresses beyond those listed under Absolute Maximum Ratings may cause permanent damage to the device. Exposure to any Absolute Maximum Rating condition for extended periods may affect device reliability and lifetime.

**Note 2:** The LT3652HV is tested under pulsed load conditions such that  $T_J \cong T_A$ . The LT3652HVE is guaranteed to meet performance specifications from  $0^\circ\text{C}$  to  $85^\circ\text{C}$  junction temperature. Specifications over the  $-40^\circ\text{C}$  to  $125^\circ\text{C}$  operating junction temperature range are assured by design, characterization, and correlation with statistical process controls. The LT3652HVI specifications are guaranteed over the full  $-40^\circ\text{C}$  to  $125^\circ\text{C}$  operating junction temperature range. Note that the maximum ambient temperature consistent with these specifications is determined by specific operating conditions in conjunction with board layout, the rated package thermal impedance and other environmental factors.

**Note 3:**  $V_{IN}$  minimum voltages below the start threshold are only supported if  $(V_{\text{BOOST}} - V_{\text{SW}}) > 2\text{V}$ .

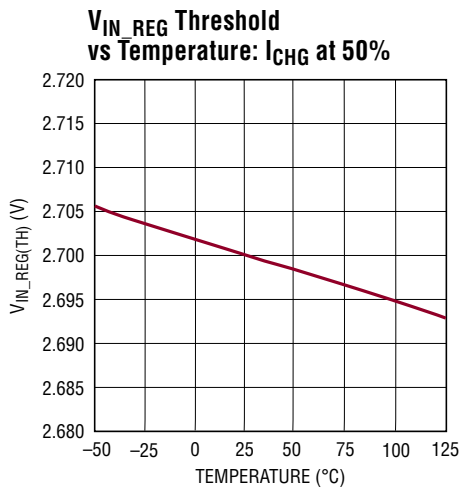
**Note 4:** This parameter is valid for programmed output battery float voltages  $\leq 4.2\text{V}$ .  $V_{IN}$  operating range minimum is  $0.75\text{V}$  above the programmed output battery float voltage ( $V_{\text{BAT(FLT)}} + 0.75\text{V}$ ).  $V_{IN}$  Start Voltage is  $3.3\text{V}$  above the programmed output battery float voltage ( $V_{\text{BAT(FLT)}} + 3.3\text{V}$ ).

**Note 5:** Output battery float voltage ( $V_{\text{BAT(FLT)}}$ ) programming resistor divider equivalent resistance =  $250\text{k}$  compensates for input bias current.

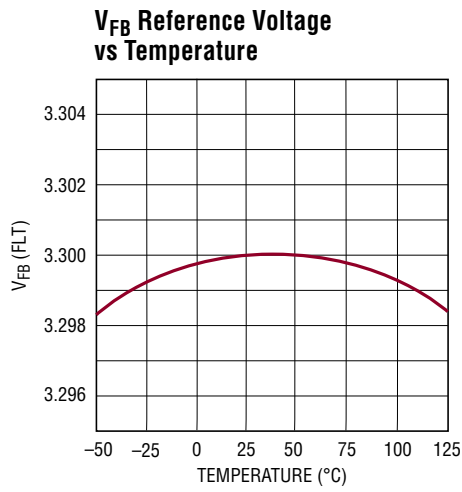
**Note 6:** All  $V_{FB}$  voltages measured through  $250\text{k}$  series resistance.

**Note 7:**  $V_{\text{SENSE(DC)}}$  is reduced by thermal foldback as junction temperature approaches  $125^\circ\text{C}$ .

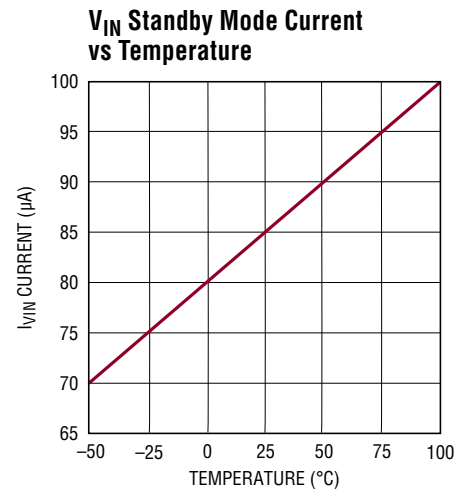
**TYPICAL PERFORMANCE CHARACTERISTICS**  $T_J = 25^\circ\text{C}$ , unless otherwise noted.



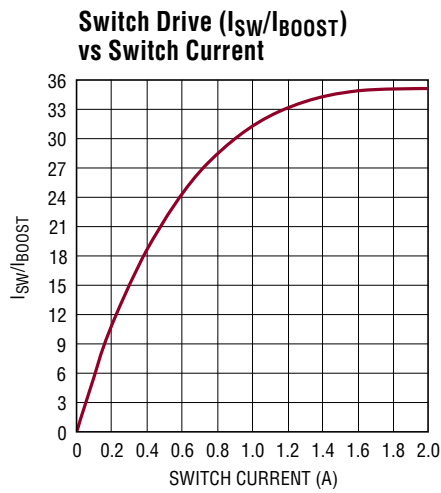
3652 G01



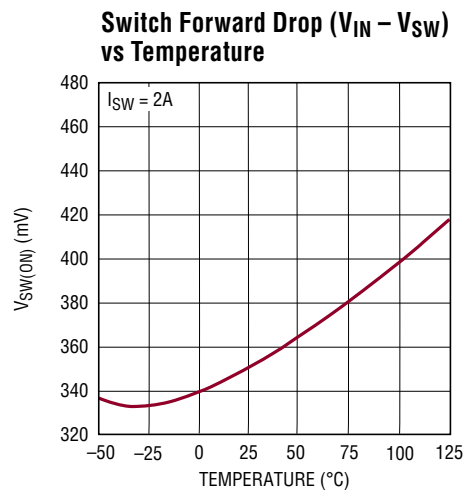
3652 G01a



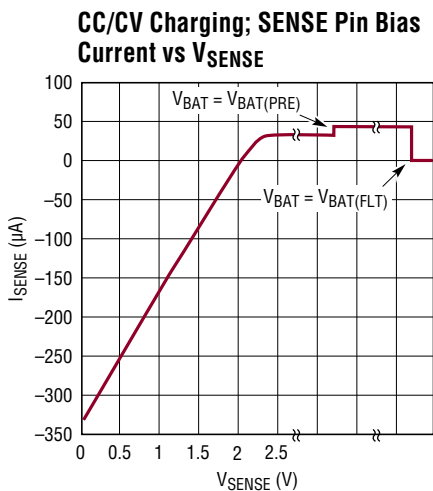
3652 G02



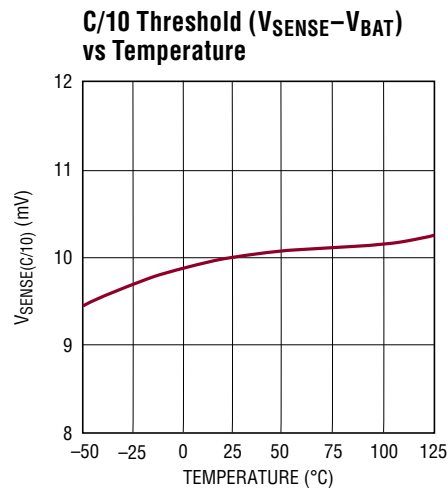
3652 G03



3652 G04

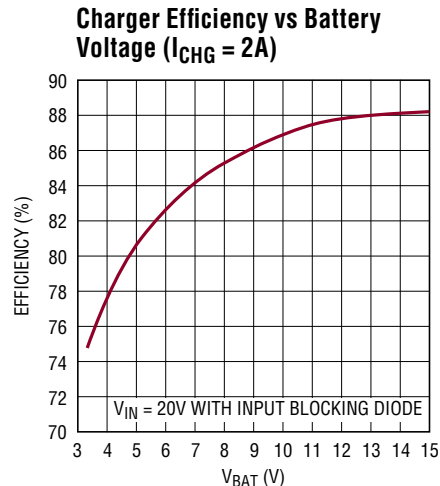
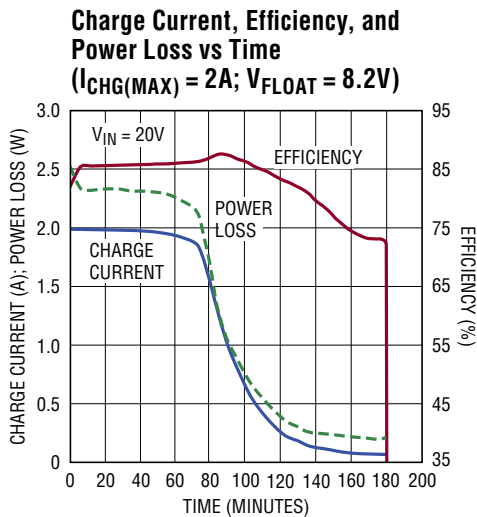
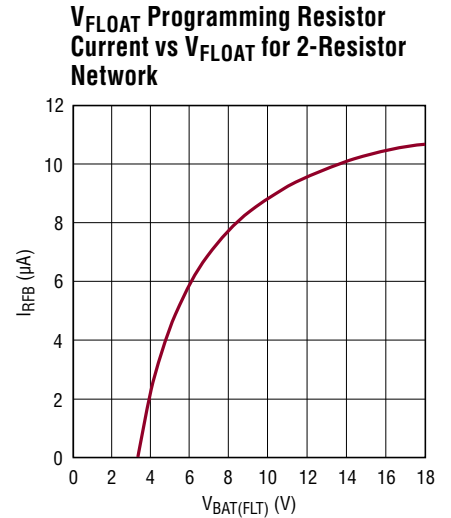
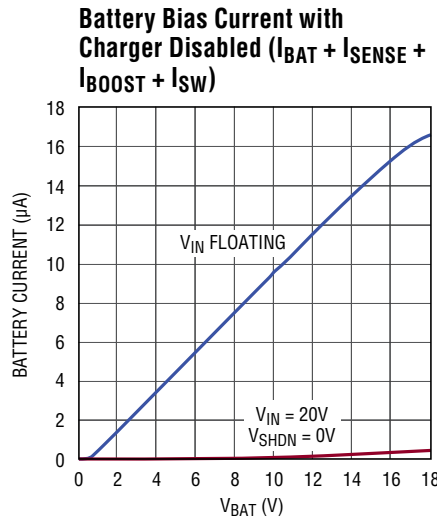
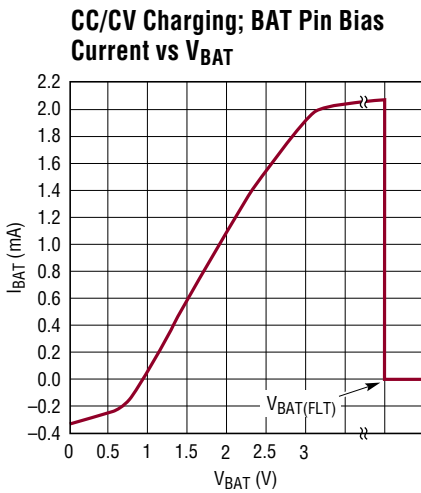
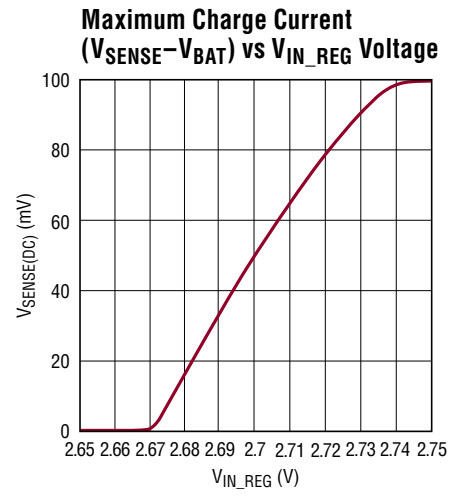
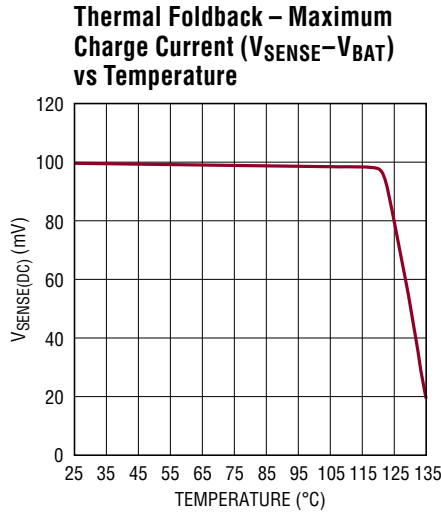
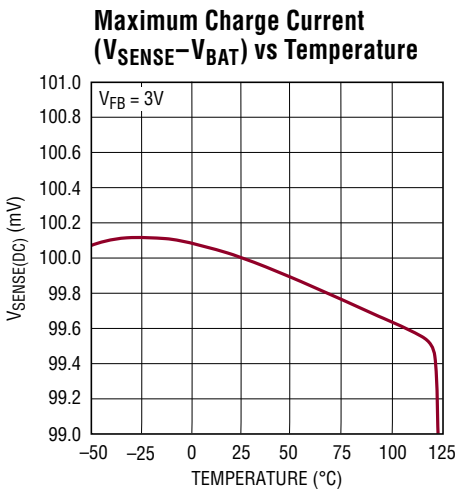


3652 G05



3652 G06

## TYPICAL PERFORMANCE CHARACTERISTICS $T_A = 25^\circ\text{C}$ , unless otherwise noted.



## PIN FUNCTIONS

**V<sub>IN</sub> (Pin 1):** Charger Input Supply. V<sub>IN</sub> operating range is 4.95V to 34V. V<sub>IN</sub> must be 3.3V greater than the programmed output battery float voltage (V<sub>BAT(FLT)</sub>) for reliable start-up. (V<sub>IN</sub> - V<sub>BAT(FLT)</sub>) ≥ 0.75V is the minimum operating voltage, provided (V<sub>BOOST</sub> - V<sub>SW</sub>) ≥ 2V. I<sub>VIN</sub> ~ 85μA after charge termination. This pin is typically connected to the cathode of a blocking diode.

**V<sub>IN\_REG</sub> (Pin 2):** Input Voltage Regulation Reference. Maximum charge current is reduced when this pin is below 2.7V. Connecting a resistor divider from V<sub>IN</sub> to this pin enables programming of minimum operational V<sub>IN</sub> voltage. This is typically used to program the peak power voltage for a solar panel. The LT3652HV servos the maximum charge current required to maintain the programmed operational V<sub>IN</sub> voltage, through maintaining the voltage on V<sub>IN\_REG</sub> at or above 2.7V. If the voltage regulation feature is not used, connect the pin to V<sub>IN</sub>.

**SHDN (Pin 3):** Precision Threshold Shutdown Pin. The enable threshold is 1.2V (rising), with 120mV of input hysteresis. When in shutdown mode, all charging functions are disabled. The precision threshold allows use of the SHDN pin to incorporate UVLO functions. If the SHDN pin is pulled below 0.4V, the IC enters a low current shutdown mode where V<sub>IN</sub> current is reduced to 15μA. Typical SHDN pin input bias current is 10nA. If the shutdown function is not desired, connect the pin to V<sub>IN</sub>.

**CHRG (Pin 4):** Open-Collector Charger Status Output; typically pulled up through a resistor to a reference voltage. This status pin can be pulled up to voltages as high as V<sub>IN</sub> when disabled, and can sink currents up to 10mA when enabled. During a battery charging cycle, if required charge current is greater than 1/10 of the programmed maximum current (C/10), CHRG is pulled low. A temperature fault also causes this pin to be pulled low. After C/10 charge termination or, if the internal timer is used for termination and charge current is less than C/10, the CHRG pin remains high-impedance.

**FAULT (Pin 5):** Open-Collector Charger Status Output; typically pulled up through a resistor to a reference voltage. This status pin can be pulled up to voltages as high as V<sub>IN</sub> when disabled, and can sink currents up to 10mA when enabled. This pin indicates fault conditions during a

battery charging cycle. A temperature fault causes this pin to be pulled low. If the internal timer is used for termination, a bad battery fault also causes this pin to be pulled low. If no fault conditions exist, the FAULT pin remains high-impedance.

**TIMER (Pin 6):** End-Of-Cycle Timer Programming Pin. If a timer-based charge termination is desired, connect a capacitor from this pin to ground. Full charge end-of-cycle time (in hours) is programmed with this capacitor following the equation:

$$t_{EOC} = C_{TIMER} \cdot 4.4 \cdot 10^6$$

A bad battery fault is generated if the battery does not achieve the precondition threshold voltage within one-eighth of t<sub>EOC</sub>, or:

$$t_{PRE} = C_{TIMER} \cdot 5.5 \cdot 10^5$$

A 0.68μF capacitor is typically used, which generates a timer EOC at three hours, and a precondition limit time of 22.5 minutes. If a timer-based termination is not desired, the timer function is disabled by connecting the TIMER pin to ground. With the timer function disabled, charging terminates when the charge current drops below a C/10 threshold, or I<sub>CHG(MAX)</sub>/10

**V<sub>FB</sub> (Pin 7):** Battery Float Voltage Feedback Reference. The charge function operates to achieve a final float voltage of 3.3V on this pin. Output battery float voltage (V<sub>BAT(FLT)</sub>) is programmed using a resistor divider. V<sub>BAT(FLT)</sub> can be programmed up to 18V.

The auto-restart feature initiates a new charging cycle when the voltage at the V<sub>FB</sub> pin falls 2.5% below the float voltage reference.

The V<sub>FB</sub> pin input bias current is 110nA. Using a resistor divider with an equivalent input resistance at the V<sub>FB</sub> pin of 250k compensates for input bias current error.

Required resistor values to program desired V<sub>BAT(FLT)</sub> follow the equations:

$$R1 = (V_{BAT(FLT)} \cdot 2.5 \cdot 10^5) / 3.3 \quad (\Omega)$$

$$R2 = (R1 \cdot 2.5 \cdot 10^5) / (R1 - (2.5 \cdot 10^5)) \quad (\Omega)$$

R1 is connected from BAT to V<sub>FB</sub>, and R2 is connected from V<sub>FB</sub> to ground.

## PIN FUNCTIONS

**NTC (Pin 8):** Battery Temperature Monitor Pin. This pin is the input to the NTC (Negative Temperature Coefficient) thermistor temperature monitoring circuit. This function is enabled by connecting a 10k $\Omega$ , B = 3380 NTC thermistor from the NTC pin to ground. The pin sources 50 $\mu$ A, and monitors the voltage across the 10k $\Omega$  thermistor. When the voltage on this pin is above 1.36 (T < 0°C) or below 0.29V (T > 40°C), charging is disabled and the  $\overline{\text{CHRG}}$  and  $\overline{\text{FAULT}}$  pins are both pulled low. If internal timer termination is being used, the timer is paused, suspending the charging cycle. Charging resumes when the voltage on NTC returns to within the 0.29V to 1.36V active region. There is approximately 5°C of temperature hysteresis associated with each of the temperature thresholds. The temperature monitoring function remains enabled while the thermistor resistance to ground is less than 250k, so if this function is not desired, leave the NTC pin unconnected.

**BAT (Pin 9):** Charger Output Monitor Pin. Connect a 10 $\mu$ F decoupling capacitance (C<sub>BAT</sub>) to ground. Depending on application requirements, larger value decoupling capacitors may be required. The charge function operates to achieve the programmed output battery float voltage (V<sub>BAT(FLT)</sub>) at this pin. This pin is also the reference for the current sense voltage. Once a charge cycle is terminated, the input bias current of the BAT pin is reduced to < 0.1 $\mu$ A, to minimize battery discharge while the charger remains connected.

**SENSE (Pin 10):** Charge Current Sense Pin. Connect the inductor sense resistor (R<sub>SENSE</sub>) from the SENSE pin to the BAT pin. The voltage across this resistor sets the average

charge current. The maximum charge current (I<sub>CHG(MAX)</sub>) corresponds to 100mV across the sense resistor. This resistor can be set to program maximum charge current as high as 2A. The sense resistor value follows the relation:

$$R_{\text{SENSE}} = 0.1 / I_{\text{CHG(MAX)}} \text{ (}\Omega\text{)}$$

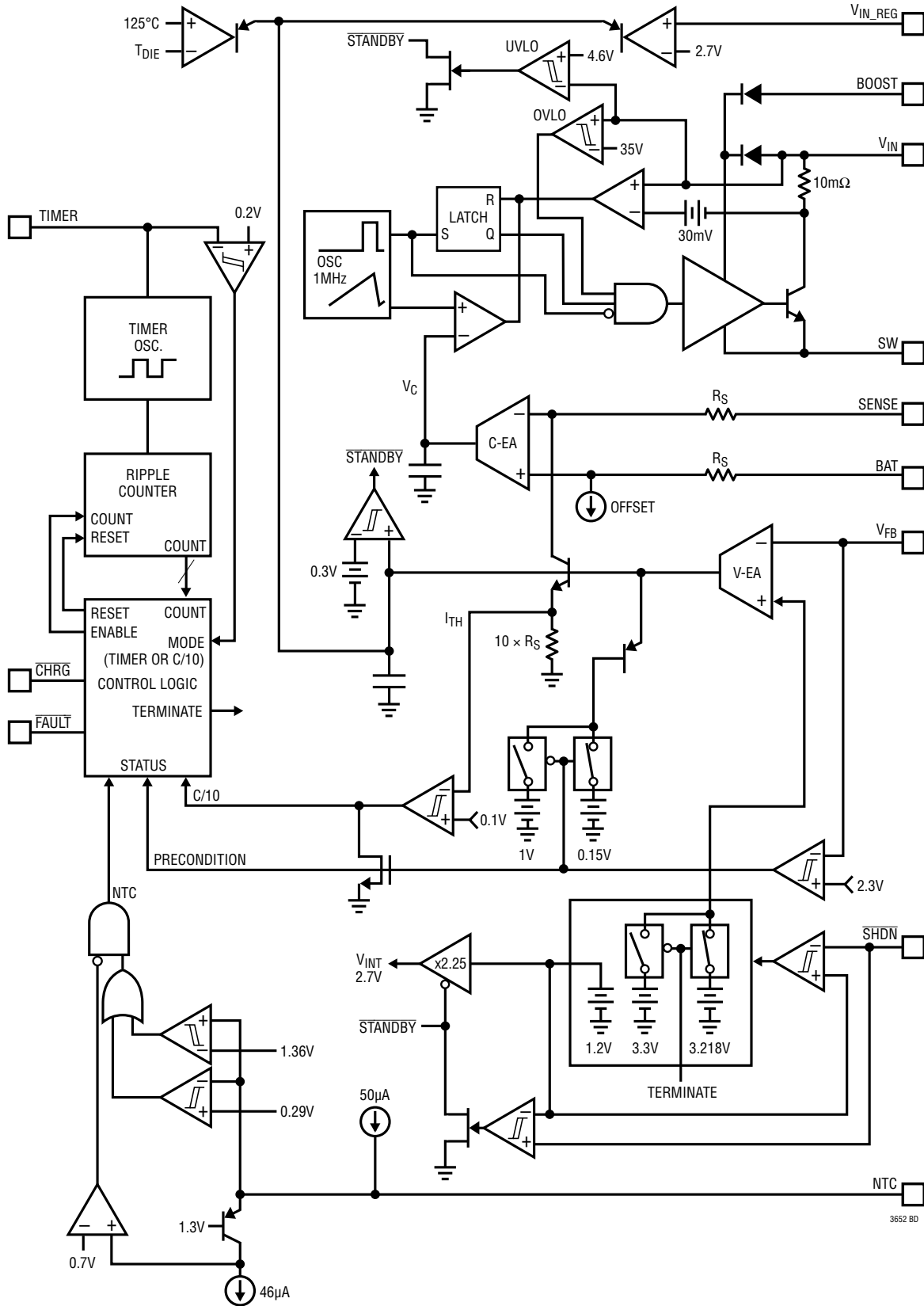
Once a charge cycle is terminated, the input bias current of the SENSE pin is reduced to < 0.1 $\mu$ A, to minimize battery discharge while the charger remains connected.

**BOOST (Pin 11):** Bootstrapped Supply Rail for Switch Drive. This pin facilitates saturation of the switch transistor. Connect a 1 $\mu$ F or greater capacitor from the BOOST pin to the SW pin. Operating range of this pin is 0V to 8.5V, referenced to the SW pin. The voltage on the decoupling capacitor is refreshed through a rectifying diode, with the anode connected to either the battery output voltage or an external source, and the cathode connected to the BOOST pin.

**SW (Pin 12):** Switch Output Pin. This pin is the output of the charger switch, and corresponds to the emitter of the switch transistor. When enabled, the switch shorts the SW pin to the V<sub>IN</sub> supply. The drive circuitry for this switch is bootstrapped above the V<sub>IN</sub> supply using the BOOST supply pin, allowing saturation of the switch for maximum efficiency. The effective on-resistance of the boosted switch is 0.175 $\Omega$ .

**GND (Pin 13):** Ground Reference and Backside Exposed Lead Frame Thermal Connection. Solder the exposed lead frame to the PCB ground plane.

**BLOCK DIAGRAM**



## APPLICATIONS INFORMATION

### Overview

LT3652HV is a complete monolithic, mid-power, multi-chemistry buck battery charger, addressing high input voltage applications with solutions that require a minimum of external components. The IC uses a 1MHz constant frequency, average-current mode step-down architecture.

The LT3652HV incorporates a 2A switch that is driven by a bootstrapped supply to maximize efficiency during charging cycles. Wide input range allows operation to full charge from voltages as high as 34V. A precision threshold shutdown pin allows incorporation of UVLO functionality using a simple resistor divider. The IC can also be put into a low-current shutdown mode, in which the input supply bias is reduced to only 15 $\mu$ A.

The LT3652HV employs an input voltage regulation loop, which reduces charge current if a monitored input voltage falls below a programmed level. When the LT3652HV is powered by a solar panel, the input regulation loop is used to maintain the panel at peak output power.

The LT3652HV automatically enters a battery precondition mode if the sensed battery voltage is very low. In this mode, the charge current is reduced to 15% of the programmed maximum, as set by the inductor sense resistor,  $R_{SENSE}$ . Once the battery voltage reaches 70% of the fully charged float voltage, the IC automatically increases maximum charge current to the full programmed value.

The LT3652HV can use a charge-current based C/10 termination scheme, which ends a charge cycle when the battery charge current falls to one tenth of the programmed maximum charge current. The LT3652HV also contains an internal charge cycle control timer, for timer-based termination. When using the internal timer, the IC combines C/10 detection with a programmable time constraint, during which the charging cycle can continue beyond the C/10 level to top-off a battery. The charge cycle terminates when a specific time elapses, typically 3 hours. When the timer-based scheme is used, the IC also supports bad battery detection, which triggers a system fault if a battery stays in precondition mode for more than one eighth of the total charge cycle time.

Once charging is terminated, the LT3652HV automatically enters a low-current standby mode where supply bias currents are reduced to 85 $\mu$ A. The IC continues to

monitor the battery voltage while in standby, and if that voltage falls 2.5% from the full-charge float voltage, the LT3652HV engages an automatic charge cycle restart. The IC also automatically restarts a new charge cycle after a bad battery fault once the failed battery is removed and replaced with another battery.

The LT3652HV contains provisions for a battery temperature monitoring circuit. This feature monitors battery temperature using a thermistor during the charging cycle. If the battery temperature moves outside a safe charging range of 0°C to 40°C, the IC suspends charging and signals a fault condition until the temperature returns to the safe charging range.

The LT3652HV contains two digital open-collector outputs, which provide charger status and signal fault conditions. These binary-coded pins signal battery charging, standby or shutdown modes, battery temperature faults, and bad battery faults.

### General Operation (See Block Diagram)

The LT3652HV uses average current mode control loop architecture, such that the IC servos directly to average charge current. The LT3652HV senses charger output voltage through a resistor divider via the  $V_{FB}$  pin. The difference between the voltage on this pin and an internal 3.3V voltage reference is integrated by the voltage error amplifier (V-EA). This amplifier generates an error voltage on its output ( $I_{TH}$ ), which corresponds to the average current sensed across the inductor current sense resistor,  $R_{SENSE}$ , which is connected between the SENSE and BAT pins. The  $I_{TH}$  voltage is then divided down by a factor of 10, and imposed on the input of the current error amplifier (C-EA). The difference between this imposed voltage and the current sense resistor voltage is integrated, with the resulting voltage ( $V_C$ ) used as a threshold that is compared against an internally generated ramp. The output of this comparison controls the charger's switch.

The  $I_{TH}$  error voltage corresponds linearly to average current sensed across the inductor current sense resistor, allowing maximum charge current control by limiting the effective voltage range of  $I_{TH}$ . A clamp limits this voltage to 1V which, in turn, limits the current sense voltage to 100mV. This sets the maximum charge current, or the current delivered while the charger is operating in con-

3652hvfb

## APPLICATIONS INFORMATION

stant-current (CC) mode, which corresponds to 100mV across  $R_{SENSE}$ . The  $I_{TH}$  voltage is pulled down to reduce this maximum charge current should the voltage on the  $V_{IN\_REG}$  pin falls below 2.7V ( $V_{IN\_REG(TH)}$ ) or the die temperature approaches 125°C.

If the voltage on the  $V_{FB}$  pin is below 2.3V ( $V_{FB(PRE)}$ ), the LT3652HV engages precondition mode. During the precondition interval, the charger continues to operate in constant-current mode, but the maximum charge current is reduced to 15% of the maximum programmed value as set by  $R_{SENSE}$ .

When the charger output voltage approaches the float voltage, or the voltage on the  $V_{FB}$  pin approaches 3.3V ( $V_{FB(FLT)}$ ), the charger transitions into constant-voltage (CV) mode and charge current is reduced from the maximum value. As this occurs, the  $I_{TH}$  voltage falls from the limit clamp and servos to lower voltages. The IC monitors the  $I_{TH}$  voltage as it is reduced, and detection of C/10 charge current is achieved when  $I_{TH} = 0.1V$ . If the charger is configured for C/10 termination, this threshold is used to terminate the charge cycle. Once the charge cycle is terminated, the  $\overline{CHRG}$  status pin becomes high-impedance and the charger enters low-current standby mode.

The LT3652HV contains an internal charge cycle timer that terminates a successful charge cycle after a programmed amount of time. This timer is typically programmed to achieve end-of-cycle (EOC) in 3 hours, but can be configured for any amount of time by setting an appropriate timing capacitor value ( $C_{TIMER}$ ). When timer termination is used, the charge cycle does not terminate when C/10 is achieved. Because the  $\overline{CHRG}$  status pin responds to the C/10 current level, the IC will indicate a fully-charged battery status, but the charger continues to source low currents into the battery until the programmed EOC time has elapsed, at which time the charge cycle will terminate. At EOC when the charging cycle terminates, if the battery did not achieve at least 97.5% of the full float voltage, charging is deemed unsuccessful, the LT3652HV re-initiates, and charging continues for another full timer cycle.

Use of the timer function also enables bad-battery detection. This fault condition is achieved if the battery does not respond to preconditioning, such that the charger

remains in (or enters) precondition mode after 1/8th of the programmed charge cycle time. A bad battery fault halts the charging cycle, the  $\overline{CHRG}$  status pin goes high-impedance, and the  $\overline{FAULT}$  pin is pulled low.

When the LT3652HV terminates a charging cycle, whether through C/10 detection or by reaching timer EOC, the average current mode analog loop remains active, but the internal float voltage reference is reduced by 2.5%. Because the voltage on a successfully charged battery is at the full float voltage, the voltage error amp detects an over-voltage condition and  $I_{TH}$  is pulled low. When the voltage error amp output drops below 0.3V, the IC enters standby mode, where most of the internal circuitry is disabled, and the  $V_{IN}$  bias current is reduced to 85µA. When the voltage on the  $V_{FB}$  pin drops below the reduced float reference level, the output of the voltage error amp will climb, at which point the IC comes out of standby mode and a new charging cycle is initiated.

### $V_{IN}$ Input Supply

The LT3652HV is biased through a reverse-current blocking element from the charger input supply to the  $V_{IN}$  pin. This supply provides large switched currents, so a high-quality, low ESR decoupling capacitor is recommended to minimize voltage glitches on  $V_{IN}$ . The  $V_{IN}$  decoupling capacitor ( $C_{VIN}$ ) absorbs all input switching ripple current in the charger, so it must have an adequate ripple current rating. RMS ripple current ( $I_{CVIN(RMS)}$ ) is:

$$I_{CVIN(RMS)} \cong I_{CHG(MAX)} \cdot (V_{BAT}/V_{IN}) \cdot ([V_{IN}/V_{BAT}] - 1)^{1/2},$$

where  $I_{CHG(MAX)}$  is the maximum average charge current (100mV/ $R_{SENSE}$ ). The above relation has a maximum at  $V_{IN} = 2 \cdot V_{BAT}$ , where:

$$I_{CVIN(RMS)} = I_{CHG(MAX)}/2.$$

The simple worst-case of  $1/2 \cdot I_{CHG(MAX)}$  is commonly used for design.

## APPLICATIONS INFORMATION

Bulk capacitance is a function of desired input ripple voltage ( $\Delta V_{IN}$ ), and follows the relation:

$$C_{IN(BULK)} = I_{CHG(MAX)} \cdot (V_{BAT}/V_{IN})/\Delta V_{IN} \text{ (}\mu\text{F)}$$

Input ripple voltages above 0.1V are not recommended. 10 $\mu$ F is typically adequate for most charger applications.

### Charge Current Programming

The LT3652HV charger is configurable to charge at average currents as high as 2A. Maximum charge current is set by choosing an inductor sense resistor ( $R_{SENSE}$ ) such that the desired maximum average current through that sense resistor creates a 100mV drop, or:

$$R_{SENSE} = 0.1/I_{CHG(MAX)}$$

where  $I_{CHG(MAX)}$  is the maximum average charge current. A 2A charger, for example, would use a 0.05 $\Omega$  sense resistor.

### BOOST Supply

The BOOST bootstrapped supply rail drives the internal switch and facilitates saturation of the switch transistor. Operating range of the BOOST pin is 0V to 8.5V, as referenced to the SW pin. Connect a 1 $\mu$ F or greater capacitor from the BOOST pin to the SW pin.

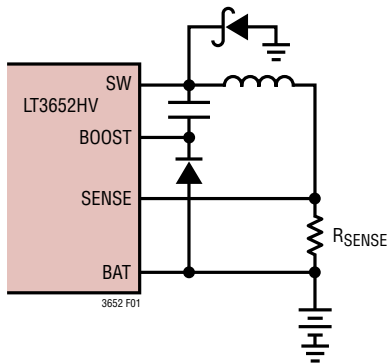


Figure 1. Programming Maximum Charge Current Using  $R_{SENSE}$

The voltage on the decoupling capacitor is refreshed through a diode, with the anode connected to either the battery output voltage or an external source, and the cathode connected to the BOOST pin. Rate the diode average current greater than 0.1A, and reverse voltage greater than  $V_{IN(MAX)}$ .

To refresh the decoupling capacitor with a rectifying diode from the battery with battery float voltages higher than 8.4V, a >100mA Zener diode can be put in series with the rectifying diode to prevent exceeding the BOOST pin operating voltage range.

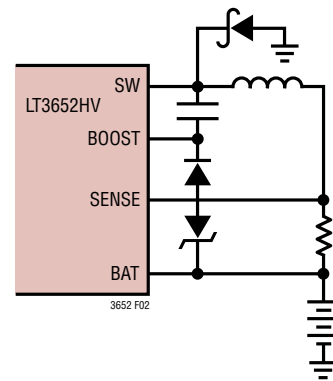


Figure 2. Zener Diode Reduces Refresh Voltage for BOOST Pin

### $V_{IN}$ / BOOST Start-Up Requirement

The LT3652HV operates with a  $V_{IN}$  range of 4.95V to 34V, however, a start-up voltage requirement exists due to the nature of the non-synchronous step-down switcher topology used for the charger. If there is no BOOST supply available, the internal switch requires  $(V_{IN} - V_{SW}) \geq 3.3V$  to reliably operate. This requirement does not exist if the BOOST supply is available and  $(V_{BOOST} - V_{SW}) > 2V$ .

When an LT3652HV charger is not switching, the SW pin is at the same potential as the battery, which can be as high as  $V_{BAT(FLT)}$ . As such, for reliable start-up, the  $V_{IN}$  supply must be at least 3.3V above  $V_{BAT(FLT)}$ . Once switching begins and the BOOST supply capacitor gets charged such that  $(V_{BOOST} - V_{SW}) > 2V$ , the  $V_{IN}$  requirement no longer applies.

## APPLICATIONS INFORMATION

In low  $V_{IN}$  applications, the BOOST supply can be powered by an external source for start-up, eliminating the  $V_{IN}$  start-up requirement.

### $V_{BAT}$ Output Decoupling

An LT3652HV charger output requires bypass capacitance connected from the BAT pin to ground ( $C_{BAT}$ ). A  $10\mu F$  ceramic capacitor is required for all applications. In systems where the battery can be disconnected from the charger output, additional bypass capacitance may be desired for visual indication for a no-battery condition (see the Status Pins section).

If it is desired to operate a system load from the LT3652HV charger output when the battery is disconnected, additional bypass capacitance is required. In this type of application, excessive ripple and/or low amplitude oscillations can occur without additional output bulk capacitance. For these applications, place a  $100\mu F$  low ESR non-ceramic capacitor (chip tantalum or organic semiconductor capacitors such as Sanyo OS-CONs or POSCAPs) from BAT to ground, in parallel with the  $10\mu F$  ceramic bypass capacitor. This additional bypass capacitance may also be required in systems where the battery is connected to the charger with long wires. The voltage rating of  $C_{BAT}$  must meet or exceed the battery float voltage.

### Inductor Selection

The primary criterion for inductor value selection in an LT3652HV charger is the ripple current created in that inductor. Once the inductance value is determined, an inductor must also have a saturation current equal to or exceeding the maximum peak current in the inductor. An inductor value ( $L$ ), given the desired amount of peak-to-peak inductor ripple current ( $\Delta I_L$ ) can be approximated using the relation:

$$L = \frac{10 \cdot R_{SENSE} \cdot V_{BAT(FLT)}}{\Delta I_L \cdot I_{CHG(MAX)}} \cdot \left[ 1 - \frac{V_{BAT(FLT)}}{V_{IN(MAX)}} \right] (\mu H)$$

In the above relation,  $V_{IN(MAX)}$  is the maximum operational voltage. Ripple current is typically set within a range of

25% to 35% of  $I_{CHG(MAX)}$ , so an inductor value can be determined by setting  $0.25 < \Delta I_L / I_{CHG(MAX)} < 0.35$ .

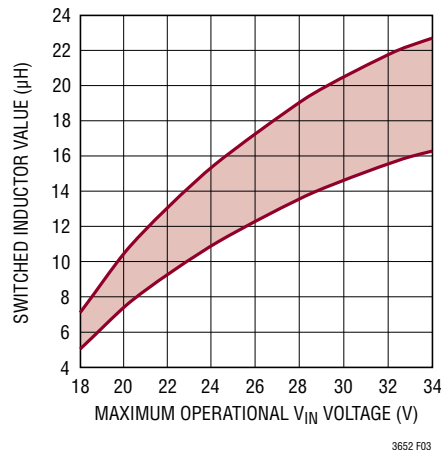


Figure 3. 14.4V at 1.5A Switched Inductor Values

Magnetics vendors typically specify inductors with maximum RMS and saturation current ratings. Select an inductor that has a saturation current rating at or above  $I_{CHG(MAX)} + \Delta I_L / I_{CHG(MAX)}$ , and an RMS rating above  $I_{CHG(MAX)}$ . Inductors must also meet a maximum volt-second product requirement. If this specification is not in the data sheet of an inductor, consult the vendor to make sure the maximum volt-second product is not being exceeded by your design. The minimum required volt-second product is:

$$V_{BAT(FLT)} \cdot \left( 1 - \frac{V_{BAT(FLT)}}{V_{IN(MAX)}} \right) (V \cdot \mu S)$$

### Rectifier Selection

The rectifier diode from SW to GND, in a LT3652HV battery charger provides a current path for the inductor current when the main power switch is disabled. The rectifier is selected based upon forward voltage, reverse voltage, and maximum current. A Schottky diode is required, as low forward voltage yields the lowest power loss and highest efficiency. The rectifier diode must be rated to withstand reverse voltages greater than the maximum  $V_{IN}$  voltage.

## APPLICATIONS INFORMATION

The minimum average diode current rating ( $I_{DIODE(MAX)}$ ) is calculated with maximum output current ( $I_{CHG(MAX)}$ ), maximum operational  $V_{IN}$ , and output at the precondition threshold ( $V_{BAT(PRE)}$ , or  $0.7 \cdot V_{BAT(FLT)}$ ):

$$I_{DIODE(MAX)} > I_{CHG(MAX)} \cdot \frac{V_{IN(MAX)} - V_{BAT(PRE)}}{V_{IN(MAX)}} \text{ (A)}$$

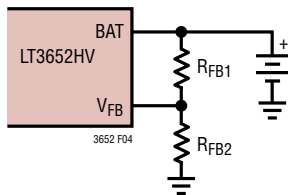
For example, a rectifier diode for a 7.2V, 2A charger with a 25V maximum input voltage would require:

$$I_{DIODE(MAX)} > 2A \cdot \frac{25V - 0.7(7.2V)}{25V}, \text{ or}$$

$$I_{DIODE(MAX)} > 1.6A$$

### Battery Float Voltage Programming

The output battery float voltage ( $V_{BAT(FLT)}$ ) is programmed by connecting a resistor divider from the BAT pin to  $V_{FB}$ .  $V_{BAT(FLT)}$  can be programmed up to 18V.



**Figure 4. Feedback Resistors from BAT to  $V_{FB}$  Program Float Voltage**

Using a resistor divider with an equivalent input resistance at the  $V_{FB}$  pin of 250k compensates for input bias current error. Required resistor values to program desired  $V_{BAT(FLT)}$  follow the equations:

$$R_{FB1} = (V_{BAT(FLT)} \cdot 2.5 \cdot 10^5) / 3.3 \quad (\Omega)$$

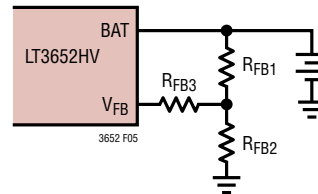
$$R_{FB2} = (R_{FB1} \cdot (2.5 \cdot 10^5)) / (R_{FB1} - (2.5 \cdot 10^5)) \quad (\Omega)$$

The charge function operates to achieve the final float voltage of 3.3V on the  $V_{FB}$  pin. The auto-restart feature initiates a new charging cycle when the voltage at the  $V_{FB}$  pin falls 2.5% below that float voltage.

Because the battery voltage is across the  $V_{BAT(FLT)}$  programming resistor divider, this divider will draw a small amount of current from the battery ( $I_{RFB}$ ) at a rate of:

$$I_{RFB} = 3.3 / R_{FB2}$$

Precision resistors in high values may be hard to obtain, so for some lower  $V_{BAT(FLT)}$  applications, it may be desirable to use smaller-value feedback resistors with an additional resistor ( $R_{FB3}$ ) to achieve the required 250k equivalent resistance. The resulting 3-resistor network, as shown in Figure 5, can ease component selection and/or increase output voltage precision, at the expense of additional current through the feedback divider.



**Figure 5. A Three-Resistor Feedback Network Can Ease Component Selection**

For a three-resistor network,  $R_{FB1}$  and  $R_{FB2}$  follow the relation:

$$R_{FB2} / R_{FB1} = 3.3 / (V_{BAT(FLT)} - 3.3)$$

Example:

For  $V_{BAT(FLT)} = 3.6V$ :

$$R_{FB2} / R_{FB1} = 3.3 / (3.6 - 3.3) = 11.$$

Setting divider current ( $I_{RFB}$ ) = 10 $\mu$ A yields:

$$R_{FB2} = 3.3 / 10\mu A$$

$$\mathbf{R_{FB2} = 330k}$$

Solving for  $R_{FB1}$ :

$$R_{FB1} = 330k / 11$$

$$\mathbf{R_{FB1} = 30k}$$

The divider equivalent resistance is:

$$R_{FB1} || R_{FB2} = 27.5k$$

## APPLICATIONS INFORMATION

To satisfy the 250k equivalent resistance to the  $V_{FB}$  pin:

$$R_{FB3} = 250k - 27.5k$$

$$R_{FB3} = 223k.$$

Because the  $V_{FB}$  pin is a relatively high impedance node, stray capacitances at this pin must be minimized. Special attention should be given to any stray capacitances that can couple external signals onto the pin, which can produce undesirable output transients or ripple. Effects of parasitic capacitance can typically be reduced by adding a small-value (20pF to 50pF) feedforward capacitor from the BAT pin to the  $V_{FB}$  pin.

Extra care should be taken during board assembly. Small amounts of board contamination can lead to significant shifts in output voltage. Appropriate post-assembly board cleaning measures should be implemented to prevent board contamination, and low-leakage solder flux is recommended.

### Input Supply Voltage Regulation

The LT3652HV contains a voltage monitor pin that enables programming a minimum operational voltage. Connecting a resistor divider from  $V_{IN}$  to the  $V_{IN\_REG}$  pin enables programming of minimum input supply voltage, typically used to program the peak power voltage for a solar panel. Maximum charge current is reduced when the  $V_{IN\_REG}$  pin is below the regulation threshold of 2.7V.

If an input supply cannot provide enough power to satisfy the requirements of an LT3652HV charger, the supply voltage will collapse. A minimum operating supply voltage can thus be programmed by monitoring the supply through a resistor divider, such that the desired minimum voltage corresponds to 2.7V at the  $V_{IN\_REG}$  pin. The LT3652HV servos the maximum output charge current to maintain the voltage on  $V_{IN\_REG}$  at or above 2.7V.

Programming of the desired minimum voltage is accomplished by connecting a resistor divider as shown in Figure 6. The ratio of  $R_{IN1}/R_{IN2}$  for a desired minimum voltage ( $V_{IN(MIN)}$ ) is:

$$R_{IN1}/R_{IN2} = (V_{IN(MIN)}/2.7) - 1$$

If the voltage regulation feature is not used, connect the  $V_{IN\_REG}$  pin to  $V_{IN}$ .

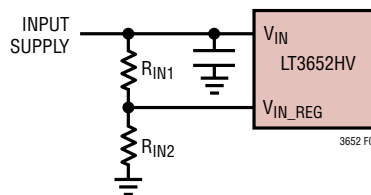


Figure 6. Resistor Divider Sets Minimum  $V_{IN}$

### MPPT Temperature Compensation

A typical solar panel is comprised of a number of series-connected cells, each cell being a forward-biased p-n junction. As such, the open-circuit voltage ( $V_{OC}$ ) of a solar cell has a temperature coefficient that is similar to a common p-n diode, or about  $-2mV/°C$ . The peak power point voltage ( $V_{MP}$ ) for a crystalline solar panel can be approximated as a fixed voltage below  $V_{OC}$ , so the temperature coefficient for the peak power point is similar to that of  $V_{OC}$ .

Panel manufacturers typically specify the 25°C values for  $V_{OC}$ ,  $V_{MP}$ , and the temperature coefficient for  $V_{OC}$ , making determination of the temperature coefficient for  $V_{MP}$  of a typical panel straight forward.

The LT3652HV employs a feedback network to program the  $V_{IN}$  input regulation voltage. Manipulation of the network makes for efficient implementation of various temperature compensation schemes for a maximum peak

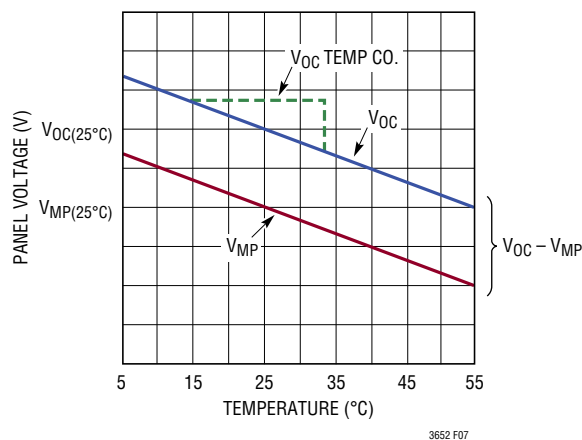
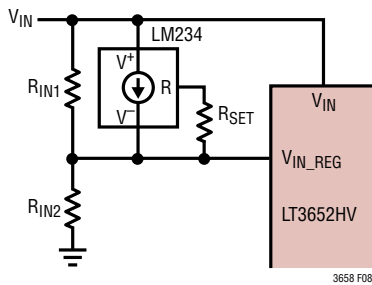


Figure 7. Temperature Characteristics for Solar Panel Output Voltage

## APPLICATIONS INFORMATION

power tracking (MPPT) application. As the temperature characteristic for a typical solar panel  $V_{MP}$  voltage is highly linear, a simple solution for tracking that characteristic can be implemented using an LM234 3-terminal temperature sensor. This creates an easily programmable, linear temperature dependent characteristic.

In the circuit shown in figure 8,



**Figure 8. MPPT Temperature Compensation Network**

$$R_{IN1} = -R_{SET} \cdot (TC \cdot 4405), \text{ and}$$

$$R_{IN2} = R_{IN1} / (\{ [V_{MP}(25^\circ\text{C}) + R_{IN1} \cdot (0.0674/R_{SET})] / V_{IN\_REG} \} - 1)$$

Where: TC = temperature coefficient (in  $V/^\circ\text{C}$ ), and  
 $V_{MP}(25^\circ\text{C})$  = maximum power voltage at  $25^\circ\text{C}$

For example, given a common 36-cell solar panel that has the following specified characteristics:

$$\text{Open Circuit Voltage } (V_{OC}) = 21.7\text{V}$$

$$\text{Maximum Power Voltage } (V_{MP}) = 17.6\text{V}$$

$$\text{Open-Circuit Voltage Temperature Coefficient } (V_{OC}) = -78\text{mV}/^\circ\text{C}$$

As the temperature coefficient for  $V_{MP}$  is similar to that of  $V_{OC}$ , the specified temperature coefficient for  $V_{OC}$  (TC) of  $-78\text{mV}/^\circ\text{C}$  and the specified peak power voltage ( $V_{MP}(25^\circ\text{C})$ ) of  $17.6\text{V}$  can be inserted into the equations to calculate the appropriate resistor values for the temperature compensation network in Figure 8. With  $R_{SET}$  equal to  $1000\Omega$ , then:

$$R_{SET} = 1\text{k}$$

$$R_{IN1} = -1\text{k} \cdot (-0.078 \cdot 4405) = 344\text{k}$$

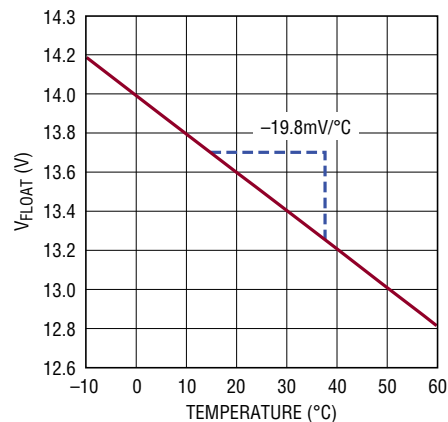
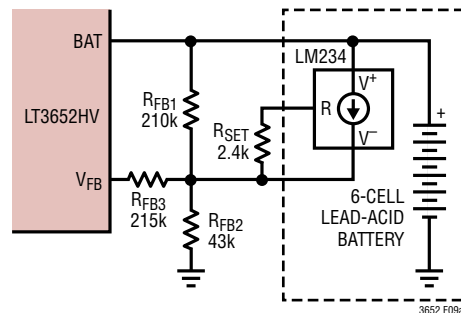
$$R_{IN2} = 344\text{k} / (\{ [17.6 + 344\text{k} \cdot (0.0674/1\text{k})] / 2.7 \} - 1) = 24.4\text{k}$$

## Battery Voltage Temperature Compensation

Some battery chemistries have charge voltage requirements that vary with temperature. Lead-acid batteries in particular experience a significant change in charge voltage requirements as temperature changes. For example, manufacturers of large lead-acid batteries recommend a float charge of  $2.25\text{V}/\text{cell}$  at  $25^\circ\text{C}$ . This battery float voltage, however, has a temperature coefficient which is typically specified at  $-3.3\text{mV}/^\circ\text{C}$  per cell.

In a manner similar to the MPPT temperature correction outlined previously, implementation of linear battery charge voltage temperature compensation can be accomplished by incorporating an LM234 into the output feedback network.

For example, a 6-cell lead acid battery has a float charge voltage that is commonly specified at  $2.25\text{V}/\text{cell}$  at  $25^\circ\text{C}$ , or  $13.5\text{V}$ , and a  $-3.3\text{mV}/^\circ\text{C}$  per cell temperature coefficient, or  $-19.8\text{mV}/^\circ\text{C}$ . Using the feedback network shown in Figure 9, with the desired temperature coefficient (TC)



**Figure 9. Lead-Acid 6-Cell Float Charge Voltage vs Temperature Has  $-19.8\text{mV}/^\circ\text{C}$  Characteristic Using LM234 with Feedback Network**

## APPLICATIONS INFORMATION

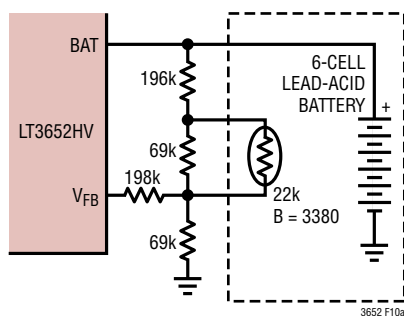
and 25°C float voltage ( $V_{\text{FLOAT}(25^\circ\text{C})}$ ) specified, and using a convenient value of 2.4k for  $R_{\text{SET}}$ , necessary resistor values follow the relations:

$$R_{\text{FB1}} = -R_{\text{SET}} \cdot (TC \cdot 4405) \\ = -2.4\text{k} \cdot (-0.0198 \cdot 4405) = \mathbf{210\text{k}}$$

$$R_{\text{FB2}} = R_{\text{FB1}} / (\{ [V_{\text{FLOAT}(25^\circ\text{C})} + R_{\text{FB1}} \cdot (0.0674 / R_{\text{SET}})] / V_{\text{FB}} - 1 \}) \\ = 210\text{k} / (\{ [13.5 + 210\text{k} \cdot (0.0674 / 2.4\text{k})] / 3.3 - 1 \}) \\ = \mathbf{43\text{k}}$$

$$R_{\text{FB3}} = 250\text{k} - R_{\text{FB1}} || R_{\text{FB2}} \\ = 250\text{k} - 210\text{k} || 43\text{k} = \mathbf{215\text{k}}$$
 (see the Battery Float Voltage Programming section)

While the circuit in Figure 9 creates a linear temperature characteristic that follows a typical  $-3.3\text{mV}/^\circ\text{C}$  per cell lead-acid specification, the theoretical float charge voltage characteristic is slightly nonlinear. This nonlinear characteristic follows the relation  $V_{\text{FLOAT}(1\text{-CELL})} = 4 \times 10^{-5} (T^2) - 6 \times 10^{-3} (T) + 2.375$  (with a 2.18V minimum), where T = temperature in °C. A thermistor-based network can be used to approximate the nonlinear ideal temperature characteristic across a reasonable operating range, as shown in Figure 10.



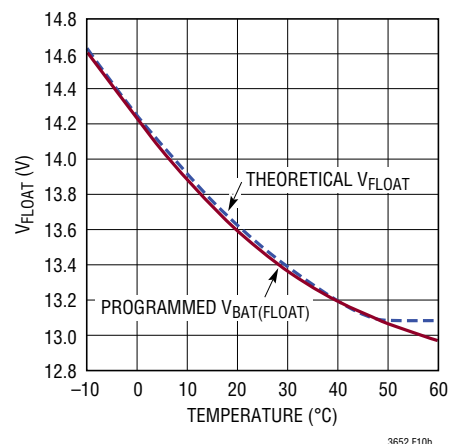
### Status Pins

The LT3652HV reports charger status through two open collector outputs, the  $\overline{\text{CHRG}}$  and  $\overline{\text{FAULT}}$  pins. These pins can accept voltages as high as  $V_{\text{IN}}$ , and can sink up to 10mA when enabled.

The  $\overline{\text{CHRG}}$  pin indicates that the charger is delivering current at greater than a C/10 rate, or 1/10th of the programmed maximum charge current. The  $\overline{\text{FAULT}}$  pin signals bad battery and NTC faults. These pins are binary coded, and signal following the table below, where *ON* indicates pin pulled low, and *OFF* indicates pin high-impedance:

STATUS PINS STATE		CHARGER STATUS
$\overline{\text{CHRG}}$	$\overline{\text{FAULT}}$	
OFF	OFF	Not Charging — Standby or Shutdown Mode
OFF	ON	Bad Battery Fault (Precondition Timeout / EOC Failure)
ON	OFF	Normal Charging at C/10 or Greater
ON	ON	NTC Fault (Pause)

If the battery is removed from an LT3652HV charger that is configured for C/10 termination, a sawtooth waveform



**Figure 10. Thermistor-Based Temperature Compensation Network Programs  $V_{\text{FLOAT}}$  to Closely Match Ideal Lead-Acid Float Charge Voltage for 6-Cell Charger**

## APPLICATIONS INFORMATION

of approximately 100mV appears at the charger output, due to cycling between termination and recharge events. This cycling results in pulsing at the  $\overline{\text{CHRG}}$  output. An LED connected to this pin will exhibit a blinking pattern, indicating to the user that a battery is not present. The frequency of this blinking pattern is dependent on the output capacitance.

### C/10 Termination

The LT3652HV supports a low-current based termination scheme, where a battery charge cycle terminates when the current output from the charger falls to below one-tenth of the maximum current, as programmed with  $R_{\text{SENSE}}$ . The C/10 threshold current corresponds to 10mV across  $R_{\text{SENSE}}$ . This termination mode is engaged by shorting the  $\text{TIMER}$  pin to ground.

When C/10 termination is used, a LT3652HV charger will source battery charge current as long as the average current level remains above the C/10 threshold. As the full-charge float voltage is achieved, the charge current falls until the C/10 threshold is reached, at which time the charger terminates and the LT3652HV enters standby mode. The  $\overline{\text{CHRG}}$  status pin follows the charger cycle, and is high impedance when the charger is not actively charging.

When  $V_{\text{BAT}}$  drops below 97.5% of the full-charged float voltage, whether by battery loading or replacement of the battery, the charger automatically re-engages and starts charging.

There is no provision for bad battery detection if C/10 termination is used.

### Timer Termination

The LT3652HV supports a timer based termination scheme, in which a battery charge cycle is terminated after a specific amount of time elapses. Timer termination is engaged when a capacitor ( $C_{\text{TIMER}}$ ) is connected from the  $\text{TIMER}$  pin to ground. The timer cycle EOC ( $T_{\text{EOC}}$ ) occurs based

on  $C_{\text{TIMER}}$  following the relation:

$$C_{\text{TIMER}} = T_{\text{EOC}} \cdot 2.27 \times 10^{-7} \quad (\text{Hours})$$

Timer EOC is typically set to 3 hours, which requires a 0.68 $\mu\text{F}$  capacitor.

The  $\overline{\text{CHRG}}$  status pin continues to signal charging at a C/10 rate, regardless of what termination scheme is used. When timer termination is used, the  $\overline{\text{CHRG}}$  status pin is pulled low during a charging cycle until the charger output current falls below the C/10 threshold. The charger continues to top-off the battery until timer EOC, when the LT3652HV terminates the charging cycle and enters standby mode.

Termination at the end of the timer cycle only occurs if the charging cycle was successful. A successful charge cycle is when the battery is charged to within 2.5% of the full-charge float voltage. If a charge cycle is not successful at EOC, the timer cycle resets and charging continues for another full timer cycle.

When  $V_{\text{BAT}}$  drops below 97.5% of the full-charge float voltage, whether by battery loading or replacement of the battery, the charger automatically reengages and starts charging.

### Preconditioning and Bad Battery Fault

A LT3652HV has a precondition mode, where charge current is limited to 15% of the programmed  $I_{\text{CHG(MAX)}}$ , as set by  $R_{\text{SENSE}}$ . The precondition current corresponds to 15mV across  $R_{\text{SENSE}}$ .

Precondition mode is engaged while the voltage on the  $V_{\text{FB}}$  pin is below the precondition threshold (2.3V, or  $0.7 \cdot V_{\text{BAT(FLT)}}$ ). Once the  $V_{\text{FB}}$  voltage rises above the precondition threshold, normal full-current charging can commence. The LT3652HV incorporates 70mV of threshold hysteresis to prevent mode glitching.

## APPLICATIONS INFORMATION

When the internal timer is used for termination, bad battery detection is engaged. There is no provision for bad battery detection if C/10 termination is used. A bad battery fault is triggered when the voltage on  $V_{FB}$  remains below the precondition threshold for greater than 1/8 of a full timer cycle (1/8 EOC). A bad battery fault is also triggered if a normally charging battery re-enters precondition mode after 1/8 EOC.

When a bad battery fault is triggered, the charging cycle is suspended, so the  $\overline{CHRG}$  status pin becomes high-impedance. The  $\overline{FAULT}$  pin is pulled low to signal a fault detection.

Cycling the charger's power or  $\overline{SHDN}$  function initiates a new charging cycle, but a LT3652HV charger does not require a reset. Once a bad battery fault is detected, a new timer charging cycle initiates when the  $V_{FB}$  pin exceeds the precondition threshold voltage. During a bad battery fault, 0.5mA is sourced from the charger, so removing the failed battery allows the charger output voltage to rise and initiate a charge cycle reset. As such, removing a bad battery resets the LT3652HV, so a new charge cycle is started by connecting another battery to the charger output.

### Battery Temperature Monitor and Fault

The LT3652HV can accommodate battery temperature monitoring by using an NTC (negative temperature co-efficient) thermistor close to the battery pack. The temperature monitoring function is enabled by connecting a 10k $\Omega$ , B = 3380 NTC thermistor from the NTC pin to ground. If the NTC function is not desired, leave the pin unconnected.

The NTC pin sources 50 $\mu$ A, and monitors the voltage dropped across the 10k $\Omega$  thermistor. When the voltage on this pin is above 1.36V (0 $^{\circ}$ C) or below 0.29V (40 $^{\circ}$ C), the battery temperature is out of range, and the LT3652HV triggers an NTC fault. The NTC fault condition remains until the voltage on the NTC pin corresponds to a temperature within the 0 $^{\circ}$ C to 40 $^{\circ}$ C range. Both hot and cold thresholds incorporate hysteresis that correspond to 5 $^{\circ}$ C.

If higher operational charging temperatures are desired, the temperature range can be expanded by adding series resistance to the 10k NTC resistor. Adding a 0.91k resistor will increase the effective hot temperature to 45 $^{\circ}$ C.

During an NTC fault, charging is halted and both status pins are pulled low. If timer termination is enabled, the timer count is suspended and held until the fault condition is relieved.

### Thermal Foldback

The LT3652HV contains a thermal foldback protection feature that reduces maximum charger output current if the IC junction temperature approaches 125 $^{\circ}$ C. In most cases, on-chip temperatures servo such that any excessive temperature conditions are relieved with only slight reductions in maximum charger current.

In some cases, the thermal foldback protection feature can reduce charger currents below the C/10 threshold. In applications that use C/10 termination (TIMER = 0V), the LT3652HV will suspend charging and enter standby mode until the excessive temperature condition is relieved.

### Layout Considerations

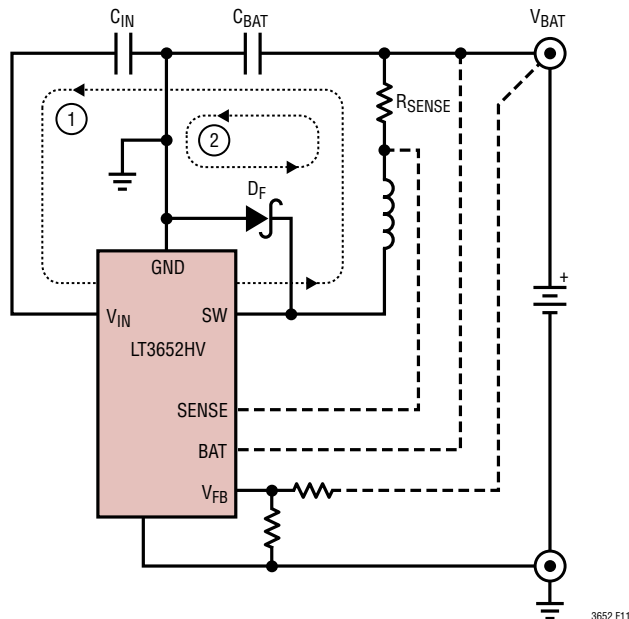
The LT3652HV switch node has rise and fall times that are typically less than 10nS to maximize conversion efficiency. The switch node (Pin SW) trace should be kept as short as possible to minimize high frequency noise. The input capacitor ( $C_{IN}$ ) should be placed close to the IC to minimize this switching noise. Short, wide traces on these nodes also help to avoid voltage stress from inductive ringing. The BOOST decoupling capacitor should also be in close proximity to the IC to minimize inductive ringing. The SENSE and BAT traces should be routed together, and these and the  $V_{FB}$  trace should be kept as short as possible. Shielding these signals from switching noise with a ground plane is recommended.

## APPLICATIONS INFORMATION

High current paths and transients should be kept isolated from battery ground, to assure an accurate output voltage reference. Effective grounding can be achieved by considering switched current in the ground plane, and careful component placement and orientation can effectively steer these high currents such that the battery reference does not get corrupted. Figure 11 illustrates an effective grounding scheme using component placement to control ground currents. When the switch is enabled (loop #1), current flows from the input bypass capacitor ( $C_{IN}$ ) through the switch and inductor to the battery posi-

tive terminal. When the switch is disabled (loop #2), the current to the battery positive terminal is provided from ground through the freewheeling Schottky diode ( $D_F$ ). In both cases, these switch currents return to ground via the output bypass capacitor ( $C_{BAT}$ ).

The LT3652HV packaging has been designed to efficiently remove heat from the IC via the Exposed Pad on the backside of the package, which is soldered to a copper footprint on the PCB. This footprint should be made as large as possible to reduce the thermal resistance of the IC case to ambient air.



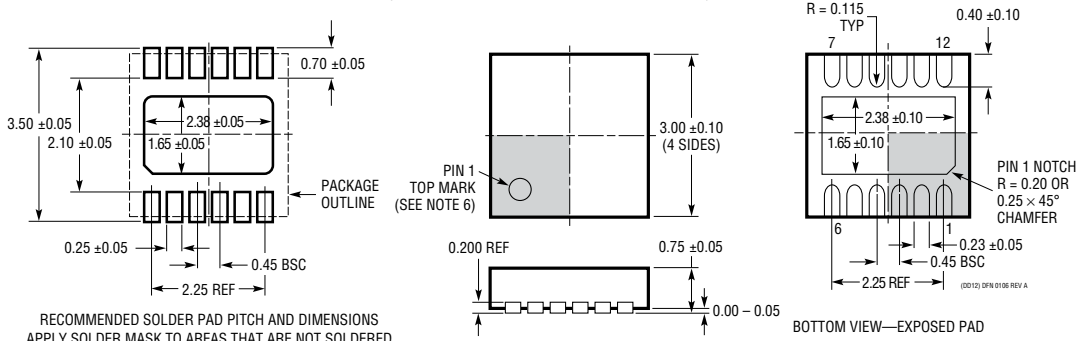
**Figure 11. Component Orientation Isolates High Current Paths from Sensitive Nodes**



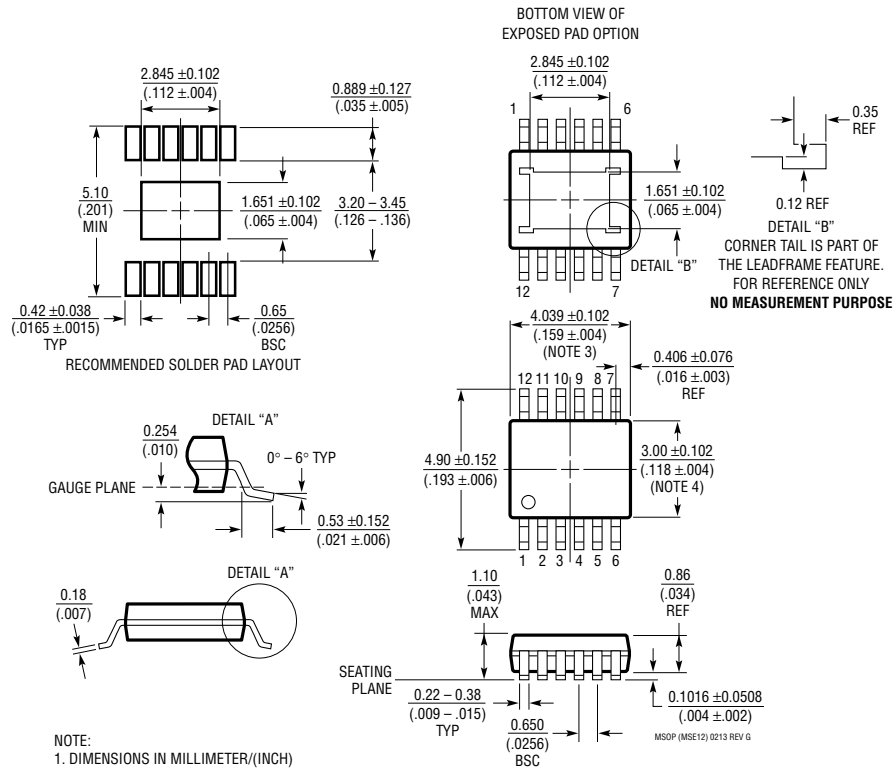
## PACKAGE DESCRIPTION

Please refer to <http://www.linear.com/product/LT3652HV#packaging> for the most recent package drawings.

### DD Package 12-Lead Plastic DFN (3mm × 3mm) (Reference LTC DWG # 05-08-1725 Rev A)



### MSE Package 12-Lead Plastic MSOP, Exposed Die Pad (Reference LTC DWG # 05-08-1666 Rev G)

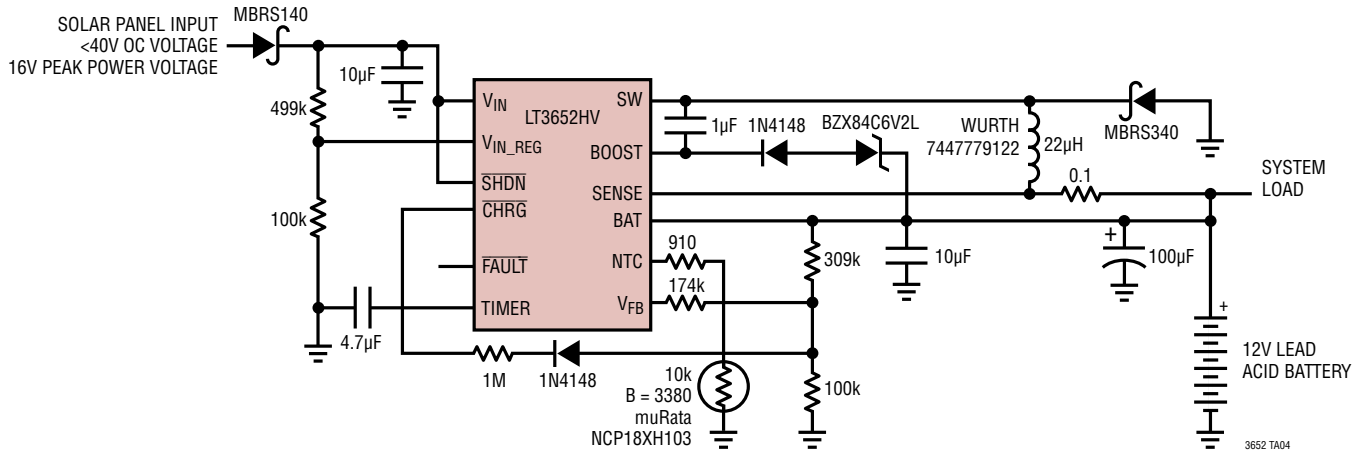


## REVISION HISTORY

REV	DATE	DESCRIPTION	PAGE NUMBER
A	01/13	Added new Battery Bias Current curve	6
B	01/16	Enhanced Pin Configuration	2
		Added Note 2 to top of Electrical Characteristics	3, 4
		Enhanced Note 2	4
		Changed Name of Pin 13	8
		Modified Inductor Selection section	13
		Modified Battery Float Voltage Programming Equations	15

## TYPICAL APPLICATION

**1A Solar Panel Powered 3-Stage 12V Lead-Acid Fast/Float Charger; 1A Charger Fast Charges with CC/CV Characteristics Up to 14.4V; When Charge Current Falls to 0.1A Charger Switches to 13.5V Float Charge Mode; Charger Re-Initiates 14.4V Fast Charge Mode if Battery Voltage Falls Below 13.2V and Trickle Charges at 0.15A if Battery Voltage is Below 10V; 0°C to 45°C Battery Temperature Charging Range**



## RELATED PARTS

PART NUMBER	DESCRIPTION	COMMENTS
<a href="#">LT3650-8.2/LT3650-8.4</a>	Monolithic 2A Switch Mode 2-Cell Li-Ion Battery Charger	Standalone, $9V \leq V_{IN} \leq 32V$ (40V Absolute Maximum), 1MHz, 2A Programmable Charge Current, Timer or C/10 Termination, Small and Few External Components, 3mm x 3mm DFN12 Package, -8.2 for 2 x 4.1V Float Voltage Batteries, -8.4 for 2 x 4.2V Float Voltage Batteries
<a href="#">LTC4001/LTC4001-1</a>	Monolithic 2A Switch Mode Synchronous Li-Ion Battery Charger	Standalone, $4V \leq V_{IN} \leq 5.5V$ (6V Absolute Maximum, 7V Transient), 1.5MHz, Synchronous Rectification Efficiency >90%, Adjustable Timer Termination, Small and Few External Components, 4mm x 4mm QFN-16 Package -1 for 4.1V Float Voltage Batteries
<a href="#">LTC4002</a>	Switch Mode Lithium-Ion Battery Charger	Standalone, $4.7V \leq V_{IN} \leq 24V$ , 500kHz Frequency, 3 Hour Charge Termination
<a href="#">LTC4006</a>	Small, High Efficiency, Fixed Voltage, Lithium-Ion Battery Charger with Termination and Thermistor Sensor	Complete Charger for 3- or 4-Cell Li-Ion Batteries, AC Adapter Current Limit, 16-Pin Narrow SSOP Package
<a href="#">LTC4007</a>	High Efficiency, Programmable Voltage Battery Charger with Termination	Complete Charger for 3- or 4-Cell Li-Ion Batteries, AC Adapter Current Limit, Thermistor Sensor and Indicator Outputs
<a href="#">LTC4008</a>	4A, High Efficiency, Multi-Chemistry Battery Charger	Constant-Current/Constant-Voltage Switching Regulator Charger, Resistor Voltage/Current Programming, AC Adapter Current Limit and Thermistor Sensor and Indicator Outputs
<a href="#">LTC4012/LTC4012-1/ LTC4012-2/LTC4012-3</a>	4A, High Efficiency, Multi-Chemistry Battery Charger with PowerPath™ Control	PowerPath Control, Constant-Current/Constant-Voltage Switching Regulator Charger, Resistor Voltage/Current Programming, AC Adapter Current Limit and Thermistor Sensor and Indicator Outputs 1 to 4 Cell Li, Up to 18 Cell Ni, SLA and Supercap Compatible; 4mm x 4mm QFN-20 Package -1 Version for 4.1V Li Cells, -2 Version for 4.2V Li Cells, -3 Version has Extra GND Pin
<a href="#">LTC4015</a>	Multichemistry Buck Battery Charger Controller with Digital Telemetry System	Multichemistry Li-Ion/Polymer, LiFePO <sub>4</sub> , or Lead-Acid Battery Charger with Termination, Digital Telemetry System Monitors $V_{BAT}$ , $I_{BAT}$ , $R_{BAT}$ , NTC Ratio (Battery Temperature), $V_{IN}$ , $I_{IN}$ , $V_{SYSTEM}$ , Die Temperature, Coulomb Counter and Integrated 14-Bit ADC, Maximum Power Point Tracking, Wide Charging Input Voltage Range: 4.5V to 35V, Wide Battery Voltage Range: Up to 35V, 5mm x 7mm QFN-38 Package
<a href="#">LTC4020</a>	55V Buck-Boost Multi-Chemistry Battery Charger	Wide Voltage Range: 4.5V to 55V Input, Up to 55V Output (60V Absolute Maximums), Synchronous Buck-Boost DC/DC Controller, Li-Ion and Lead-Acid Charge Algorithms, Input Voltage Regulation for High Impedance Input Supplies and Solar Panel Peak Power Operation, Low Profile (0.75mm) 38-Pin 5mm x 7mm QFN Package

3652hvfb

## Looking for pricing, stock, or lifecycle information?

Click below to explore more details on WIN SOURCE:

- ⊖ [View LT3652HVIDD#TRPBF on WIN SOURCE](#)
- ⊖ [Analog Devices Inc. Information](#)

## Optimize Your Supply Chain with WIN SOURCE Solutions

- ✓ Global Sourcing Solution
- ✓ Obsolete Management
- ✓ Cost Control Management
- ✓ Shortage Management
- ✓ Alternative Solution
- ✓ Excess Inventory Management