



THE DATASHEET OF
0429003.WRM



Surface Mount Fuses

Thin-Film Surface Mount

1206 Very Fast-Acting Fuse 429 Series



• For new designs please consult the 433 or 466 Series on pages 258-260.

ELECTRICAL CHARACTERISTICS:

| % of Ampere Rating | Opening Time at 25°C |
|--------------------|-----------------------------|
| 100% | 4 hours, Minimum |
| 200% | 5 seconds, Maximum |
| 300% | 0.2 seconds, Maximum |

AGENCY APPROVALS: Recognized under the Components Program of Underwriters Laboratories and Certified by CSA.

AGENCY FILE NUMBERS: UL E10480, CSA LR 29862.

INTERRUPTING RATINGS:

0.125 – 3A 50 amperes at rated voltage, VAC/VDC
 4 – 7A 35 amperes at rated voltage, VAC/VDC

ENVIRONMENTAL SPECIFICATIONS:

Operating Temperature: –55°C to 90°C. Consult temperature derating chart on page 4. For operation above 90°C contact Littelfuse.

Vibration: Withstands 10–55 Hz per MIL-STD-202F, Method 201A and 10-2000 Hz at 20 G's per MIL-STD-202F, Method 204D, Condition D.

Insulation Resistance (After Opening): Greater than 10 KOhm.

Resistance to Soldering Heat: Withstands 60 seconds above 200°C up to 260°C, maximum.

Thermal Shock: Withstands 5 cycles of –55° to 125°C.

PHYSICAL SPECIFICATIONS:

Materials: Body: Epoxy Substrate
 Terminations: Copper/Nickel/Tin-Lead (95/5)
 Cover Coat: Conformal Coating

Soldering Parameters:

Reflow Solder — 260°C, 30 seconds maximum

PACKAGING SPECIFICATIONS: 8mm Tape and Reel per EIA-RS481-1 (IEC 286, part 3); 3,000 per reel, add packaging suffix, WR.

PATENTED

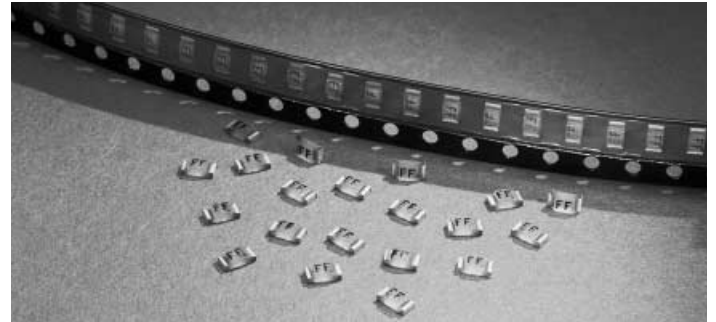
ORDERING INFORMATION:

For New Designs Use 433 or 466 Series.

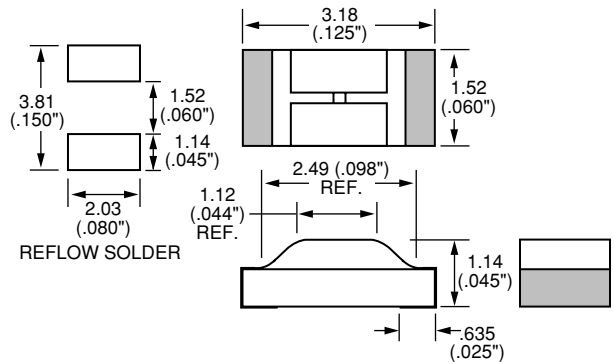
| Catalog Number | Ampere Rating | Marking Code | Nominal Voltage Rating | Nominal Resistance Cold Ohms ¹ | Melting I ² t (A ² Sec.) ² |
|----------------|---------------|--------------|------------------------|-------------------------------------------|-------------------------------------------------------------|
| 429.125 | 0.125 | FB | 125 | 2.30000 | 0.00020 |
| 429.200 | 0.200 | FC | 125 | 0.93800 | 0.00055 |
| 429.250 | 0.250 | FD | 125 | 0.62500 | 0.00100 |
| 429.375 | 0.375 | FE | 125 | 0.37500 | 0.00280 |
| 429.500 | 0.500 | FF | 63 | 0.24050 | 0.0060 |
| 429.750 | 0.75 | FG | 63 | 0.13700 | 0.0170 |
| 429.001 | 1.00 | FH | 63 | 0.09950 | 0.035 |
| 429.1.25 | 1.25 | FJ | 63 | 0.07475 | 0.065 |
| 429.01.5 | 1.50 | FK | 63 | 0.06250 | 0.125 |
| 429.1.75 | 1.75 | FL | 63 | 0.05000 | 0.150 |
| 429.002 | 2.0 | FN | 63 | 0.03975 | 0.230 |
| 429.02.5 | 2.5 | FO | 32 | 0.03065 | 0.500 |
| 429.003 | 3.0 | FP | 32 | 0.02625 | 0.700 |
| 429.004 | 4.0 | FS | 24 | 0.01926 | 1.50 |
| 429.005 | 5.0 | FT | 24 | 0.01375 | 2.70 |
| 429.007 | 7.0 | FU | 24 | 0.00925 | 3.60 |

¹Measured at 10% of rated current, 25°C.

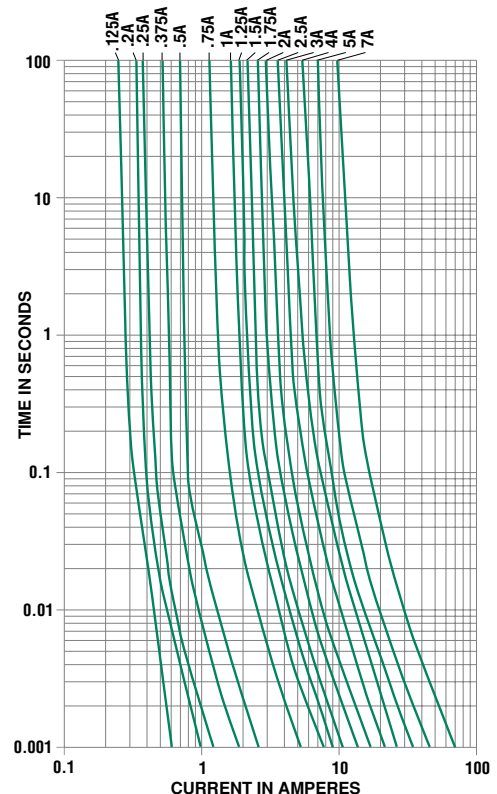
²Measured at rated voltage.



RECOMMENDED PAD LAYOUTS



Average Time Current Curves



Looking for pricing, stock, or lifecycle information?

Click below to explore more details on WIN SOURCE:

 [View 0429003.WRM on WIN SOURCE](#)

 [Littelfuse Inc. Information](#)

Optimize Your Supply Chain with WIN SOURCE Solutions

-  Global Sourcing Solution
-  Obsolete Management
-  Cost Control Management
-  Shortage Management
-  Alternative Solution
-  Excess Inventory Management