



**THE DATASHEET OF  
LM95231BIMMX-2**



# LM95231 Precision Dual Remote Diode Temperature Sensor with SMBus Interface and TruTherm™ Technology

Check for Samples: [LM95231](#)

## FEATURES

- Accurately Senses Die Temperature of Remote ICs or Diode Junctions
- Uses TruTherm Technology for Precision “Thermal Diode” Temperature Measurement
- Thermal Diode Input Stage with Analog Filtering
- Thermal Diode Digital Filtering
- Intel Pentium 4 Processor on 90nm Process or 2N3904 Non-ideality Selection
- Remote Diode Fault Detection
- On-board Local Temperature Sensing
- Remote Temperature Readings Without Digital Filtering:
  - 0.125°C LSB
  - 10-bits Plus Sign or 11-bits Programmable Resolution
  - 11-bits Resolves Temperatures Above 127 °C
- Remote Temperature Readings with Digital Filtering:
  - 0.03125°C LSB with Filtering
  - 12-bits Plus Sign or 13-bits Programmable Resolution
  - 13-bits Resolves Temperatures Above 127°C
- Local Temperature Readings:
  - 0.25°C
  - 9-bits Plus Sign
- Status Register Support
- Programmable Conversion Rate Allows User Optimization of Power Consumption
- Shutdown Mode One-shot Conversion Control
- SMBus 2.0 Compatible Interface, Supports TIMEOUT
- 8-pin VSSOP Package

## KEY SPECIFICATIONS

- Remote Temperature Accuracy  $\pm 0.75^{\circ}\text{C}$  (max)
- Local Temperature Accuracy  $\pm 3.0^{\circ}\text{C}$  (max)
- Supply Voltage 3.0V to 3.6V
- Supply Current 402 $\mu\text{A}$  (typ)

## APPLICATIONS

- Processor/Computer System Thermal Management
  - e.g. Laptop, Desktop, Workstations, Server)
- Electronic Test Equipment
- Office Electronics

## DESCRIPTION

The LM95231 is a precision dual remote diode temperature sensor (RDTS) that uses Texas Instruments' TruTherm technology. The 2-wire serial interface of the LM95231 is compatible with SMBus 2.0. The LM95231 can sense three temperature zones, it can measure the temperature of its own die as well as two diode connected transistors. The LM95231 includes digital filtering and an advanced input stage that includes analog filtering and TruTherm technology that reduces processor-to-processor non-ideality spread. The diode connected transistors can be a “thermal diode” as found in Intel and AMD processors or can simply be a diode connected MMBT3904 transistor. TruTherm technology allows accurate measurement of “thermal diodes” found on small geometry processes, 90nm and below. The LM95231 supports user selectable thermal diode non-ideality of either a Pentium 4 processor on 90nm process or 2N3904.

The LM95231 resolution format for remote temperature readings can be programmed to be 11-bits signed or unsigned with the digital filtering disabled. When the filtering is enabled the resolution increases to 13-bits signed or unsigned. In the unsigned mode the LM95231 remote diode readings can resolve temperatures above 127°C. Local temperature readings have a resolution of 9-bits plus sign.



Please be aware that an important notice concerning availability, standard warranty, and use in critical applications of Texas Instruments semiconductor products and disclaimers thereto appears at the end of this data sheet.

All trademarks are the property of their respective owners.

## Connection Diagram

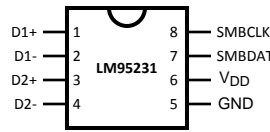
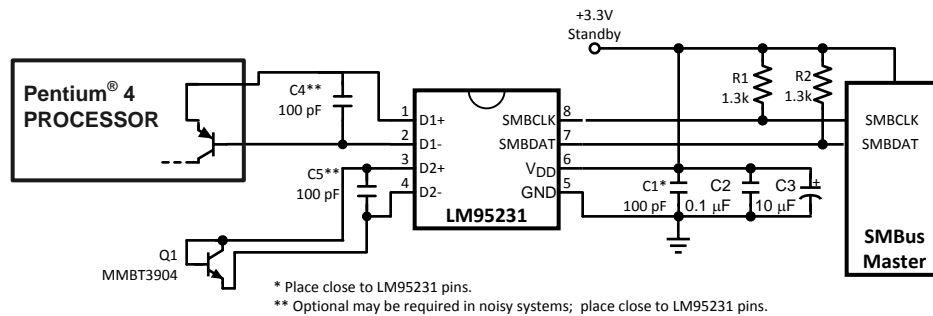


Figure 1. VSSOP-8 TOP VIEW

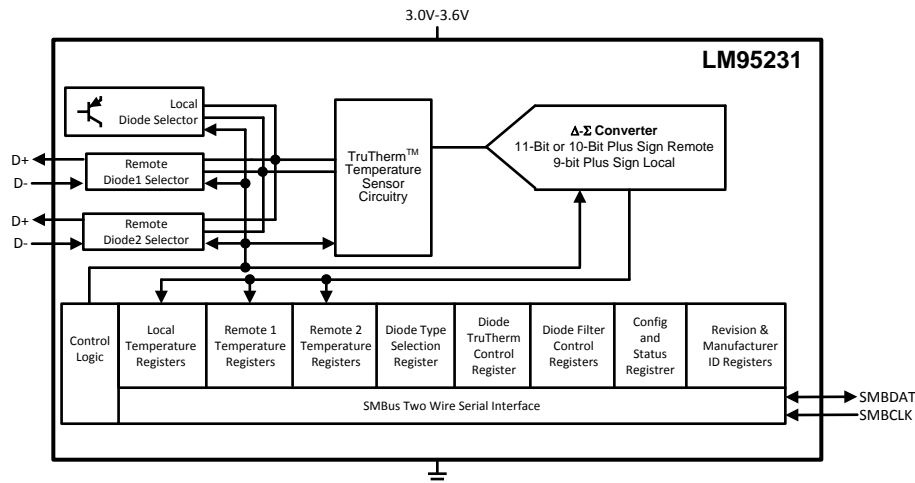
## Typical Application



## PIN DESCRIPTIONS

Label	Pin #	Function	Typical Connection
D1+	1	Diode Current Source	To Diode Anode. Connected to remote discrete diode-connected transistor junction or to the diode-connected transistor junction on a remote IC whose die temperature is being sensed. A capacitor is not required between D1+ and D1-. A 100 pF capacitor between D1+ and D1- can be added and may improve performance in noisy systems.
D1-	2	Diode Return Current Sink	To Diode Cathode. A capacitor is not required between D1+ and D1-. A 100 pF capacitor between D1+ and D1- can be added and may improve performance in noisy systems.
D2+	3	Diode Current Source	To Diode Anode. Connected to remote discrete diode-connected transistor junction or to the diode-connected transistor junction on a remote IC whose die temperature is being sensed. A capacitor is not required between D2+ and D2-. A 100 pF capacitor between D2+ and D2- can be added and may improve performance in noisy systems.
D2-	4	Diode Return Current Sink	To Diode Cathode. A capacitor is not required between D2+ and D2-. A 100 pF capacitor between D2+ and D2- can be added and may improve performance in noisy systems.
GND	5	Power Supply Ground	System low noise ground
V <sub>DD</sub>	6	Positive Supply Voltage Input	DC Voltage from 3.0 V to 3.6 V. V <sub>DD</sub> should be bypassed with a 0.1 μF capacitor in parallel with 100 pF. The 100 pF capacitor should be placed as close as possible to the power supply pin. Noise should be kept below 200 mVp-p, a 10 μF capacitor may be required to achieve this.
SMBDAT	7	SMBus Bi-Directional Data Line, Open-Drain Output	From and to Controller; may require an external pull-up resistor
SMBCLK	8	SMBus Clock Input	From Controller; may require an external pull-up resistor

## Simplified Block Diagram



These devices have limited built-in ESD protection. The leads should be shorted together or the device placed in conductive foam during storage or handling to prevent electrostatic damage to the MOS gates.

## Absolute Maximum Ratings<sup>(1)</sup>

Supply Voltage		
Voltage at SMBDAT, SMBCLK		-0.3 V to 6.0 V-0.5V to 6.0V
Voltage at Other Pins		-0.3 V to (V <sub>DD</sub> + 0.3 V)
Input Current at All Pins <sup>(2)</sup>		±5 mA
Package Input Current <sup>(2)</sup>		30 mA
SMBDAT Output Sink Current		10 mA
Junction Temperature <sup>(3)</sup>		125°C
Storage Temperature		-65°C to +150°C
ESD Susceptibility <sup>(4)</sup>	Human Body Model	2000 V
	Machine Model	200 V
Soldering process must comply with Texas Instruments' reflow temperature profile specifications. Refer to <a href="http://www.ti.com/packaging/">http://www.ti.com/packaging/</a> . <sup>(5)</sup>		

- (1) Absolute Maximum Ratings indicate limits beyond which damage to the device may occur. Operating Ratings indicate conditions for which the device is ensured to be functional, but do not ensure specific performance limits. For ensured specifications and test conditions, see the Electrical Characteristics. The ensured specifications apply only for the test condition listed. Some performance characteristics may degrade when the device is not operated under the listed test conditions. Operation of the device beyond the Maximum Operating Ratings is not recommended.
- (2) When the input voltage (V<sub>I</sub>) at any pin exceeds the power supplies (V<sub>I</sub> < GND or V<sub>I</sub> > V<sub>DD</sub>), the current at that pin should be limited to 5 mA. Parasitic components and/or ESD protection circuitry are shown in Figure 2 and Table 1 for the LM95231's pins. Care should be taken not to forward bias the parasitic diode, D1, present on pins: D1+, D2+, D1-, D2-. Doing so by more than 50 mV may corrupt the temperature measurements.
- (3) Thermal resistance junction-to-ambient when attached to a printed circuit board with 1oz. foil and no airflow:  
— VSSOP-8 = 210°C/W
- (4) Human body model, 100pF discharged through a 1.5kΩ resistor. Machine model, 200pF discharged directly into each pin.
- (5) Reflow temperature profiles are different for packages containing lead (Pb) than for those that do not.

## Operating Ratings<sup>(1)(2)</sup>

Operating Temperature Range	0°C to +125°C
Electrical Characteristics Temperature Range	$T_{MIN} \leq T_A \leq T_{MAX}$
LM95231BIMM, LM95231CIMM	0°C $\leq T_A \leq$ +85°C
Supply Voltage Range (V <sub>DD</sub> )	+3.0V to +3.6V

- (1) Absolute Maximum Ratings indicate limits beyond which damage to the device may occur. Operating Ratings indicate conditions for which the device is ensured to be functional, but do not ensure specific performance limits. For ensured specifications and test conditions, see the Electrical Characteristics. The ensured specifications apply only for the test condition listed. Some performance characteristics may degrade when the device is not operated under the listed test conditions. Operation of the device beyond the Maximum Operating Ratings is not recommended.
- (2) Thermal resistance junction-to-ambient when attached to a printed circuit board with 1oz. foil and no airflow:  
— VSSOP-8 = 210°C/W

## Temperature-to-Digital Converter Characteristics

Unless otherwise noted, these specifications apply for V<sub>DD</sub>=+3.0Vdc to 3.6Vdc. **Boldface limits apply for T<sub>A</sub> = T<sub>J</sub> = T<sub>MIN</sub> ≤ T<sub>A</sub> ≤ T<sub>MAX</sub>**; all other limits T<sub>A</sub> = T<sub>J</sub> = +25°C, unless otherwise noted. T<sub>J</sub> is the junction temperature of the LM95231. T<sub>D</sub> is the junction temperature of the remote thermal diode.

PARAMETER	TEST CONDITIONS	Typical <sup>(1)</sup>	LM9523	LM9523	UNIT
			1 BIMM Limits <sup>(2)</sup>	1 CIMM Limits <sup>(2)</sup>	
Accuracy Using Local Diode	T <sub>A</sub> = 0°C to +85°C <sup>(3)(4)</sup>	±1	±3	±3	°C (max)
Accuracy Using Remote Diode, see <sup>(5)</sup> for Thermal Diode Processor Type.	T <sub>A</sub> = +20°C to +40°C; T <sub>D</sub> = +45°C to +85°C		±0.75		°C (max)
	T <sub>A</sub> = +20°C to +40°C; T <sub>D</sub> = +45°C to +85°C	Intel 90nm Thermal Diode	±1.25		°C (max)
	T <sub>A</sub> = +20°C to +40°C; T <sub>D</sub> = +45°C to +85°C	MMBT3904 Thermal Diode		±1.25	°C (max)
	T <sub>A</sub> = +0°C to +85°C; T <sub>D</sub> = +25°C to +140°C	Intel 90nm and MMBT3904 Thermal Diodes	±2.5	±2.5	°C (max)
Remote Diode Measurement Resolution with filtering turned off		10+sign/ 11			Bits
		0.125			°C
Remote Diode Measurement Resolution with digital filtering turned on		12+sign/ 13			Bits
		0.03125			°C
Local Diode Measurement Resolution		9+sign			Bits
		0.25			°C
Conversion Time of All Temperatures at the Fastest Setting	See <sup>(6)</sup> TruTherm Mode Disabled	75.8	<b>83.9</b>	<b>83.9</b>	ms (max)
	TruTherm Mode enabled	79.2	<b>87.7</b>	<b>87.7</b>	ms (max)
Average Quiescent Current <sup>(7)</sup>	SMBus Inactive, 1 Hz conversion rate	402	<b>545</b>	<b>545</b>	µA (max)
	Shutdown	272			µA
D- Source Voltage		0.4			V

- (1) Typicals are at T<sub>A</sub> = 25°C and represent most likely parametric norm at time of product characterization. The typical specifications are not ensured.
- (2) Limits are specified to AOQL (Average Outgoing Quality Level).
- (3) Local temperature accuracy does not include the effects of self-heating. The rise in temperature due to self-heating is the product of the internal power dissipation of the LM95231 and the thermal resistance. See [Note 2](#) of the Operating Ratings table for the thermal resistance to be used in the self-heating calculation.
- (4) Thermal resistance junction-to-ambient when attached to a printed circuit board with 1oz. foil and no airflow:  
— VSSOP-8 = 210°C/W
- (5) The accuracy of the LM95231 is ensured when using the thermal diode of Pentium 4 processor on 90nm process or an MMBT3904 type transistor, as selected in the Remote Diode Model Select register.
- (6) This specification is provided only to indicate how often temperature data is updated. The LM95231 can be read at any time without regard to conversion state (and will yield last conversion result).
- (7) Quiescent current will not increase substantially when the SMBus is active.

## Temperature-to-Digital Converter Characteristics (continued)

Unless otherwise noted, these specifications apply for  $V_{DD}=+3.0\text{Vdc}$  to  $3.6\text{Vdc}$ . **Boldface limits apply for  $T_A = T_J = T_{MIN} \leq T_A \leq T_{MAX}$** ; all other limits  $T_A = T_J = +25^\circ\text{C}$ , unless otherwise noted.  $T_J$  is the junction temperature of the LM95231.  $T_D$  is the junction temperature of the remote thermal diode.

PARAMETER	TEST CONDITIONS	Typical <sup>(1)</sup>	LM95231 BIMM Limits <sup>(2)</sup>	LM95231 C1MM Limits <sup>(2)</sup>	UNIT
Diode Source Current Ratio		16			
Diode Source Current	$(V_{D+} - V_{D-}) = + 0.65\text{V}$ ; high-level	176	<b>300</b>	<b>300</b>	$\mu\text{A}$ (max)
			<b>100</b>	<b>100</b>	$\mu\text{A}$ (min)
	Low-level	11			$\mu\text{A}$
Power-On Reset Threshold	Measure on $V_{DD}$ input, falling edge		<b>2.7</b> <b>1.8</b>	<b>2.7</b> <b>1.8</b>	V (max) V (min)

## Logic Electrical Characteristics Digital DC Characteristics

Unless otherwise noted, these specifications apply for  $V_{DD}=+3.0$  to  $3.6$  Vdc. **Boldface limits apply for  $T_A = T_J = T_{MIN}$  to  $T_{MAX}$** ; all other limits  $T_A = T_J = +25^\circ\text{C}$ , unless otherwise noted.

Symbol	Parameter	Conditions	Typical <sup>(1)</sup>	Limits <sup>(2)</sup>	Units (Limit)
<b>SMBDAT, SMBCLK INPUTS</b>					
$V_{IN(1)}$	Logical "1" Input Voltage			<b>2.1</b>	V (min)
$V_{IN(0)}$	Logical "0" Input Voltage			<b>0.8</b>	V (max)
$V_{IN(HYST)}$	SMBDAT and SMBCLK Digital Input Hysteresis		400		mV
$I_{IN(1)}$	Logical "1" Input Current	$V_{IN} = V_{DD}$	0.005	<b><math>\pm 10</math></b>	$\mu\text{A}$ (max)
$I_{IN(0)}$	Logical "0" Input Current	$V_{IN} = 0\text{V}$	-0.005	<b><math>\pm 10</math></b>	$\mu\text{A}$ (max)
$C_{IN}$	Input Capacitance		5		pF
<b>SMBDAT OUTPUT</b>					
$I_{OH}$	High Level Output Current	$V_{OH} = V_{DD}$		<b>10</b>	$\mu\text{A}$ (max)
$V_{OL}$	SMBus Low Level Output Voltage	$I_{OL} = 4\text{mA}$		<b>0.4</b>	V (max)
		$I_{OL} = 6\text{mA}$		<b>0.6</b>	

(1) Typicals are at  $T_A = 25^\circ\text{C}$  and represent most likely parametric norm at time of product characterization. The typical specifications are not ensured.

(2) Limits are specified to AOQL (Average Outgoing Quality Level).

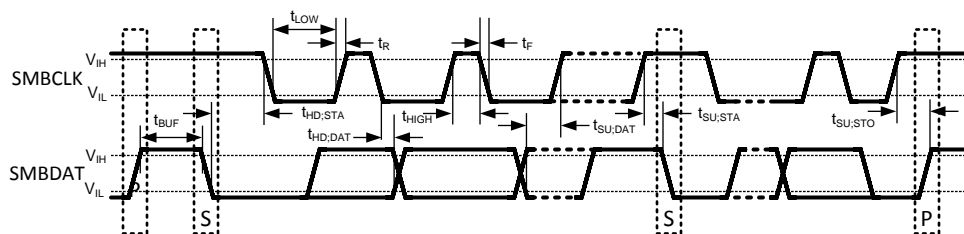
## Logic Electrical Characteristics SMBus Digital Switching Characteristics

Unless otherwise noted, these specifications apply for  $V_{DD}=+3.0$  Vdc to  $+3.6$  Vdc,  $C_L$  (load capacitance) on output lines = 80 pF. **Boldface limits apply for  $T_A = T_J = T_{MIN}$  to  $T_{MAX}$** ; all other limits  $T_A = T_J = +25^\circ\text{C}$ , unless otherwise noted.

The switching characteristics of the LM95231 fully meet or exceed the published specifications of the SMBus version 2.0. The following parameters are the timing relationships between SMBCLK and SMBDAT signals related to the LM95231. They adhere to but are not necessarily the SMBus bus specifications.

Symbol	Parameter	Conditions	Typical <sup>(1)</sup>	Limits <sup>(2)</sup>	Units (Limit)
$f_{SMB}$	SMBus Clock Frequency			<b>100</b> <b>10</b>	kHz (max) kHz (min)
$t_{LOW}$	SMBus Clock Low Time	from $V_{IN(0)max}$ to $V_{IN(0)max}$		<b>4.7</b> <b>25</b>	$\mu\text{s}$ (min) ms (max)
$t_{HIGH}$	SMBus Clock High Time	from $V_{IN(1)min}$ to $V_{IN(1)min}$		<b>4.0</b>	$\mu\text{s}$ (min)
$t_{R,SMB}$	SMBus Rise Time	See <sup>(3)</sup>	1		$\mu\text{s}$ (max)
$t_{F,SMB}$	SMBus Fall Time	See <sup>(4)</sup>	0.3		$\mu\text{s}$ (max)
$t_{OF}$	Output Fall Time	$C_L = 400\text{pF}$ , $I_O = 3\text{mA}$ <sup>(4)</sup>		<b>250</b>	ns (max)
$t_{TIMEOUT}$	SMBDAT and SMBCLK Time Low for Reset of Serial Interface <sup>(5)</sup>			<b>25</b> <b>35</b>	ms (min) ms (max)
$t_{SU,DAT}$	Data In Setup Time to SMBCLK High			<b>250</b>	ns (min)
$t_{HD,DAT}$	Data Out Stable after SMBCLK Low			<b>300</b> <b>1075</b>	ns (min) ns (max)
$t_{HD,STA}$	Start Condition SMBDAT Low to SMBCLK Low (Start condition hold before the first clock falling edge)			<b>100</b>	ns (min)
$t_{SU,STO}$	Stop Condition SMBCLK High to SMBDAT Low (Stop Condition Setup)			<b>100</b>	ns (min)
$t_{SU,STA}$	SMBus Repeated Start-Condition Setup Time, SMBCLK High to SMBDAT Low			<b>0.6</b>	$\mu\text{s}$ (min)
$t_{BUF}$	SMBus Free Time Between Stop and Start Conditions			<b>1.3</b>	$\mu\text{s}$ (min)

- (1) Typicals are at  $T_A = 25^\circ\text{C}$  and represent most likely parametric norm at time of product characterization. The typical specifications are not ensured.
- (2) Limits are specified to AOQL (Average Outgoing Quality Level).
- (3) The output rise time is measured from  $(V_{IN(0)max} + 0.15\text{V})$  to  $(V_{IN(1)min} - 0.15\text{V})$ .
- (4) The output fall time is measured from  $(V_{IN(1)min} - 0.15\text{V})$  to  $(V_{IN(1)min} + 0.15\text{V})$ .
- (5) Holding the SMBDAT and/or SMBCLK lines Low for a time interval greater than  $t_{TIMEOUT}$  will reset the LM95231's SMBus state machine, therefore setting SMBDAT and SMBCLK pins to a high impedance state.



**Figure 2. SMBus Communication**

**Table 1. Parasitic components and ESD protection circuitry**

Pin #	Circuit	Pin ESD Protection Structure Circuits
1	A	<p><b>Circuit A</b></p>
2	A	
3	A	
4	A	
5	B	<p><b>Circuit B</b></p>
6	B	
7	C	
8	C	<p><b>Circuit C</b></p>

### Typical Performance Characteristics

**Thermal Diode Capacitor or PCB Leakage Current Effect  
Remote Diode Temperature Reading**

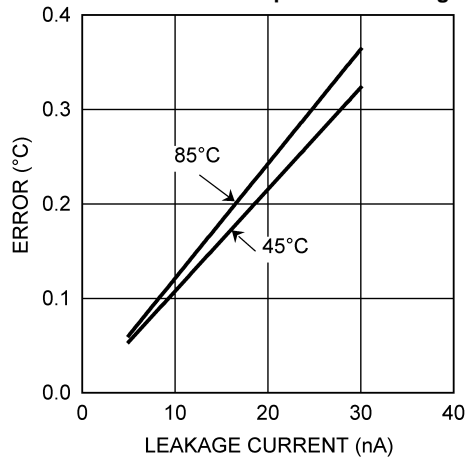


Figure 3.

**Remote Temperature Reading Sensitivity to Thermal Diode  
Filter Capacitance**

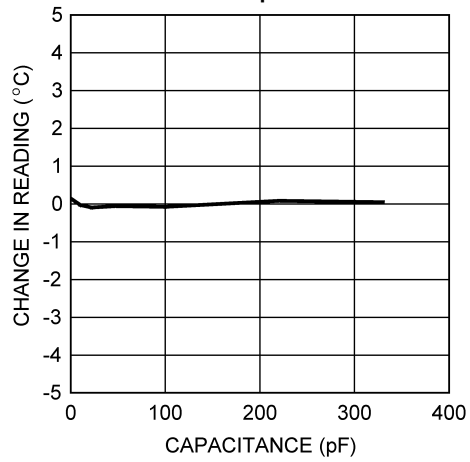


Figure 4.

**Conversion Rate Effect on Average Power Supply Current**

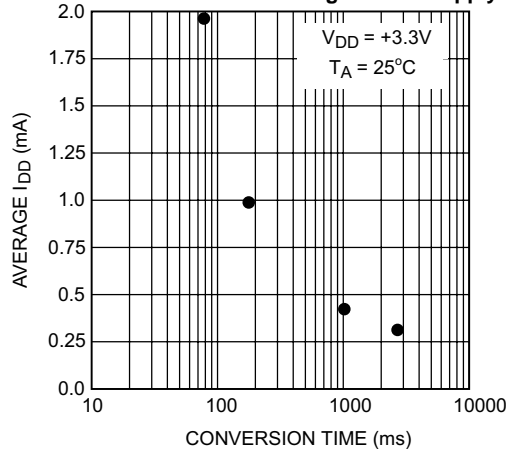


Figure 5.

## FUNCTIONAL DESCRIPTION

The LM95231 is a digital sensor that can sense the temperature of 3 thermal zones using a sigma-delta analog-to-digital converter. It can measure its local die temperature and the temperature of two external transistor junctions using a  $\Delta V_{be}$  temperature sensing method. The LM95231 can support two external transistor types, a Pentium 4 processor on 90nm process thermal diode or a 2N3904 diode connected transistor. The transistor type is register programmable and does not require software intervention after initialization. The LM95231 has an advanced input stage using Texas Instruments' TruTherm technology that reduces the spread in non-ideality found in Pentium 4 processors on 90nm process. Internal analog filtering has been included in the thermal diode input stage thus minimizing the need for external thermal diode filter capacitors. In addition a digital filter has been added. These noise immunity improvements in the analog input stage along with the digital filtering will allow longer trace tracks or cabling to the thermal diode than previous thermal diode sensor devices.

The 2-wire serial interface, of the LM95231, is compatible with SMBus 2.0 and I2C. Please see the SMBus 2.0 specification for a detailed description of the differences between the I2C bus and SMBus.

The temperature conversion rate is programmable to allow the user to optimize the current consumption of the LM95231 to the system requirements. The LM95231 can be placed in shutdown to minimize power consumption when temperature data is not required. While in shutdown, a 1-shot conversion mode allows system control of the conversion rate for ultimate flexibility.

The remote diode temperature resolution is variable and depends on whether the digital filter is activated. When the digital filter is active the resolution is thirteen bits and is programmable to 13-bits unsigned or 12-bits plus sign, with a least-significant-bit (LSb) weight for both resolutions of 0.03125°C. When the digital filter is inactive the resolution is eleven bits and is programmable to 11-bits unsigned or 10-bits plus sign, with a least-significant-bit (LSb) weight for both resolutions of 0.125°C. The unsigned resolution allows the remote diodes to sense temperatures above 127°C. Local temperature resolution is not programmable and is always 9-bits plus sign and has a 0.25°C LSb.

The LM95231 remote diode temperature accuracy will be trimmed for the thermal diode of a Pentium 4 processor on 90nm process or a 2N3904 transistor and the accuracy will be ensured only when using either of these diodes when selected appropriately. TruTherm mode should be enabled when measuring a Pentium 4 processor on 90nm process and disabled when measuring a 2N3904 transistor. Enabling TruTherm mode with a 2N3904 transistor connected may produce unexpected temperature readings.

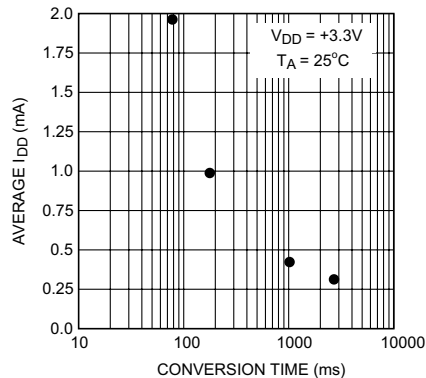
Diode fault detection circuitry in the LM95231 can detect the presence of a remote diode: whether D+ is shorted to  $V_{DD}$ , D- or ground, or whether D+ is floating.

The LM95231 register set has an 8-bit data structure and includes:

1. Most-Significant-Byte (MSB) Local Temperature Register
2. Least-Significant-Byte (LSB) Local Temperature Register
3. MSB Remote Temperature 1 Register
4. LSB Remote Temperature 1 Register
5. MSB Remote Temperature 2 Register
6. LSB Remote Temperature 2 Register
7. Status Register: busy, diode fault
8. Configuration Register: resolution control, conversion rate control, standby control
9. Remote Diode Filter Setting
10. Remote Diode Model Select
11. Remote Diode TruTherm Mode Control
12. 1-shot Register
13. Manufacturer ID
14. Revision ID

## CONVERSION SEQUENCE

In the power up default state the LM95231 takes maximum a 77.5 ms to convert the Local Temperature, Remote Temperature 1 and 2, and to update all of its registers. Only during the conversion process is the busy bit (D7) in the Status register (02h) high. These conversions are addressed in a round robin sequence. The conversion rate may be modified by the Conversion Rate bits found in the Configuration Register (03h). When the conversion rate is modified a delay is inserted between conversions, the actual maximum conversion time remains at 87.7 ms. Different conversion rates will cause the LM95231 to draw different amounts of supply current as shown in Figure 6.



**Figure 6. Conversion Rate Effect on Power Supply Current**

## POWER-ON-DEFAULT STATES

LM95231 always powers up to these known default states. The LM95231 remains in these states until after the first conversion.

1. Command Register set to 00h
2. Local Temperature set to 0°C until the end of the first conversion
3. Remote Diode Temperature set to 0°C until the end of the first conversion
4. Remote Diode digital filters are on.
5. Remote Diode 1 model is set to Pentium 4 processor on 90nm process with TruTherm mode enabled. Remote Diode 2 model is set to 2N3904 with TruTherm mode disabled.
6. Status Register depends on state of thermal diode inputs
7. Configuration register set to 00h; continuous conversion, typical time = 85.8 ms when TruTherm Mode is enabled for Remote 1 only

## SMBus INTERFACE

The LM95231 operates as a slave on the SMBus, so the SMBCLK line is an input and the SMBDAT line is bidirectional. The LM95231 never drives the SMBCLK line and it does not support clock stretching. According to SMBus specifications, the LM95231 has a 7-bit slave address. All bits A6 through A0 are internally programmed and can not be changed by software or hardware. The SMBus slave address is dependent on the LM95231 part number ordered:

Part Number	A6	A5	A4	A3	A2	A1	A0
LM95231BIMM, LM95231CIMM	1	0	1	0	1	1	1
LM95231BIMM-1, LM95231CIMM-1	0	0	1	1	0	0	1
LM95231BIMM-2, LM95231CIMM-2	0	1	0	1	0	1	0

## TEMPERATURE DATA FORMAT

Temperature data can only be read from the Local and Remote Temperature registers .

Remote temperature data with the digital filter off is represented by an 11-bit, two's complement word or unsigned binary word with an LSb (Least Significant Bit) equal to 0.125°C. The data format is a left justified 16-bit word available in two 8-bit registers. Unused bits will always report "0".

**Table 2. 11-bit, 2's complement (10-bit plus sign)**

Temperature	Digital Output	
	Binary	Hex
+125°C	0111 1101 0000 0000	7D00h
+25°C	0001 1001 0000 0000	1900h
+1°C	0000 0001 0000 0000	0100h
+0.125°C	0000 0000 0010 0000	0020h
0°C	0000 0000 0000 0000	0000h
-0.125°C	1111 1111 1110 0000	FFE0h
-1°C	1111 1111 0000 0000	FF00h
-25°C	1110 0111 0000 0000	E700h
-55°C	1100 1001 0000 0000	C900h

**Table 3. 11-bit, unsigned binary**

Temperature	Digital Output	
	Binary	Hex
+255.875°C	1111 1111 1110 0000	FFE0h
+255°C	1111 1111 0000 0000	FF00h
+201°C	1100 1001 0000 0000	C900h
+125°C	0111 1101 0000 0000	7D00h
+25°C	0001 1001 0000 0000	1900h
+1°C	0000 0001 0000 0000	0100h
+0.125°C	0000 0000 0010 0000	0020h
0°C	0000 0000 0000 0000	0000h

Remote temperature data with the digital filter on is represented by a 13-bit, two's complement word or unsigned binary word with an LSb (Least Significant Bit) equal to 0.03125°C (1/32°C). The data format is a left justified 16-bit word available in two 8-bit registers. Unused bits will always report "0".

**Table 4. 13-bit, 2's complement (12-bit plus sign)**

Temperature	Digital Output	
	Binary	Hex
+125°C	0111 1101 0000 0000	7D00h
+25°C	0001 1001 0000 0000	1900h
+1°C	0000 0001 0000 0000	0100h
+0.03125°C	0000 0000 0000 1000	0008h
0°C	0000 0000 0000 0000	0000h
-0.03125°C	1111 1111 1111 1000	FFF8h
-1°C	1111 1111 0000 0000	FF00h
-25°C	1110 0111 0000 0000	E700h
-55°C	1100 1001 0000 0000	C900h

**Table 5. 13-bit, unsigned binary**

Temperature	Digital Output	
	Binary	Hex
+255.875°C	1111 1111 1110 0000	FFE0h
+255°C	1111 1111 0000 0000	FF00h
+201°C	1100 1001 0000 0000	C900h
+125°C	0111 1101 0000 0000	7D00h
+25°C	0001 1001 0000 0000	1900h
+1°C	0000 0001 0000 0000	0100h
+0.03125°C	0000 0000 0000 1000	0008h
0°C	0000 0000 0000 0000	0000h

Local Temperature data is represented by a 10-bit, two's complement word with an LSb (Least Significant Bit) equal to 0.25°C. The data format is a left justified 16-bit word available in two 8-bit registers. Unused bits will always report "0". Local temperature readings greater than +127.875°C are clamped to +127.875°C, they will not roll-over to negative temperature readings.

Temperature	Digital Output	
	Binary	Hex
+125°C	0111 1101 0000 0000	7D00h
+25°C	0001 1001 0000 0000	1900h
+1°C	0000 0001 0000 0000	0100h
+0.25°C	0000 0000 0100 0000	0040h
0°C	0000 0000 0000 0000	0000h
-0.25°C	1111 1111 1100 0000	FFC0h
-1°C	1111 1111 0000 0000	FF00h
-25°C	1110 0111 0000 0000	E700h
-55°C	1100 1001 0000 0000	C900h

## SMBDAT OPEN-DRAIN OUTPUT

The SMBDAT output is an open-drain output and does not have internal pull-ups. A “high” level will not be observed on this pin until pull-up current is provided by some external source, typically a pull-up resistor. Choice of resistor value depends on many system factors but, in general, the pull-up resistor should be as large as possible without effecting the SMBus desired data rate. This will minimize any internal temperature reading errors due to internal heating of the LM95231. The maximum resistance of the pull-up to provide a 2.1V high level, based on LM95231 specification for High Level Output Current with the supply voltage at 3.0V, is 82kΩ (5%) or 88.7kΩ (1%).

## 1.6 DIODE FAULT DETECTION

The LM95231 is equipped with operational circuitry designed to detect fault conditions concerning the remote diodes. In the event that the D+ pin is detected as shorted to GND, D–, V<sub>DD</sub> or D+ is floating, the Remote Temperature reading is –128.000 °C if signed format is selected and +255.875 if unsigned format is selected. In addition, the appropriate status register bits RD1M or RD2M (D1 or D0) are set. When TruTherm mode is active the condition of diode short of D+ to D– will not be detected. Connecting a 2N3904 transistor with TruTherm mode active may cause a detection of a diode fault.

## 1.7 COMMUNICATING with the LM95231

The data registers in the LM95231 are selected by the Command Register. At power-up the Command Register is set to “00”, the location for the Read Local Temperature Register. The Command Register latches the last location it was set to. Each data register in the LM95231 falls into one of four types of user accessibility:

1. Read only
2. Write only
3. Write/Read same address
4. Write/Read different address

A **Write** to the LM95231 will always include the address byte and the command byte. A write to any register requires one data byte.

**Reading** the LM95231 can take place either of two ways:

1. If the location latched in the Command Register is correct (most of the time it is expected that the Command Register will point to one of the Read Temperature Registers because that will be the data most frequently read from the LM95231), then the read can simply consist of an address byte, followed by retrieving the data byte.
2. If the Command Register needs to be set, then an address byte, command byte, repeat start, and another address byte will accomplish a read.

The data byte has the most significant bit first. At the end of a read, the LM95231 can accept either acknowledge or No Acknowledge from the Master (No Acknowledge is typically used as a signal for the slave that the Master has read its last byte). When retrieving all 11 bits from a previous remote diode temperature measurement, the master must insure that all 11 bits are from the same temperature conversion. This may be achieved by reading the MSB register first. The LSB will be locked after the MSB is read. The LSB will be unlocked after being read. If the user reads MSBs consecutively, each time the MSB is read, the LSB associated with that temperature will be locked in and override the previous LSB value locked-in.

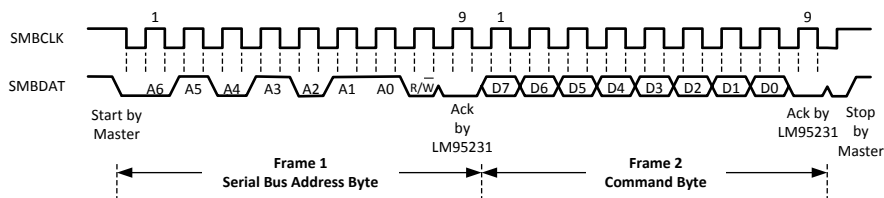


Figure 7. Serial Bus Write to the Internal Command Register

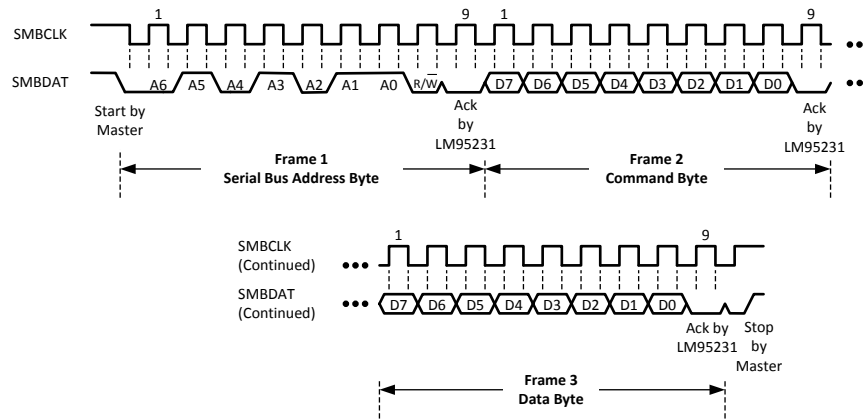


Figure 8. Serial Bus Write to the internal Command Register followed by a Data Byte

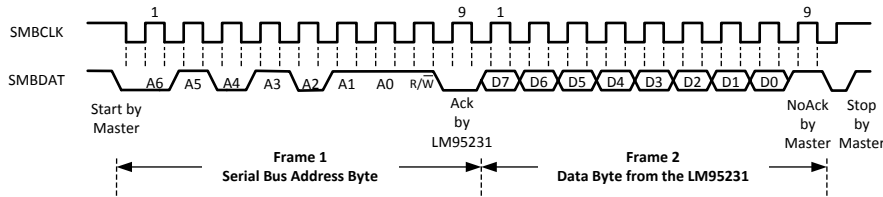
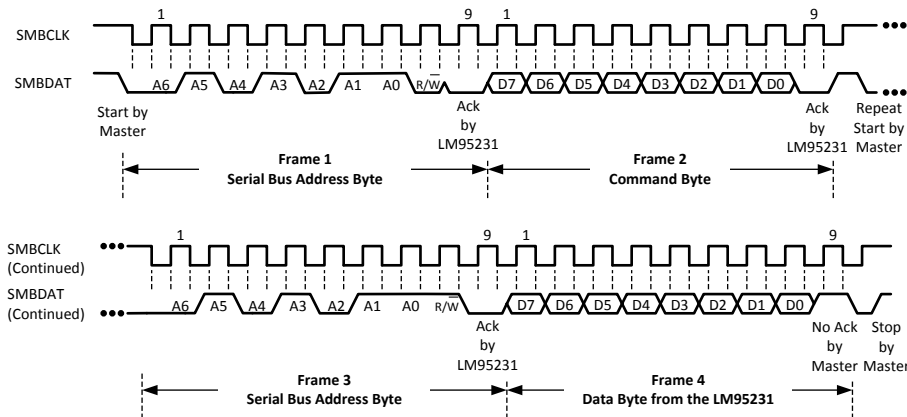


Figure 9. Serial Bus byte Read from a Register with the internal Command Register preset to desired value.



(d) Serial Bus Write followed by a Repeat Start and Immediate Read

Figure 10. SMBus Timing Diagrams for Access of Data

### SERIAL INTERFACE RESET

In the event that the SMBus Master is RESET while the LM95231 is transmitting on the SMBDAT line, the LM95231 must be returned to a known state in the communication protocol. This may be done in one of two ways:

1. When SMBDAT is LOW, the LM95231 SMBus state machine resets to the SMBus idle state if either SMBDAT or SMBCLK are held low for more than 35ms ( $t_{TIMEOUT}$ ). Note that according to SMBus specification 2.0 all devices are to timeout when either the SMBCLK or SMBDAT lines are held low for 25-35ms. Therefore, to insure a timeout of all devices on the bus the SMBCLK or SMBDAT lines must be held low for at least 35ms.

- When SMBDAT is HIGH, have the master initiate an SMBus start. The LM95231 will respond properly to an SMBus start condition at any point during the communication. After the start the LM95231 will expect an SMBus Address address byte.

## ONE-SHOT CONVERSION

The One-Shot register is used to initiate a single conversion and comparison cycle when the device is in standby mode, after which the device returns to standby. This is not a data register and it is the write operation that causes the one-shot conversion. The data written to this address is irrelevant and is not stored. A zero will always be read from this register.

## LM95231 Registers

Command register selects which registers will be read from or written to. Data for this register should be transmitted during the Command Byte of the SMBus write communication.

P7	P6	P5	P4	P3	P2	P1	P0
Command							

P0-P7: Command

**Table 6. Register Summary**

Name	Command (Hex)	Power-On Default Value (Hex)	Read/Write	# of used bits	Comments
Status Register	02h	-	RO	5	4 status bits and 1 busy bit
Configuration Register	03h	00h	R/W	5	Includes conversion rate control
Remote Diode Filter Control	06h	05h	R/W	2	Controls thermal diode filter setting
Remote Diode Model Type Select	30h	01h	R/W	2	Selects the 2N3904 or Pentium 4 processor on 90nm process thermal diode model
Remote Diode TruTherm Mode Control	07h	01h		8	Enables or disables TruTherm technology for Remote Diode measurements
1-shot	0Fh	-	WO	-	Activates one conversion for all 3 channels if the chip is in standby mode (i.e. RUN/STOP bit = 1). Data transmitted by the host is ignored by the LM95231.
Local Temperature MSB	10h	-	RO	8	
Remote Temperature 1 MSB	11h	-	RO	8	
Remote Temperature 2 MSB	12h	-	RO	8	
Local Temperature LSB	20h	-	RO	2	All unused bits will report zero
Remote Temperature 1 LSB	21h	-	RO	3/5	All unused bits will report zero
Remote Temperature 2 LSB	22h	-	RO	3/5	All unused bits will report zero
Manufacturer ID	FEh	01h	RO		
Revision ID	FFh	A1h	RO		

## STATUS REGISTER

D7	D6	D5	D4	D3	D2	D1	D0
Busy	Reserved			R2TME	R1TME	RD2M	RD1M
	0	0	0				

Bits	Name	Description
7	Busy	When set to "1" the part is converting.
6-4	Reserved	Reports "0" when read.
3	Remote 2 TruTherm Mode Enabled (R2TME)	When set to "1" indicates that the TruTherm Mode has been activated for Remote diode 2. After being enabled TruTherm Mode will take at most one conversion cycle to be fully active.
2	Remote 1 TruTherm Mode Enabled (R1TME)	When set to "1" indicates that the TruTherm Mode has been activated for Remote diode 1. After being enabled TruTherm Mode will take at most one conversion cycle to be fully active.
1	Remote Diode 2 Missing (RD2M)	When set to "1" Remote Diode 2 is missing. (i.e. D2+ shorted to V <sub>DD</sub> , Ground or D2-, or D2+ is floating). Temperature Reading is FFE0h which converts to 255.875 °C if unsigned format is selected or 8000h which converts to -128.000 °C if signed format is selected. Note, connecting a 2N3904 transistor to Remote 2 inputs with TruTherm mode active may also cause this bit to be set.
0	Remote Diode 1 Missing (RD1M)	When set to "1" Remote Diode 1 is missing. (i.e. D1+ shorted to V <sub>DD</sub> , Ground or D1-, or D1+ is floating). Temperature Reading is FFE0h which converts to 255.875 °C if unsigned format is selected or 8000h which converts to -128.000 °C if signed format is selected. Note, connecting a 2N3904 transistor to Remote 1 inputs with TruTherm mode active may also cause this bit to be set.

### CONFIGURATION REGISTER

D7	D6	D5	D4	D3	D2	D1	D0
0	RUN/STOP	CR1	CR0	0	R2DF	R1DF	0

Bits	Name	Description
7	Reserved	Reports "0" when read.
6	RUN/STOP	Logic 1 disables the conversion and puts the part in standby mode. Conversion can be activated by writing to one-shot register.
5-4	Conversion Rate (CR1:CR0)	00: continuous mode 75.8 ms, 13.2 Hz (typ), when diode mode is selected for both remote channels; 77.5 ms, 12.9 Hz (typ), when TruTherm Mode is enabled for one remote channel. 01: converts every 182 ms, 5.5 Hz (typ) 10: converts every 1 second, 1 Hz (typ) 11: converts every 2.7 seconds, 0.37 Hz (typ) Note: typically a remote diode conversion takes 30 ms with diode mode is selected; when the TruTherm Mode is selected a conversion takes an additional 1.7 ms; a local conversion takes 15.8 ms.
3	Reserved	Reports "0" when read.
2	Remote 2 Data Format (R2DF)	Logic 0: unsigned Temperature format (0 °C to +255.875 °C) Logic 1: signed Temperature format (-128 °C to +127.875 °C)
1	Remote 1 Data Format (R1DF)	Logic 0: unsigned Temperature format (0 °C to +255.875 °C) Logic 1: signed Temperature format (-128 °C to +127.875 °C)
0	Reserved	Reports "0" when read.

Power up default is with all bits "0" (zero)

**REMOTE DIODE FILTER CONTROL REGISTER**

D7	D6	D5	D4	D3	D2	D1	D0
0	0	0	0	0	R2FE	0	R1FE

Bits	Name	Description
7-3	Reserved	Reports "0" when read.
2	Remote 2 Filter Enable (R2FE)	0: Filter Off 1: Noise Filter On
1	Reserved	Reports "0" when read.
0	Remote 1 Filter Enable (R1FE)	0: Filter Off 1: Noise Filter On

Power up default is 05h.

**REMOTE DIODE MODEL TYPE SELECT REGISTER**

D7	D6	D5	D4	D3	D2	D1	D0
0	0	0	0	0	R2MS	0	R1MS

Bits	Name	Description
7-3	Reserved	Reports "0" when read.
2	Remote Diode 2 Model Select (R2MS)	0: 2N3904 model (make sure TruTherm mode is disabled) 1: Pentium 4 processor on 90nm process model (make sure TruTherm mode is enabled) Power up default is 0.
1	Reserved	Reports "0" when read.
0	Remote Diode 1 Model Select (R1MS)	0: 2N3904 model (make sure TruTherm mode is disabled) 1: Pentium 4 processor on 90nm process model (make sure TruTherm mode is enabled) Power up default is 1.

Power up default is 01h.

**REMOTE TruTherm MODE CONTROL**

D7	D6	D5	D4	D3	D2	D1	D0
Reserved	R2M2	R2M1	R2M0	Reserved	R1M2	R1M1	R1M0

Bits	Description	
7	Reserved	Must be left at 0.
6-4	R2M2:R2M0	000: Remote 2 TruTherm Mode disabled; used when measuring MMBT3904 transistors 001: Remote 2 TruTherm Mode enabled; used when measuring Processors 111: Remote 2 TruTherm Mode enabled; used when measuring Processors Note, all other codes provide unspecified results and should not be used.
3	Reserved	Must be left at 0.
2-0	R1M2:R1M0	000: Remote 1 TruTherm Mode disabled; used when measuring MMBT3904 transistors 001: Remote 1 TruTherm Mode enabled; used when measuring Processors 111: Remote 1 TruTherm Mode enabled; used when measuring Processors Note, all other codes provide unspecified results and should not be used.

Power up default is 01h.

## LOCAL and REMOTE MSB and LSB TEMPERATURE REGISTERS

### Local Temperature MSB

(Read Only Address 10h) 9-bit plus sign format:

BIT	D7	D6	D5	D4	D3	D2	D1	D0
Value	SIGN	64	32	16	8	4	2	1

Temperature Data: LSb = 1°C.

### Local Temperature LSB

(Read Only Address 20h) 9-bit plus sign format:

BIT	D7	D6	D5	D4	D3	D2	D1	D0
Value	0.5	0.25	0	0	0	0	0	0

Temperature Data: LSb = 0.25°C.

### Remote Temperature MSB

(Read Only Address 11h, 12h) 10 bit plus sign format:

BIT	D7	D6	D5	D4	D3	D2	D1	D0
Value	SIGN	64	32	16	8	4	2	1

Temperature Data: LSb = 1°C.

(Read Only Address 11h, 12h) 11-bit unsigned format:

BIT	D7	D6	D5	D4	D3	D2	D1	D0
Value	128	64	32	16	8	4	2	1

Temperature Data: LSb = 1°C.

### Remote Temperature LSB

12-bit plus sign or 13-bit unsigned binary formats with filter on:

BIT	D7	D6	D5	D4	D3	D2	D1	D0
Value	0.5	0.25	0.125	0	0	0	0	0

Temperature Data: LSb = 0.125°C or 1/8°C.

12-bit plus sign or 13-bit unsigned binary formats with filter on:

BIT	D7	D6	D5	D4	D3	D2	D1	D0
Value	0.5	0.25	0.125	0.0625	0.03125	0	0	0

Temperature Data: LSb = 0.03125°C or 1/32°C.

For data synchronization purposes, the MSB register should be read first if the user wants to read both MSB and LSB registers. The LSB will be locked after the MSB is read. The LSB will be unlocked after being read. If the user reads MSBs consecutively, each time the MSB is read, the LSB associated with that temperature will be locked in and override the previous LSB value locked-in.

## MANUFACTURERS ID REGISTER

(Read Address FEh) The default value is 01h.

## DIE REVISION CODE REGISTER

(Read Address FFh) The default value is A1h. This register will increment by 1 every time there is a revision to the die by Texas Instruments.

## Applications Hints

The LM95231 can be applied easily in the same way as other integrated-circuit temperature sensors, and its remote diode sensing capability allows it to be used in new ways as well. It can be soldered to a printed circuit board, and because the path of best thermal conductivity is between the die and the pins, its temperature will effectively be that of the printed circuit board lands and traces soldered to the LM95231's pins. This presumes that the ambient air temperature is almost the same as the surface temperature of the printed circuit board; if the air temperature is much higher or lower than the surface temperature, the actual temperature of the LM95231 die will be at an intermediate temperature between the surface and air temperatures. Again, the primary thermal conduction path is through the leads, so the circuit board temperature will contribute to the die temperature much more strongly than will the air temperature.

To measure temperature external to the LM95231's die, use a remote diode. This diode can be located on the die of a target IC, allowing measurement of the IC's temperature, independent of the LM95231's temperature. A discrete diode can also be used to sense the temperature of external objects or ambient air. Remember that a discrete diode's temperature will be affected, and often dominated, by the temperature of its leads. Most silicon diodes do not lend themselves well to this application. It is recommended that an MMBT3904 transistor base emitter junction be used with the collector tied to the base.

The LM95231's TruTherm technology allows accurate sensing of integrated thermal diodes, such as those found on processors. With TruTherm technology turned off, the LM95231 can measure a diode connected transistor such as the MMBT3904.

The LM95231 has been optimized to measure the remote thermal diode integrated in a Pentium 4 processor on 90nm process or an MMBT3904 transistor. Using the Remote Diode Model Select register either pair of remote inputs can be assigned to be either a Pentium 4 processor on 90nm process or an MMBT3904.

## DIODE NON-IDEALITY

### *Diode Non-Ideality Factor Effect on Accuracy*

When a transistor is connected as a diode, the following relationship holds for variables  $V_{BE}$ ,  $T$  and  $I_F$ :

$$I_F = I_S \times \left[ e^{\left( \frac{V_{BE}}{\eta \times V_t} \right)} - 1 \right]$$

where

- $V_t = \frac{kT}{q}$
  - $q = 1.6 \times 10^{-19}$  Coulombs (the electron charge),
  - $T$  = Absolute Temperature in Kelvin
  - $k = 1.38 \times 10^{-23}$  joules/K (Boltzmann's constant),
  - $\eta$  is the non-ideality factor of the process the diode is manufactured on,
  - $I_S$  = Saturation Current and is process dependent,
  - $I_F$  = Forward Current through the base emitter junction
  - $V_{BE}$  = Base Emitter Voltage drop
- (1)

In the active region, the -1 term is negligible and may be eliminated, yielding the following equation

$$I_F = I_S \left[ e^{\eta V_t} \right]$$
(2)

In [Equation 2](#),  $\eta$  and  $I_S$  are dependant upon the process that was used in the fabrication of the particular diode. By forcing two currents with a very controlled ratio ( $I_{F2}/I_{F1}$ ) and measuring the resulting voltage difference, it is possible to eliminate the  $I_S$  term. Solving for the forward voltage difference yields the relationship:

$$\Delta V_{BE} = \eta \times \frac{k \times T}{q} \times \ln \left( \frac{I_{F2}}{I_{F1}} \right) \quad (3)$$

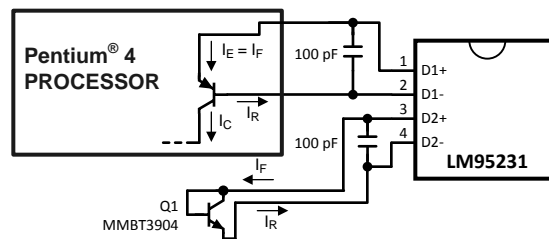
Solving Equation 3 for temperature yields:

$$T = \frac{\Delta V_{BE} \times q}{\eta \times k \times \ln \left( \frac{I_{F2}}{I_{F1}} \right)} \quad (4)$$

Equation 4 holds true when a diode connected transistor such as the MMBT3904 is used. When this “diode” equation is applied to an integrated diode such as a processor transistor with its collector tied to GND as shown in Figure 11 it will yield a wide non-ideality spread. This wide non-ideality spread is not due to true process variation but due to the fact that Equation 4 is an approximation.

TruTherm technology uses the transistor equation, Equation 5, which is a more accurate representation of the topology of the thermal diode found in an FPGA or processor.

$$T = \frac{\Delta V_{BE} \times q}{\eta \times k \times \ln \left( \frac{I_{C2}}{I_{C1}} \right)} \quad (5)$$



**Figure 11. Thermal Diode Current Paths**

TruTherm should only be enabled when measuring the temperature of a transistor integrated as shown in the processor of Figure 11, because Equation 5 only applies to this topology.

### Calculating Total System Accuracy

The voltage seen by the LM95231 also includes the  $I_F R_S$  voltage drop of the series resistance. The non-ideality factor,  $\eta$ , is the only other parameter not accounted for and depends on the diode that is used for measurement. Since  $\Delta V_{BE}$  is proportional to both  $\eta$  and  $T$ , the variations in  $\eta$  cannot be distinguished from variations in temperature. Since the non-ideality factor is not controlled by the temperature sensor, it will directly add to the inaccuracy of the sensor. For the Pentium 4 processor on 90nm process, Intel specifies a +1.19%/–0.27% variation in  $\eta$  from part to part when the processor diode is measured by a circuit that assumes diode equation, Equation 4, as true. As an example, assume a temperature sensor has an accuracy specification of  $\pm 0.75^\circ\text{C}$  at a temperature of  $65^\circ\text{C}$  (338 Kelvin) and the processor diode has a non-ideality variation of +1.19%/–0.27%. The resulting system accuracy of the processor temperature being sensed will be:

$$T_{ACC} = \pm 0.75^\circ\text{C} + (+1.19\% \text{ of } 338 \text{ K}) = +4.76^\circ\text{C} \quad (6)$$

and

$$T_{ACC} = \pm 0.75^\circ\text{C} + (-0.27\% \text{ of } 338 \text{ K}) = -1.65^\circ\text{C} \quad (7)$$

TrueTherm technology uses the transistor equation, Equation 5, resulting in a non-ideality spread that truly reflects the process variation which is very small. The transistor equation non-ideality spread is  $\pm 0.1\%$  for the Pentium 4 processor on 90nm process. The resulting accuracy when using TruTherm technology improves to:

$$T_{ACC} = \pm 0.75^\circ\text{C} + (\pm 0.1\% \text{ of } 338 \text{ K}) = \pm 1.08^\circ\text{C} \quad (8)$$

The next error term to be discussed is that due to the series resistance of the thermal diode and printed circuit board traces. The thermal diode series resistance is specified on most processor data sheets. For the Pentium 4 processor on 90 nm process, this is specified at  $3.33\Omega$  typical. The LM95231 accommodates the typical series resistance of the Pentium 4 processor on 90 nm process. The error that is not accounted for is the spread of the Pentium's series resistance, that is  $3.242\Omega$  to  $3.594\Omega$  or  $+0.264\Omega$  to  $-0.088\Omega$ . The equation to calculate the temperature error due to series resistance ( $T_{ER}$ ) for the LM95231 is simply:

$$T_{ER} = R_{PCB} \times 0.62^{\circ}\text{C}/\Omega \quad (9)$$

Solving Equation 9 for  $R_{PCB}$  equal to  $+0.264\Omega$  and  $-0.088\Omega$  results in the additional error due to the spread in the series resistance of  $+0.16^{\circ}\text{C}$  to  $-0.05^{\circ}\text{C}$ . The spread in error cannot be canceled out, as it would require measuring each individual thermal diode device. This is quite difficult and impractical in a large volume production environment.

Equation 9 can also be used to calculate the additional error caused by series resistance on the printed circuit board. Since the variation of the PCB series resistance is minimal, the bulk of the error term is always positive and can simply be cancelled out by subtracting it from the output readings of the LM95231.

Processor Family	Diode Equation $\eta_D$ , non-ideality			Series R
	min	typ	max	
Pentium III CPUID 67h	1	1.0065	1.0125	
Pentium III CPUID 68h/PGA370Socket/ Celeron	1.0057	1.008	1.0125	
Pentium 4, 423 pin	0.9933	1.0045	1.0368	
Pentium 4, 478 pin	0.9933	1.0045	1.0368	
Pentium 4 on 0.13 micron process, 2-3.06GHz	1.0011	1.0021	1.0030	3.64 $\Omega$
Pentium 4 on 90 nm process	1.0083	1.011	1.023	3.33 $\Omega$
Pentium M Processor (Centrino)	1.00151	1.00220	1.00289	3.06 $\Omega$
MMBT3904		1.003		
AMD Athlon MP model 6	1.002	1.008	1.016	
AMD Athlon 64	1.008	1.008	1.096	
AMD Opteron	1.008	1.008	1.096	
AMD Sempron		1.00261		0.93 $\Omega$

### Compensating for Different Non-Ideality

In order to compensate for the errors introduced by non-ideality, the temperature sensor is calibrated for a particular processor. Texas Instruments temperature sensors are always calibrated to the typical non-ideality and series resistance of a given processor type. The LM95231 is calibrated for two non-ideality factors and series resistance values thus supporting the MMBT3904 transistor and the Pentium 4 processor on 90nm process without the requirement for additional trims. For most accurate measurements TruTherm mode should be turned on when measuring the Pentium 4 processor on the 90nm process to minimize the error introduced by the false non-ideality spread (see [Diode Non-Ideality Factor Effect on Accuracy](#)). When a temperature sensor calibrated for a particular processor type is used with a different processor type, additional errors are introduced.

Temperature errors associated with non-ideality of different processor types may be reduced in a specific temperature range of concern through use of software calibration. Typical Non-ideality specification differences cause a gain variation of the transfer function, therefore the center of the temperature range of interest should be the target temperature for calibration purposes. The following equation can be used to calculate the temperature correction factor ( $T_{CF}$ ) required to compensate for a target non-ideality differing from that supported by the LM95231.

$$T_{CF} = [(\eta_S - \eta_{Processor}) \div \eta_S] \times (T_{CR} + 273 \text{ K}) \quad (10)$$

where

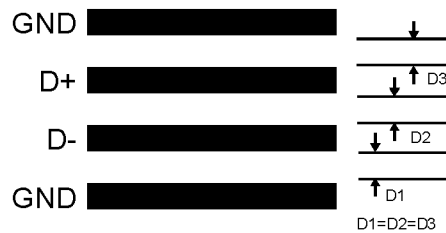
- $\eta_S$  = LM95231 non-ideality for accuracy specification
- $\eta_T$  = target thermal diode typical non-ideality
- $T_{CR}$  = center of the temperature range of interest in  $^{\circ}\text{C}$

The correction factor of Equation 10 should be directly added to the temperature reading produced by the LM95231. For example when using the LM95231, with the 3904 mode selected, to measure a AMD Athlon processor, with a typical non-ideality of 1.008, for a temperature range of  $60^{\circ}\text{C}$  to  $100^{\circ}\text{C}$  the correction factor would calculate to:

$$T_{CF} = [(1.003 - 1.008) \div 1.003] \times (80 + 273) = -1.75^{\circ}\text{C} \quad (11)$$

Therefore,  $1.75^{\circ}\text{C}$  should be subtracted from the temperature readings of the LM95231 to compensate for the differing typical non-ideality target.

## PCB LAYOUT FOR MINIMIZING NOISE



**Figure 12. Ideal Diode Trace Layout**

In a noisy environment, such as a processor mother board, layout considerations are very critical. Noise induced on traces running between the remote temperature diode sensor and the LM95231 can cause temperature conversion errors. Keep in mind that the signal level the LM95231 is trying to measure is in microvolts. The following guidelines should be followed:

1.  $V_{DD}$  should be bypassed with a 0.1 $\mu$ F capacitor in parallel with 100pF. The 100pF capacitor should be placed as close as possible to the power supply pin. A bulk capacitance of approximately 10 $\mu$ F needs to be in the near vicinity of the LM95231.
2. A 100pF diode bypass capacitor is recommended to filter high frequency noise but may not be necessary. Make sure the traces to the 100pF capacitor are matched. Place the filter capacitors close to the LM95231 pins.
3. Ideally, the LM95231 should be placed within 10cm of the Processor diode pins with the traces being as straight, short and identical as possible. Trace resistance of 1 $\Omega$  can cause as much as 0.62 $^{\circ}$ C of error. This error can be compensated by using simple software offset compensation.
4. Diode traces should be surrounded by a GND guard ring to either side, above and below if possible. This GND guard should not be between the D+ and D- lines. In the event that noise does couple to the diode lines it would be ideal if it is coupled common mode. That is equally to the D+ and D- lines.
5. Avoid routing diode traces in close proximity to power supply switching or filtering inductors.
6. Avoid running diode traces close to or parallel to high speed digital and bus lines. Diode traces should be kept at least 2cm apart from the high speed digital traces.
7. If it is necessary to cross high speed digital traces, the diode traces and the high speed digital traces should cross at a 90 degree angle.
8. The ideal place to connect the LM95231's GND pin is as close as possible to the Processors GND associated with the sense diode.
9. Leakage current between D+ and GND and between D+ and D- should be kept to a minimum. Thirteen nano-amperes of leakage can cause as much as 0.2 $^{\circ}$ C of error in the diode temperature reading. Keeping the printed circuit board as clean as possible will minimize leakage current.

Noise coupling into the digital lines greater than 400mVp-p (typical hysteresis) and undershoot less than 500mV below GND, may prevent successful SMBus communication with the LM95231. SMBus no acknowledge is the most common symptom, causing unnecessary traffic on the bus. Although the SMBus maximum frequency of communication is rather low (100kHz max), care still needs to be taken to ensure proper termination within a system with multiple parts on the bus and long printed circuit board traces. An RC lowpass filter with a 3db corner frequency of about 40MHz is included on the LM95231's SMBCLK input. Additional resistance can be added in series with the SMBDAT and SMBCLK lines to further help filter noise and ringing. Minimize noise coupling by keeping digital traces out of switching power supply areas as well as ensuring that digital lines containing high speed data communications cross at right angles to the SMBDAT and SMBCLK lines.

---

**REVISION HISTORY**

<b>Changes from Revision D (March 2013) to Revision E</b>	<b>Page</b>
• Changed layout of National Data Sheet to TI format .....	<a href="#">22</a>

---

**PACKAGING INFORMATION**

Orderable Device	Status (1)	Package Type	Package Drawing	Pins	Package Qty	Eco Plan (2)	Lead/Ball Finish	MSL Peak Temp (3)	Op Temp (°C)	Device Marking (4/5)	Samples
LM95231BIMM	ACTIVE	VSSOP	DGK	8		TBD	Call TI	Call TI	0 to 85	T23B	<a href="#">Samples</a>
LM95231BIMM-1	ACTIVE	VSSOP	DGK	8		TBD	Call TI	Call TI	0 to 85	T25B	<a href="#">Samples</a>
LM95231BIMM-1/NOPB	ACTIVE	VSSOP	DGK	8	1000	Green (RoHS & no Sb/Br)	CU SN	Level-1-260C-UNLIM	0 to 85	T25B	<a href="#">Samples</a>
LM95231BIMM-2	ACTIVE	VSSOP	DGK	8		TBD	Call TI	Call TI	0 to 85	T26B	<a href="#">Samples</a>
LM95231BIMM-2/NOPB	ACTIVE	VSSOP	DGK	8	1000	Green (RoHS & no Sb/Br)	CU SN	Level-1-260C-UNLIM	0 to 85	T26B	<a href="#">Samples</a>
LM95231BIMM/NOPB	ACTIVE	VSSOP	DGK	8	1000	Green (RoHS & no Sb/Br)	CU SN	Level-1-260C-UNLIM	0 to 85	T23B	<a href="#">Samples</a>
LM95231BIMMX	ACTIVE	VSSOP	DGK	8		TBD	Call TI	Call TI	0 to 85	T23B	<a href="#">Samples</a>
LM95231BIMMX-1	ACTIVE	VSSOP	DGK	8		TBD	Call TI	Call TI	0 to 85	T25B	<a href="#">Samples</a>
LM95231BIMMX-1/NOPB	ACTIVE	VSSOP	DGK	8	3500	Green (RoHS & no Sb/Br)	CU SN	Level-1-260C-UNLIM	0 to 85	T25B	<a href="#">Samples</a>
LM95231BIMMX-2	ACTIVE	VSSOP	DGK	8		TBD	Call TI	Call TI	0 to 85	T26B	<a href="#">Samples</a>
LM95231BIMMX-2/NOPB	ACTIVE	VSSOP	DGK	8	3500	Green (RoHS & no Sb/Br)	CU SN	Level-1-260C-UNLIM	0 to 85	T26B	<a href="#">Samples</a>
LM95231BIMMX/NOPB	ACTIVE	VSSOP	DGK	8	3500	Green (RoHS & no Sb/Br)	CU SN	Level-1-260C-UNLIM	0 to 85	T23B	<a href="#">Samples</a>
LM95231CIMM	ACTIVE	VSSOP	DGK	8		TBD	Call TI	Call TI	0 to 85	T23C	<a href="#">Samples</a>
LM95231CIMM-1	ACTIVE	VSSOP	DGK	8	1000	TBD	Call TI	Call TI	0 to 85	T25C	<a href="#">Samples</a>
LM95231CIMM-1/NOPB	ACTIVE	VSSOP	DGK	8	1000	Green (RoHS & no Sb/Br)	CU SN	Level-1-260C-UNLIM	0 to 85	T25C	<a href="#">Samples</a>
LM95231CIMM-2	ACTIVE	VSSOP	DGK	8		TBD	Call TI	Call TI	0 to 85	T26C	<a href="#">Samples</a>
LM95231CIMM-2/NOPB	ACTIVE	VSSOP	DGK	8	1000	Green (RoHS & no Sb/Br)	CU SN	Level-1-260C-UNLIM	0 to 85	T26C	<a href="#">Samples</a>
LM95231CIMM/NOPB	ACTIVE	VSSOP	DGK	8	1000	Green (RoHS & no Sb/Br)	CU SN	Level-1-260C-UNLIM	0 to 85	T23C	<a href="#">Samples</a>
LM95231CIMMX	ACTIVE	VSSOP	DGK	8		TBD	Call TI	Call TI	0 to 85	T23C	<a href="#">Samples</a>

Orderable Device	Status (1)	Package Type	Package Drawing	Pins	Package Qty	Eco Plan (2)	Lead/Ball Finish	MSL Peak Temp (3)	Op Temp (°C)	Device Marking (4/5)	Samples
LM95231CIMMX-1	ACTIVE	VSSOP	DGK	8		TBD	Call TI	Call TI	0 to 85	T25C	<a href="#">Samples</a>
LM95231CIMMX-1/NOPB	ACTIVE	VSSOP	DGK	8	3500	Green (RoHS & no Sb/Br)	CU SN	Level-1-260C-UNLIM	0 to 85	T25C	<a href="#">Samples</a>
LM95231CIMMX-2	ACTIVE	VSSOP	DGK	8		TBD	Call TI	Call TI	0 to 85	T26C	<a href="#">Samples</a>
LM95231CIMMX-2/NOPB	ACTIVE	VSSOP	DGK	8	3500	Green (RoHS & no Sb/Br)	CU SN	Level-1-260C-UNLIM	0 to 85	T26C	<a href="#">Samples</a>
LM95231CIMMX/NOPB	ACTIVE	VSSOP	DGK	8	3500	Green (RoHS & no Sb/Br)	CU SN	Level-1-260C-UNLIM	0 to 85	T23C	<a href="#">Samples</a>

(1) The marketing status values are defined as follows:

**ACTIVE:** Product device recommended for new designs.

**LIFEBUY:** TI has announced that the device will be discontinued, and a lifetime-buy period is in effect.

**NRND:** Not recommended for new designs. Device is in production to support existing customers, but TI does not recommend using this part in a new design.

**PREVIEW:** Device has been announced but is not in production. Samples may or may not be available.

**OBSELETE:** TI has discontinued the production of the device.

(2) Eco Plan - The planned eco-friendly classification: Pb-Free (RoHS), Pb-Free (RoHS Exempt), or Green (RoHS & no Sb/Br) - please check <http://www.ti.com/productcontent> for the latest availability information and additional product content details.

**TBD:** The Pb-Free/Green conversion plan has not been defined.

**Pb-Free (RoHS):** TI's terms "Lead-Free" or "Pb-Free" mean semiconductor products that are compatible with the current RoHS requirements for all 6 substances, including the requirement that lead not exceed 0.1% by weight in homogeneous materials. Where designed to be soldered at high temperatures, TI Pb-Free products are suitable for use in specified lead-free processes.

**Pb-Free (RoHS Exempt):** This component has a RoHS exemption for either 1) lead-based flip-chip solder bumps used between the die and package, or 2) lead-based die adhesive used between the die and leadframe. The component is otherwise considered Pb-Free (RoHS compatible) as defined above.

**Green (RoHS & no Sb/Br):** TI defines "Green" to mean Pb-Free (RoHS compatible), and free of Bromine (Br) and Antimony (Sb) based flame retardants (Br or Sb do not exceed 0.1% by weight in homogeneous material)

(3) MSL, Peak Temp. -- The Moisture Sensitivity Level rating according to the JEDEC industry standard classifications, and peak solder temperature.

(4) There may be additional marking, which relates to the logo, the lot trace code information, or the environmental category on the device.

(5) Multiple Device Markings will be inside parentheses. Only one Device Marking contained in parentheses and separated by a "~" will appear on a device. If a line is indented then it is a continuation of the previous line and the two combined represent the entire Device Marking for that device.

**Important Information and Disclaimer:** The information provided on this page represents TI's knowledge and belief as of the date that it is provided. TI bases its knowledge and belief on information provided by third parties, and makes no representation or warranty as to the accuracy of such information. Efforts are underway to better integrate information from third parties. TI has taken and continues to take reasonable steps to provide representative and accurate information but may not have conducted destructive testing or chemical analysis on incoming materials and chemicals. TI and TI suppliers consider certain information to be proprietary, and thus CAS numbers and other limited information may not be available for release.

In no event shall TI's liability arising out of such information exceed the total purchase price of the TI part(s) at issue in this document sold by TI to Customer on an annual basis.

**TAPE AND REEL INFORMATION**

**QUADRANT ASSIGNMENTS FOR PIN 1 ORIENTATION IN TAPE**


\*All dimensions are nominal

Device	Package Type	Package Drawing	Pins	SPQ	Reel Diameter (mm)	Reel Width W1 (mm)	A0 (mm)	B0 (mm)	K0 (mm)	P1 (mm)	W (mm)	Pin1 Quadrant
LM95231BIMM-1/NOPB	VSSOP	DGK	8	1000	178.0	12.4	5.3	3.4	1.4	8.0	12.0	Q1
LM95231BIMM-2/NOPB	VSSOP	DGK	8	1000	178.0	12.4	5.3	3.4	1.4	8.0	12.0	Q1
LM95231BIMM/NOPB	VSSOP	DGK	8	1000	178.0	12.4	5.3	3.4	1.4	8.0	12.0	Q1
LM95231BIMMX-1/NOPB	VSSOP	DGK	8	3500	330.0	12.4	5.3	3.4	1.4	8.0	12.0	Q1
LM95231BIMMX-2/NOPB	VSSOP	DGK	8	3500	330.0	12.4	5.3	3.4	1.4	8.0	12.0	Q1
LM95231BIMMX/NOPB	VSSOP	DGK	8	3500	330.0	12.4	5.3	3.4	1.4	8.0	12.0	Q1
LM95231CIMM-1	VSSOP	DGK	8	1000	178.0	12.4	5.3	3.4	1.4	8.0	12.0	Q1
LM95231CIMM-1/NOPB	VSSOP	DGK	8	1000	178.0	12.4	5.3	3.4	1.4	8.0	12.0	Q1
LM95231CIMM-2/NOPB	VSSOP	DGK	8	1000	178.0	12.4	5.3	3.4	1.4	8.0	12.0	Q1
LM95231CIMM/NOPB	VSSOP	DGK	8	1000	178.0	12.4	5.3	3.4	1.4	8.0	12.0	Q1
LM95231CIMMX-1/NOPB	VSSOP	DGK	8	3500	330.0	12.4	5.3	3.4	1.4	8.0	12.0	Q1
LM95231CIMMX-2/NOPB	VSSOP	DGK	8	3500	330.0	12.4	5.3	3.4	1.4	8.0	12.0	Q1
LM95231CIMMX/NOPB	VSSOP	DGK	8	3500	330.0	12.4	5.3	3.4	1.4	8.0	12.0	Q1

**TAPE AND REEL BOX DIMENSIONS**


\*All dimensions are nominal

Device	Package Type	Package Drawing	Pins	SPQ	Length (mm)	Width (mm)	Height (mm)
LM95231BIMM-1/NOPB	VSSOP	DGK	8	1000	210.0	185.0	35.0
LM95231BIMM-2/NOPB	VSSOP	DGK	8	1000	210.0	185.0	35.0
LM95231BIMM/NOPB	VSSOP	DGK	8	1000	210.0	185.0	35.0
LM95231BIMMX-1/NOPB	VSSOP	DGK	8	3500	367.0	367.0	35.0
LM95231BIMMX-2/NOPB	VSSOP	DGK	8	3500	367.0	367.0	35.0
LM95231BIMMX/NOPB	VSSOP	DGK	8	3500	367.0	367.0	35.0
LM95231CIMM-1	VSSOP	DGK	8	1000	210.0	185.0	35.0
LM95231CIMM-1/NOPB	VSSOP	DGK	8	1000	210.0	185.0	35.0
LM95231CIMM-2/NOPB	VSSOP	DGK	8	1000	210.0	185.0	35.0
LM95231CIMM/NOPB	VSSOP	DGK	8	1000	210.0	185.0	35.0
LM95231CIMMX-1/NOPB	VSSOP	DGK	8	3500	367.0	367.0	35.0
LM95231CIMMX-2/NOPB	VSSOP	DGK	8	3500	367.0	367.0	35.0
LM95231CIMMX/NOPB	VSSOP	DGK	8	3500	367.0	367.0	35.0

DGK (S-PDSO-G8)

PLASTIC SMALL-OUTLINE PACKAGE



- NOTES:
- A. All linear dimensions are in millimeters.
  - B. This drawing is subject to change without notice.
  - C. Body length does not include mold flash, protrusions, or gate burrs. Mold flash, protrusions, or gate burrs shall not exceed 0.15 per end.
  - D. Body width does not include interlead flash. Interlead flash shall not exceed 0.50 per side.
  - E. Falls within JEDEC MO-187 variation AA, except interlead flash.

## IMPORTANT NOTICE

Texas Instruments Incorporated and its subsidiaries (TI) reserve the right to make corrections, enhancements, improvements and other changes to its semiconductor products and services per JESD46, latest issue, and to discontinue any product or service per JESD48, latest issue. Buyers should obtain the latest relevant information before placing orders and should verify that such information is current and complete. All semiconductor products (also referred to herein as "components") are sold subject to TI's terms and conditions of sale supplied at the time of order acknowledgment.

TI warrants performance of its components to the specifications applicable at the time of sale, in accordance with the warranty in TI's terms and conditions of sale of semiconductor products. Testing and other quality control techniques are used to the extent TI deems necessary to support this warranty. Except where mandated by applicable law, testing of all parameters of each component is not necessarily performed.

TI assumes no liability for applications assistance or the design of Buyers' products. Buyers are responsible for their products and applications using TI components. To minimize the risks associated with Buyers' products and applications, Buyers should provide adequate design and operating safeguards.

TI does not warrant or represent that any license, either express or implied, is granted under any patent right, copyright, mask work right, or other intellectual property right relating to any combination, machine, or process in which TI components or services are used. Information published by TI regarding third-party products or services does not constitute a license to use such products or services or a warranty or endorsement thereof. Use of such information may require a license from a third party under the patents or other intellectual property of the third party, or a license from TI under the patents or other intellectual property of TI.

Reproduction of significant portions of TI information in TI data books or data sheets is permissible only if reproduction is without alteration and is accompanied by all associated warranties, conditions, limitations, and notices. TI is not responsible or liable for such altered documentation. Information of third parties may be subject to additional restrictions.

Resale of TI components or services with statements different from or beyond the parameters stated by TI for that component or service voids all express and any implied warranties for the associated TI component or service and is an unfair and deceptive business practice. TI is not responsible or liable for any such statements.

Buyer acknowledges and agrees that it is solely responsible for compliance with all legal, regulatory and safety-related requirements concerning its products, and any use of TI components in its applications, notwithstanding any applications-related information or support that may be provided by TI. Buyer represents and agrees that it has all the necessary expertise to create and implement safeguards which anticipate dangerous consequences of failures, monitor failures and their consequences, lessen the likelihood of failures that might cause harm and take appropriate remedial actions. Buyer will fully indemnify TI and its representatives against any damages arising out of the use of any TI components in safety-critical applications.

In some cases, TI components may be promoted specifically to facilitate safety-related applications. With such components, TI's goal is to help enable customers to design and create their own end-product solutions that meet applicable functional safety standards and requirements. Nonetheless, such components are subject to these terms.

No TI components are authorized for use in FDA Class III (or similar life-critical medical equipment) unless authorized officers of the parties have executed a special agreement specifically governing such use.

Only those TI components which TI has specifically designated as military grade or "enhanced plastic" are designed and intended for use in military/aerospace applications or environments. Buyer acknowledges and agrees that any military or aerospace use of TI components which have **not** been so designated is solely at the Buyer's risk, and that Buyer is solely responsible for compliance with all legal and regulatory requirements in connection with such use.

TI has specifically designated certain components as meeting ISO/TS16949 requirements, mainly for automotive use. In any case of use of non-designated products, TI will not be responsible for any failure to meet ISO/TS16949.

### Products

Audio	<a href="http://www.ti.com/audio">www.ti.com/audio</a>
Amplifiers	<a href="http://amplifier.ti.com">amplifier.ti.com</a>
Data Converters	<a href="http://dataconverter.ti.com">dataconverter.ti.com</a>
DLP® Products	<a href="http://www.dlp.com">www.dlp.com</a>
DSP	<a href="http://dsp.ti.com">dsp.ti.com</a>
Clocks and Timers	<a href="http://www.ti.com/clocks">www.ti.com/clocks</a>
Interface	<a href="http://interface.ti.com">interface.ti.com</a>
Logic	<a href="http://logic.ti.com">logic.ti.com</a>
Power Mgmt	<a href="http://power.ti.com">power.ti.com</a>
Microcontrollers	<a href="http://microcontroller.ti.com">microcontroller.ti.com</a>
RFID	<a href="http://www.ti-rfid.com">www.ti-rfid.com</a>
OMAP Applications Processors	<a href="http://www.ti.com/omap">www.ti.com/omap</a>
Wireless Connectivity	<a href="http://www.ti.com/wirelessconnectivity">www.ti.com/wirelessconnectivity</a>

### Applications

Automotive and Transportation	<a href="http://www.ti.com/automotive">www.ti.com/automotive</a>
Communications and Telecom	<a href="http://www.ti.com/communications">www.ti.com/communications</a>
Computers and Peripherals	<a href="http://www.ti.com/computers">www.ti.com/computers</a>
Consumer Electronics	<a href="http://www.ti.com/consumer-apps">www.ti.com/consumer-apps</a>
Energy and Lighting	<a href="http://www.ti.com/energy">www.ti.com/energy</a>
Industrial	<a href="http://www.ti.com/industrial">www.ti.com/industrial</a>
Medical	<a href="http://www.ti.com/medical">www.ti.com/medical</a>
Security	<a href="http://www.ti.com/security">www.ti.com/security</a>
Space, Avionics and Defense	<a href="http://www.ti.com/space-avionics-defense">www.ti.com/space-avionics-defense</a>
Video and Imaging	<a href="http://www.ti.com/video">www.ti.com/video</a>

### TI E2E Community

[e2e.ti.com](http://e2e.ti.com)

## Looking for pricing, stock, or lifecycle information?

Click below to explore more details on WIN SOURCE:

 [View LM95231BIMMX-2 on WIN SOURCE](#)

 [Texas Instruments](#) Information

## Optimize Your Supply Chain with WIN SOURCE Solutions

-  Global Sourcing Solution
-  Obsolete Management
-  Cost Control Management
-  Shortage Management
-  Alternative Solution
-  Excess Inventory Management