

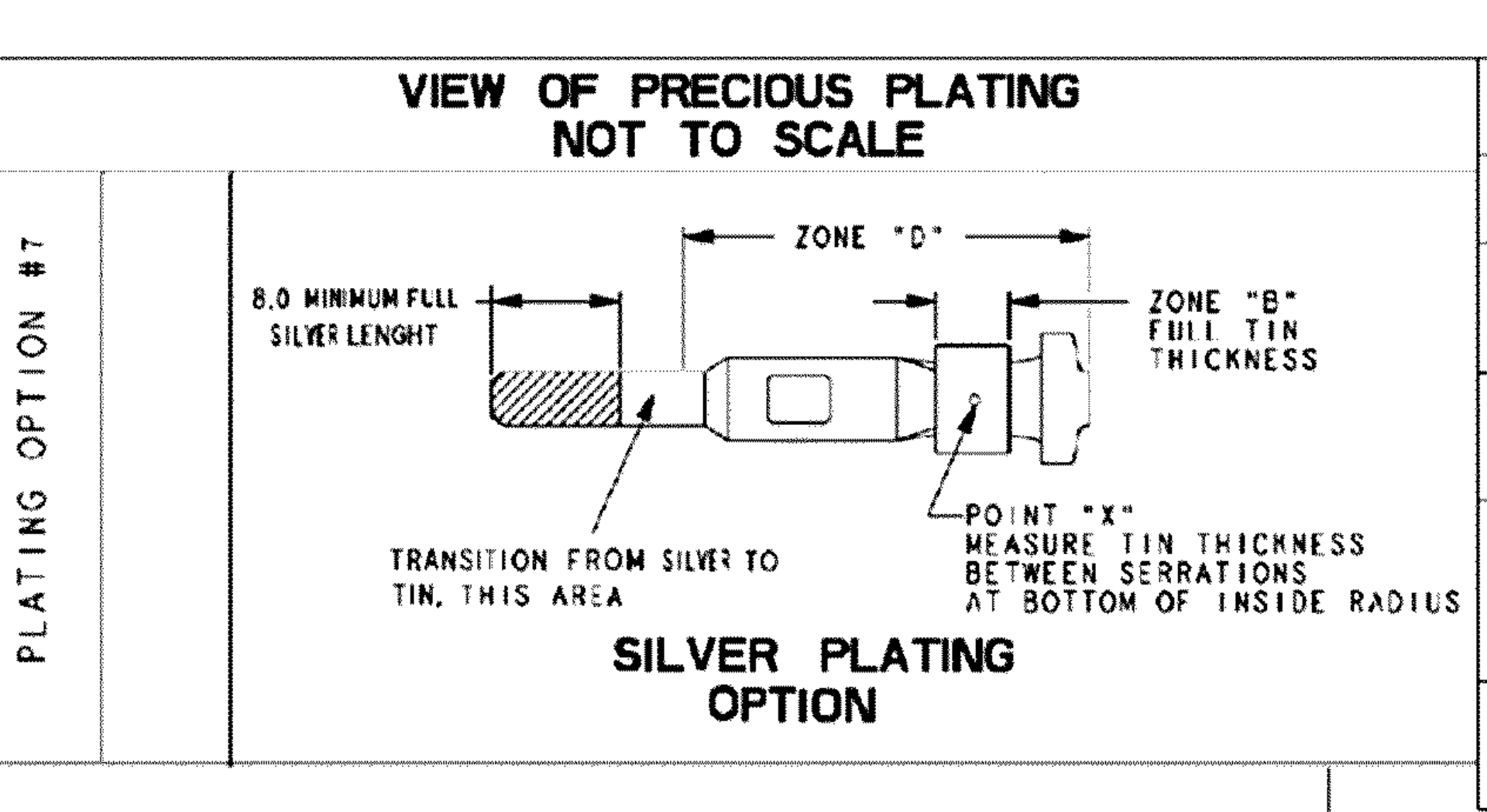


**THE DATASHEET OF
XY2500F-A-5.0-4P**



REV	DATE	BY	CHKD	DESCRIPTION
1	15/05/20	JAA	JAA	ISSUE FOR PRODUCTION
2	15/05/20	JAA	JAA	REVISION 1
3	15/05/20	JAA	JAA	REVISION 2
4	15/05/20	JAA	JAA	REVISION 3
5	15/05/20	JAA	JAA	REVISION 4
6	15/05/20	JAA	JAA	REVISION 5
7	15/05/20	JAA	JAA	REVISION 6
8	15/05/20	JAA	JAA	REVISION 7
9	15/05/20	JAA	JAA	REVISION 8
10	15/05/20	JAA	JAA	REVISION 9
11	15/05/20	JAA	JAA	REVISION 10
12	15/05/20	JAA	JAA	REVISION 11
13	15/05/20	JAA	JAA	REVISION 12
14	15/05/20	JAA	JAA	REVISION 13
15	15/05/20	JAA	JAA	REVISION 14
16	15/05/20	JAA	JAA	REVISION 15
17	15/05/20	JAA	JAA	REVISION 16
18	15/05/20	JAA	JAA	REVISION 17
19	15/05/20	JAA	JAA	REVISION 18
20	15/05/20	JAA	JAA	REVISION 19
21	15/05/20	JAA	JAA	REVISION 20
22	15/05/20	JAA	JAA	REVISION 21
23	15/05/20	JAA	JAA	REVISION 22

REV	DATE	BY	CHKD	DESCRIPTION
1	15/05/20	JAA	JAA	ISSUE FOR PRODUCTION
2	15/05/20	JAA	JAA	REVISION 1
3	15/05/20	JAA	JAA	REVISION 2
4	15/05/20	JAA	JAA	REVISION 3
5	15/05/20	JAA	JAA	REVISION 4
6	15/05/20	JAA	JAA	REVISION 5
7	15/05/20	JAA	JAA	REVISION 6
8	15/05/20	JAA	JAA	REVISION 7
9	15/05/20	JAA	JAA	REVISION 8
10	15/05/20	JAA	JAA	REVISION 9
11	15/05/20	JAA	JAA	REVISION 10
12	15/05/20	JAA	JAA	REVISION 11
13	15/05/20	JAA	JAA	REVISION 12
14	15/05/20	JAA	JAA	REVISION 13
15	15/05/20	JAA	JAA	REVISION 14
16	15/05/20	JAA	JAA	REVISION 15
17	15/05/20	JAA	JAA	REVISION 16
18	15/05/20	JAA	JAA	REVISION 17
19	15/05/20	JAA	JAA	REVISION 18
20	15/05/20	JAA	JAA	REVISION 19
21	15/05/20	JAA	JAA	REVISION 20
22	15/05/20	JAA	JAA	REVISION 21
23	15/05/20	JAA	JAA	REVISION 22

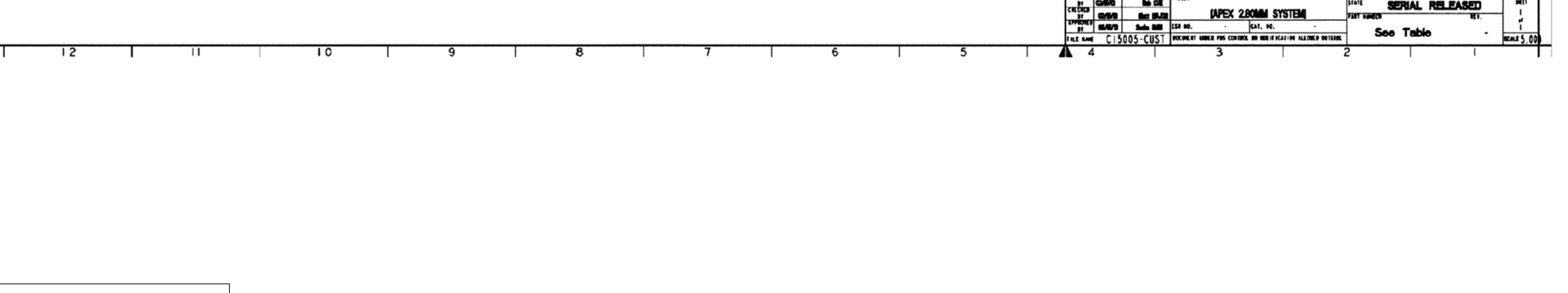
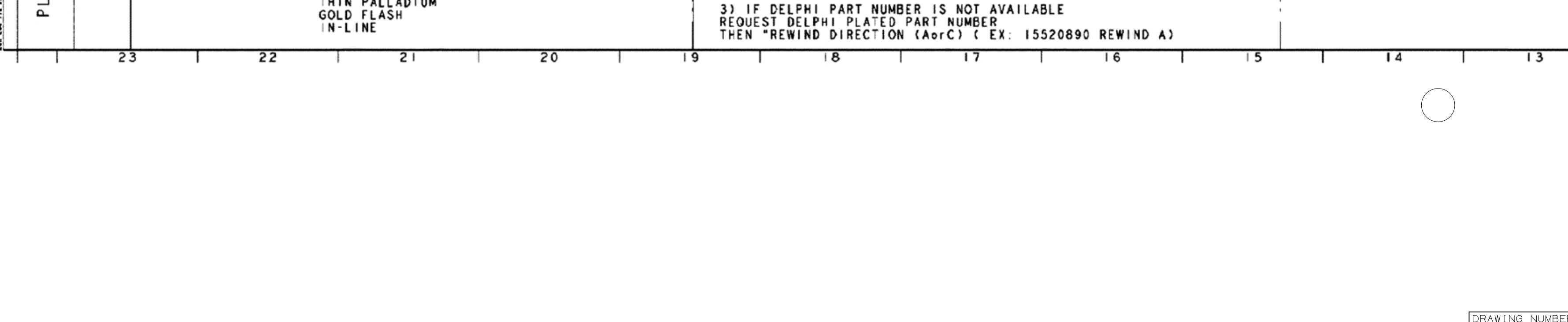
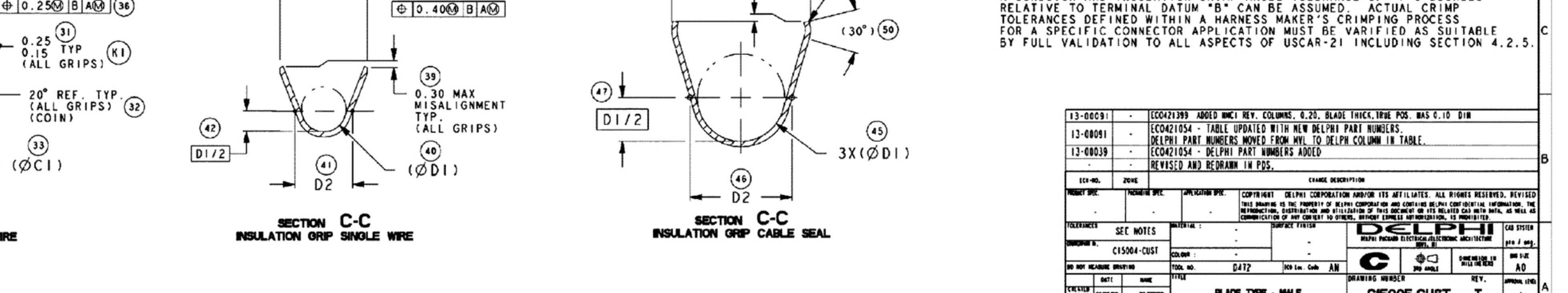
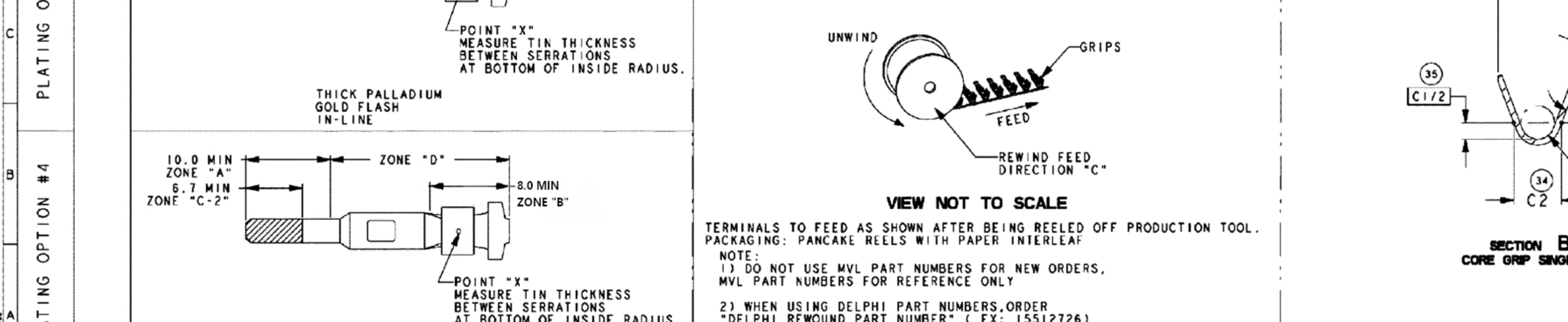
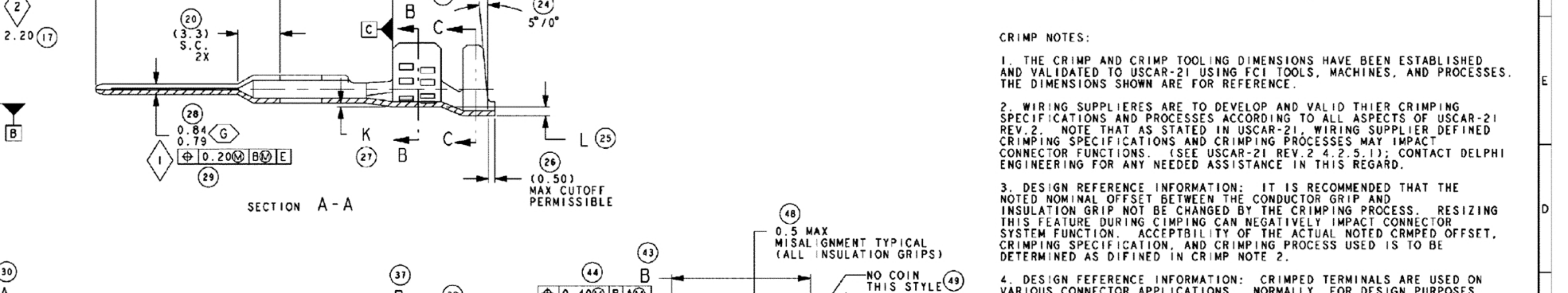
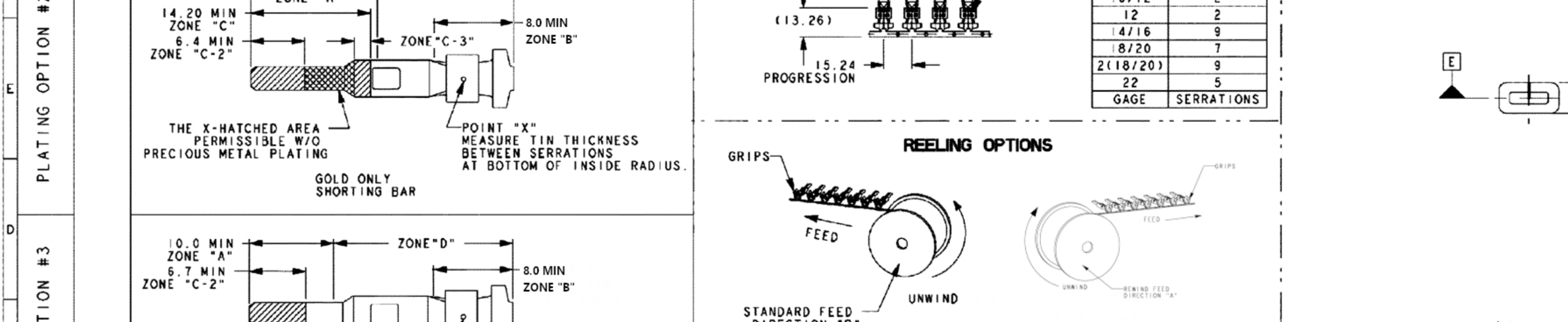
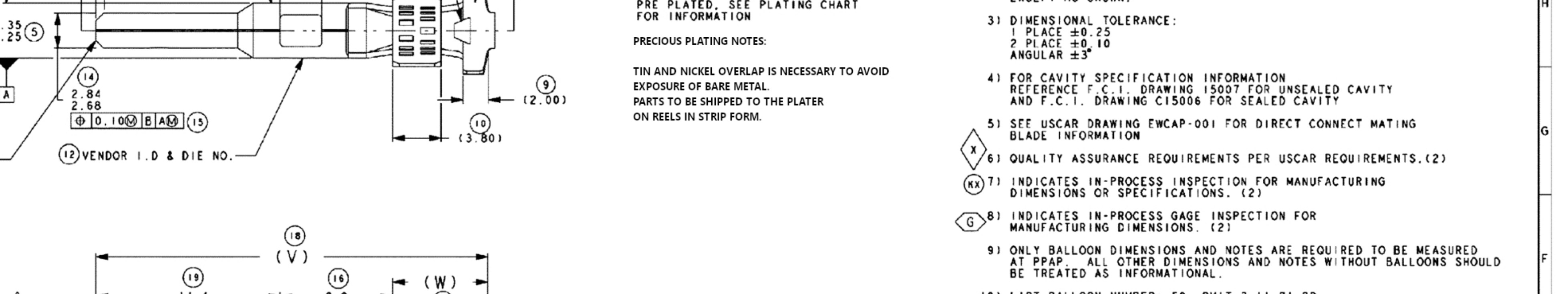
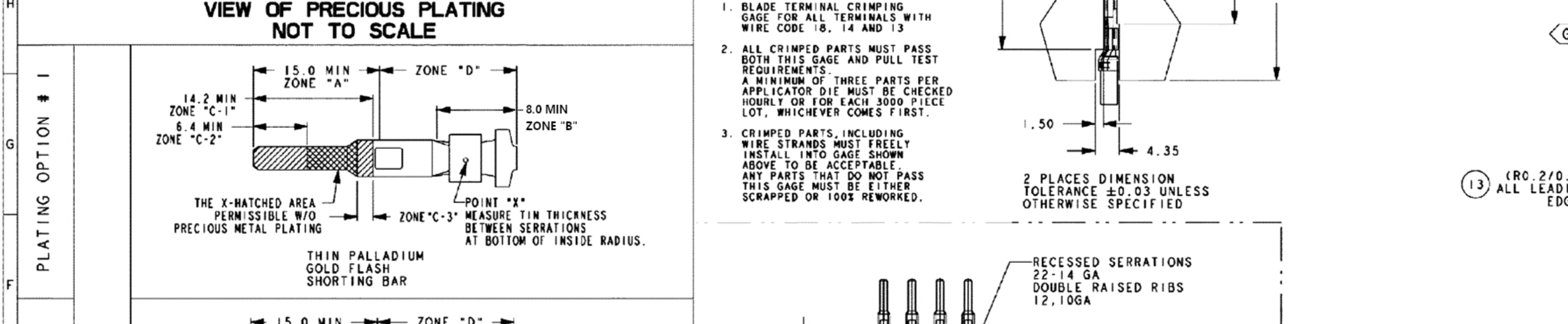
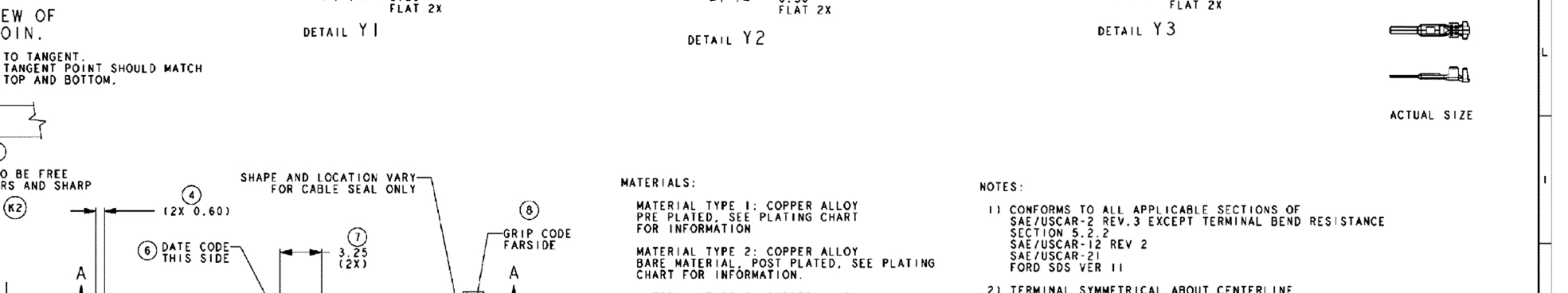
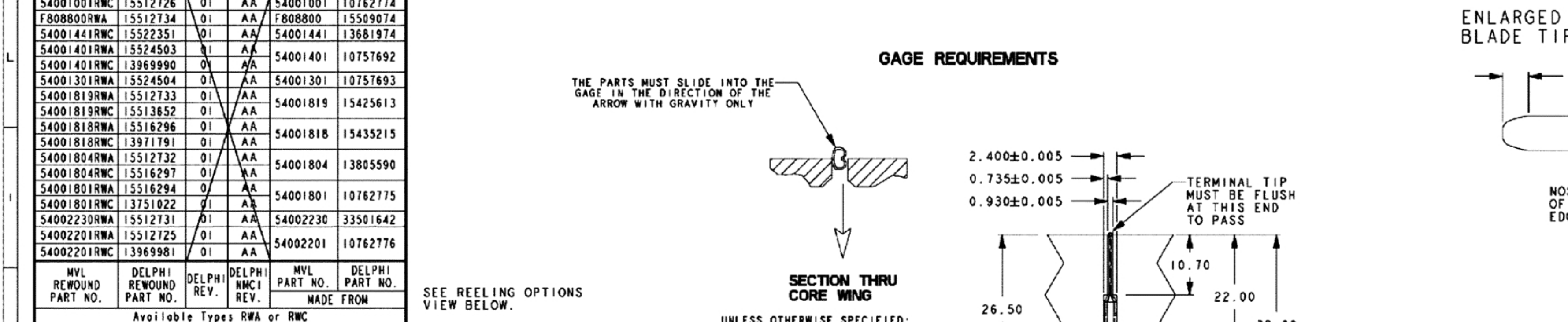


MATERIAL TYPE	PLATING OPT.	TYPE 2 OPTION #
PLATING	POST GOLD FLASH	POST SILVER
ZONE 'A'	ELECTRO DEPOSITED PURE SILVER	NETS 0.0025 (0.0025 MIN)
ZONE 'B'	ELECTRO MATT TIN PLATE	NETS 0.0025 (0.0025 MIN)
ZONE 'C'
ZONE 'D'	ELECTRO MATT TIN PLATE	0.0025 MINIMUM

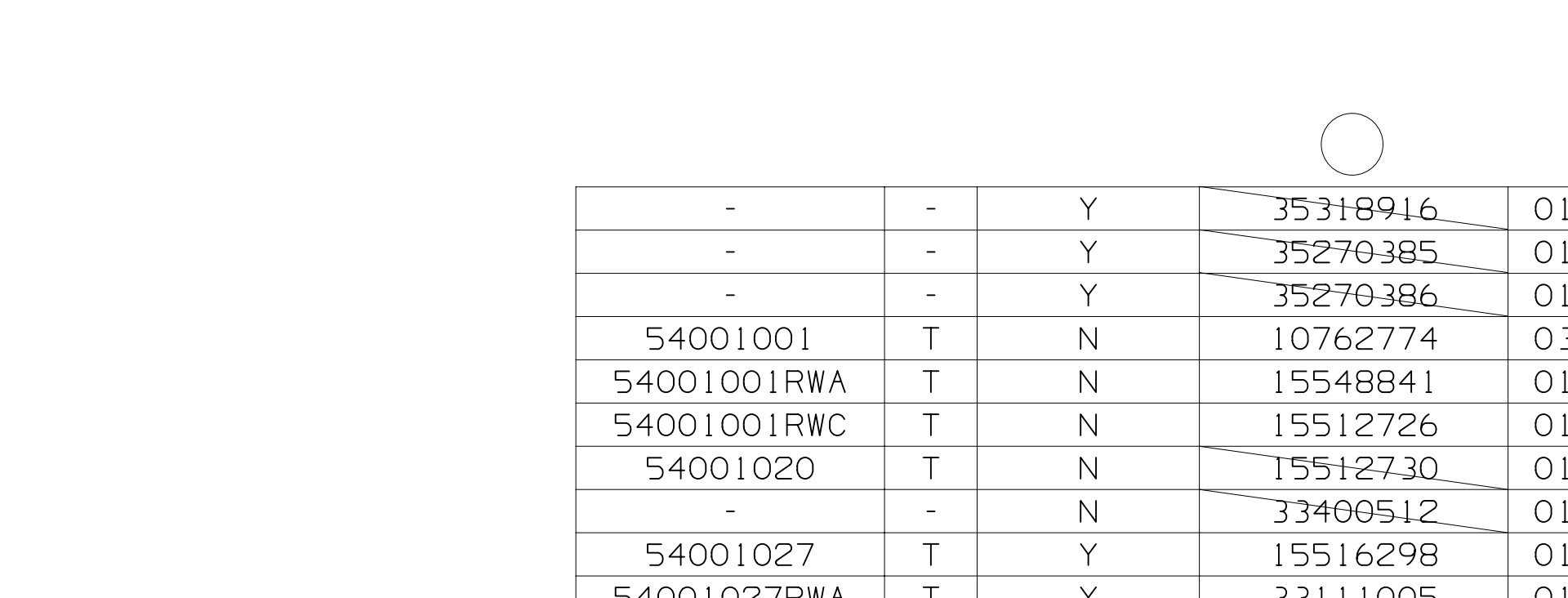
DATE	REV	BY	CHKD	DESCRIPTION
05/01/13	R 01	-	-	ALL PARTS - REVISION AND REDRAWN IN PRO SYSTEM, ADDED DELPHI PART NUMBERS AND UPDATED MVL CHART
15/01/13	R 02	-	-	ALL PARTS - ADDED MNCI COLUMN ON MVL CHART AND BLADE THICK TRUE POSITION WAS 0.10
14/01/13	R 03	-	-	33400512, 15512730, 10762774 & 15519823 - D18 'L' WAS 1.10; ALL PARTS - UPDATED MVL PASTE UP DWS TO REV LEVEL. 'L' DUE TO ORIGINAL PEAR AND ADDED DELPHI FORMAT & CHART. 33511894 - RELEASED
10/01/13	R 04	-	-	33111005 - RELEASED
05/01/13	R 05	-	-	15549841 - RELEASED
18/01/14	R 06	-	-	ALL PARTS - INSPECTION SYMBOL BALLOON #31 WAS 0.34; 2 TYP. 10757692, 13969900, 15524903, 33400514 & 33511841 - 42 - UPDATED 'WIRE SIZE' & 'INSULATION DIAMETER' INFO ON CHART FOR 14/16 GAGE
24/1/17	R 07	-	-	13969981, 15520916, 15520916-17, 15519823, 15512730, 33400512 & 33511841 - 42 - UPDATED PART AVAILABILITY
09/11/18	R 08	-	-	33400512-14, 33400516, 33511840-41 & 33511843-44 - ADDED 'PLATING OPTION #' VIEW
04/01/18	R 09	-	-	35270385, 86 - RELEASED; 15520974, 15522734 - WIRE SIZE WAS 2.5
05/01/19	R 10	-	-	35270385 & 35270386 - CORRECTED PART AVAILABILITY IN PASTE UP
05/01/19	R 11	-	-	35270385 - UPDATED MVL PASTE UP DWS, 'L' WAS 1.4 & ADDED 'M' VALUE; 35270386 - UPDATED MVL PASTE UP DWS, 'WIRE SIZE METRIC' WAS 0.5-1, 'C1' WAS 1, 'C2' WAS 2-3, 'L' WAS 1.1 & ADDED 'M' VALUE; 35318916 - RELEASED
22/01/19	R 12	-	-	13969981 - UPDATED PART AVAILABILITY
06/02/20	R 13	-	-	13681974, 13895590, 13971791, 15425613, 15425614, 15509074, 15512730, 15513650, 15516296, 15516297, 15520916, 15520917, 33400515 & 33501642 - ADDED PRECIOUS PLATING NOTE AND UPDATED REWIND FEED 'A' VIEW ON REELING OPTIONS, PLATING OPTION CHART & VIEWS ON PASTE UP DWS; 15520890 - UPDATED PART AVAILABILITY

REV	DATE	BY	CHKD	DESCRIPTION
1	15/05/20	JAA	JAA	ISSUE FOR PRODUCTION
2	15/05/20	JAA	JAA	REVISION 1
3	15/05/20	JAA	JAA	REVISION 2
4	15/05/20	JAA	JAA	REVISION 3
5	15/05/20	JAA	JAA	REVISION 4
6	15/05/20	JAA	JAA	REVISION 5
7	15/05/20	JAA	JAA	REVISION 6
8	15/05/20	JAA	JAA	REVISION 7
9	15/05/20	JAA	JAA	REVISION 8
10	15/05/20	JAA	JAA	REVISION 9
11	15/05/20	JAA	JAA	REVISION 10
12	15/05/20	JAA	JAA	REVISION 11
13	15/05/20	JAA	JAA	REVISION 12
14	15/05/20	JAA	JAA	REVISION 13
15	15/05/20	JAA	JAA	REVISION 14
16	15/05/20	JAA	JAA	REVISION 15
17	15/05/20	JAA	JAA	REVISION 16
18	15/05/20	JAA	JAA	REVISION 17
19	15/05/20	JAA	JAA	REVISION 18
20	15/05/20	JAA	JAA	REVISION 19
21	15/05/20	JAA	JAA	REVISION 20
22	15/05/20	JAA	JAA	REVISION 21
23	15/05/20	JAA	JAA	REVISION 22

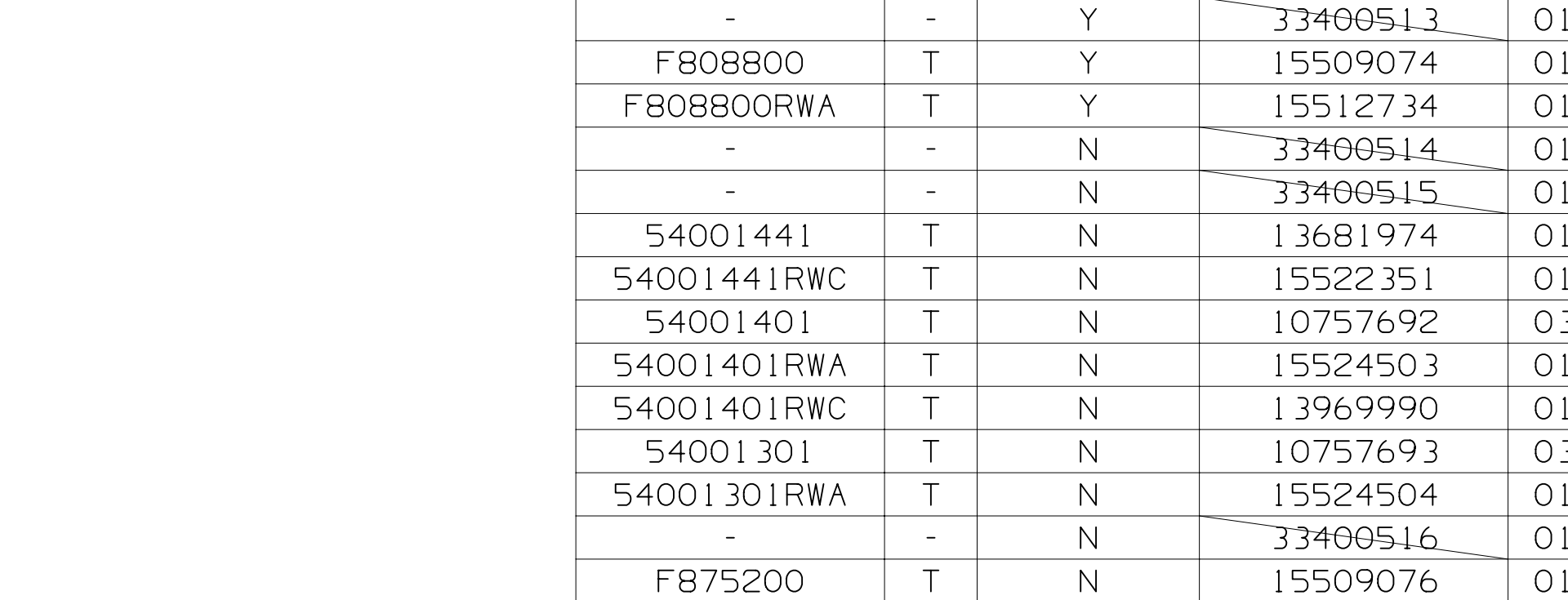
REV	DATE	BY	CHKD	DESCRIPTION
1	15/05/20	JAA	JAA	ISSUE FOR PRODUCTION
2	15/05/20	JAA	JAA	REVISION 1
3	15/05/20	JAA	JAA	REVISION 2
4	15/05/20	JAA	JAA	REVISION 3
5	15/05/20	JAA	JAA	REVISION 4
6	15/05/20	JAA	JAA	REVISION 5
7	15/05/20	JAA	JAA	REVISION 6
8	15/05/20	JAA	JAA	REVISION 7
9	15/05/20	JAA	JAA	REVISION 8
10	15/05/20	JAA	JAA	REVISION 9
11	15/05/20	JAA	JAA	REVISION 10
12	15/05/20	JAA	JAA	REVISION 11
13	15/05/20	JAA	JAA	REVISION 12
14	15/05/20	JAA	JAA	REVISION 13
15	15/05/20	JAA	JAA	REVISION 14
16	15/05/20	JAA	JAA	REVISION 15
17	15/05/20	JAA	JAA	REVISION 16
18	15/05/20	JAA	JAA	REVISION 17
19	15/05/20	JAA	JAA	REVISION 18
20	15/05/20	JAA	JAA	REVISION 19
21	15/05/20	JAA	JAA	REVISION 20
22	15/05/20	JAA	JAA	REVISION 21
23	15/05/20	JAA	JAA	REVISION 22



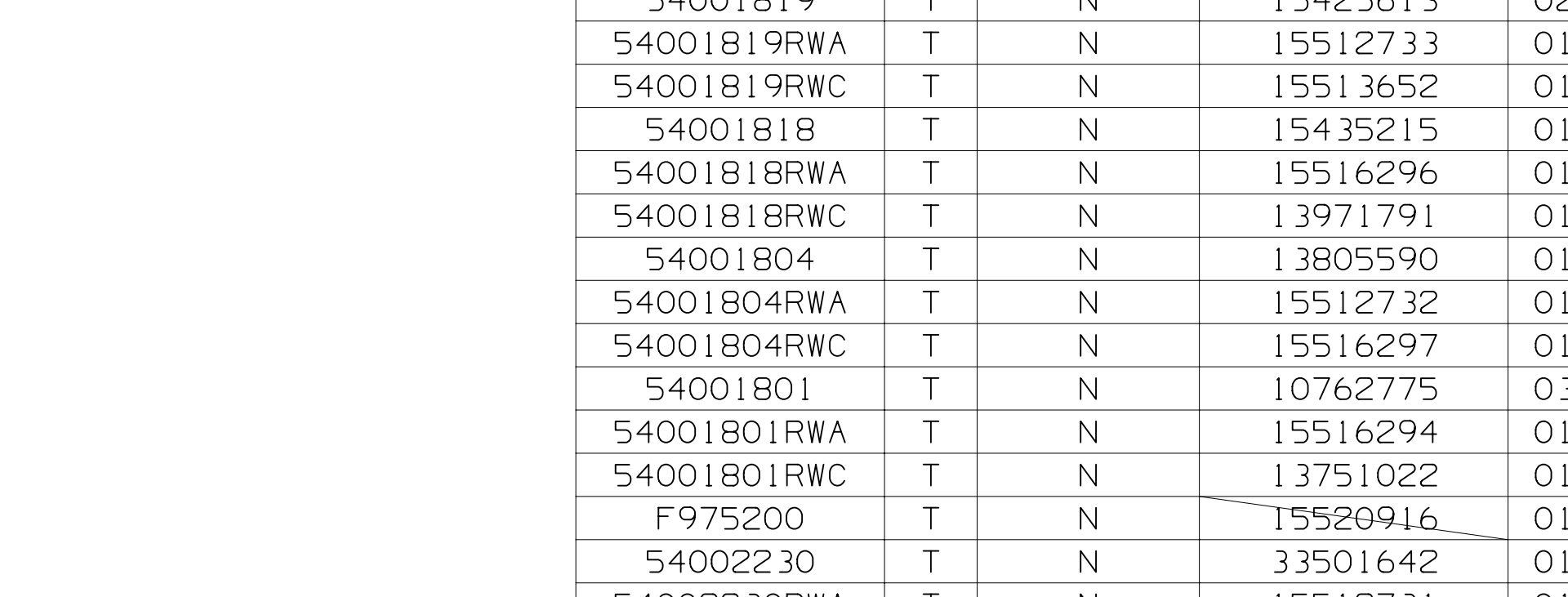
REV	DATE	BY	CHKD	DESCRIPTION
1	15/05/20	JAA	JAA	ISSUE FOR PRODUCTION
2	15/05/20	JAA	JAA	REVISION 1
3	15/05/20	JAA	JAA	REVISION 2
4	15/05/20	JAA	JAA	REVISION 3
5	15/05/20	JAA	JAA	REVISION 4
6	15/05/20	JAA	JAA	REVISION 5
7	15/05/20	JAA	JAA	REVISION 6
8	15/05/20	JAA	JAA	REVISION 7
9	15/05/20	JAA	JAA	REVISION 8
10	15/05/20	JAA	JAA	REVISION 9
11	15/05/20	JAA	JAA	REVISION 10
12	15/05/20	JAA	JAA	REVISION 11
13	15/05/20	JAA	JAA	REVISION 12
14	15/05/20	JAA	JAA	REVISION 13
15	15/05/20	JAA	JAA	REVISION 14
16	15/05/20	JAA	JAA	REVISION 15
17	15/05/20	JAA	JAA	REVISION 16
18	15/05/20	JAA	JAA	REVISION 17
19	15/05/20	JAA	JAA	REVISION 18
20	15/05/20	JAA	JAA	REVISION 19
21	15/05/20	JAA	JAA	REVISION 20
22	15/05/20	JAA	JAA	REVISION 21
23	15/05/20	JAA	JAA	REVISION 22



REV	DATE	BY	CHKD	DESCRIPTION
1	15/05/20	JAA	JAA	ISSUE FOR PRODUCTION
2	15/05/20	JAA	JAA	REVISION 1
3	15/05/20	JAA	JAA	REVISION 2
4	15/05/20	JAA	JAA </tr	



REV	DATE	BY	CHKD	DESCRIPTION
1	15/05/20	JAA	JAA	ISSUE FOR PRODUCTION
2	15/05/20	JAA	JAA	REVISION 1
3	15/05/20	JAA	JAA	REVISION 2
4	15/05/20	JAA	JAA	REVISION 3
5	15/05/20	JAA	JAA	REVISION 4
6	15/05/20	JAA	JAA	REVISION 5
7	15/05/20	JAA	JAA	REVISION 6
8	15/05/20	JAA	JAA	REVISION 7
9	15/05/20	JAA	JAA	REVISION 8
10	15/05/20	JAA	JAA	REVISION 9
11	15/05/20	JAA	JAA	REVISION 10
12	15/05/20	JAA	JAA	REVISION 11
13	15/05/20	JAA	JAA	REVISION 12
14	15/05/20	JAA	JAA	REVISION 13
15	15/05/20	JAA	JAA	REVISION 14
16	15/05/20	JAA	JAA	REVISION 15
17	15/05/20	JAA	JAA	REVISION 16
18	15/05/20	JAA	JAA	REVISION 17
19	15/05/20	JAA	JAA	REVISION 18
20	15/05/20	JAA	JAA	REVISION 19
21	15/05/20	JAA	JAA	REVISION 20
22	15/05/20	JAA	JAA	REVISION 21
23	15/05/20	JAA	JAA	REVISION 22



REV	DATE	BY	CHKD
-----	------	----	------

Looking for pricing, stock, or lifecycle information?

Click below to explore more details on WIN SOURCE:

- ⊖ [View XY2500F-A-5.0-4P on WIN SOURCE](#)
- ⊖ [Ningbo Xinlaiya Electronic Technology Co., Ltd. Information](#)

Optimize Your Supply Chain with WIN SOURCE Solutions

- ✓ Global Sourcing Solution
- ✓ Obsolete Management
- ✓ Cost Control Management
- ✓ Shortage Management
- ✓ Alternative Solution
- ✓ Excess Inventory Management