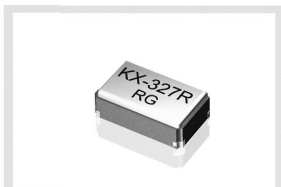




**THE DATASHEET OF**  
**12.87163**



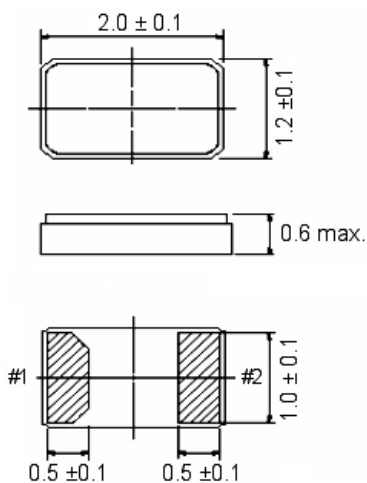


## Tuning Fork Crystal

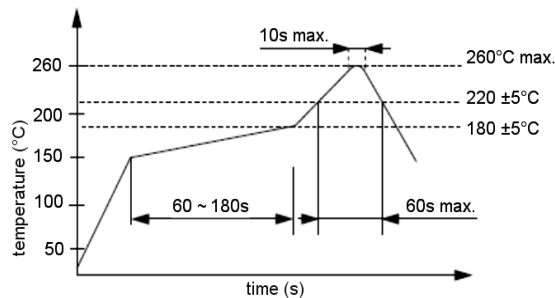
SMD-version

part no.	12.87163
model	KX-327RT
frequency	32.768 kHz
operating temperature	-40° ~ +85°C
frequency tolerance (df/F) at +25°C ±3°C	±20 ppm
temperature tolerance (parabolic coefficient)	-0.030 ppm ±10%/°C <sup>2</sup> typ.
turnover temperature	+25°C ±5°C
storage temperature range	-55°C ~ +125°C
load capacitance C <sub>L</sub>	7.0 pF
motional capacitance (C <sub>1</sub> )	6 fF typ.
series resistance R1	60k Ohm typ., 70k Ohm max.
aging (df/F) (first year) at 25°C ±3°C	±3 ppm
shunt capacitance C <sub>0</sub>	1.3 pF typ.
drive level	0.1 μW typ.
contents of reel	3000 pcs.

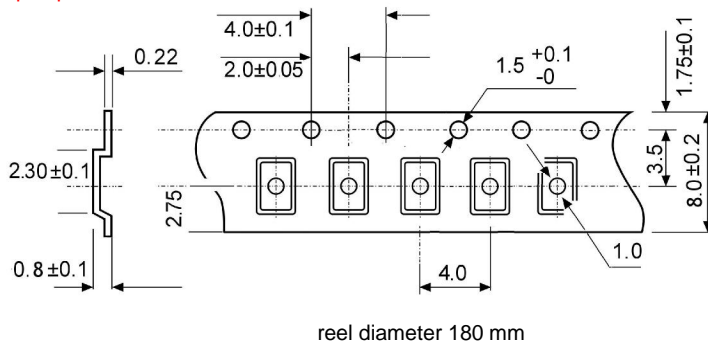
### Dimensions (mm):



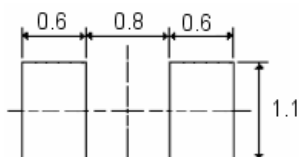
### Reflow soldering condition:



### Tape specification:



### Suggested soldering pad:



## Looking for pricing, stock, or lifecycle information?

Click below to explore more details on WIN SOURCE:

- [View 12.87163 on WIN SOURCE](#)
- [Geyer Electronic America, Inc. Information](#)

## Optimize Your Supply Chain with WIN SOURCE Solutions

- ✓ Global Sourcing Solution
- ✓ Obsolete Management
- ✓ Cost Control Management
- ✓ Shortage Management
- ✓ Alternative Solution
- ✓ Excess Inventory Management