

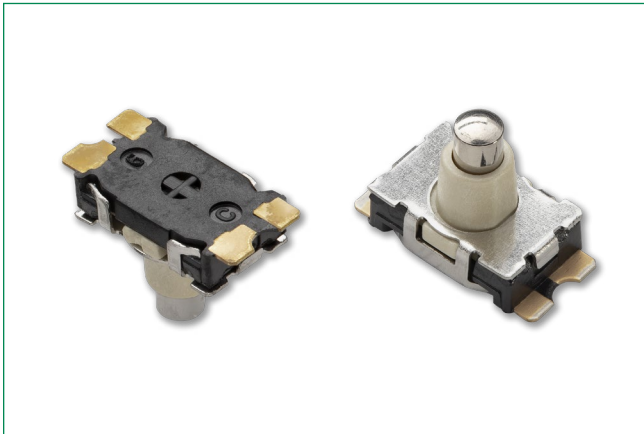


**THE DATASHEET OF  
KSU213WLFG**



# KSU Series

## Micro Mini Surface Mount Detect Switches



### Specifications

<b>Function</b>	Momentary action
<b>Contact Type</b>	SPST normally open
<b>Terminals</b>	Gullwing type for SMT

### Mechanical Characteristics

<b>Switching Force</b>	0.7 ± 0.5 N
<b>Travel to Make</b>	0.65 mm - 0.45/+0.25 mm
<b>Mechanical Travel</b>	1.5 ± 0.2 mm
<b>Operating Life</b>	100,000 cycles
<b>Packaging</b>	Switches are delivered on continuous tape, in reels of 1,000 pieces

### Electrical Characteristics

	Gold	Silver
<b>Max. Power</b>	0.2 VA	0.1 VA
<b>Min./Max. Voltage</b>	20 mV - 32 VDC	
<b>Min./Max. Current</b>	0.01 mA - 10 mA	1 mA - 50 mA
<b>Contact Resistance</b>	≤ 100 mΩ	
<b>Insulation Resistance</b>	(100 VDC) 10 <sup>9</sup> Ω	
<b>Dielectric Strength</b>	≥ 250 Vrms	
<b>Bounce Time</b>	≤ 3 ms	

### Environmental Characteristics

<b>Operating Temperature</b>	-40°C to 125°C	-40°C to 85°C
<b>Storage Temperature</b>	-55°C to 125°C	-40°C to 85°C

### Process

<b>Soldering</b>	Compatible with lead free reflow process
------------------	------------------------------------------

#### Notes:

Specifications and materials listed above are for switches with standard options. For information on specific and custom switches, consult Customer Service Center.

## Description

For engineers designing audio devices, alarms or medical devices, the KSU series micro mini surface mount detect switch is a perfect match. Featuring multi-contact construction, a metal actuator and low actuating force, the KSU series is high-performance and long lasting – while being tough enough for today's devices.

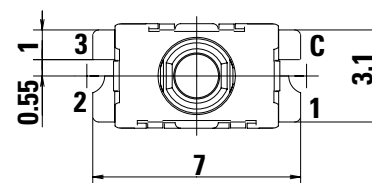
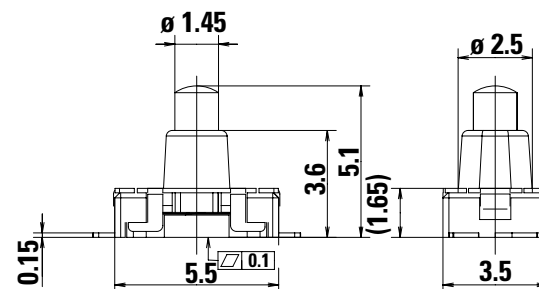
## Features & Benefits

- New multi contact construction
- Metal actuator
- Low actuating force
- RoHS compliant and compatible

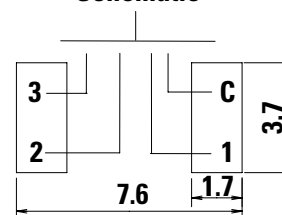
## Applications

- Mobile phones and other handheld devices
- Portable medical devices
- Audio devices
- Alarm devices
- Payment terminals
- Smart meters

### Dimensions (in mm)



### Schematic



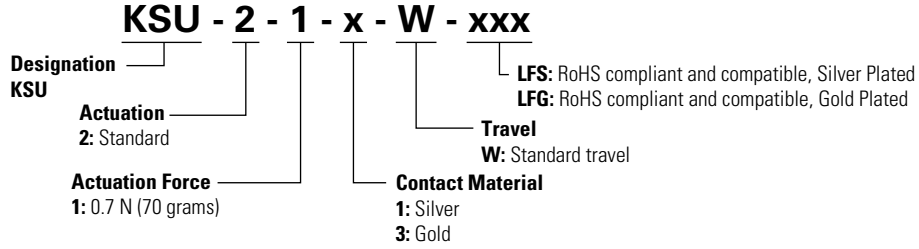
# KSU Series

## Micro Mini Surface Mount Detect Switches

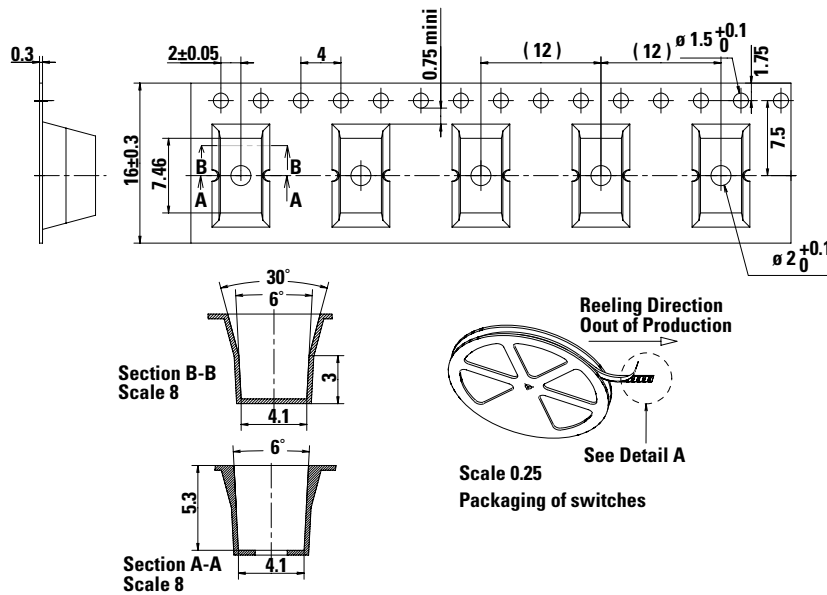


### Ordering Number

Our easy build-a-switch concept allows you to mix and match options to create the switch you need. To order, select desired option from each category and place it in the appropriate box. For any part number different from those listed above, please consult your local representative.



### Tape & Reel (in mm)



**Disclaimer Notice** - Information furnished is believed to be accurate and reliable. However, users should independently evaluate the suitability of and test each product selected for their own applications. Littelfuse products are not designed for, and may not be used in, all applications. Read complete Disclaimer Notice at <http://www.littelfuse.com/disclaimer-electronics>.

## Looking for pricing, stock, or lifecycle information?

Click below to explore more details on WIN SOURCE:

- ⊖ [View KSU213WLFG on WIN SOURCE](#)
- ⊖ [C&K Components Information](#)

## Optimize Your Supply Chain with WIN SOURCE Solutions

- ✓ Global Sourcing Solution
- ✓ Obsolete Management
- ✓ Cost Control Management
- ✓ Shortage Management
- ✓ Alternative Solution
- ✓ Excess Inventory Management