

DO NOT SCALE FROM THIS PRINT

DESIGNED & DIMENSIONED IN MILLIMETERS

ISS1-XX-L

ROW SPECIFICATION
-S: SINGLE ROW

OPTION
-L: POSITIVE LATCH

No OF POSITIONS
-02 THRU -05
-06 THRU -20

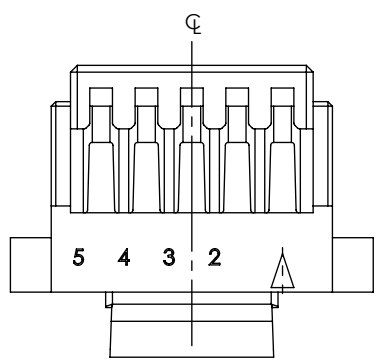
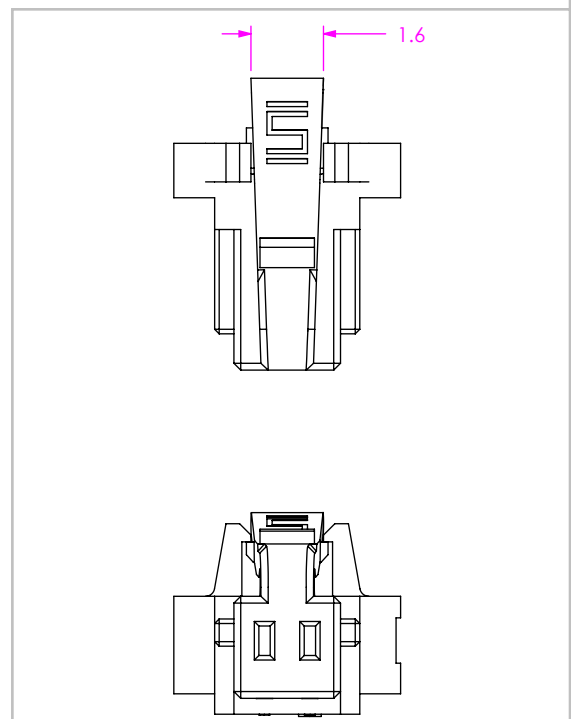
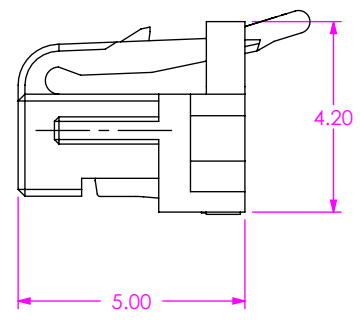
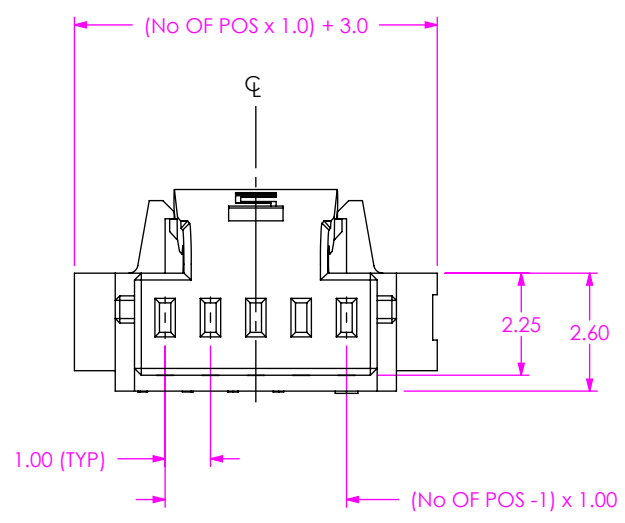
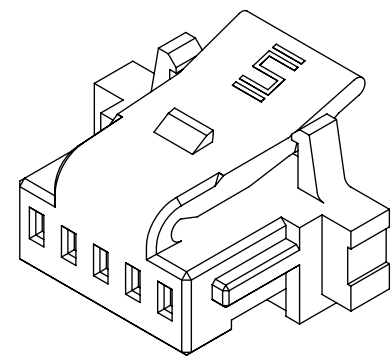
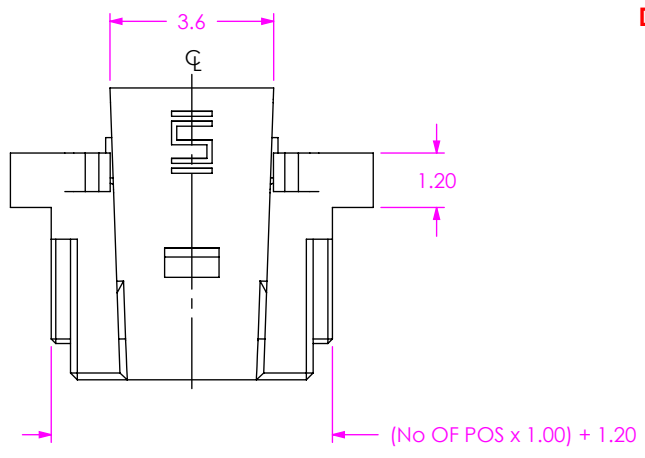



FIG 1
ISS1-05-L SHOWN

FIG 2
ISS1-02-L SHOWN
(DIFFERENT AS SHOWN, OTHERWISE SAME AS FIG 1)
(FOR POSITIONS -02 THRU -04)

UNLESS OTHERWISE SPECIFIED, DIMENSIONS ARE IN MILLIMETERS.		<p>PROPRIETARY NOTE</p> <p>THIS DOCUMENT CONTAINS CONFIDENTIAL AND PROPRIETARY INFORMATION AND ALL DESIGN, MANUFACTURING, REPRODUCTION, USE, PATENT RIGHTS AND SALES RIGHTS ARE EXPRESSLY RESERVED BY SAMTEC, INC. THIS DOCUMENT SHALL NOT BE DISCLOSED, IN WHOLE OR PART, TO ANY UNAUTHORIZED PERSON OR ENTITY NOR REPRODUCED, TRANSFERRED OR INCORPORATED IN ANY OTHER PROJECT IN ANY MANNER WITHOUT THE EXPRESS WRITTEN CONSENT OF SAMTEC, INC.</p>	
MATERIAL:	DO NOT SCALE DRAWING	SHEET SCALE:	6:1
NYLON, COLOR: LIGHT GREEN		DESCRIPTION:	1.00 MM PITCH S1SX BODY
		DWG. NO.	ISS1-XX-L
		BY: JESSIE W	10/30/2014 SHEET 1 OF 1

Looking for pricing, stock, or lifecycle information?

Click below to explore more details on WIN SOURCE:

 [View ISS1-08 on WIN SOURCE](#)

 [Samtec Inc. Information](#)

Optimize Your Supply Chain with WIN SOURCE Solutions

-  Global Sourcing Solution
-  Obsolete Management
-  Cost Control Management
-  Shortage Management
-  Alternative Solution
-  Excess Inventory Management