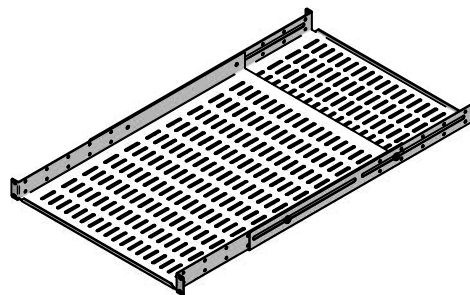




**THE DATASHEET OF  
ADSV2536BK**

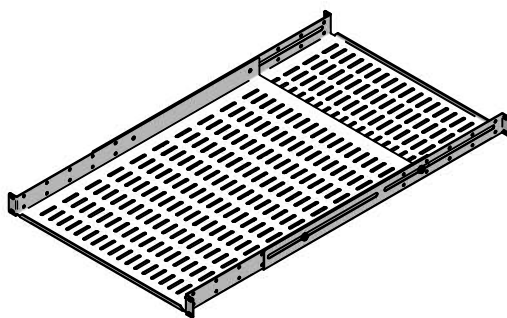


PARTS LIST  
LISTE DES PIÈCES

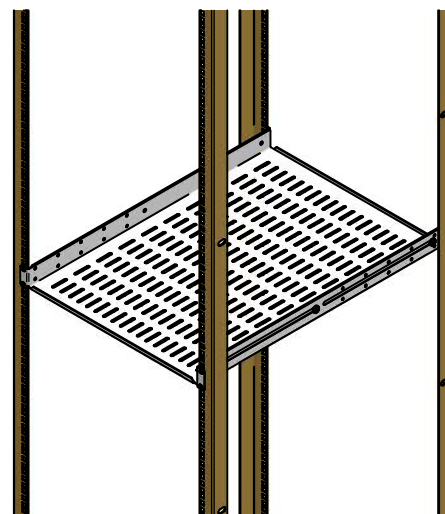


PART 1  
ADJ DEPTH SHELF  
1X

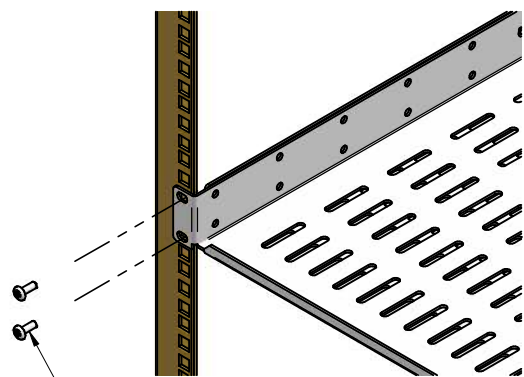
1



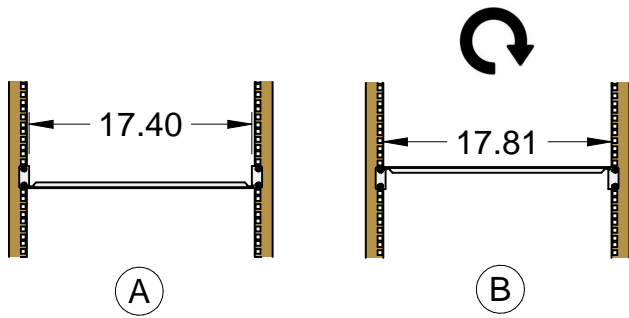
2



3



Mounting Hardware  
Not Included/Non Inclus



TOOL BOX



BOÎTE À OUTILS





## Looking for pricing, stock, or lifecycle information?

Click below to explore more details on WIN SOURCE:

- ⊖ [View ADSV2536BK on WIN SOURCE](#)
- ⊖ [Hammond Manufacturing Information](#)

## Optimize Your Supply Chain with WIN SOURCE Solutions

- ✓ Global Sourcing Solution
- ✓ Obsolete Management
- ✓ Cost Control Management
- ✓ Shortage Management
- ✓ Alternative Solution
- ✓ Excess Inventory Management