



THE DATASHEET OF HDNS-2200



HDNS-2200 and HDNS-2200 #001

Solid-State Optical Mouse LED Assembly Clip



Data Sheet



Description

The HDNS-2200 LED Assembly Clip is designed to provide optical and mechanical coupling of a standard T13/4 (5 mm diameter) LED to the HDNS-2100 Solid State Optical Mouse Lens. This coupling is essential to achieve the proper illumination required for the HDNS-2000 Sensor to operate on a wide variety of surfaces.

The clip also provides a mechanical compression feature which locates over the HDNS-2000 and is used to ensure that a light mechanical contact is always maintained between the HDNS-2000 Sensor and the HDNS-2100 Lens when assembled. The inner surface of the top case of the mouse housing should be designed to lightly compress this feature when the case is closed at final assembly.

Ordering Information

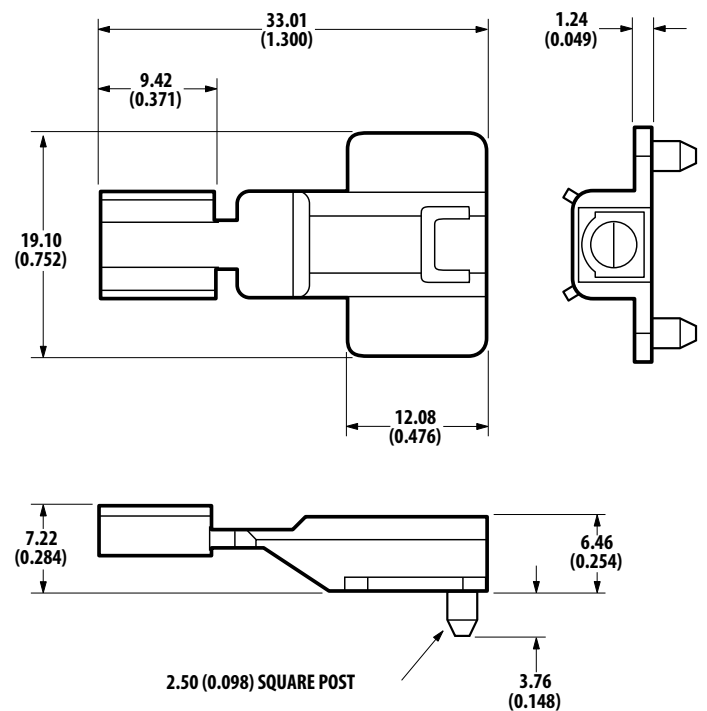
Specify Part Number as follows:

Minimum order quantity of 100.

Color	Part Number
Black	HDNS-2200
Clear	HDNS-2200 #001

HDNS-2200 LED Assembly Clip

Outline Drawing



DIMENSIONS IN MILLIMETERS (INCHES)

For product information and a complete list of distributors, please go to our web site: www.avagotech.com

Looking for pricing, stock, or lifecycle information?

Click below to explore more details on WIN SOURCE:

 [View HDNS-2200 on WIN SOURCE](#)

 [Broadcom Limited](#) Information

Optimize Your Supply Chain with WIN SOURCE Solutions

-  Global Sourcing Solution
-  Obsolete Management
-  Cost Control Management
-  Shortage Management
-  Alternative Solution
-  Excess Inventory Management