




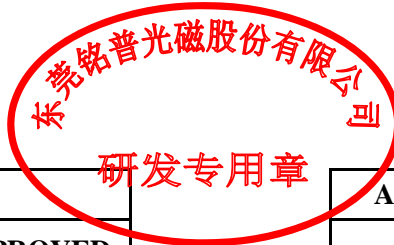
# THE DATASHEET OF H1651CG



## Product Specification for Approval

WE ARE PLEASED IN SUBMITTING OUR SAMPLES WITH SPECIFICATION TO YOU FOR APPROVAL.

<b>CUSTOMER</b>	:		
<b>DESCRIPTION</b>	:	<b>10/100 BASE-T TRANSFORMER</b>	
<b>MNC P/N</b>	:	<b>H1651CG</b>	
<b>VERSION</b>	:	<b>A0</b>	
<b>CUSTOMER P/N</b>	:		
<b>ISSUED DATE</b>	:	<b>2020/04/27</b>	
<b>PHOTO OF PRODUCT</b>	:		
<b>WEIGHT</b>	:		<b>0.27g</b>
<b>MADE IN</b>	:		<b>CHINA</b>



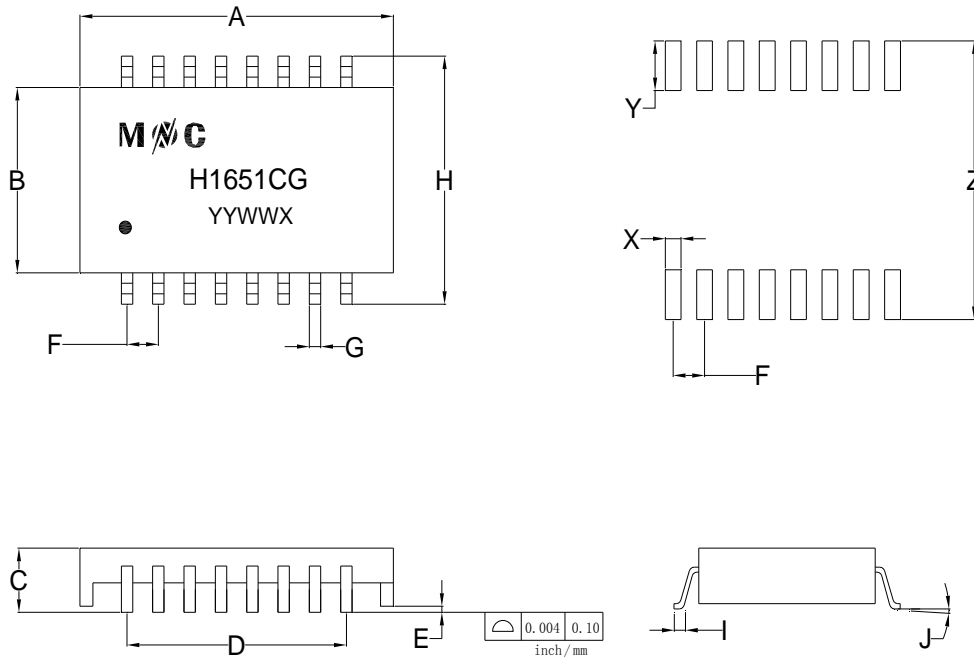
APPROVED BY MNC			APPROVED BY CUSTOMER
PREPARED BY	CHECKED BY	APPROVED BY	SIGNATURE OR STAMP
研发部 2020-04-27 符晶晶	研发部 2020-04-27 肖明华	研发部 2020-04-27 何校民	

1. PLEASE SEND BACK US A COPY OF THE SPECIFICATION WITH YOUR STAMP OR SIGNATURE ONCE THE SAMPLES APPROVED.
2. IT WILL BE DEEMED THE SAMPLES TO BE APPROVED IF NO FEEDBACK.

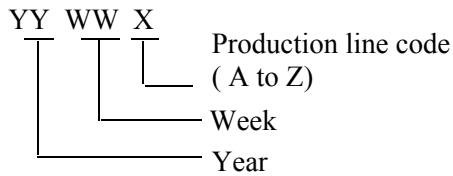
东莞铭普光磁股份有限公司  
 Add: Shipai Town, Dongguan City, Guangdong Province, China

TEL: +86-769-86921000  
 FAX: +86-769-81701563



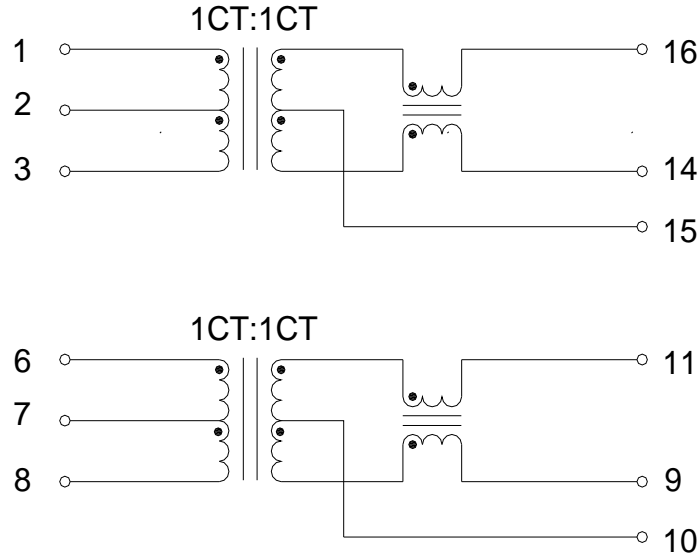
**SPECIFICATION**
**Part No. H1651CG**
**A. MECHANICAL :**


Note: Laser printing marking

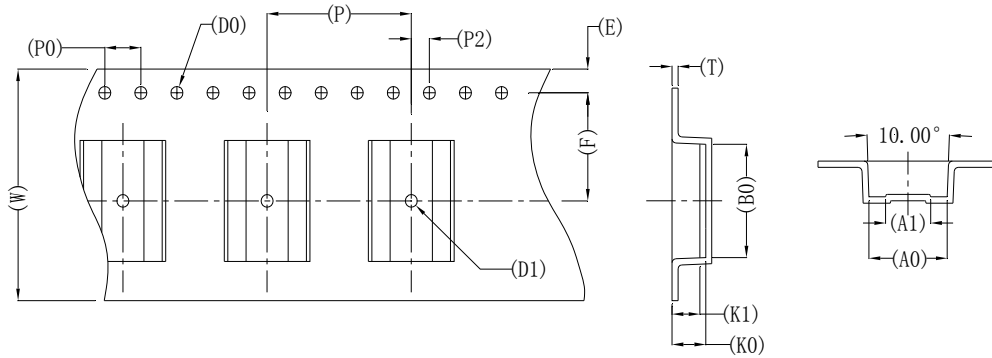


1. UNITS: mm/inch.
2. UNLESS OTHERWISE SPECIFIED ALL TOLERANCES ARE: TYPICAL
3. PIN LENGTH DON'T INCLUDE SOLDER POINT

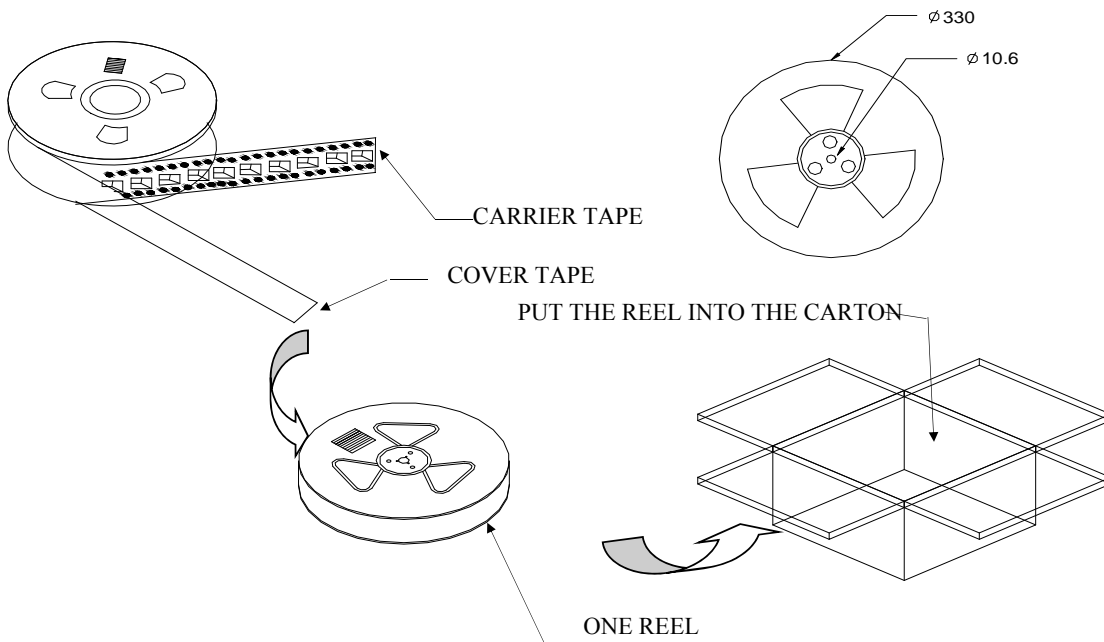
DIM	MILLIMETERS			INCHES		
	MIN	NOM	MAX	MIN	NOM	MAX
A	12.20	12.70	13.20	0.480	0.500	0.520
B	6.60	7.10	7.60	0.260	0.280	0.299
C	/	/	2.50	/	/	0.098
D	/	8.89	/	/	0.350	/
E	0.05	0.20	0.35	0.002	0.008	0.014
F	/	1.27	/	/	0.050	/
G	/	0.46	/	/	0.018	/
H	8.95	9.45	9.95	0.352	0.372	0.392
I	/	0.76	/	/	0.030	/
J	0°	/	8°	0°	/	8°
X	/	0.76	/	/	0.030	/
Y	/	1.91	/	/	0.075	/
Z	/	10.65	/	/	0.419	/

**SPECIFICATINON**
**Part No. H1651CG**
**B. SCHEMATIC :**

**C. ELECTRICAL SPECIFICATION @25°C**

ITEM	SPECIFICATION	TEST CONDITION	TEST EQUIPMENT
INDUCTANCE :	350uH MIN.	100KHz 0.2V	TH2819XB OR EQU.
LEAKAGE INDUCTANCE :	0.50uH MAX.	100KHz 0.2V	TH2819XB OR EQU.
INTERWINDING CAPACITANCE :	25pF TYP.	100KHz 0.2V	TH2819XB OR EQU.
DC RESISTANCE :	1.2Ω MAX.	AT 25 °C	TOS 8020 OR EQU.
TURNS RATIO :	1CT:1CT±5%		TH2819XB OR EQU.
POLARITY :	1-16,6-11 IN-PHASE		
INSERTION LOSS :	-1.1dB MAX.	0.5-100 MHz	E5061A OR EQU.
RETURN LOSS :	-18dB MIN.	0.5-30 MHz	E5061A OR EQU.
	-18+20*log(f/30)dB MIN.	30.1-60MHz	
	-12dB MIN.	60.1-80MHz	
CROSS TALK :	-35dB MIN.	0.5-40 MHz	E5061A OR EQU.
	-33+20*log(f/50)dB MIN.	40.1-100 MHz	
DCMR :	-30dB Min	0.5-100 MHz	E5061A OR EQU.
CMRR :	-30dB Min	0.5-100 MHz	E5061A OR EQU.
ISOLATION HI-POT :PRI TO SEC	1650VAC	1mA,6S	
OPERATING TEMPERATURE	0°C TO 70°C		

**PACKAGE**
**Part No. H1651CG**
**D. PACKING:**
**a. PACKAGING AS BELOW (ONLY FOR A REFERENCE):**


ITEM	W	A <sub>0</sub>	A <sub>1</sub>	B <sub>0</sub>	K <sub>0</sub>	K <sub>1</sub>	P	F	E	D <sub>0</sub>	D <sub>1</sub>	P <sub>0</sub>	P <sub>2</sub>	T
DIM	24.00 <sup>+0.3</sup> <sub>-0.2</sub>	10.15±0.15	5.50±0.15	13.20±0.15	3.00±0.10	2.60±0.10	16.00±0.10	11.50±0.10	1.75±0.10	Φ1.50 <sup>+0.10</sup> <sub>0</sub>	Φ1.50MIN	4.00±0.10	2.00±0.05	0.30±0.05
ALTERNATE														


**b. Q'TY:**

1400 PCS PER REEL  
 7 REEL PER CARTON  
 9800 PCS PER CARTON

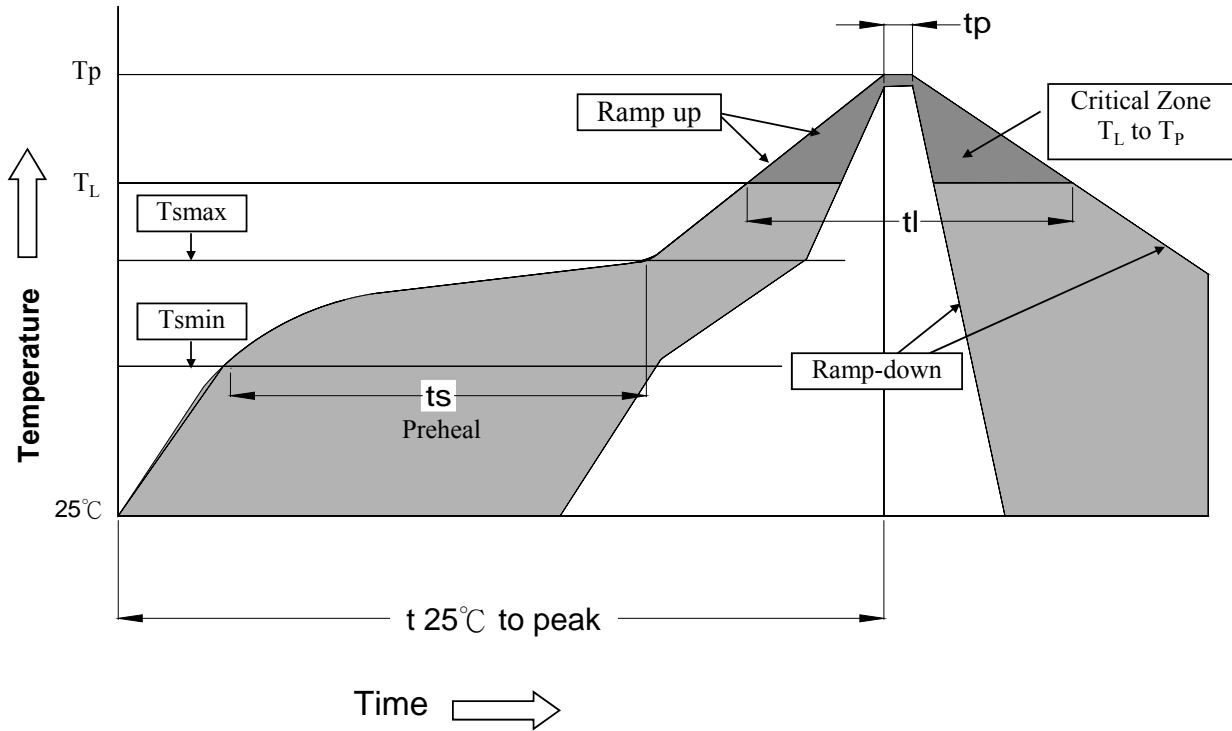
**c. LABEL:**

**REMARK:**

ABOVE PACKING IS FOR YOUR REFERENCE ONLY, WHICH BE CHANGED WITHOUT NOTICE.

**MATERIAL LIST**
**Part No. H1651CG**
**E.BOM**

<b>MATERIAL LIST</b>					
<b>NO.</b>	<b>ITEM</b>	<b>MATERIAL</b>	<b>RATING</b>	<b>SUPPLIER OF MATERIAL</b>	<b>UL</b>
<b>1</b>	<b>CORE</b>	<b>Mn-Zn</b>	-----	<b>YEAN SHING</b>	<b>N/A</b>
			-----	<b>ZHONGSHAN CRC ELECTRONICS FACTORY</b>	<b>N/A</b>
		<b>Ni-Zn</b>	-----	<b>YEAN SHING</b>	<b>N/A</b>
			-----	<b>ZHONGSHAN CRC ELECTRONICS FACTORY</b>	<b>N/A</b>
<b>2</b>	<b>COPPER WIRE</b>	<b>QPN180</b>	<b>180°C</b>	<b>ZHUHAI SUNTEK WIRE CO.,LTD</b>	<b>E234867</b>
		<b>Polysol 180</b>	<b>180°C</b>	<b>ELEKTRISOLA(MALAYSIA) SDN.BHD.</b>	<b>E258243</b>
<b>3</b>	<b>CASE</b>	<b>WH-9100</b>	<b>V-0</b>	<b>WAH HONG INDUSTRIAL CORP</b>	<b>E150608</b>
<b>4</b>	<b>PIN</b>	<b>C5191</b>	-----	<b>SHENZHEN MINGSCHIN INDUSTRIAL MATERIAL CO.,LTD</b>	<b>N/A</b>

**RECOMMENDED REFLOW SOLDERING PROFILE**
**Part No. H1651CG**
**a. RECOMMENDED REFLOW SOLDERING PROFILE:**

 $T_L = 217^\circ\text{C}$ 
 $T_p = 245^\circ\text{C}$ 
 $t_s = 60-180\text{s}$      $T_s \text{ max} = 200^\circ\text{C}$      $T_s \text{ min} = 150^\circ\text{C}$ 
 $t_L = 60-150\text{s}$      $t_p = 20-40\text{s}$      $T_{25^\circ\text{C to peak}} = 8\text{min max}$ 

 Ramp up rate =  $3^\circ\text{C/s max}$ 

 Ramp down rate =  $6^\circ\text{C/s max}$ 

\*RoHS Compliant

\*Solder Paste SAC 305 Sn 96.5/Ag 3.0/Cu 0.5

\*Silkscreen thickness: 0.15mm Min

**b. MOISTURE SENSITIVE LEVEL:**

b.1. LEVEL: 1

b.2. SHELF LIFE: UNLIMITED

 b.3. STORAGE CONDITION:  $\cong 30^\circ\text{C}/85\% \text{ RH}$

## Looking for pricing, stock, or lifecycle information?

Click below to explore more details on WIN SOURCE:

- [View H1651CG on WIN SOURCE](#)
- [Mentech Technology USA Inc. Information](#)

## Optimize Your Supply Chain with WIN SOURCE Solutions

- ✓ Global Sourcing Solution
- ✓ Obsolete Management
- ✓ Cost Control Management
- ✓ Shortage Management
- ✓ Alternative Solution
- ✓ Excess Inventory Management