




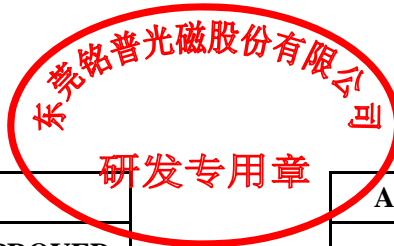
# THE DATASHEET OF H1604CG



## Product Specification for Approval

WE ARE PLEASED IN SUBMITTING OUR SAMPLES WITH SPECIFICATION TO YOU FOR APPROVAL.

CUSTOMER	:		
DESCRIPTION	:	<b>10/100 BASE-T TRANSFORMER</b>	
MNC P/N	:	<b>H1604CG</b>	
VERSION	:	<b>A0</b>	
CUSTOMER P/N	:		
ISSUED DATE	:	<b>2020/04/27</b>	
PHOTO OF PRODUCT	:		
WEIGHT	:		<b>0.72g</b>
MADE IN	:		<b>CHINA</b>



APPROVED BY MNC			APPROVED BY CUSTOMER
PREPARED BY	CHECKED BY	APPROVED BY	SIGNATURE OR STAMP
			

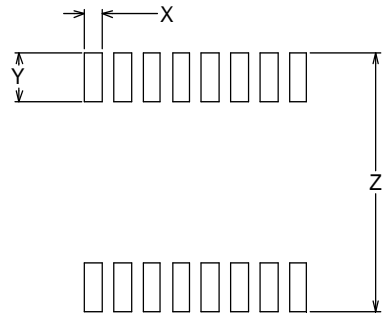
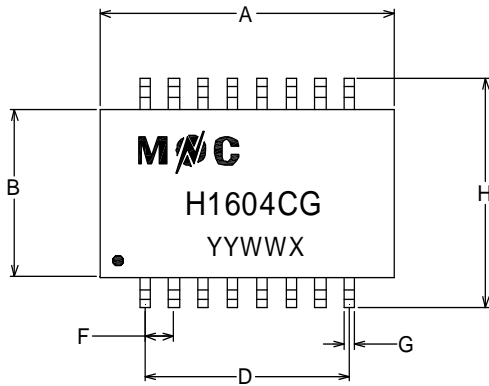
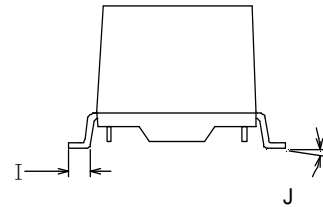
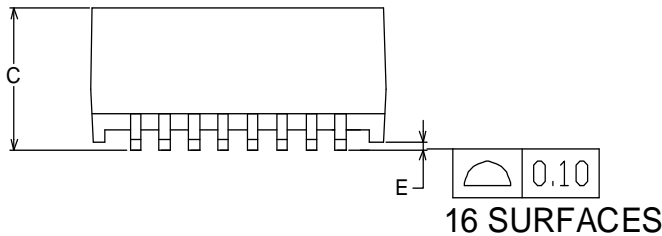
1. PLEASE SEND BACK US A COPY OF THE SPECIFICATION WITH YOUR STAMP OR SIGNATURE ONCE THE SAMPLES APPROVED.
2. IT WILL BE DEEMED THE SAMPLES TO BE APPROVED IF NO FEEDBACK.

东莞铭普光磁股份有限公司  
 Add: Shipai Town, Dongguan City, Guangdong Province, China

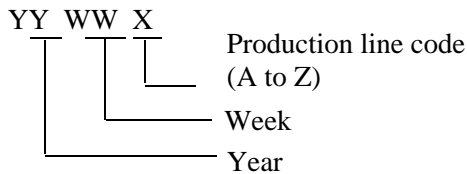
TEL: +86-769-86921000

FAX: +86-769-81701563



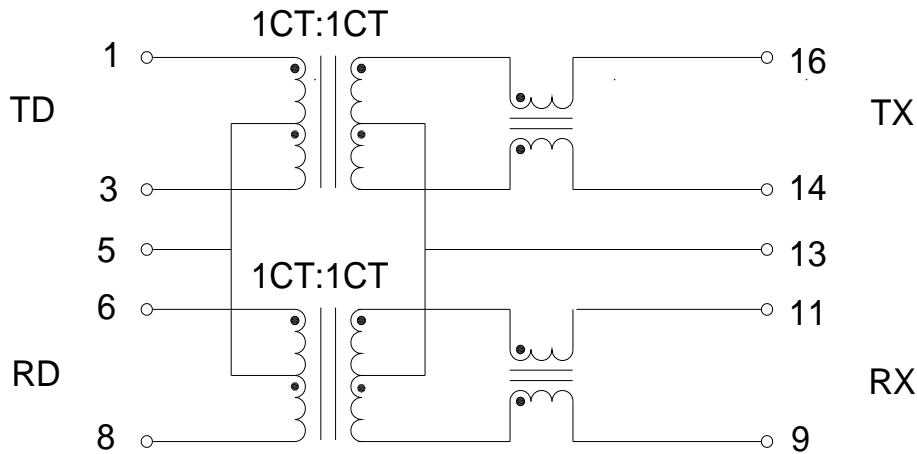
**SPECIFICATION**
**Part No. H1604CG**
**A. MECHANICAL :**

**SUGGESTED PAD LAYOUT**


Note: Laser printing marking

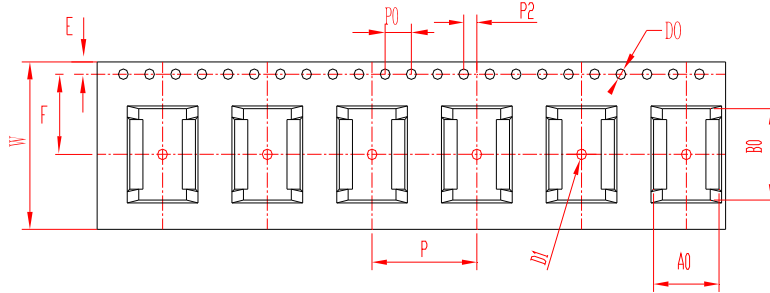


1. UNITS: mm/inch.
2. UNLESS OTHERWISE SPECIFIED ALL TOLERANCES ARE: TYPICAL
3. PIN LENGTH DON'T INCLUDE SOLDER POINT

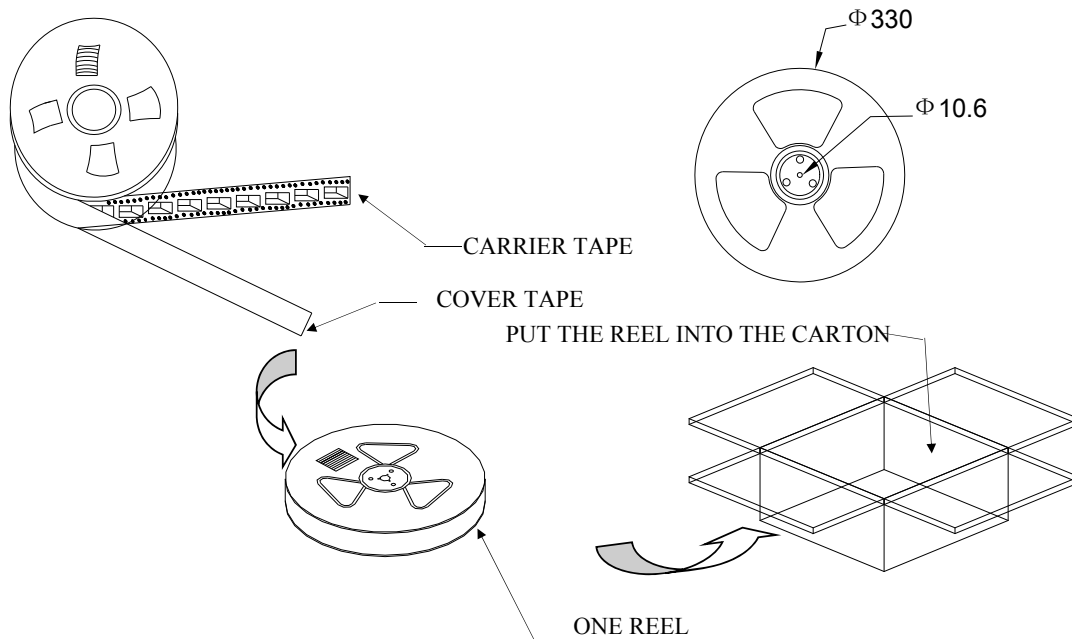
DIM	MILLIMETERS			INCHES		
	MIN	NOM	MAX	MIN	NOM	MAX
A	12.20	12.70	13.20	0.480	0.500	0.520
B	6.60	7.10	7.60	0.260	0.280	0.299
C	/	/	6.40	/	/	0.252
D	/	8.89	/	/	0.350	/
E	0.15	0.30	0.45	0.006	0.012	0.018
F	/	1.27	/	/	0.050	/
G	/	0.46	/	/	0.018	/
H	8.90	9.40	9.90	0.350	0.370	0.390
I	/	0.70	/	/	0.028	/
J	0°	/	8°	0°	/	8°
X	/	0.76	/	/	0.030	/
Y	/	2.03	/	/	0.080	/
Z	/	10.65	/	/	0.419	/

**B. SCHEMATIC :**

**C. ELECTRICAL SPECIFICATION @25°C**

ITEM	SPECIFICATION	TEST CONDITION	TEST EQUIPMENT
INDUCTANCE :	350uH MIN.	100KHz 0.2V 8mA DC Bias	TH2819XB OR EQU.
LEAKAGE INDUCTANCE :	0.50uH MAX.	100KHz 0.2V	TH2819XB OR EQU.
INTERWINDING CAPACITANCE :	50pF TYP.	100KHz 0.2V	TH2819XB OR EQU.
DC RESISTANCE :	0.9Ω MAX.	AT 25 °C	TOS 8020 OR EQU.
TURNS RATIO :	1CT:1CT±5%		TH2819XB OR EQU.
POLARITY :	1-16,6-11 IN-PHASE		
INSERTION LOSS :	-1.1dB MAX.	0.5-100 MHz	E5061A OR EQU.
RETURN LOSS :	-18dB MIN.	0.5-30 MHz	E5061A OR EQU.
	-18+20*log(f/30)dB MIN.	30.1-60 MHz	
	-12dB MIN.	60.1-80 MHz	
CROSS TALK :	-35dB MIN.	0.5-40 MHz	E5061A OR EQU.
	-33+20*log(f/50)dB MIN.	40.1-100 MHz	
CMRR :	-30dB MIN.	0.5-100MHz	E5061A OR EQU.
ISOLATION HI-POT :PRI TO SEC	1500VAC	1mA,60S	7152AB OR EQU.
OPERATING TEMPERATURE	0°C TO 70°C		

**PACKAGE**
**Part No. H1604CG**
**D. PACKING:**
**a. PACKAGING AS BELOW (ONLY FOR A REFERENCE):**


ITEM	W	A <sub>0</sub>	B <sub>0</sub>	K <sub>0</sub>	K <sub>1</sub>	P	F	E	D <sub>0</sub>	D <sub>1</sub>	P <sub>0</sub>	P <sub>2</sub>	T
DIM	24.0 <sup>+0.30</sup> <sub>-0.30</sub>	10.0 <sup>+0.10</sup> <sub>-0.10</sub>	13.10 <sup>+0.10</sup> <sub>-0.10</sub>	5.60 <sup>+0.10</sup> <sub>-0.10</sub>	5.10 <sup>+0.10</sup> <sub>-0.10</sub>	16.0 <sup>+0.10</sup> <sub>-0.10</sub>	11.50 <sup>+0.15</sup> <sub>-0.15</sub>	1.75 <sup>+0.10</sup> <sub>-0.10</sub>	1.50 <sup>+0.10</sup> <sub>-0.10</sub>	1.50 <sup>+0.10</sup> <sub>-0.10</sub>	4.00 <sup>+0.10</sup> <sub>-0.10</sub>	2.00 <sup>+0.10</sup> <sub>-0.10</sub>	0.40 <sup>+0.05</sup> <sub>-0.05</sub>
ALTRNATE													


**b. Q'TY:**

600 PCS PER REEL  
 8 REELS PER CARTON  
 4800 PCS PER CARTON

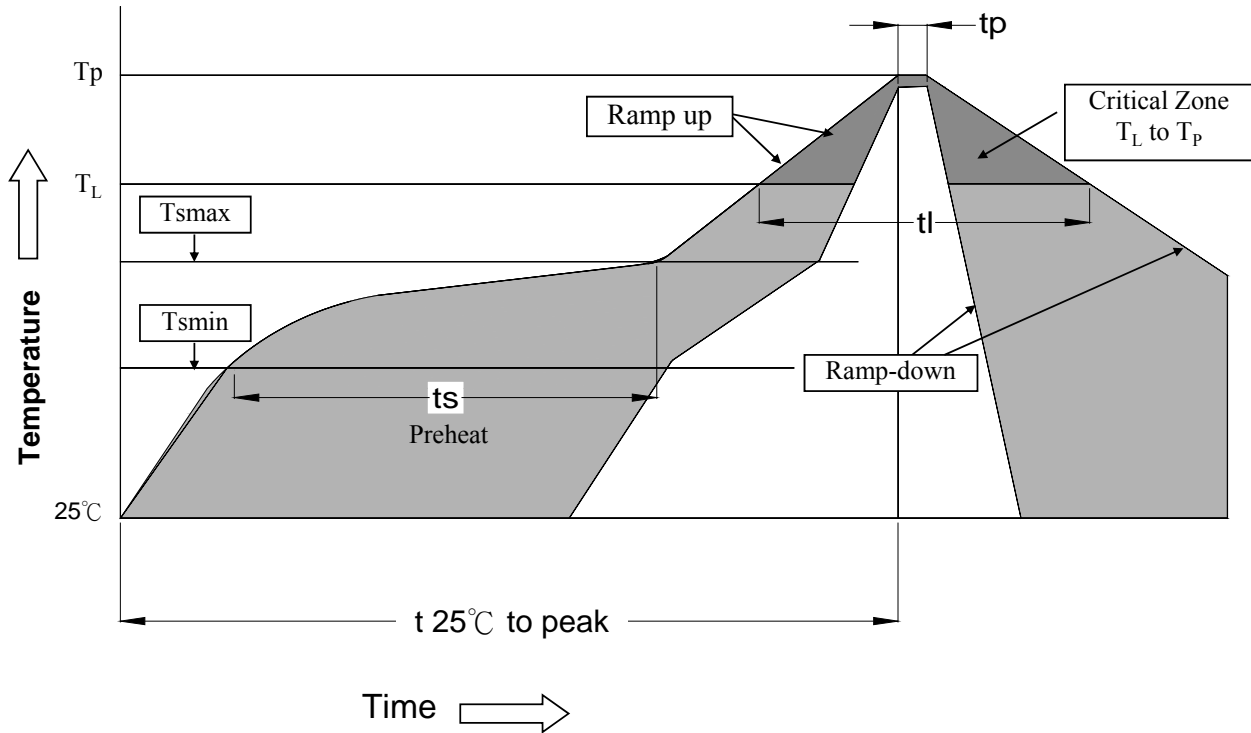
**c. LABEL:**

**REMARK:**

ABOVE PACKING IS FOR YOUR REFERENCE ONLY, WHICH MIGHT BE CHANGED WITHOUT NOTICE.

**E.BOM**

<b>MATERIAL LIST</b>					
<b>NO.</b>	<b>ITEM</b>	<b>MATERIAL</b>	<b>RATING</b>	<b>SUPPLIER OF MATERIAL</b>	<b>UL</b>
<b>1</b>	<b>CORE</b>	<b>Mn-Zn</b>	<b>-----</b>	<b>YEAN SHING</b>	<b>N/A</b>
				<b>ZHONGSHAN CRC ELECTRONICS FACTORY</b>	
		<b>Ni-Zn</b>	<b>-----</b>	<b>YEAN SHING</b>	<b>N/A</b>
				<b>ZHONGSHAN CRC ELECTRONICS FACTORY</b>	
<b>2</b>	<b>COPPER WIRE</b>	<b>QPN180</b>	<b>180℃</b>	<b>ZHUHAI SUNTEK WIRE CO.,LTD</b>	<b>E234867</b>
		<b>Polysol 180</b>	<b>180℃</b>	<b>ELEKTRISOLA(MALAYSIA)SDN. BHD.</b>	<b>E258243</b>
<b>3</b>	<b>CASE</b>	<b>WH-9100</b>	<b>V-0</b>	<b>WAH HONG INDUSTRIAL CORP</b>	<b>E150608</b>
<b>4</b>	<b>PIN</b>	<b>C5191</b>	<b>-----</b>	<b>SHENZHEN MINGSCHIN INDUSTRIAL MATERIAL CO.,LTD</b>	<b>N/A</b>

**a. RECOMMENDED REFLOW SOLDERING PROFILE:**


$T_L = 217^\circ\text{C}$

$T_p = 245^\circ\text{C}$

$t_s = 60-180\text{s} \quad T_s \text{ max} = 200^\circ\text{C} \quad T_s \text{ min} = 150^\circ\text{C}$

$t_L = 60-150\text{s} \quad t_p = 20-40\text{s} \quad T_{25^\circ\text{C to peak}} = 8\text{min max}$

Ramp up rate =  $3^\circ\text{C/s max}$

Ramp down rate =  $6^\circ\text{C/s max}$

\*RoHS Compliant

\*Solder Paste SAC 305 Sn 96.5/Ag 3.0/Cu 0.5

\*Silkscreen thickness: 0.15mm Min

**b. MOISTURE SENSITIVE LEVEL:**

b.1. LEVEL: 1

b.2. SHELF LIFE: UNLIMITED

b.3. STORAGE CONDITION:  $\cong 30^\circ\text{C}/85\% \text{ RH}$

## Looking for pricing, stock, or lifecycle information?

Click below to explore more details on WIN SOURCE:

- [⊖ View H1604CG on WIN SOURCE](#)
- [⊖ Mentech Technology USA Inc. Information](#)

## Optimize Your Supply Chain with WIN SOURCE Solutions

- ✓ Global Sourcing Solution
- ✓ Obsolete Management
- ✓ Cost Control Management
- ✓ Shortage Management
- ✓ Alternative Solution
- ✓ Excess Inventory Management