



# THE DATASHEET OF G5002CG





# 10/100/1000 BASE-T DUAL PORT SURFACE MOUNT MAGNETICS

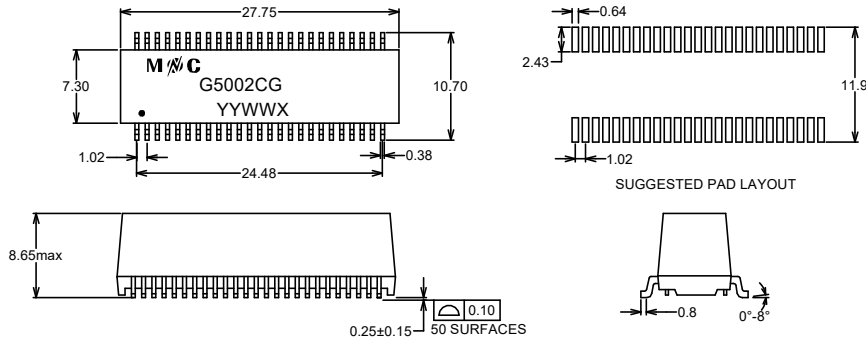
- Meets IEEE 802.3ab Standards.
- RoHS Compliant.
- 10/100/1000 Base-T, Surface Mount Type, Open Header.
- Operating temperature range: 0°C to +70°C
- 350mA Current Capability Per POE Port / Two-pair.



## Electrical Specifications @25°C

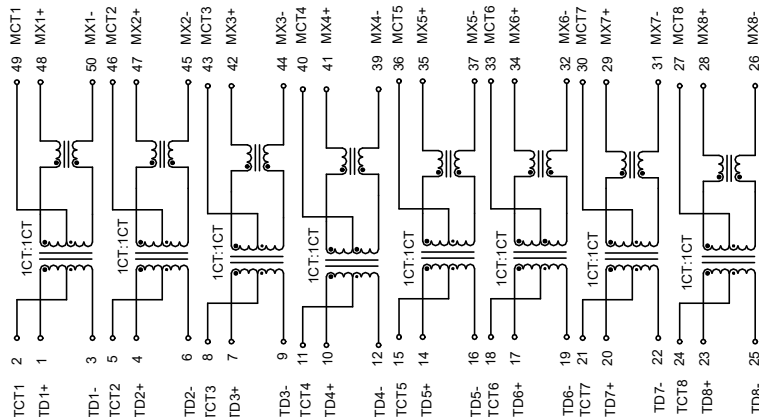
Part Number	OCL(uH Min) @100KHz,0.2V With 8mA DC Bias	Turns Ratio (±5%)	Insertion Loss (dB Max)		Return Loss (dB Min)		Cross talk (dB Min)		CMRR (dB Min) 0.5-100MHz	HI-POT (Vrms)
			0.5-100MHz	0.5-40MHz	40.1-100MHz	0.5-40MHz	40.1-100MHz			
G5002CG	350	1CT:1CT	-1.1	-18	12+20*log(f/80)	-35	-33+20*log(f/50)	-30	1500	

## MECHANICAL



Unless otherwise specified all tolerances are:±0.25 in mm



## SCHEMATICS



PAN SIZE: 450PCS/REEL  
UNIT WEIGHT: 2.53g

## Looking for pricing, stock, or lifecycle information?

Click below to explore more details on WIN SOURCE:

-  [View G5002CG on WIN SOURCE](#)
-  [Mentech Technology USA Inc. Information](#)

## Optimize Your Supply Chain with WIN SOURCE Solutions

-  Global Sourcing Solution
-  Obsolete Management
-  Cost Control Management
-  Shortage Management
-  Alternative Solution
-  Excess Inventory Management