



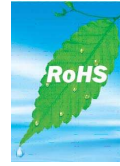
THE DATASHEET OF G2401CG





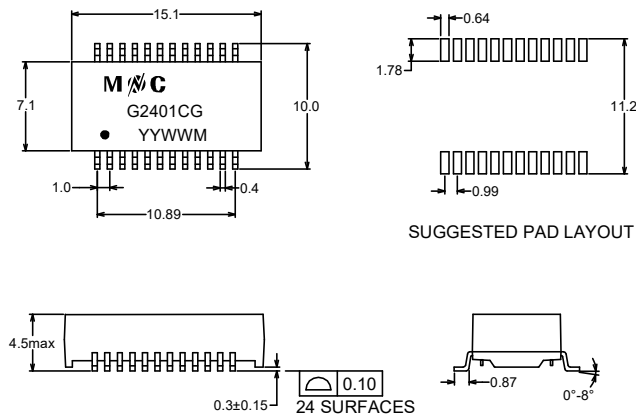
10/100/1000 BASE-T SINGLE PORT SURFACE MOUNT MAGNETICS

- Meets IEEE 802.3ab Standards.
- RoHS Compliant.
- 10/100/1000 Base-T, Surface Mount Type, Open Header .
- Operating temperature range: 0°C to +70°C.



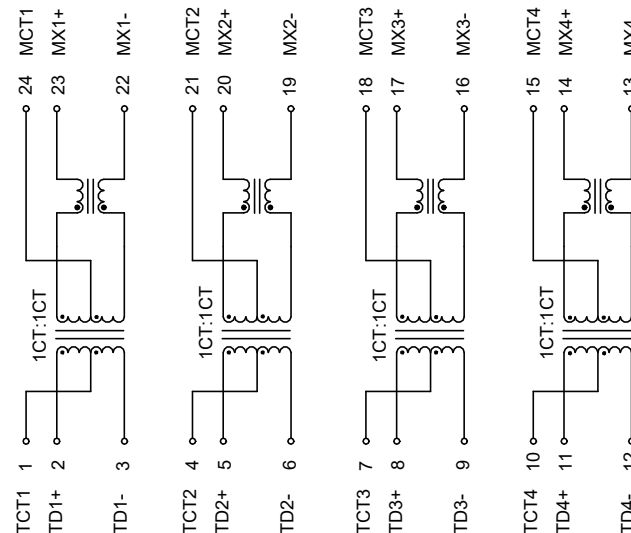
| Electrical Specifications @25°C | | | | | | | | | |
|---------------------------------|-----------------------------|----------------------|----------------------------|-------------------------|------------------|------------------------|------------------|------------------|------------------|
| Part Number | OCL(uH Min) @100KHz,0.2V | Turns Ratio (±5%) | Insertion Loss (dB Max) | Return Loss (dB Min) | | Cross talk (dB Min) | | CMRR (dB Min) | HI-POT (Vrms) |
| | With 8mA DC Bias | | | 0.5-100MHz | 0.5-40MHz | 40.1-100MHz | 0.5-40MHz | | |
| G2401CG | 350 | 1CT:1CT | -1.1 | -18 | -12+20*log(f/80) | -35 | -33+20*log(f/50) | -30 | 1500 |

MECHANICAL



Unless otherwise specified all tolerances are:±0.25 in mm



SCHEMATICS



PAN SIZE: 850PCS/REEL
UNIT WEIGHT: 0.74g

Looking for pricing, stock, or lifecycle information?

Click below to explore more details on WIN SOURCE:

-  [View G2401CG on WIN SOURCE](#)
-  [Mentech Technology USA Inc. Information](#)

Optimize Your Supply Chain with WIN SOURCE Solutions

-  Global Sourcing Solution
-  Obsolete Management
-  Cost Control Management
-  Shortage Management
-  Alternative Solution
-  Excess Inventory Management