



**THE DATASHEET OF
G1811DG**

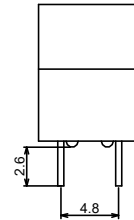
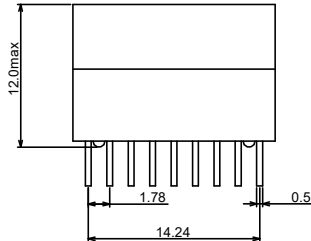
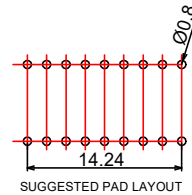


- Meets IEEE 802.3ab Standards.
- RoHS Compliant.
- 10/100/1000 Base-T, Through-Hole Type.
- Operating temperature range: 0°C to +70°C.



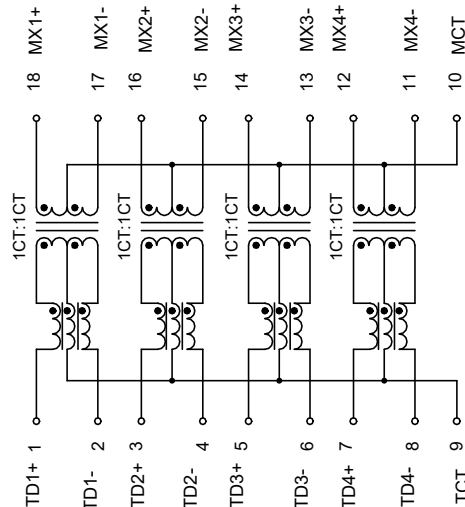
Electrical Specifications @25°C										
Part Number	OCL(uH MIN) @100KHz/0.2V With 8mA DC Bias	Turns Ratio (±5%)	Insertion Loss (dB max)	Return Loss (dB min)			Cross talk (dB min)		CMRR (dB min)	HI-POT (Vrms)
	0.5-100MHz		0.5-40MHz	40.1-100MHz	0.5-40MHz	40.1-100MHz	0.5-100MHz			
G1811DG	350	1CT:1CT	-1.1	-18	-12+20*log(f/80)	-35	-33+20*log(f/50)	-30	1500	

MECHANICAL



Unless otherwise specified all tolerances are:±0.25 in mm



SCHEMATICS



PAN SIZE: 1200PCS/REEL
UNIT WEIGHT: 0.35g

Looking for pricing, stock, or lifecycle information?

Click below to explore more details on WIN SOURCE:

-  [View G1811DG on WIN SOURCE](#)
-  [Mentech Technology USA Inc. Information](#)

Optimize Your Supply Chain with WIN SOURCE Solutions

-  Global Sourcing Solution
-  Obsolete Management
-  Cost Control Management
-  Shortage Management
-  Alternative Solution
-  Excess Inventory Management