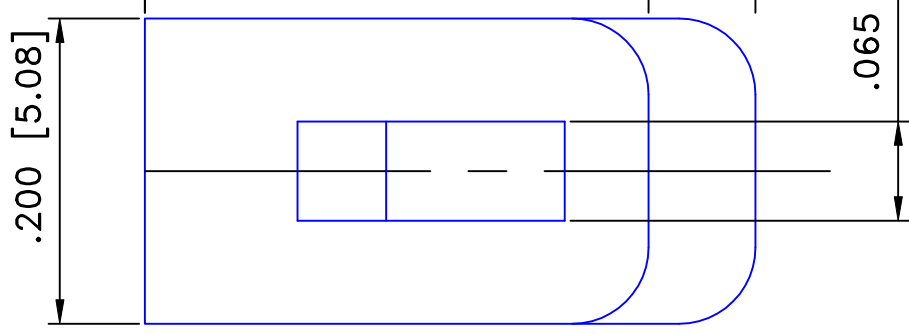
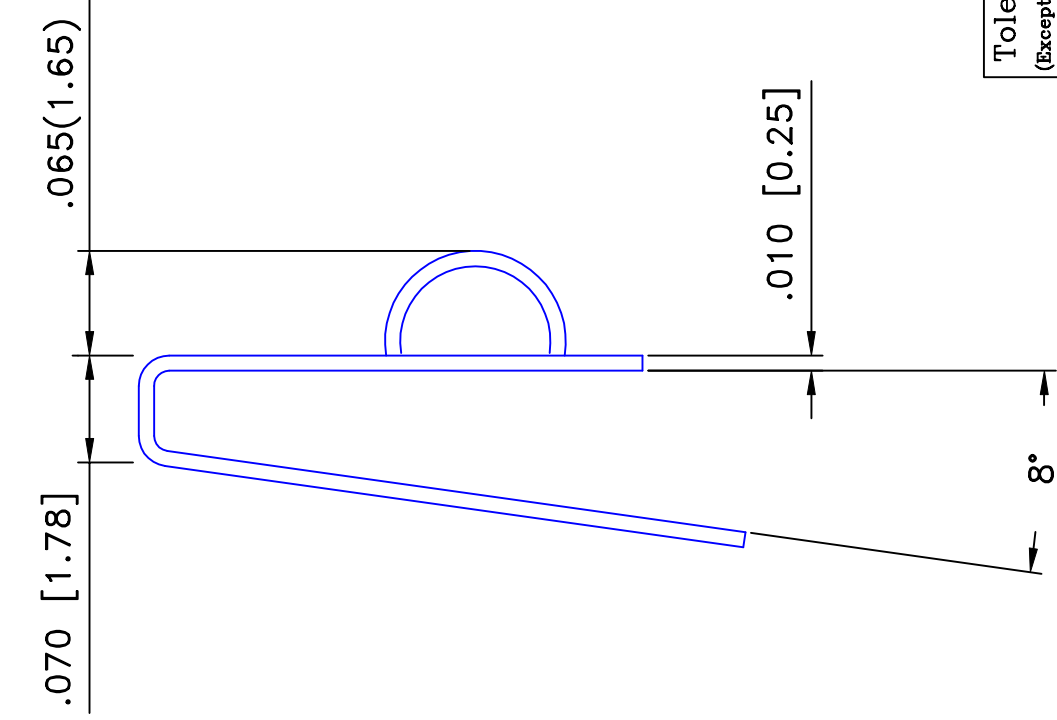




# THE DATASHEET OF F04



Date	SYM



**MATERIAL:**



**.010" SPRING STEEL, NICKEL PLATED**

Tolerance (Except as noted)	Memory prot 200 Broad Hollow R
decimal	
$\pm .5$ (.020)	
Fractional	
$\pm .8$ (.030)	Title BATTERY CLIP
Angular	Drawing N
$\pm 3^\circ$	Date 3/24/01



## Looking for pricing, stock, or lifecycle information?

Click below to explore more details on WIN SOURCE:

-  [View F04 on WIN SOURCE](#)
-  [MPD \(Memory Protection Devices\) Information](#)

## Optimize Your Supply Chain with WIN SOURCE Solutions

-  Global Sourcing Solution
-  Obsolete Management
-  Cost Control Management
-  Shortage Management
-  Alternative Solution
-  Excess Inventory Management