



**THE DATASHEET OF  
EVM-7JSX30BE2**



### 3 mm Square SMT Trimmer Potentiometers (Cermet, Sealed Type)

Type: **EVM7J**  
**EVM7L**



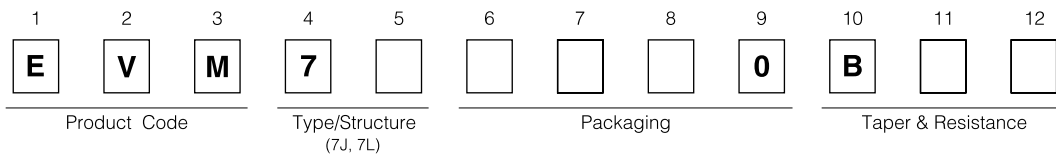
#### ■ Features

- 3 mm square types for flow and reflow soldering
- Cost saving filmless sealed structure
- Automatic adjustment type (EVM7L)
- Approved under the ISO 9001 system
- Conforms to JIS C5261

#### ■ Recommended Applications

- Audio Visual equipment, Office Automation equipment, Communication equipment
- Other general electronic equipment

#### ■ Explanation of Part Numbers



#### ■ Major Specifications

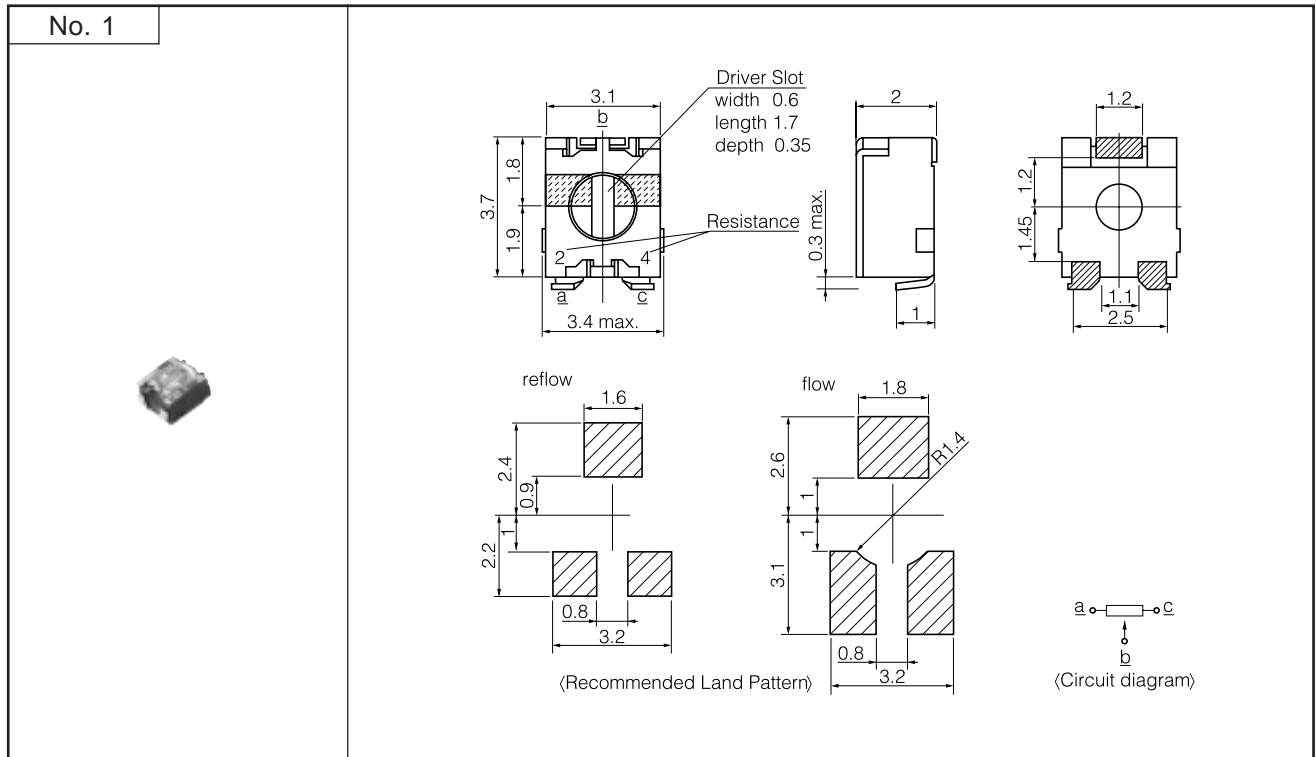
|                                       |                             |
|---------------------------------------|-----------------------------|
| Total Resistance Value                | 100 Ω to 1 MΩ               |
| Resistance Tolerance                  | ±25 %                       |
| Power Rating                          | 0.05 W                      |
| Maximum Operating Voltage             | 15 V                        |
| Rotation Torque                       | 1 to 15 mN·m                |
| Temperature Coefficient of Resistance | ±250 × 10 <sup>-6</sup> /°C |

#### ■ Minimum Quantity/Packing Unit

| Part Number | Taping            |                    |                   | Bulk              |                    |
|-------------|-------------------|--------------------|-------------------|-------------------|--------------------|
|             | Quantity per reel | Packaging quantity | Dia. of reel (mm) | Quantity per pack | Packaging quantity |
| EVM7J       | 1000              | 4000               | φ178              | 1000              | 5000               |
|             | 5000              | 20000              | φ380              |                   |                    |
| EVM7L       | 750               | 3000               | φ178              |                   |                    |
|             | 4000              | 16000              | φ380              |                   |                    |

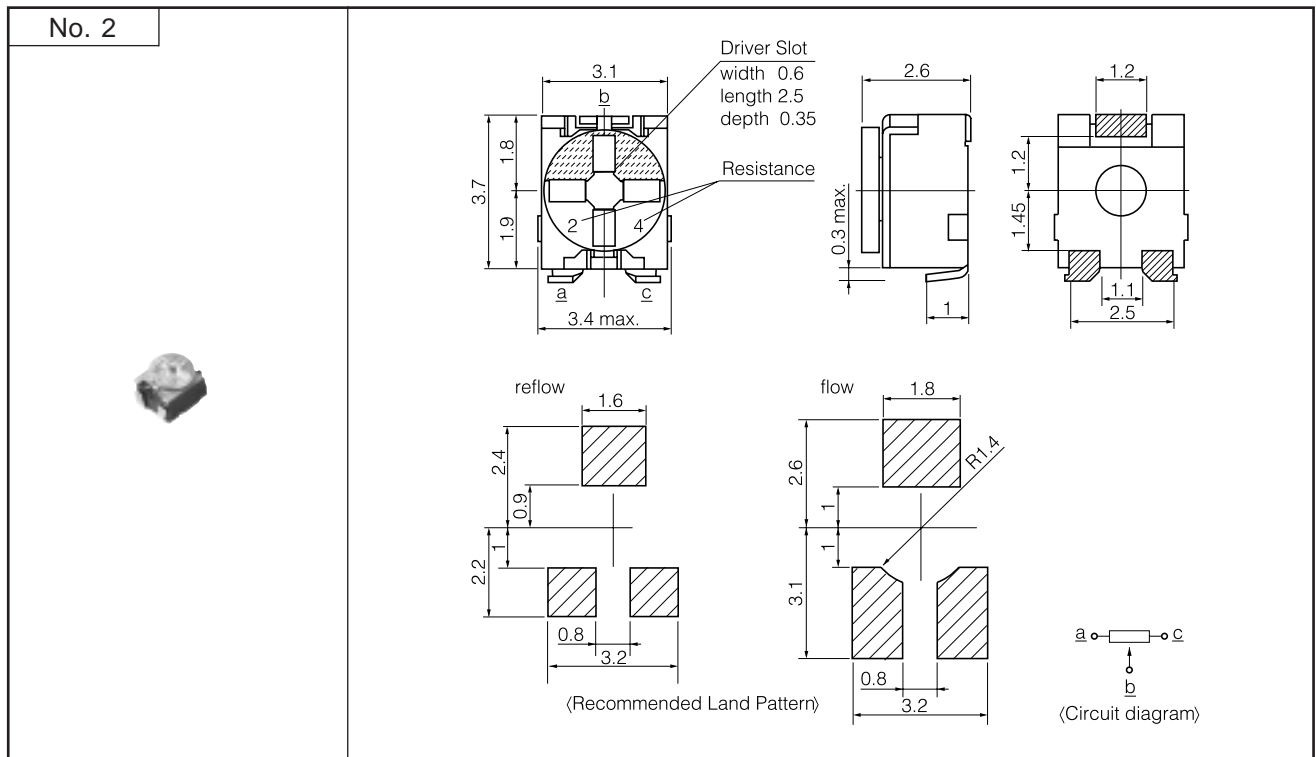
■ Dimensions in mm (not to scale)

● 3-terminal, Filmless Sealed ..... EVM7J



Note: Mounting not possible after trimming knob has been rotated.

● 3-terminal, Filmless Sealed for Automatic Trimming Adjustment ..... EVM7L





Note: Mounting not possible after trimming knob has been rotated.



## Looking for pricing, stock, or lifecycle information?

Click below to explore more details on WIN SOURCE:

-  [View EVM-7JSX30BE2 on WIN SOURCE](#)
-  [Panasonic Information](#)

## Optimize Your Supply Chain with WIN SOURCE Solutions

-  Global Sourcing Solution
-  Obsolete Management
-  Cost Control Management
-  Shortage Management
-  Alternative Solution
-  Excess Inventory Management