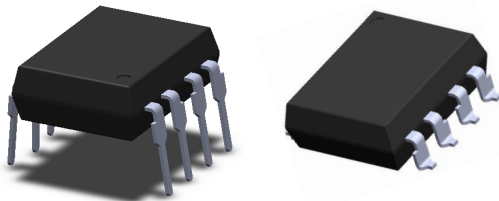




**THE DATASHEET OF  
ELW137S(TA)-V**



## 8 PIN DIP WIDE BODY HIGH SPEED 10MBit/s LOGIC GATE PHOTOCOUPLER ELW137 ELW26XX Series



### Features

- High speed 10Mbit/s
- Guaranteed performance from -40 to 85°C
- Logic gate output
- High isolation voltage between input and output (Viso=5000 V rms )
- Pb free and RoHS compliant.
- UL approved (No. 214129)
- VDE approved (No. 40028391)
- SEMKO approved
- NEMKO approved
- DEMKO approved
- FIMKO approved

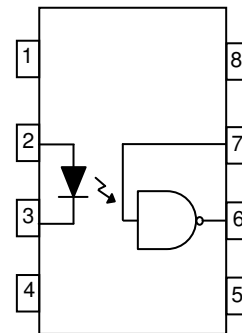
### Description

The ELW137, ELW2601 and ELW2611 consists of an infrared emitting diode optically coupled to a high speed integrated photo detector logic gate with a strobable output. It is packaged in a 8-pin wide body package and available SMD options.

### Applications

- Ground loop elimination
- LSTTL to TTL, LSTTL or 5 volt CMOS
- Line receiver, data transmission
- Data multiplexing
- Switching power supplies
- Pulse transformer replacement
- Computer peripheral interface
- High speed logic ground isolation

Schematic



A 0.1μF bypass capacitor must be connected between pins 8 and 5 \*3

### Pin Configuration

- 1, No Connection
- 2, Anode
- 3, Cathode
- 4, No Connection
- 5, Gnd
- 6, Vout
- 7, V<sub>E</sub>
- 8, V<sub>CC</sub>

### Truth Table (Positive Logic)

Input	Enable	Output
H	H	L
L	H	H
H	L	H
L	L	H
H	NC	L
L	NC	H

**Absolute Maximum Ratings (T<sub>A</sub>=25°C)**

	Parameter	Symbol	Rating	Unit
Input	Forward current	I <sub>F</sub>	50	mA
	Enable input voltage Not exceed V <sub>CC</sub> by more than 500mV	V <sub>E</sub>	5.5	V
	Reverse voltage	V <sub>R</sub>	5	V
	Power dissipation	P <sub>D</sub>	100	mW
Output	Power dissipation	P <sub>C</sub>	85	mW
	Output current	I <sub>O</sub>	50	mA
	Output voltage	V <sub>O</sub>	7.0	V
	Supply voltage	V <sub>CC</sub>	7.0	V
	Output Power Dissipation	P <sub>O</sub>	100	mW
	Isolation voltage *1	V <sub>ISO</sub>	5000	V rms
	Operating temperature	T <sub>OPR</sub>	-40 ~ +85	°C
	Storage temperature	T <sub>STG</sub>	-55 ~ +125	°C
	Soldering temperature *2	T <sub>SOL</sub>	260	°C

Notes:  
 \*1 AC for 1 minute, R.H.= 40 ~ 60% R.H. In this test, pins 1, 2, 3 & 4 are shorted together, and pins 5, 6, 7 & 8 are shorted together.  
 \*2 For 10 seconds.

**Electrical Characteristics (T<sub>A</sub>=-40 to 85°C unless specified otherwise)**

Input

Parameter	Symbol	Min.	Typ.	Max.	Unit	Condition
Forward voltage	V <sub>F</sub>	-	1.4	1.8	V	I <sub>F</sub> = 10mA
Reverse voltage	V <sub>R</sub>	5.0	-	-	V	I <sub>R</sub> = 100μA, T <sub>A</sub> =25°C
Temperature coefficient of forward voltage	ΔV <sub>F</sub> /ΔT <sub>A</sub>	-	-1.9	-	mV/°C	I <sub>F</sub> =10mA
Input capacitance	C <sub>IN</sub>	-	70	-	pF	V <sub>F</sub> =0, f=1MHz

Output

Parameter	Symbol	Min.	Typ.	Max.	Unit	Condition
High level supply current	I <sub>CCH</sub>	-	6.5	10	mA	I <sub>F</sub> =0mA, V <sub>E</sub> =0.5V, V <sub>CC</sub> =5.5V
Low level supply current	I <sub>CCL</sub>	-	8	13	mA	I <sub>F</sub> =10mA, V <sub>E</sub> =0.5V, V <sub>CC</sub> =5.5V
High level enable current	I <sub>EH</sub>	-	- 0.6	-1.6	mA	V <sub>E</sub> =2.0V, V <sub>CC</sub> =5.5V
Low level enable current	I <sub>EL</sub>	-	- 0.8	-1.6	mA	V <sub>E</sub> =0.5V, V <sub>CC</sub> =5.5V
High level enable voltage	V <sub>EH</sub>	2.0	-	-	V	I <sub>F</sub> =10mA, V <sub>CC</sub> =5.5V
Low level enable voltage <sup>*4</sup>	V <sub>EL</sub>	-	-	0.8	V	I <sub>F</sub> =10mA, V <sub>CC</sub> =5.5V

**Transfer Characteristics (T<sub>A</sub>=-40 to 85°C unless specified otherwise)**

Parameter	Symbol	Min	Typ.	Max.	Unit	Condition
High level output current	I <sub>OH</sub>	-	2.1	100	μA	V <sub>CC</sub> =5.5V, V <sub>O</sub> =5.5V, I <sub>F</sub> =250μA, V <sub>E</sub> =2.0V
Low level output voltage	V <sub>OL</sub>	-	0.35	0.6	V	V <sub>CC</sub> = 5.5V, I <sub>F</sub> =5mA, V <sub>E</sub> =2.0V, I <sub>OL</sub> (Sinking)=13mA
Input threshold current	I <sub>FT</sub>	-	3.0	5	mA	V <sub>CC</sub> = 5.5V, V <sub>O</sub> =0.6V, V <sub>E</sub> =2.0V, I <sub>OL</sub> (Sinking)=13mA

**Switching Characteristics (T<sub>A</sub>=-40 to 85°C, V<sub>CC</sub>=5V, I<sub>F</sub>=7.5mA unless specified otherwise)**

Parameter	Symbol	Min	Typ.	Max.	Unit	Condition
Propagation delay time to output High level* <sup>5</sup> (Fig.12)	T <sub>PHL</sub>	-	35	100	ns	C <sub>L</sub> = 15pF, R <sub>L</sub> =350Ω, T <sub>A</sub> =25°C
Propagation delay time to output Low level* <sup>6</sup> (Fig.12)	T <sub>PLH</sub>	-	40	100	ns	C <sub>L</sub> = 15pF, R <sub>L</sub> =350Ω, T <sub>A</sub> =25°C
Pulse width distortion	T <sub>PHL</sub> - T <sub>PLH</sub>	-	5	40	ns	C <sub>L</sub> = 15pF, R <sub>L</sub> =350Ω
Output rise time* <sup>7</sup> (Fig.12)	tr	-	40	-	ns	C <sub>L</sub> = 15pF, R <sub>L</sub> =350Ω
Output fall time* <sup>8</sup> (Fig.12)	tf	-	10	-	ns	C <sub>L</sub> = 15pF, R <sub>L</sub> =350Ω

**Switching Characteristics (T<sub>A</sub>=-40 to 85°C, V<sub>CC</sub>=5V, I<sub>F</sub>=7.5mA unless specified otherwise)**

Parameter	Symbol	Min	Typ.	Max.	Unit	Condition
Enable Propagation Delay Time to Output High Level* <sup>9</sup> (Fig.13)	t <sub>ELH</sub>	-	15	-	ns	I <sub>F</sub> = 7.5mA, V <sub>EH</sub> =3.5V, C <sub>L</sub> = 15pF, R <sub>L</sub> =350Ω
Enable Propagation Delay Time to Output Low Level* <sup>10</sup> (Fig.13)	t <sub>EHL</sub>	-	15	-	ns	I <sub>F</sub> = 7.5mA, V <sub>EH</sub> =3.5V, C <sub>L</sub> = 15pF, R <sub>L</sub> =350Ω
Common Mode Transient Immunity at Logic High <sup>11</sup>	ELW137	-	-	-	V/μS	I <sub>F</sub> = 7.5mA, V <sub>OH</sub> =2.0V, R <sub>L</sub> =350Ω, T <sub>A</sub> =25°C, V <sub>CM</sub> =10Vp-p (Fig.14)
	ELW2601	5,000	-	-		I <sub>F</sub> = 7.5mA, V <sub>OH</sub> =2.0V, R <sub>L</sub> =350Ω, T <sub>A</sub> =25°C, V <sub>CM</sub> =50Vp-p (Fig.14)
	ELW2611	10,000	-	-		I <sub>F</sub> = 7.5mA, V <sub>OH</sub> =2.0V, R <sub>L</sub> =350Ω, T <sub>A</sub> =25°C, V <sub>CM</sub> =400Vp-p (Fig.14)
	ELW2611	20,000	-	-		I <sub>F</sub> = 7.5mA, V <sub>OH</sub> =2.0V, R <sub>L</sub> =350Ω, T <sub>A</sub> =25°C, V <sub>CM</sub> =400Vp-p (Fig.15)
Common Mode Transient Immunity at Logic Low <sup>12</sup>	ELW137	-	-	-	V/μS	I <sub>F</sub> = 0mA, V <sub>OL</sub> =0.8V, R <sub>L</sub> =350Ω, T <sub>A</sub> =25°C, V <sub>CM</sub> =10Vp-p (Fig.14)
	ELW2601	5,000	-	-		I <sub>F</sub> = 0mA, V <sub>OL</sub> =0.8V, R <sub>L</sub> =350Ω, T <sub>A</sub> =25°C, V <sub>CM</sub> =50Vp-p (Fig.14)
	ELW2611	10,000	-	-		I <sub>F</sub> = 0mA, V <sub>OL</sub> =0.8V, R <sub>L</sub> =350Ω, T <sub>A</sub> =25°C, V <sub>CM</sub> =400Vp-p (Fig.14)
	ELW2611	20,000	-	-		I <sub>F</sub> = 7.5mA, V <sub>OH</sub> =2.0V, R <sub>L</sub> =350Ω, T <sub>A</sub> =25°C, V <sub>CM</sub> =400Vp-p (Fig.15)

Typical Electro-Optical Characteristics Curves

Figure 1. Forward Current vs Forward Voltage

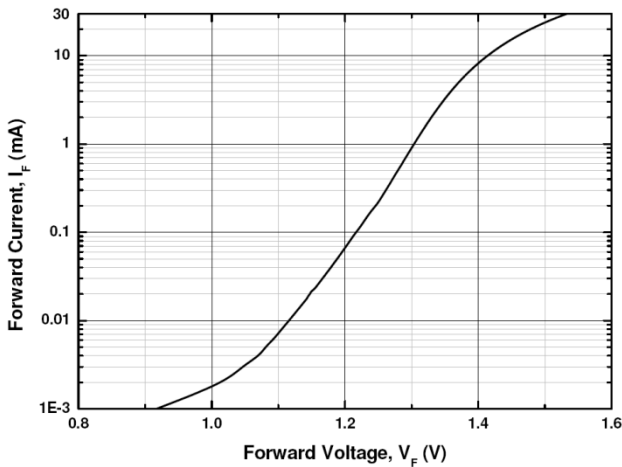


Figure 2. Low Level Output Voltage vs Ambient Temperature

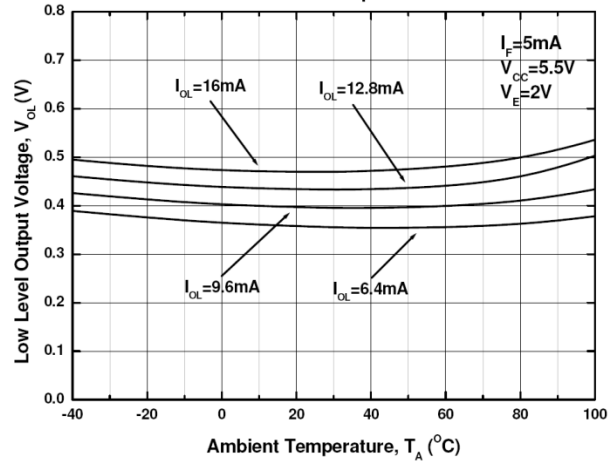


Figure 3. Low Level Output Current vs Ambient Temperature

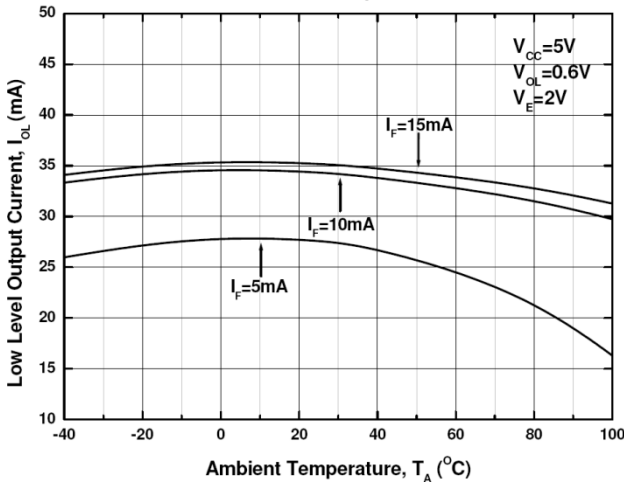


Figure 4. Input Threshold Current vs Ambient Temperature

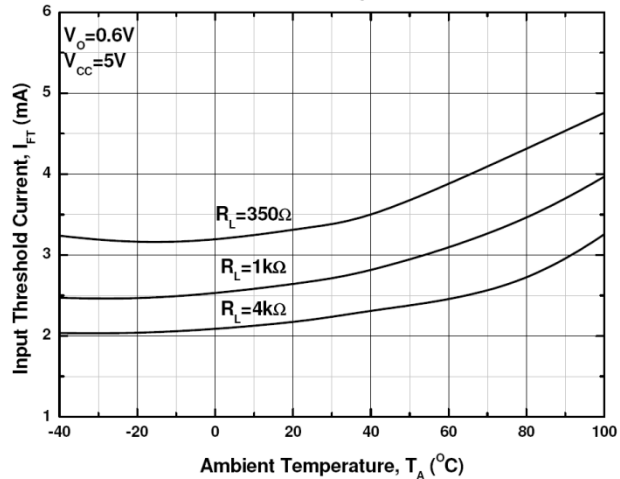


Figure 5. Input Current vs Output Voltage

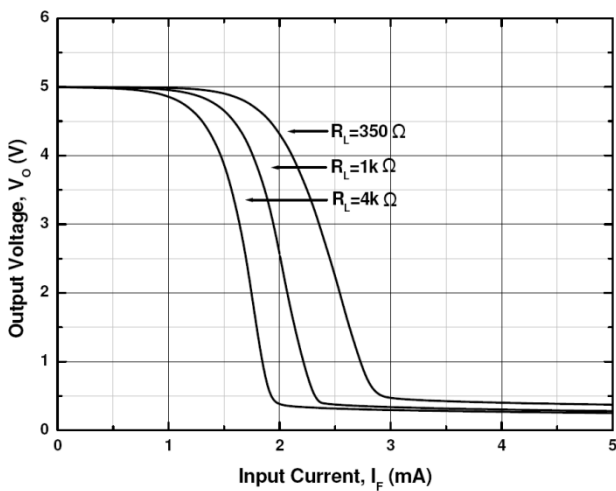


Figure 6. High Level Output Current vs Ambient Temperature

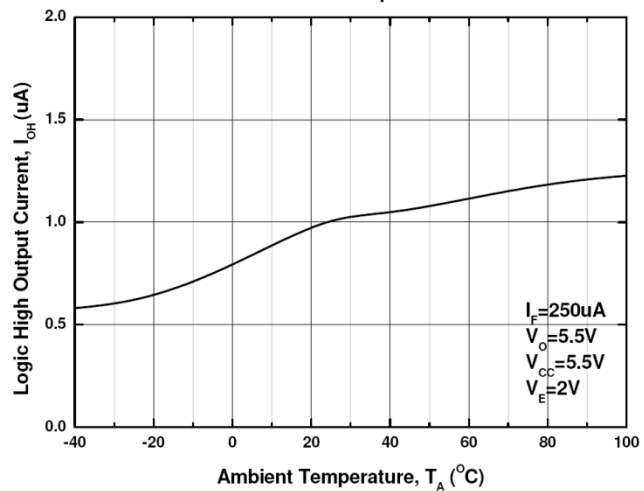


Figure 7. Propagation Delay vs. Forward Current

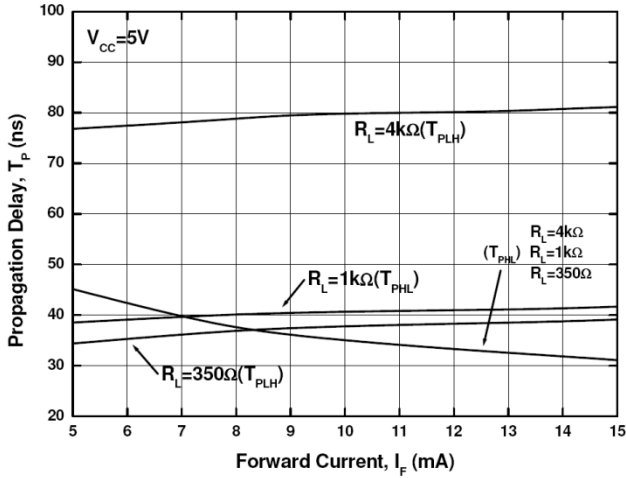


Figure 8. Propagation Delay vs. Temperature

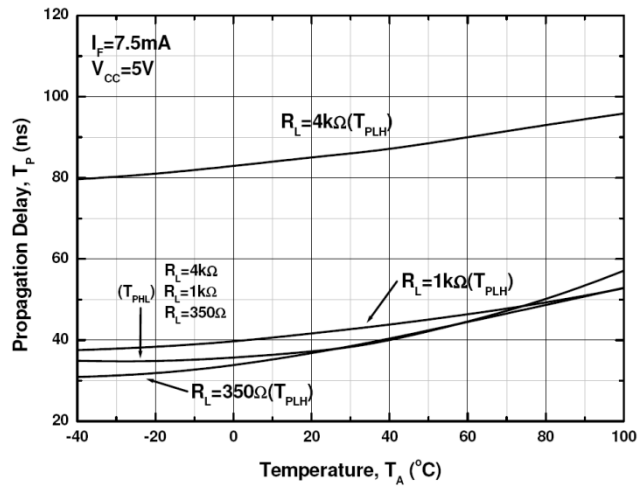


Figure 9. Pulse Width Distortion vs. Temperature

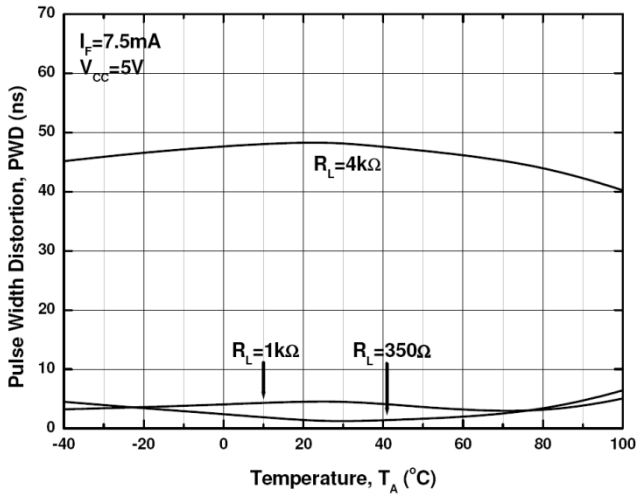


Figure 10. Rise and Fall Time vs. Temperature

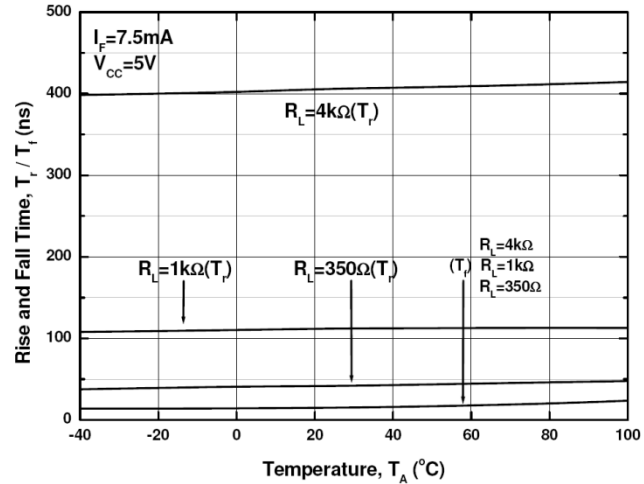


Figure 11. Enable Propagation Delay vs. Temperature

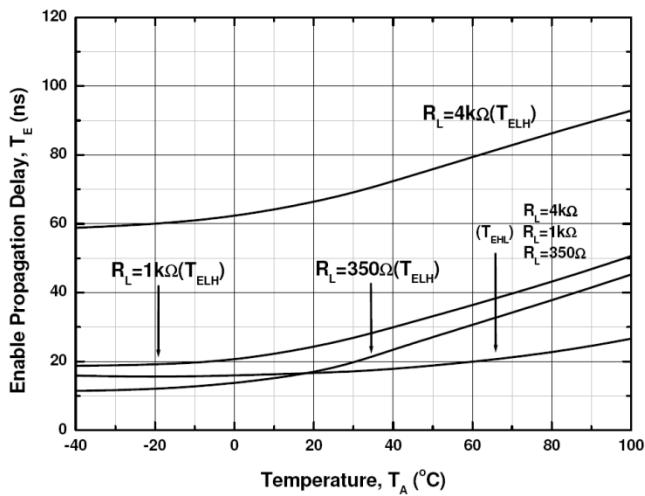


Fig. 12 Test Circuit and Waveforms for  $T_{PHL}$ ,  $T_{PLH}$ ,  $t_r$ , and  $t_f$

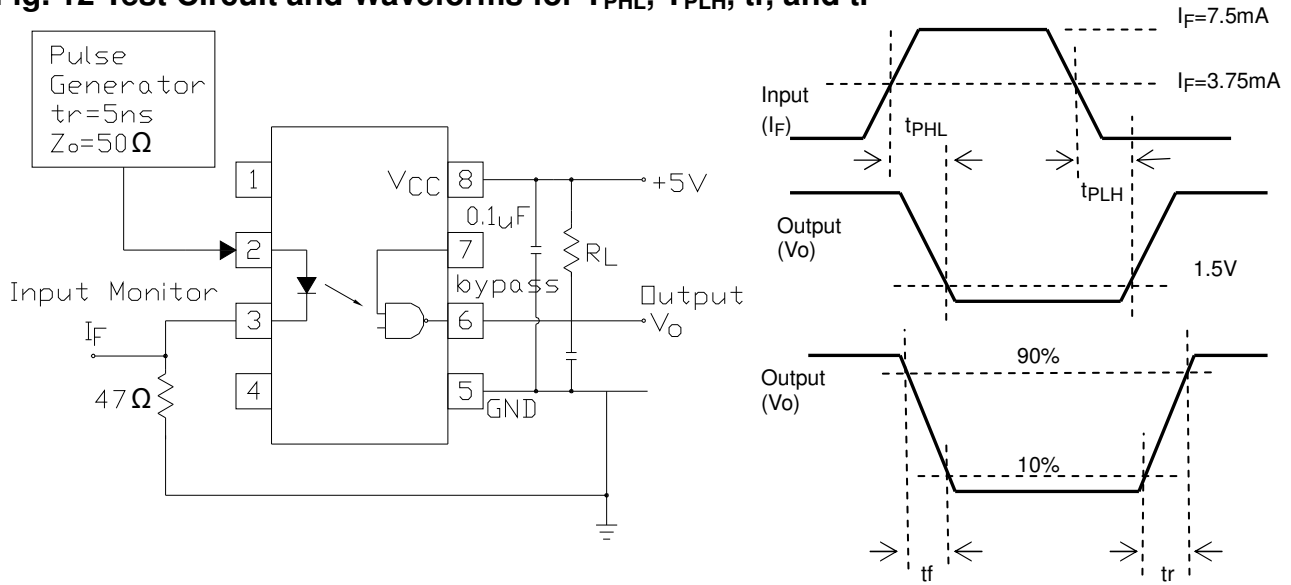


Fig. 13 Test Circuit and Waveform for  $t_{EHL}$  and  $t_{ELH}$

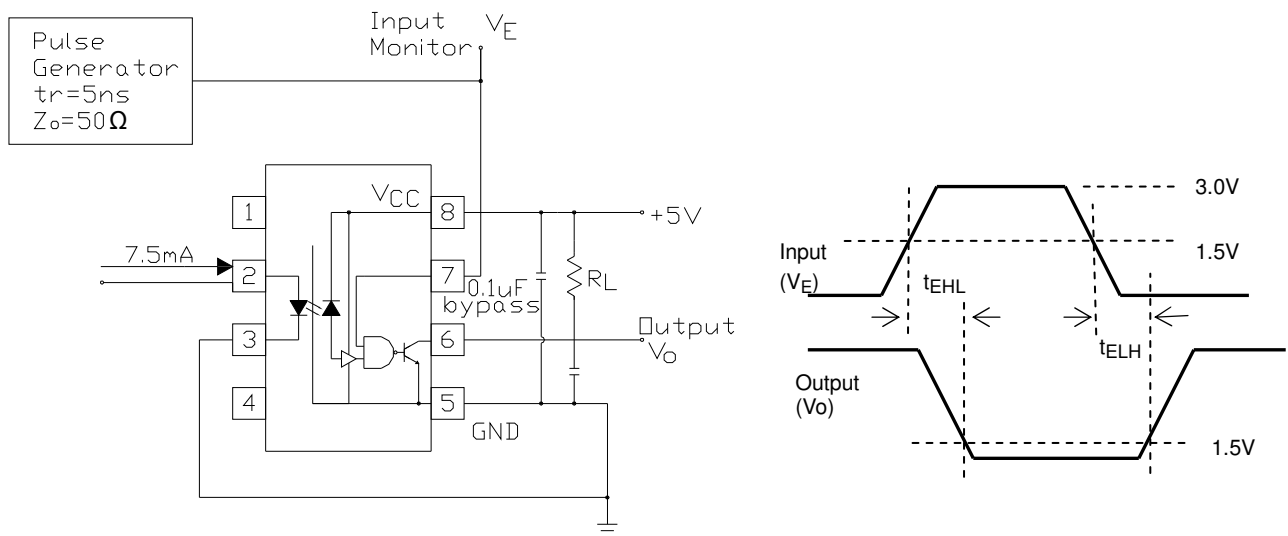


Fig. 14 Test Circuit Common Mode Transient Immunity

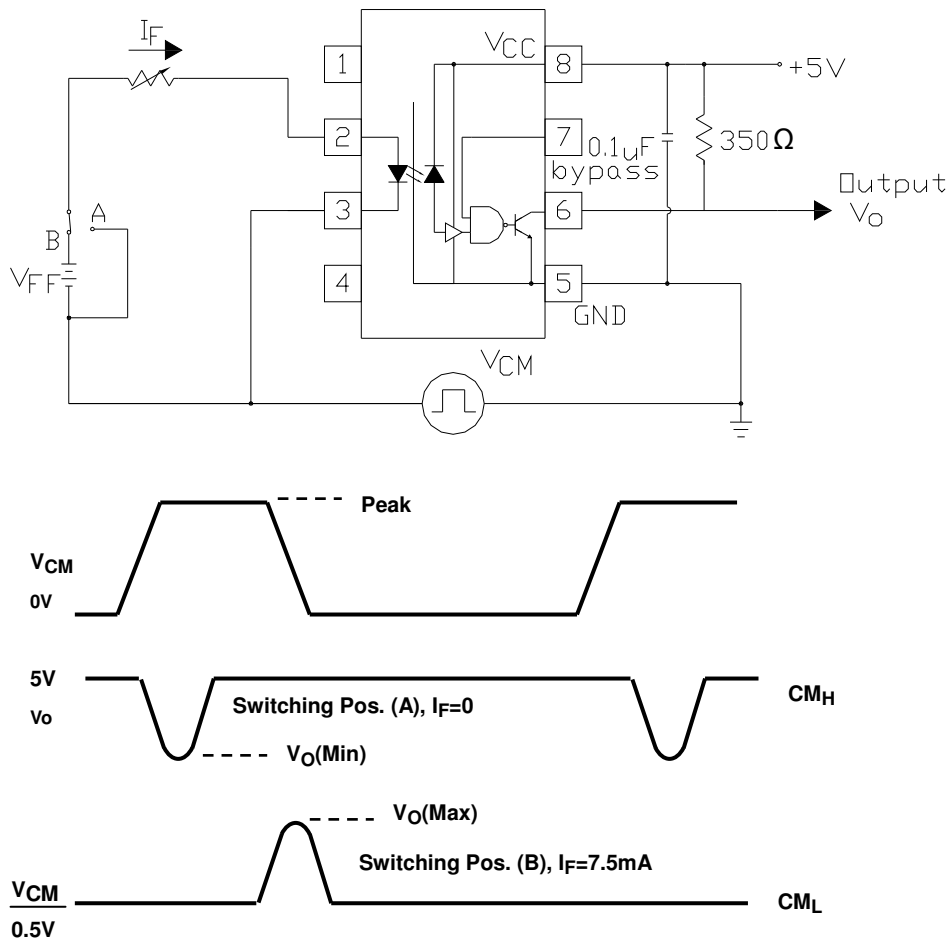
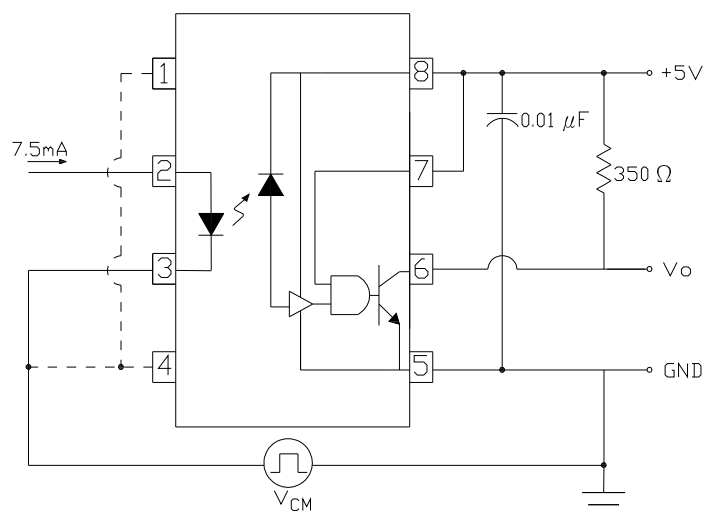


Fig. 15 Recommended Drive Circuit for ELW2611 Families for High-CMR



## Note

- \*3 The  $V_{CC}$  supply must be bypassed by a  $0.1\mu\text{F}$  capacitor or larger. This can be either a ceramic or solid tantalum capacitor with good high frequency characteristic and should be connected as close as possible to the package  $V_{CC}$  and GND pins
- \*4. Enable Input – No pull up resistor required as the device has an internal pull up resistor.
- \*5.  $T_{PLH}$ – Propagation delay is measured from the 3.75mA level on the HIGH to LOW transition of the input current pulse to the 1.5 V level on the LOW to HIGH transition of the output voltage pulse.
- \*6.  $T_{PHL}$ – Propagation delay is measured from the 3.75mA level on the LOW to HIGH transition of the input current pulse to the 1.5 V level on the HIGH to LOW transition of the output voltage pulse.
- \*7.  $t_r$ – Rise time is measured from the 90% to the 10% levels on the LOW to HIGH transition of the output pulse.
- \*8.  $t_f$ – Fall time is measured from the 10% to the 90% levels on the HIGH to LOW transition of the output pulse.
- \*9.  $t_{ELH}$ – Enable input propagation delay is measured from the 1.5V level on the HIGH to LOW transition of the input voltage pulse to the 1.5V level on the LOW to HIGH transition of the output voltage pulse.
- \*10.  $t_{EHL}$ – Enable input propagation delay is measured from the 1.5V level on the LOW to HIGH transition of the input voltage pulse to the 1.5V level on the HIGH to LOW transition of the output voltage pulse.
- \*11  $CMH$ – The maximum tolerable rate of rise of the common mode voltage to ensure the output will remain in the HIGH state (i.e.,  $V_{OUT} > 2.0V$ ).
- \*12  $CML$ – The maximum tolerable rate of rise of the common mode voltage to ensure the output will remain in the LOW output state (i.e.,  $V_{OUT} < 0.8V$ ).

## Order Information

### Part Number

**ELW137Y(Z)-V**

Or

**ELW26XXY(Z)-V**

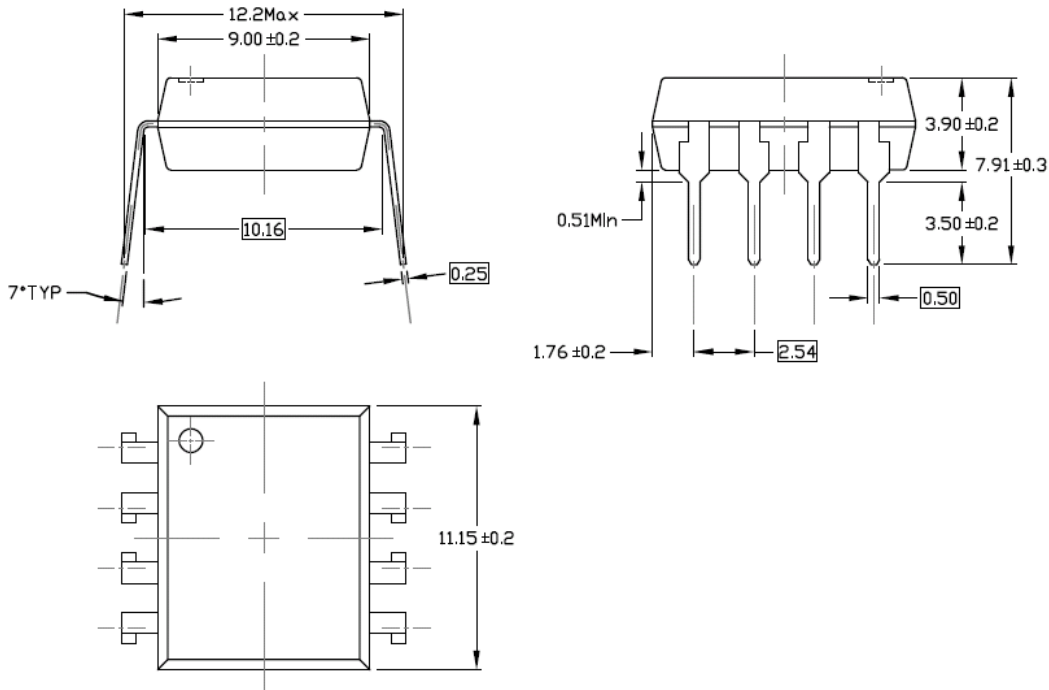
### Note

- XX = 01 or 11 for ELW26 part no.
- Y = Lead form option (S or none)
- Z = Tape and reel option (TA, TB or none).
- V = VDE (optional)

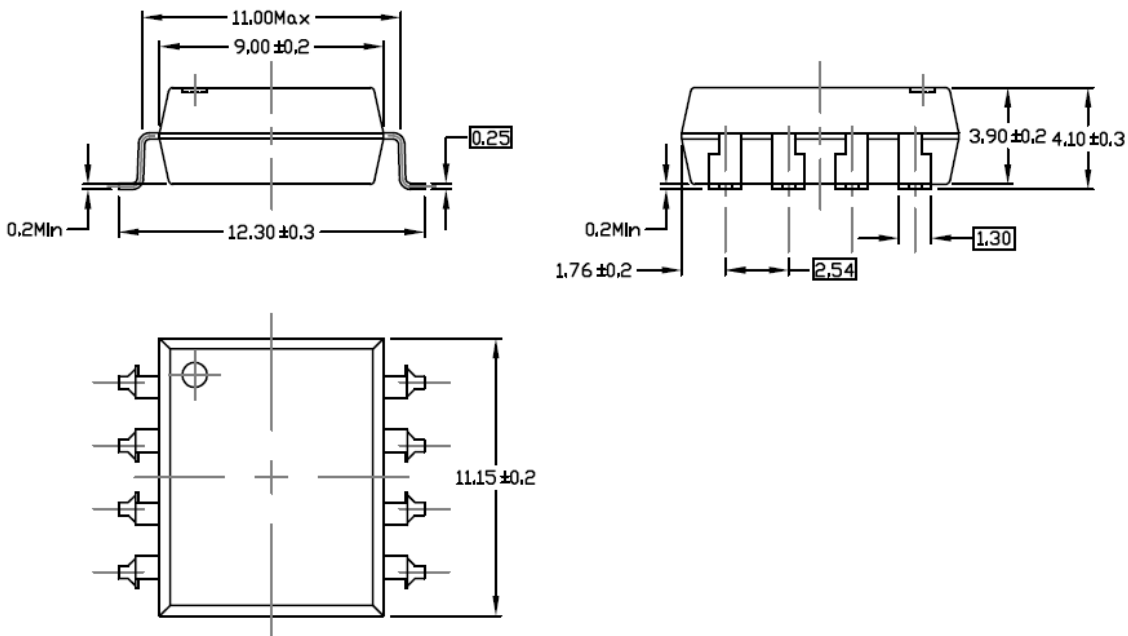
Option	Description	Packing quantity
None	Standard DIP-8	45 units per tube
S (TA)	Surface mount lead form + TA tape & reel option	1000 units per reel
S (TB)	Surface mount lead form + TB tape & reel option	1000 units per reel

**Package Dimension**  
 (Dimensions in mm)

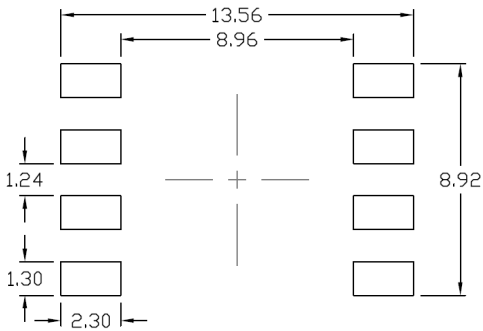
**Standard DIP Type**



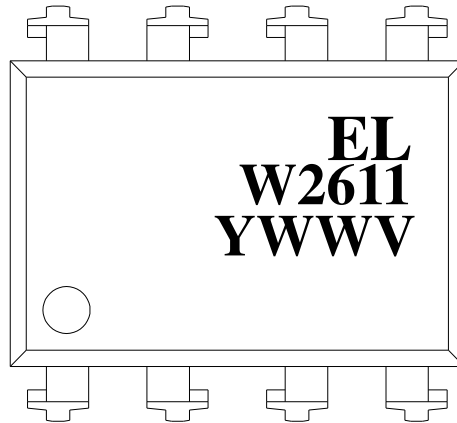
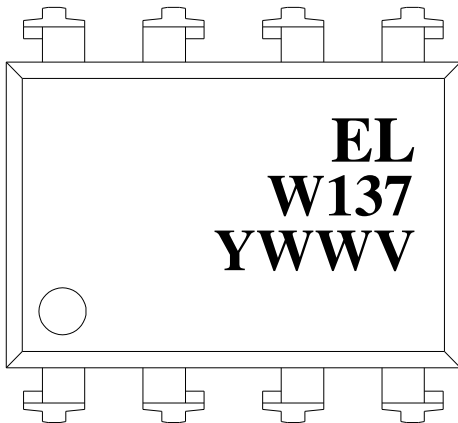
**Option S Type**



### Recommended Pad Layout for Surface Mount Leadform



### Device Marking

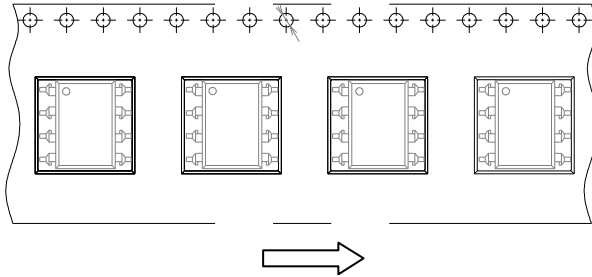


### Notes

- EL denotes EVERLIGHT
- W137 denotes Device Number
- W2611 denotes Device Number
- Y denotes 1 digit Year code
- WW denotes 2 digit Week code
- V denotes VDE (optional)

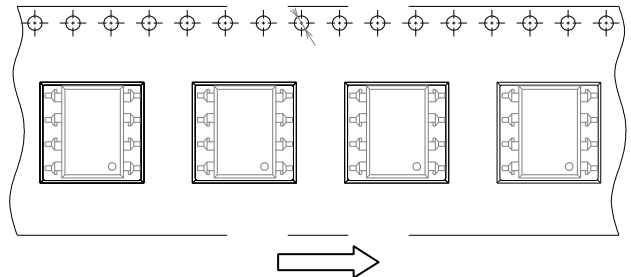
### Tape & Reel Packing Specifications

**Option TA**



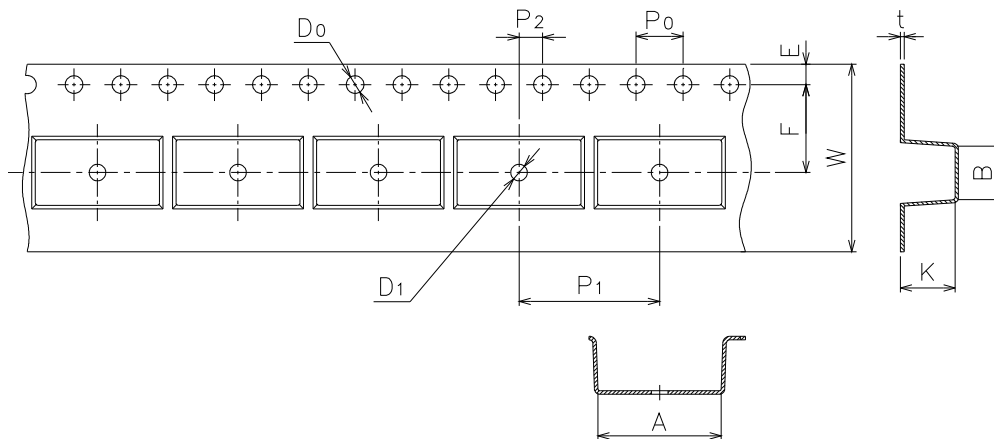
Direction of feed from reel

**Option TB**



Direction of feed from reel

### Tape Dimension

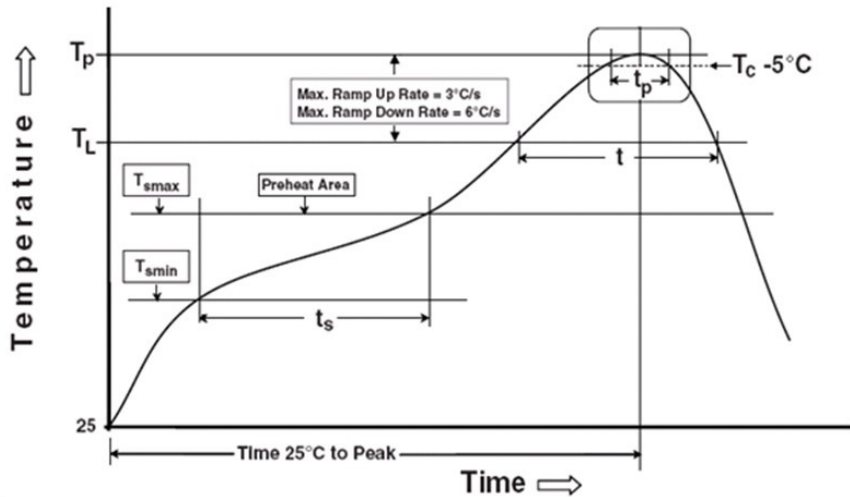


Dimension No.	<b>A</b>	<b>B</b>	<b>Do</b>	<b>D1</b>	<b>E</b>	<b>F</b>
Dimension(mm)	12.7±0.1	11.45±0.1	1.5±0.1	1.5±0.1	1.75±0.1	11.5±0.1
Dimension No.	<b>Po</b>	<b>P1</b>	<b>P2</b>	<b>t</b>	<b>W</b>	<b>K</b>
Dimension(mm)	4.0±0.1	16.0±0.1	2.0±0.1	0.4±0.05	24.00±0.3	4.6±0.1

## Precautions for Use

### 1. Soldering Condition

#### 1.1 (A) Maximum Body Case Temperature Profile for evaluation of Reflow Profile



Note:

Reference: IPC/JEDEC J-STD-020D

#### Preheat

Temperature min ( $T_{smin}$ )	150 °C
Temperature max ( $T_{smax}$ )	200 °C
Time ( $T_{smin}$ to $T_{smax}$ ) ( $t_s$ )	60-120 seconds
Average ramp-up rate ( $T_{smax}$ to $T_p$ )	3 °C/second max

#### Other

Liquidus Temperature ( $T_L$ )	217 °C
Time above Liquidus Temperature ( $t_L$ )	60-100 sec
Peak Temperature ( $T_p$ )	260 °C
Time within 5°C of Actual Peak Temperature: $T_p - 5^\circ\text{C}$	30 s
Ramp- Down Rate from Peak Temperature	6 °C /second max.
Time 25°C to peak temperature	8 minutes max.
Reflow times	3 times

## **DISCLAIMER**

1. Above specification may be changed without notice. EVERLIGHT will reserve authority on material change for above specification.
2. When using this product, please observe the absolute maximum ratings and the instructions for using outlined in these specification sheets. EVERLIGHT assumes no responsibility for any damage resulting from use of the product which does not comply with the absolute maximum ratings and the instructions included in these specification sheets.
3. These specification sheets include materials protected under copyright of EVERLIGHT corporation. Please don't reproduce or cause anyone to reproduce them without EVERLIGHT's consent.

## Looking for pricing, stock, or lifecycle information?

Click below to explore more details on WIN SOURCE:

- [View ELW137S\(TA\)-V on WIN SOURCE](#)
- [Everlight Electronics Co Ltd Information](#)

## Optimize Your Supply Chain with WIN SOURCE Solutions

- ✓ Global Sourcing Solution
- ✓ Obsolete Management
- ✓ Cost Control Management
- ✓ Shortage Management
- ✓ Alternative Solution
- ✓ Excess Inventory Management