



**THE DATASHEET OF  
EL5170ISZ-T13**



EL5170, EL5370

100MHz Differential Twisted-Pair Drivers

FN7309  
Rev 10.00  
August 14, 2015

The EL5170 and EL5370 are single and triple high bandwidth amplifiers with a fixed gain of 2. They are primarily targeted for applications such as driving twisted-pair lines in component video applications. The inputs signal can be in either single-ended or differential form but the outputs are always in differential form.

The output common mode level for each channel is set by the associated  $V_{REF}$  pin, which have a -3dB bandwidth of over 70MHz. Generally, these pins are grounded but can be tied to any voltage reference.

All outputs are short circuit protected to withstand temporary overload condition.

The EL5170 and EL5370 are specified for operation over the full -40 °C to +85 °C temperature range.

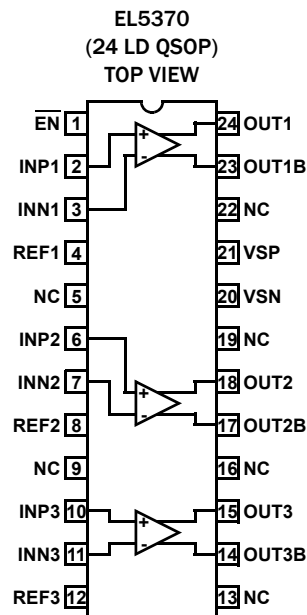
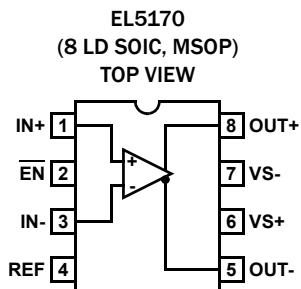
Features

- Fully differential inputs and outputs
- Differential input range  $\pm 2.3V$  typ.
- 100MHz 3dB bandwidth at fixed gain of 2
- 1100V/ $\mu s$  slew rate
- Single 5V or dual  $\pm 5V$  supplies
- 50mA maximum output current
- Low power - 7.4mA per channel
- Pb-free available (RoHS compliant)

Applications

- Twisted-pair drivers
- Differential line drivers
- VGA over twisted-pairs
- ADSL/HDSL drivers
- Single ended to differential amplification
- Transmission of analog signals in a noisy environment

Pinouts



## Pin Descriptions

EL5170	EL5370	PIN NAME	PIN FUNCTION
1		IN+	Non-inverting input
2	1	$\overline{\text{EN}}$	$\overline{\text{Enable}}$
3		IN-	Inverting input
4		REF	Reference input, sets common-mode output voltage
5		OUT-	Inverting output
6		VS+	Positive supply
7		VS-	Negative supply
8		OUT+	Non-inverting output
	2, 6, 10	INP1, INP2, INP3	Non-inverting inputs
	3, 7, 11	INN1, INN2, INN3	Inverting inputs
	4, 8, 12	REF1, REF2, REF3	Reference input, sets common-mode output voltage
	14, 17, 23	OUT3B, OUT2B, OUT1B	Inverting outputs
	21	VSP	Positive supply
	20	VSN	Negative supply
	15, 18, 24	OUT3, OUT2, OUT1	Non-inverting outputs
	5, 9, 13, 16, 19, 22	NC	No connects; grounded for best crosstalk performance

## Ordering Information

PART NUMBER (Notes 1, 2, 3)	PART MARKING	TEMP. RANGE (°C)	PACKAGE (RoHS Compliant)	PKG. DWG. #
EL5170ISZ	5170ISZ	5170ISZ	8 Ld SOIC (150 mil)	M8.15E
EL5170IYZ	BAAVA	BAAVA	8 Ld MSOP (3.0mm)	M8.118A
EL5370IUZ (No longer available or supported)	EL5370IUZ	EL5370IUZ	24 Ld QSOP (150 mil)	MDP0040

### NOTES:

1. Add "-T\*" suffix for tape and reel. Please refer to [TB347](#) for details on reel specifications.
2. These Intersil Pb-free plastic packaged products employ special Pb-free material sets, molding compounds/die attach materials, and 100% matte tin plate plus anneal (e3 termination finish, which is RoHS compliant and compatible with both SnPb and Pb-free soldering operations). Intersil Pb-free products are MSL classified at Pb-free peak reflow temperatures that meet or exceed the Pb-free requirements of IPC/JEDEC J STD-020.
3. For Moisture Sensitivity Level (MSL), please see device information page for [EL5170](#), [EL5370](#). For more information on MSL please see tech brief [TB363](#).

**Absolute Maximum Ratings** ( $T_A = +25^\circ\text{C}$ )

Supply Voltage ( $V_{S+}$ to $V_{S-}$ )	12.6V
Supply Voltage Rate-of-rise (dV/dT)	1V/ $\mu\text{s}$
Input Voltage ( $V_{IN+}$ , $V_{IN-}$ to $V_{S+}$ , $V_{S-}$ )	$V_{S-} - 0.3\text{V}$ to $V_{S+} + 0.3\text{V}$
Differential Input Voltage ( $V_{IN+}$ to $V_{IN-}$ )	$\pm 4.8\text{V}$
Maximum Output Current	$\pm 60\text{mA}$

**Thermal Information**

Operating Junction Temperature	$+135^\circ\text{C}$
Recommended Operating Temperature	$-40^\circ\text{C}$ to $+85^\circ\text{C}$
Storage Temperature Range	$-65^\circ\text{C}$ to $+150^\circ\text{C}$
Power Dissipation	See Curves
Pb-Free Reflow Profile	see link below <a href="http://www.intersil.com/pbfree/Pb-FreeReflow.asp">http://www.intersil.com/pbfree/Pb-FreeReflow.asp</a>

CAUTION: Do not operate at or near the maximum ratings listed for extended periods of time. Exposure to such conditions may adversely impact product reliability and result in failures not covered by warranty.

IMPORTANT NOTE: All parameters having Min/Max specifications are guaranteed. Typ values are for information purposes only. Unless otherwise noted, all tests are at the specified temperature and are pulsed tests, therefore:  $T_J = T_C = T_A$

**Electrical Specifications**  $V_{S+} = +5\text{V}$ ,  $V_{S-} = -5\text{V}$ ,  $T_A = +25^\circ\text{C}$ ,  $V_{IN} = 0\text{V}$ ,  $A_V = 2$ ,  $R_{LD} = 200\Omega$ ,  $C_{LD} = 1\text{pF}$ , Unless Otherwise Specified.

PARAMETER	DESCRIPTION	CONDITIONS	MIN (Note 4)	TYP	MAX (Note 4)	UNIT
<b>AC PERFORMANCE</b>						
BW	-3dB Bandwidth			100		MHz
BW	$\pm 0.1\text{dB}$ Bandwidth			12		MHz
SR	Slew Rate	$V_{OUT} = 2V_{P-P}$ , 20% to 80%	800	1100		V/ $\mu\text{s}$
$t_{STL}$	Settling Time to 0.1%	$V_{OUT} = 2V_{P-P}$		20		ns
$t_{OVR}$	Output Overdrive Recovery time			40		ns
$V_{REFBW}$ (-3dB)	$V_{REF}$ -3dB Bandwidth	$A_V = 1$ , $C_{LD} = 2.7\text{pF}$		70		MHz
$V_{REFSR+}$	$V_{REF}$ Slew Rate - Rise	$V_{OUT} = 2V_{P-P}$ , 20% to 80%		125		V/ $\mu\text{s}$
$V_{REFSR-}$	$V_{REF}$ Slew Rate - Fall	$V_{OUT} = 2V_{P-P}$ , 20% to 80%		65		V/ $\mu\text{s}$
$V_N$	Input Voltage Noise	$f = 10\text{kHz}$		28		nV/ $\sqrt{\text{Hz}}$
HD2	Second Harmonic Distortion	$V_{OUT} = 2V_{P-P}$ , 1MHz		-79		dBc
HD2	Second Harmonic Distortion	$V_{OUT} = 2V_{P-P}$ , 10MHz		-65		dBc
HD3	Third Harmonic Distortion	$V_{OUT} = 2V_{P-P}$ , 1MHz		-62		dBc
HD3	Third Harmonic Distortion	$V_{OUT} = 2V_{P-P}$ , 10MHz		-43		dBc
dG	Differential Gain at 3.58MHz	$R_{LD} = 300\Omega$ , $A_V = 2$		0.14		%
d $\theta$	Differential Phase at 3.58MHz	$R_{LD} = 300\Omega$ , $A_V = 2$		0.38		$^\circ$
$e_S$	Channel Separation - For EL5370 only	at $f = 1\text{MHz}$		85		dB
<b>INPUT CHARACTERISTICS</b>						
$V_{OS}$	Input Referred Offset Voltage			$\pm 6$	$\pm 25$	mV
$I_{IN}$	Input Bias Current ( $V_{IN}$ , $V_{INB}$ )		-10	-6	-2	$\mu\text{A}$
$I_{REF}$	Input Bias Current at REF Pin	$V_{REF} = +3.2\text{V}$	0.5	1.25	3	$\mu\text{A}$
		$V_{REF} = -3.2\text{V}$	-1	0	+1	$\mu\text{A}$
Gain	Gain Accuracy	$V_{IN} = \pm 1\text{V}$	1.98	2	2.02	V
$R_{IN}$	Differential Input Resistance			300		k $\Omega$
$C_{IN}$	Differential Input Capacitance			1		pF
DMIR	Differential Mode Input Range		$\pm 2.1$	$\pm 2.3$		V
CMIR+	Common Mode Positive Input Range at $V_{IN+}$ , $V_{IN-}$		3.2	3.4		V
CMIR-	Common Mode Negative Input Range at $V_{IN+}$ , $V_{IN-}$			-4.5	-4.2	V

**Electrical Specifications**  $V_{S+} = +5V$ ,  $V_{S-} = -5V$ ,  $T_A = +25^{\circ}C$ ,  $V_{IN} = 0V$ ,  $A_V = 2$ ,  $R_{LD} = 200\Omega$ ,  $C_{LD} = 1pF$ , Unless Otherwise Specified. (Continued)

PARAMETER	DESCRIPTION	CONDITIONS	MIN (Note 4)	TYP	MAX (Note 4)	UNIT
$V_{REFIN}$	Reference Input Voltage Range - Positive	$V_{IN+} = V_{IN-} = 0V$	3.4	3.8		V
	Reference Input Voltage Range - Negative			-3.3	-3	V
$V_{REFOS}$	Output Offset Relative to $V_{REF}$		-140	60	+140	mV
CMRR	Input Common Mode Rejection Ratio	$V_{IN} = \pm 2.5V$	65	84		dB
<b>OUTPUT CHARACTERISTICS</b>						
$V_{OUT}$	Positive Output Voltage Swing	$R_{LD} = 200\Omega$	3.3	3.6		V
	Negative Output Voltage Swing			-3.3	-3	V
$I_{OUT(Max)}$	Maximum Output Current	$R_L = 10\Omega$ (EL5170)	$\pm 50$	$\pm 80$		mA
		$R_L = 10\Omega$ (EL5370)	$\pm 70$	$\pm 85$		mA
$R_{OUT}$	Output Impedance			60		$m\Omega$
<b>SUPPLY</b>						
$V_{SUPPLY}$	Supply Operating Range	$V_{S+}$ to $V_{S-}$	4.75		11	V
$I_{S(ON)}$	Power Supply Current - Per Channel		6	7.4	8.4	mA
$I_{S(OFF)+}$	Positive Power Supply Current - Disabled	$\overline{EN}$ pin tied to 4.8V (EL5170)	60	80	100	$\mu A$
$I_{S(OFF)-}$	Negative Power Supply Current - Disabled		-150	-120	-90	$\mu A$
$I_{S(OFF)+}$	Positive Power Supply Current - Disabled	$\overline{EN}$ pin tied to 4.8V (EL5370)	0.5	2	5	$\mu A$
$I_{S(OFF)-}$	Negative Power Supply Current - Disabled		-150	-120	-90	$\mu A$
PSRR	Power Supply Rejection Ratio	$V_S$ from $\pm 4.5V$ to $\pm 5.5V$ (EL5170)	70	83		dB
		$V_S$ from $\pm 4.5V$ to $\pm 5.5V$ (EL5370)	65	83		dB
<b>ENABLE</b>						
$t_{EN}$	Enable Time			200		ns
$t_{DS}$	Disable Time			1		$\mu s$
$V_{IH}$	$\overline{EN}$ Pin Voltage for Power-Up				$V_{S+} - 1.5$	V
$V_{IL}$	$\overline{EN}$ Pin Voltage for Shutdown		$V_{S+} - 0.5$			V
$I_{IH-EN}$	$\overline{EN}$ Pin Input Current High - Per Channel	At $V_{EN} = 5V$		40	50	$\mu A$
$I_{IL-EN}$	$\overline{EN}$ Pin Input Current Low - Per Channel	At $V_{EN} = 0V$	-6	-3		$\mu A$

**NOTE:**

4. Parameters with MIN and/or MAX limits are 100% tested at  $+25^{\circ}C$ , unless otherwise specified. Temperature limits established by characterization and are not production tested.

# Typical Performance Curves

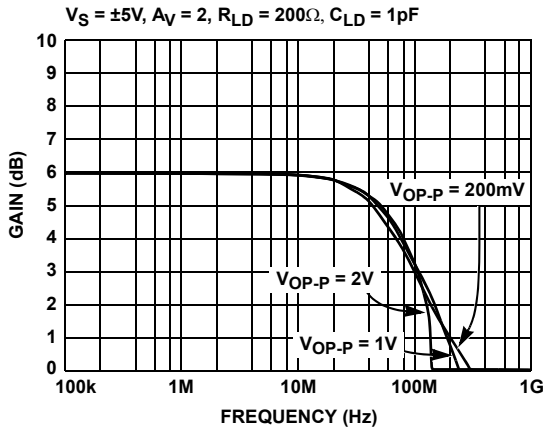


FIGURE 1. FREQUENCY RESPONSE

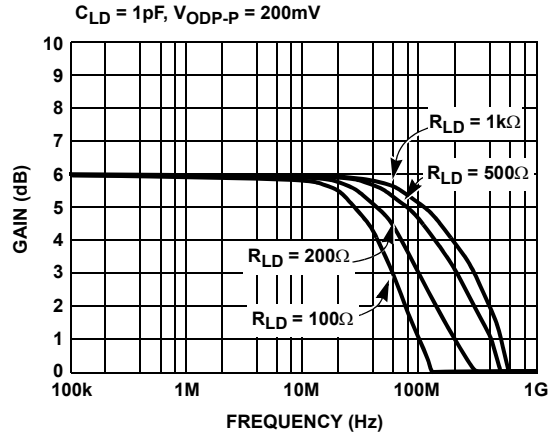


FIGURE 2. SMALL SIGNAL FREQUENCY RESPONSE vs  $R_{LD}$

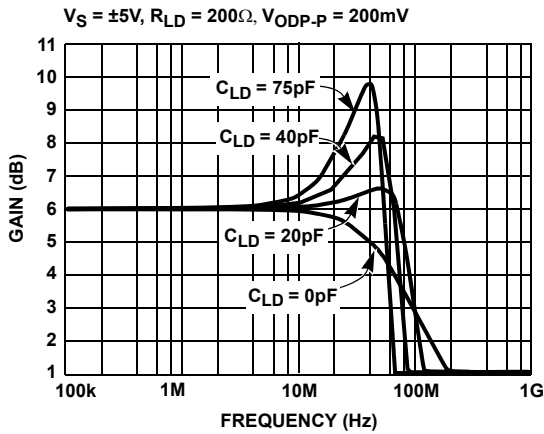


FIGURE 3. SMALL SIGNAL FREQUENCY RESPONSE vs  $C_{LD}$

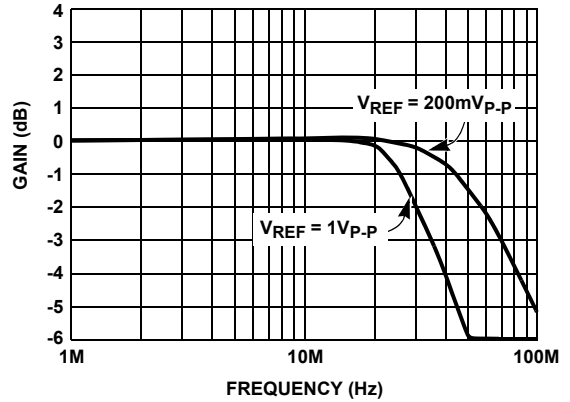


FIGURE 4. FREQUENCY RESPONSE vs  $V_{REF}$

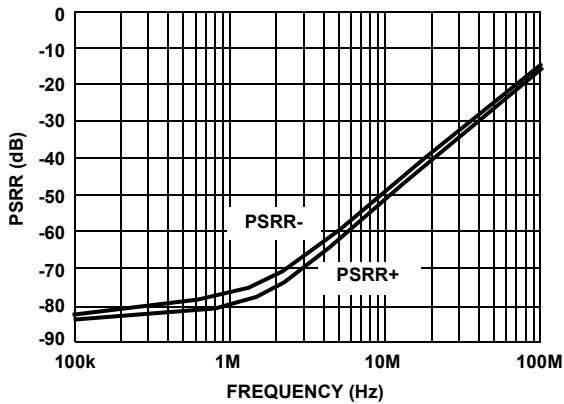


FIGURE 5. POWER SUPPLY REJECTION RATIO vs FREQUENCY

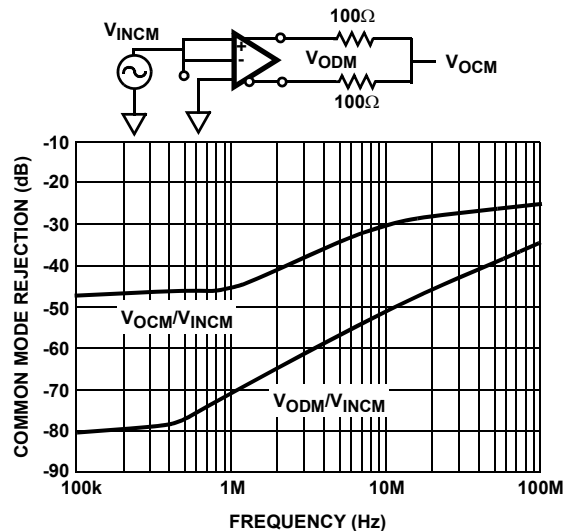


FIGURE 6. COMMON MODE REJECTION vs FREQUENCY

# Typical Performance Curves (Continued)

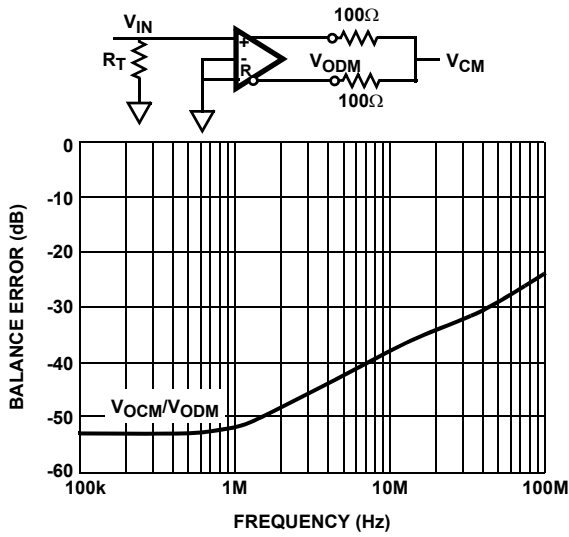


FIGURE 7. DIFFERENTIAL MODE OUTPUT BALANCE ERROR vs FREQUENCY

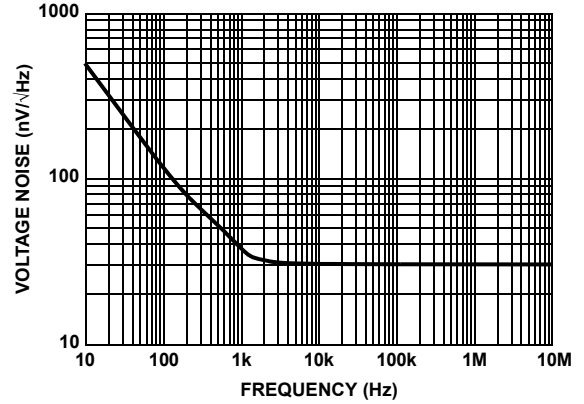


FIGURE 8. INPUT VOLTAGE NOISE vs FREQUENCY

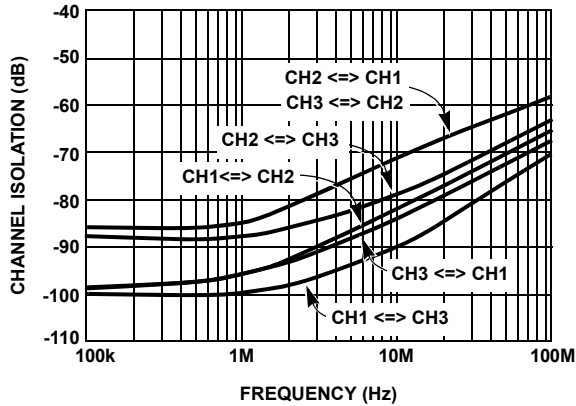


FIGURE 9. CHANNEL ISOLATION vs FREQUENCY

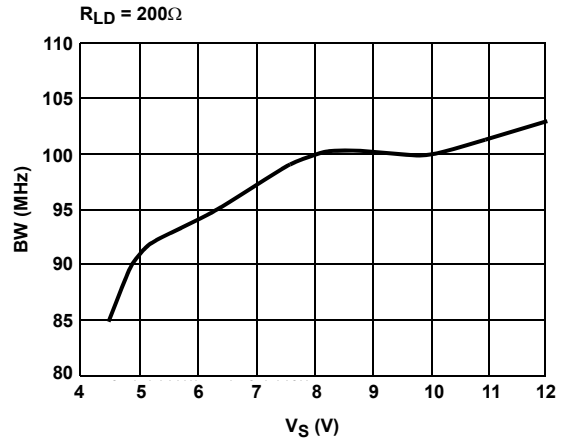


FIGURE 10. BANDWIDTH vs SUPPLY VOLTAGE

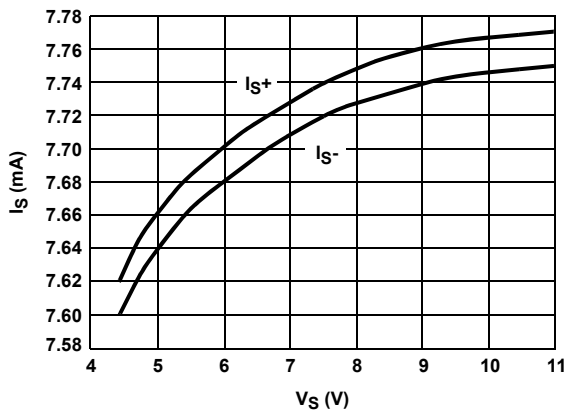


FIGURE 11. SUPPLY CURRENT vs SUPPLY VOLTAGE

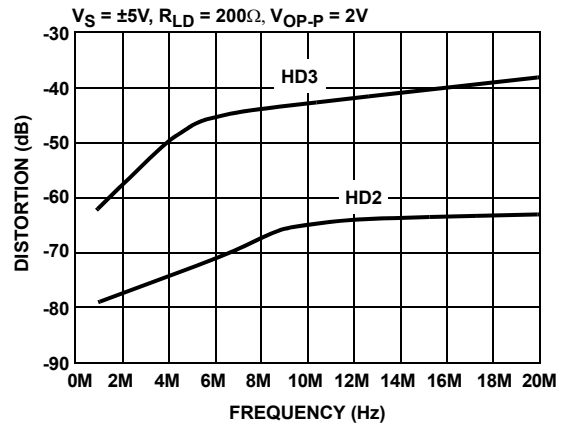


FIGURE 12. HARMONIC DISTORTION vs FREQUENCY

# Typical Performance Curves (Continued)

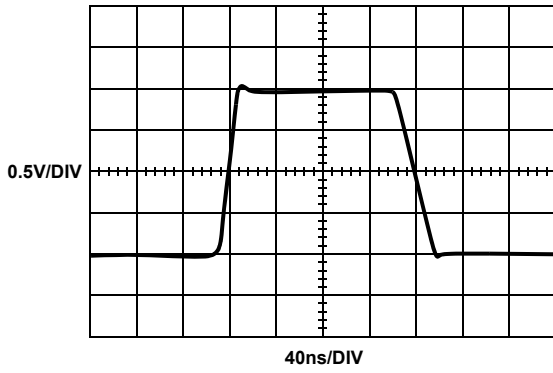


FIGURE 13.  $V_{COM}$  TRANSIENT RESPONSE

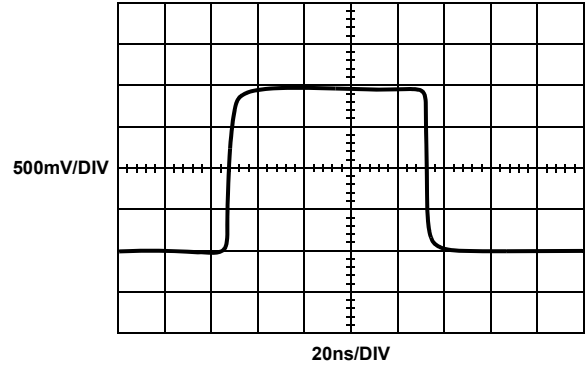


FIGURE 14. LARGE SIGNAL TRANSIENT RESPONSE

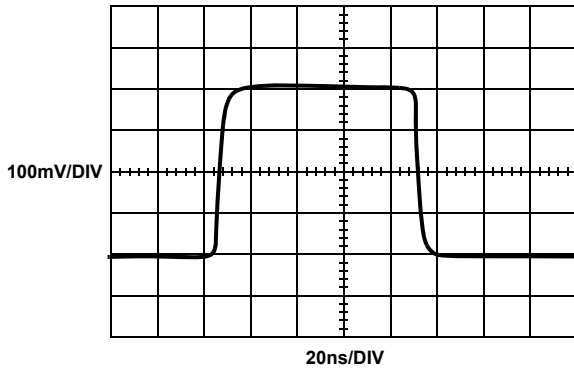


FIGURE 15. SMALL SIGNAL TRANSIENT RESPONSE

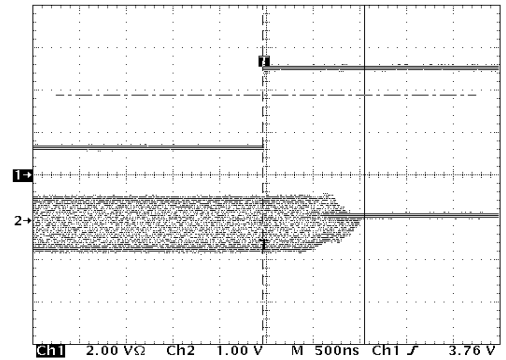


FIGURE 16. DISABLED RESPONSE

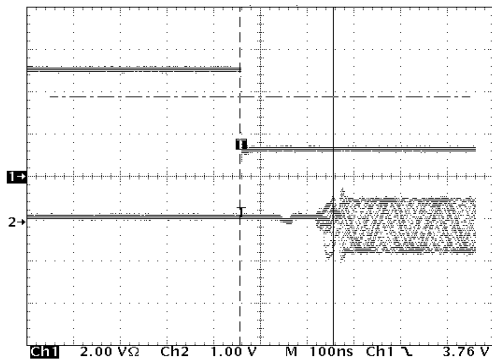


FIGURE 17. ENABLED RESPONSE

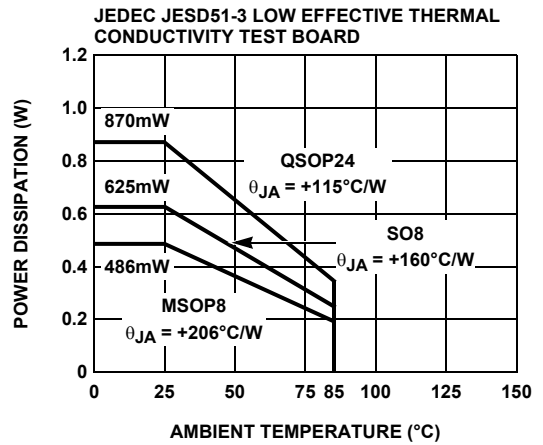


FIGURE 18. PACKAGE POWER DISSIPATION vs AMBIENT TEMPERATURE

## Typical Performance Curves (Continued)

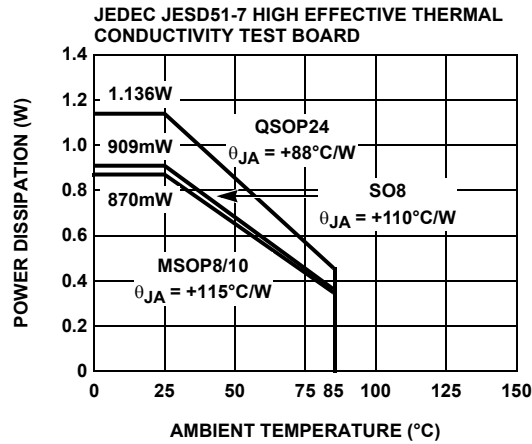
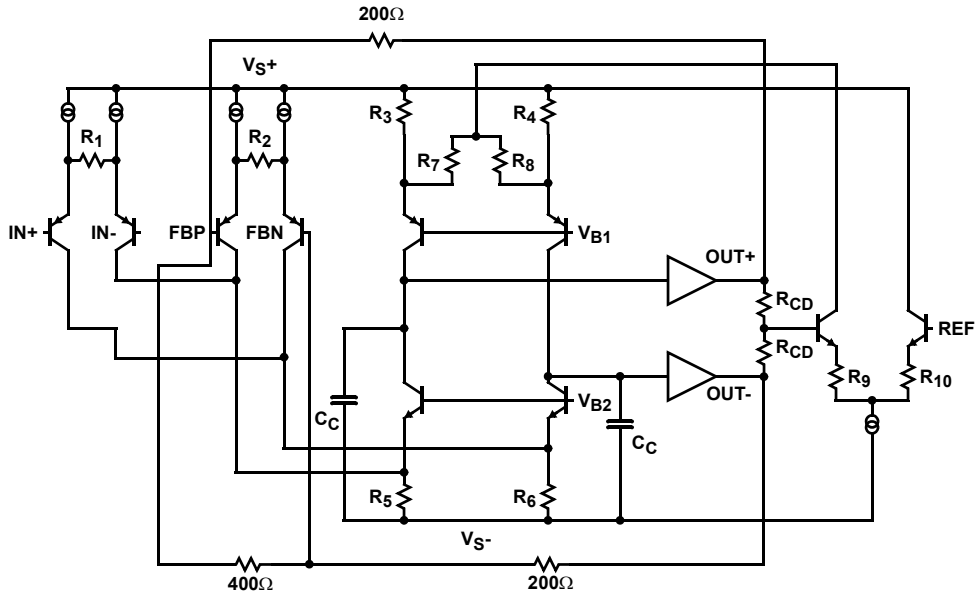


FIGURE 19. PACKAGE POWER DISSIPATION vs AMBIENT TEMPERATURE

## Simplified Schematic



## Description of Operation and Application Information

### Product Description

The EL5170 and EL5370 are wide bandwidth, low power and single/differential ended to differential output amplifiers. They have a fixed gain of 2. The EL5170 is a single channel differential amplifier. The EL5370 is a triple channel differential amplifier. The EL5170 and EL5370 have a -3dB bandwidth of 100MHz while driving a 200Ω differential load. The EL5170 and EL5370 are available with a power-down feature to reduce the power while the amplifiers are disabled.

### Input, Output and Supply Voltage Range

The EL5170 and EL5370 have been designed to operate with a single supply voltage of 5V to 10V or split supplies with its total voltage from 5V to 10V. The amplifiers have an input common mode voltage range from -4.5V to 3.4V for ±5V supply. The differential mode input range (DMIR) between the two inputs is from -2.3V to +2.3V. The input voltage range at the REF pin is from -3.3V to 3.8V. If the input common mode or differential mode signal is outside the above-specified ranges, it will cause the output signal to become distorted.

The output of the EL5170 and EL5370 can swing from -3.3V to 3.6V at 200Ω differential load at ±5V supply. As the load resistance becomes lower, the output swing is reduced.

### Differential and Common Mode Gain Settings

As shown in the "Simplified Schematic" on page 8, since the feedback resistors  $R_F$  and the gain resistor are integrated with 200Ω and 400Ω, the EL5170 and EL5370 have a fixed gain of 2. The common mode gain is always one.

### Driving Capacitive Loads and Cables

The EL5170 and EL5370 can drive 75pF differential capacitor in parallel with 200Ω differential load with less than 3.5dB of peaking. If less peaking is desired in applications, a small series resistor (usually between 5Ω to 50Ω) can be placed in series with each output to eliminate most peaking. However, this will reduce the gain slightly.

When used as a cable driver, double termination is always recommended for reflection-free performance. For those applications, a back-termination series resistor at the amplifier's output will isolate the amplifier from the cable and allow extensive capacitive drive. However, other applications may have high capacitive loads without a back-termination resistor. Again, a small series resistor at the output can help to reduce peaking.

### Disable/Power-Down

The EL5170 and EL5370 can be disabled and their outputs placed in a high impedance state. The turn-off time is about 1μs and the turn-on time is about 200ns. When disabled, the amplifier's supply current is reduced to 2μA for  $I_{S+}$  and 120μA for  $I_{S-}$  typically, thereby effectively eliminating the power consumption. The amplifier's power-down can be controlled by standard CMOS signal levels at the ENABLE pin. The applied

logic signal is relative to  $V_{S+}$  pin. Letting the  $\overline{EN}$  pin float or applying a signal that is less than 1.5V below  $V_{S+}$  will enable the amplifier. The amplifier will be disabled when the signal at  $\overline{EN}$  pin is above  $V_{S+} - 0.5V$ .

### Output Drive Capability

The EL5170 and EL5370 have internal short circuit protection. Its typical short circuit current is ±80mA. If the output is shorted indefinitely, the power dissipation could easily increase such that the part will be destroyed. Maximum reliability is maintained if the output current never exceeds ±60mA. This limit is set by the design of the internal metal interconnect.

### Power Dissipation

With the high output drive capability of the EL5170 and EL5370 it is possible to exceed the +125°C absolute maximum junction temperature under certain load current conditions. Therefore, it is important to calculate the maximum junction temperature for the application to determine if the load conditions or package types need to be modified for the amplifier to remain in the safe operating area.

The maximum power dissipation allowed in a package is determined according to Equation 1:

$$PD_{MAX} = \frac{T_{JMAX} - T_{AMAX}}{\theta_{JA}} \quad (EQ. 1)$$

Where:

$T_{JMAX}$  = Maximum junction temperature

$T_{AMAX}$  = Maximum ambient temperature

$\theta_{JA}$  = Thermal resistance of the package

The maximum power dissipation actually produced by an IC is the total quiescent supply current times the total power supply voltage, plus the power in the IC due to the load, or as expressed in Equation 2:

$$PD = i \times \left( V_{STOT} \times I_{SMAX} + (V_{STOT} - \Delta V_O) \times \frac{\Delta V_O}{R_{LD}} \right) \quad (EQ. 2)$$

Where:

$V_{STOT}$  = Total supply voltage =  $V_{S+} - V_{S-}$

$I_{SMAX}$  = Maximum quiescent supply current per channel

$\Delta V_O$  = Maximum differential output voltage of the application

$R_{LD}$  = Differential load resistance

$I_{LOAD}$  = Load current

$i$  = Number of channels

By setting the two  $PD_{MAX}$  equations equal to each other, we can solve the output current and  $R_{LOAD}$  to avoid the device overheat.

## Power Supply Bypassing and Printed Circuit Board Layout

As with any high frequency device, a good printed circuit board layout is necessary for optimum performance. Lead lengths should be as short as possible. The power supply pin must be well bypassed to reduce the risk of oscillation. For normal single supply operation, where the  $V_{S-}$  pin is connected to the ground plane, a single 4.7 $\mu$ F tantalum capacitor in parallel with a 0.1 $\mu$ F ceramic capacitor from  $V_{S+}$  to GND will suffice. This same capacitor combination should be placed at each supply pin to ground if split supplies are to be used. In this case, the  $V_{S-}$  pin becomes the negative supply rail.

For good AC performance, parasitic capacitance should be kept to minimum. Use of wire wound resistors should be avoided because of their additional series inductance. Use of sockets should also be avoided if possible. Sockets add parasitic inductance and capacitance that can result in compromised performance. Minimizing parasitic capacitance at the amplifier's inverting input pin is very important. The feedback resistor should be placed very close to the inverting input pin. Strip line design techniques are recommended for the signal traces.

## Typical Applications

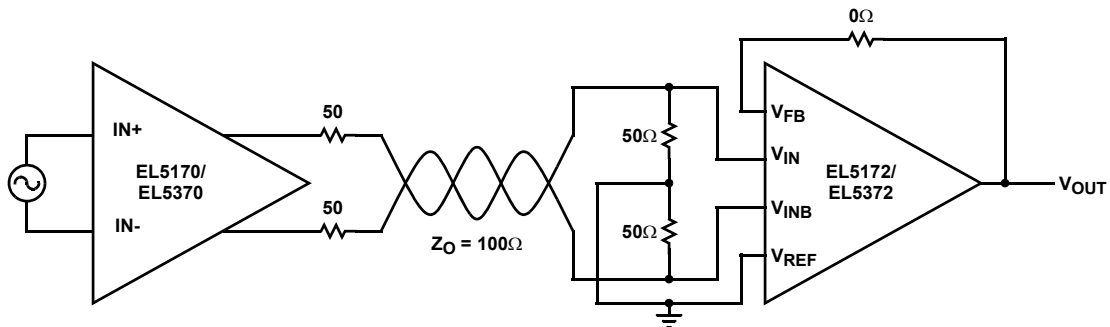


FIGURE 20. TWISTED PAIR DRIVER

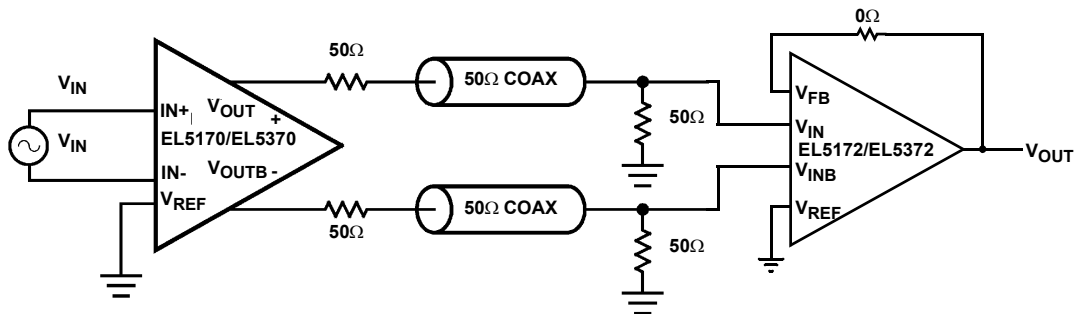


FIGURE 21. DUAL COAXIAL CABLE DRIVER

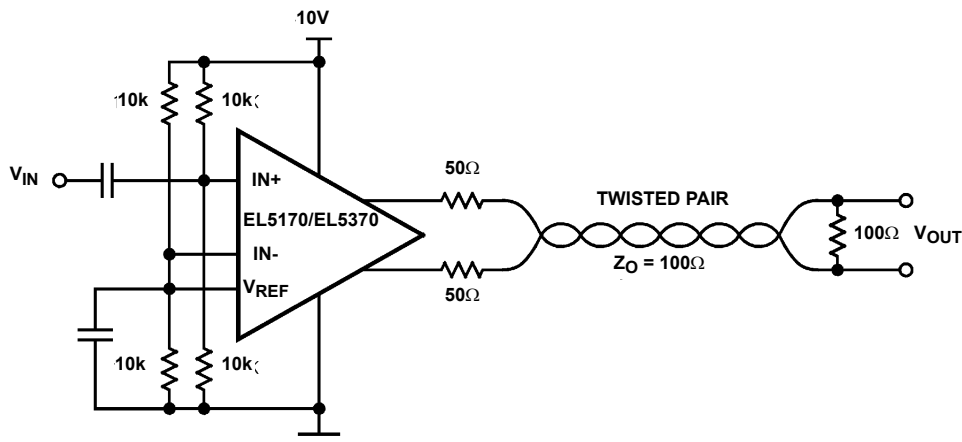


FIGURE 22. SINGLE SUPPLY TWISTED PAIR DRIVER

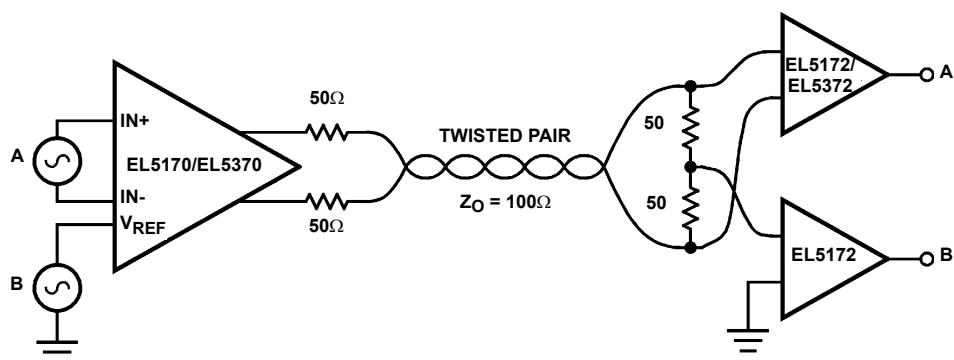


FIGURE 23. DUAL SIGNAL TRANSMISSION CIRCUIT

## Revision History

The revision history provided is for informational purposes only and is believed to be accurate, but not warranted. Please go to the web to make sure that you have the latest revision.

DATE	REVISION	CHANGE
August 14, 2015	FN7309.10	Updated Ordering Information table onpage 2. Added Revision History and About Intersil sections.

## About Intersil

Intersil Corporation is a leading provider of innovative power management and precision analog solutions. The company's products address some of the largest markets within the industrial and infrastructure, mobile computing and high-end consumer markets.

For the most updated datasheet, application notes, related documentation and related parts, please see the respective product information page found at [www.intersil.com](http://www.intersil.com).

You may report errors or suggestions for improving this datasheet by visiting [www.intersil.com/ask](http://www.intersil.com/ask).

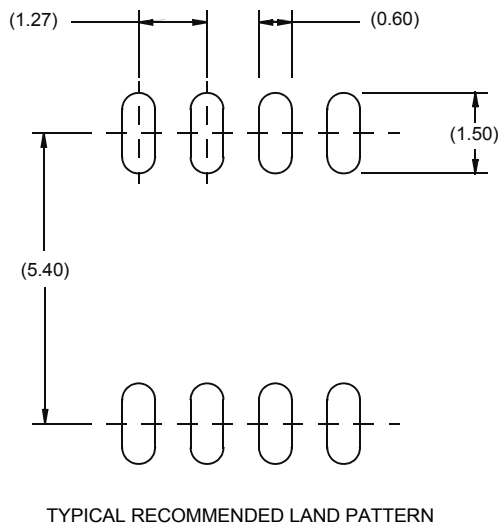
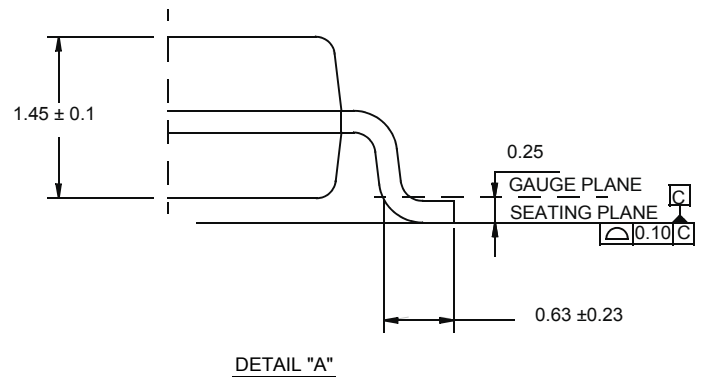
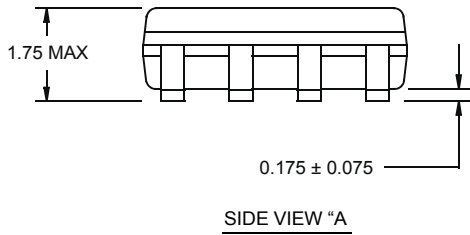
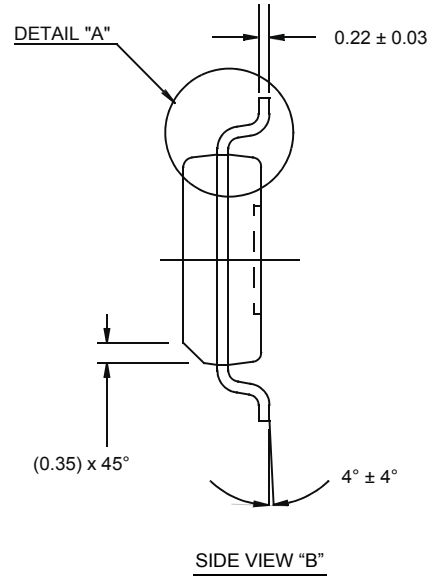
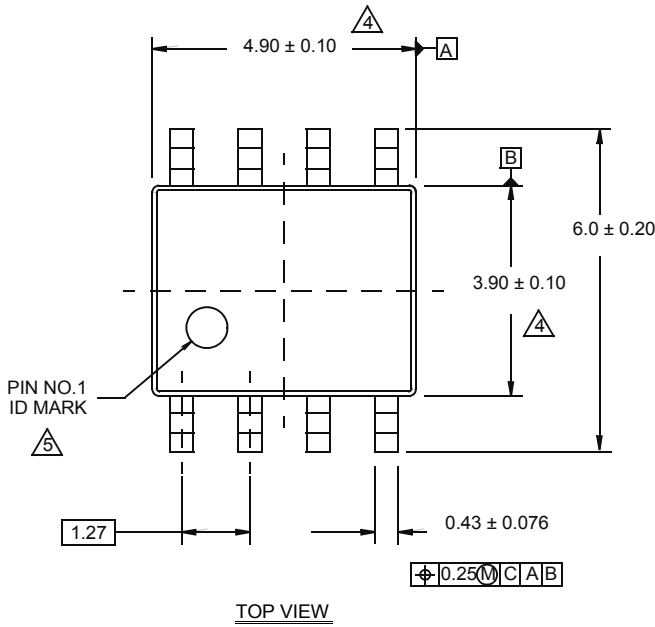
Reliability reports are also available from our website at [www.intersil.com/support](http://www.intersil.com/support)

# Package Outline Drawing

## M8.15E

8 LEAD NARROW BODY SMALL OUTLINE PLASTIC PACKAGE

Rev 0, 08/09



NOTES:

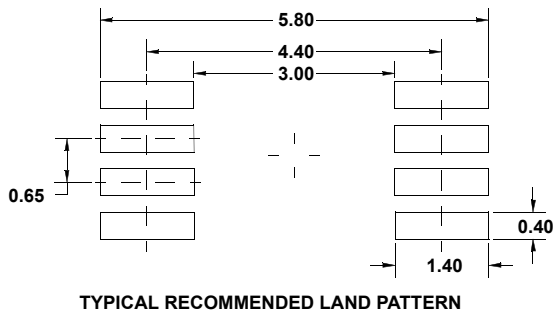
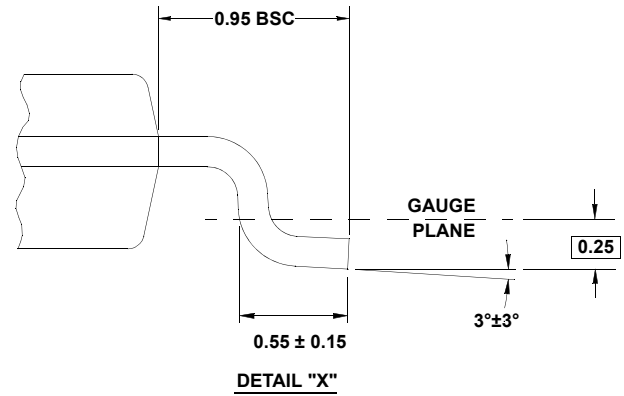
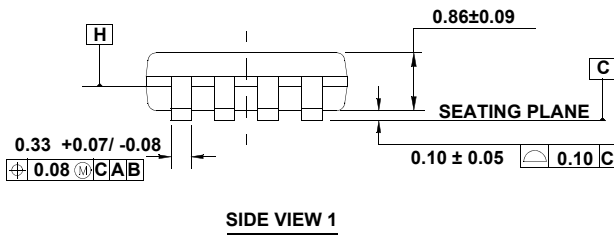
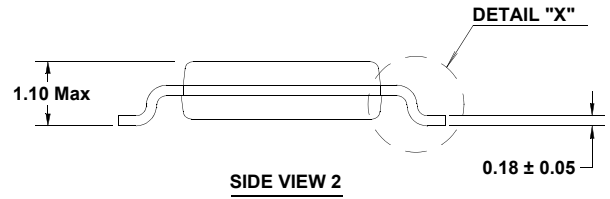
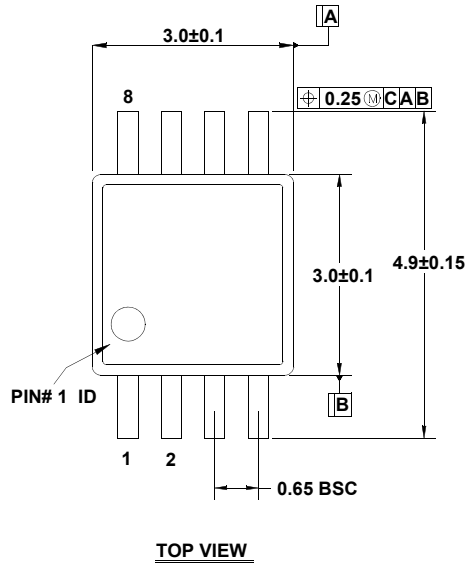
1. Dimensions are in millimeters.  
Dimensions in ( ) for Reference Only.
2. Dimensioning and tolerancing conform to AMSE Y14.5m-1994.
3. Unless otherwise specified, tolerance : Decimal ± 0.05
4. Dimension does not include interlead flash or protrusions.  
Interlead flash or protrusions shall not exceed 0.25mm per side.
5. The pin #1 identifier may be either a mold or mark feature.
6. Reference to JEDEC MS-012.

# Package Outline Drawing

## M8.118A

8 LEAD MINI SMALL OUTLINE PLASTIC PACKAGE (MSOP)

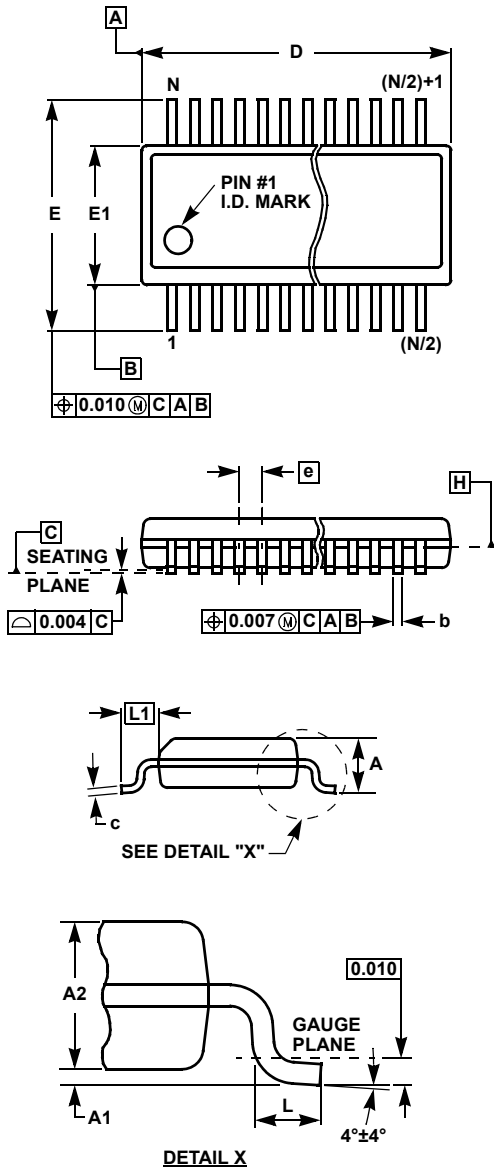
Rev 0, 9/09



**NOTES:**

1. Dimensions are in millimeters.
2. Dimensioning and tolerancing conform to JEDEC MO-187-AA and AMSE Y14.5m-1994.
3. Plastic or metal protrusions of 0.15mm max per side are not included.
4. Plastic interlead protrusions of 0.25mm max per side are not included.
5. Dimensions "D" and "E1" are measured at Datum Plane "H".
6. This replaces existing drawing # MDP0043 MSOP 8L.

**Quarter Size Outline Plastic Packages Family (QSOP)**



**MDP0040**

**QUARTER SIZE OUTLINE PLASTIC PACKAGES FAMILY**

SYMBOL	INCHES			TOLERANCE	NOTES
	QSOP16	QSOP24	QSOP28		
A	0.068	0.068	0.068	Max.	-
A1	0.006	0.006	0.006	$\pm 0.002$	-
A2	0.056	0.056	0.056	$\pm 0.004$	-
b	0.010	0.010	0.010	$\pm 0.002$	-
c	0.008	0.008	0.008	$\pm 0.001$	-
D	0.193	0.341	0.390	$\pm 0.004$	1, 3
E	0.236	0.236	0.236	$\pm 0.008$	-
E1	0.154	0.154	0.154	$\pm 0.004$	2, 3
e	0.025	0.025	0.025	Basic	-
L	0.025	0.025	0.025	$\pm 0.009$	-
L1	0.041	0.041	0.041	Basic	-
N	16	24	28	Reference	-

Rev. F 2/07

**NOTES:**

1. Plastic or metal protrusions of 0.006" maximum per side are not included.
2. Plastic interlead protrusions of 0.010" maximum per side are not included.
3. Dimensions "D" and "E1" are measured at Datum Plane "H".
4. Dimensioning and tolerancing per ASME Y14.5M-1994.

© Copyright Intersil Americas LLC 2002-2015. All Rights Reserved.  
 All trademarks and registered trademarks are the property of their respective owners.

For additional products, see [www.intersil.com/en/products.html](http://www.intersil.com/en/products.html)

Intersil products are manufactured, assembled and tested utilizing ISO9001 quality systems as noted in the quality certifications found at [www.intersil.com/en/support/qualandreliability.html](http://www.intersil.com/en/support/qualandreliability.html)

*Intersil products are sold by description only. Intersil may modify the circuit design and/or specifications of products at any time without notice, provided that such modification does not, in Intersil's sole judgment, affect the form, fit or function of the product. Accordingly, the reader is cautioned to verify that datasheets are current before placing orders. Information furnished by Intersil is believed to be accurate and reliable. However, no responsibility is assumed by Intersil or its subsidiaries for its use; nor for any infringements of patents or other rights of third parties which may result from its use. No license is granted by implication or otherwise under any patent or patent rights of Intersil or its subsidiaries.*

For information regarding Intersil Corporation and its products, see [www.intersil.com](http://www.intersil.com)

## Looking for pricing, stock, or lifecycle information?

Click below to explore more details on WIN SOURCE:

- ⊖ [View EL5170ISZ-T13 on WIN SOURCE](#)
- ⊖ [Renesas Electronics America](#) Information

## Optimize Your Supply Chain with WIN SOURCE Solutions

- ✓ Global Sourcing Solution
- ✓ Obsolete Management
- ✓ Cost Control Management
- ✓ Shortage Management
- ✓ Alternative Solution
- ✓ Excess Inventory Management