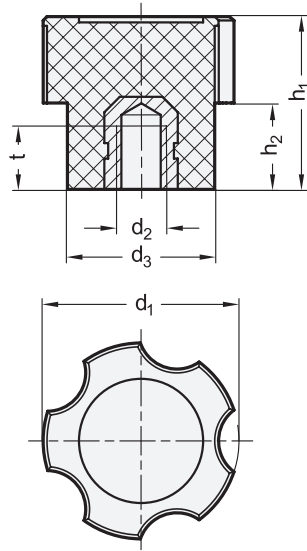




THE DATASHEET OF D560





Inch table

Dimensions in: inches - millimeters

¹ d ₁	² d ₂ Thread			d ₃	h ₁	h ₂	t
1.00 25.4	1/4 x 20	-	-	0.75 19.1	0.88 22.4	0.44 11.2	0.38 9.7
1.00 25.4	5/16 x 18	3/8 x 16	-	0.75 19.1	0.88 22.4	0.44 11.2	0.50 12.7
1.19 30.2	1/4 x 20	-	-	0.81 20.6	0.81 20.6	0.38 9.7	0.38 9.7
1.19 30.2	5/16 x 18	3/8 x 16	-	0.81 20.6	0.81 20.6	0.38 9.7	0.50 12.7
1.63 41.4	1/4 x 20	-	-	1.16 29.5	0.88 22.4	0.28 7.1	0.38 9.7
1.63 41.4	5/16 x 18	3/8 x 16	-	1.16 29.5	0.88 22.4	0.28 7.1	0.50 12.7
2.50 63.5	5/16 x 18	3/8 x 16	1/2 x 13	1.25 31.8	1.50 38.1	0.66 16.8	0.50 12.7

Specification

- Five-lobed knob
Phenolic plastic
 - Temperature resistant up to 300 °F (149 °C)
 - Black, shiny finish
- Tapped insert
Brass
- *Plastic Characteristics* → page 2135
- **RoHS compliant**

On request

- Additional thread sizes

Information



HK is an attractive five-lobed knob that can be used for a variety of clamping applications.

How to order ¹ ² HK-1.63-5/16X18	1	Handle diameter d ₁
	2	Thread d ₂

1.1
1.2
1.3
1.4
2.1
2.2
2.3
2.4

Looking for pricing, stock, or lifecycle information?

Click below to explore more details on WIN SOURCE:

-  [View D560 on WIN SOURCE](#)
-  [J.W. Winco Information](#)

Optimize Your Supply Chain with WIN SOURCE Solutions

-  Global Sourcing Solution
-  Obsolete Management
-  Cost Control Management
-  Shortage Management
-  Alternative Solution
-  Excess Inventory Management