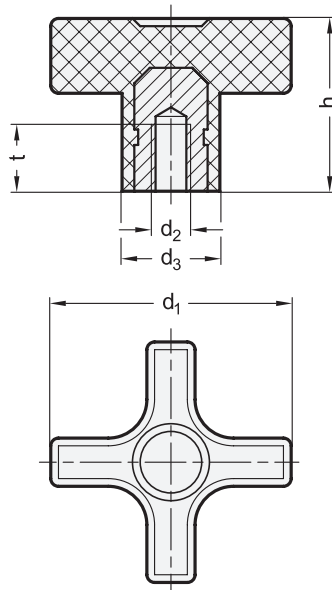




**THE DATASHEET OF  
D315**





**Inch table**

Dimensions in: inches - millimeters

<sup>1</sup> d <sub>1</sub>	<sup>2</sup> d <sub>2</sub> Thread			d <sub>3</sub>	h	t
1.25 31.8	10 x 32	1/4 x 20	-	0.50 12.7	0.88 22.4	0.38 9.7
1.50 38.1	1/4 x 20	-	-	0.63 16.0	1.00 25.4	0.38 9.7
1.50 38.1	5/16 x 18	3/8 x 16	-	0.63 16.0	1.00 25.4	0.50 12.7
2.00 50.8	1/4 x 20	5/16 x 18	3/8 x 16	0.88 22.4	1.00 25.4	0.50 12.7
3.00 76.2	5/16 x 18	-	-	0.88 22.4	1.13 28.7	0.50 12.7

**Specification**

- Hand knob d<sub>1</sub> = 1.50 / 2.00 / 3.00"  
Phenolic plastic
  - Temperature resistant up to 300 °F (149 °C)
  - Black, shiny finish
- Hand knob d<sub>1</sub> = 1.25"  
Nylon plastic
  - Temperature resistant up to 200 °F (93 °C)
  - Black, matte finish
- Tapped insert  
Brass
- *Plastic Characteristics* → page 2135
- **RoHS compliant**

**On request**

- Additional thread sizes


**Information**

FPK hand knobs are a popular choice for light duty finger tightening applications.  
 see also...  
 • *Hand Knobs FPKS (with Steel Threaded Stud)* → page 639

How to order <sup>1</sup> <sup>2</sup> <b>FPK-1.50-5/16X18</b>	<b>1</b> Handle diameter d <sub>1</sub>
	<b>2</b> Thread d <sub>2</sub>


## Looking for pricing, stock, or lifecycle information?

Click below to explore more details on WIN SOURCE:

 [View D315 on WIN SOURCE](#)

 [J.W. Winco Information](#)

## Optimize Your Supply Chain with WIN SOURCE Solutions

-  Global Sourcing Solution
-  Obsolete Management
-  Cost Control Management
-  Shortage Management
-  Alternative Solution
-  Excess Inventory Management