



**THE DATASHEET OF
CD2320-B1600**



Copy

Fax

PORTNOTE[®] SOLUTIONS

RJ11 Fax/Modem (FXO)

Solution Products



TISP4350T3BJR-S



B1250T



CD2320-B1600

Design Kit



PN-DESIGNKIT 8

Objective

In telecommunications, foreign exchange office (FXO) designates a telephone signaling interface that receives plain old telephone service (POTS). This solution protects those interfaces against surge and power contact threats.

Solution

- 1 Thyristor: TISP4350T3BJR-S
- 1 Telecom Fuse: B1250T
- 1 Diode Bridge: CD2320-B1600

Compliance

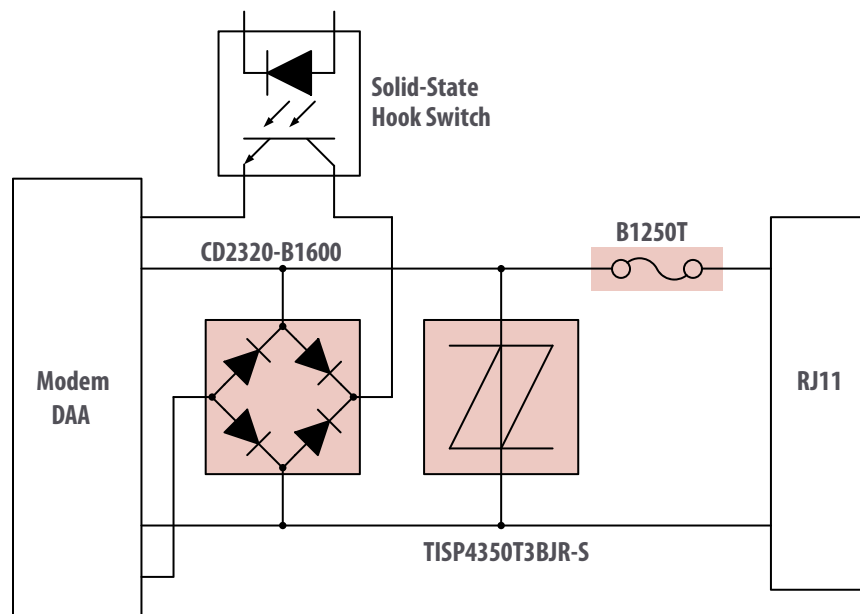
ITU-T K.21, IEC 60950, UL 60950 and TIA-968A

Alternate Recommendations

The TISP4310T3 should be considered for some "B" type ringers or for ITU-T Enhanced testing; consult with your local Bourns representative.

Benefit

This solution provides a high level of protection within a small amount of PCB area.



The schematic above illustrates the application protection and does not constitute the complete circuit design. Customers should verify actual device performance in their specific applications.

BOURNS[®]

Americas: Tel +1-951 781-5500
Fax +1-951 781-5700

Europe: Tel +41-(0)41 768 55 55
Fax +41-(0)41 768 55 10

Asia-Pacific: Tel +886-2 256 241 17
Fax +886-2 256 241 16

Bourns[®] PortNote[®] solutions provide protection recommendations for typical port threats.



For more information, go to:

www.bourns.com

or email: protection@bourns.com

Looking for pricing, stock, or lifecycle information?

Click below to explore more details on WIN SOURCE:

-  [View CD2320-B1600 on WIN SOURCE](#)
-  [Bourns Inc. Information](#)

Optimize Your Supply Chain with WIN SOURCE Solutions

-  Global Sourcing Solution
-  Obsolete Management
-  Cost Control Management
-  Shortage Management
-  Alternative Solution
-  Excess Inventory Management