



THE DATASHEET OF BA/BG2-48





Features & Options

- Prevents Tampering, Damage and Unauthorized Adjustment
- Exceptional Airflow for Proper Thermostat Operation
- Made from Thick, Durable Polycarbonate
- Key Lock Protected
- Low Profile Design with Two Sizes to Fit Most Thermostats
- Horizontal or Vertical Mounting with Hardware Included

The BAPI-Guard prevents tampering, physical damage and unauthorized adjustment of thermostats. The attractive design is available in two sizes to fit most thermostats.

The BAPI-Guard is made of thick, durable polycarbonate and features exceptional airflow, key lock protection, horizontal or vertical mounting and easy installation with hardware included.



BAPI-Guard 2 Mounted Over a BAPI-Stat “Quantum” Sensor

Ordering Information

| <u>Part Number</u> | <u>Description</u> | <u>List Price</u> |
|--------------------|---------------------------------------------------------------------------------|-------------------|
| BA/BG..... | Larger BAPI-Guard Thermostat Protector..... | \$45 |
| BA/BG2..... | Smaller BAPI-Guard 2 Thermostat Protector..... | \$35 |
| BA/KEY16187..... | Replacement Key for BAPI-Guard and BAPI-Guard 2 (*Net Price, no multiplier).... | \$2* |

Submittal datasheets without List Prices are available on our website at www.bapihvac.com

Specifications

Material: Polycarbonate

Material Rating: UL94 V-0

The BAPI-Guard fits these common thermostats

BAPI-Stat “Quantum Prime”
 Honeywell T7300, T7350, T7560, T7770 and
 T7790 Series
 Johnson Controls Metastat

The BAPI-Guard 2 fits these common thermostats

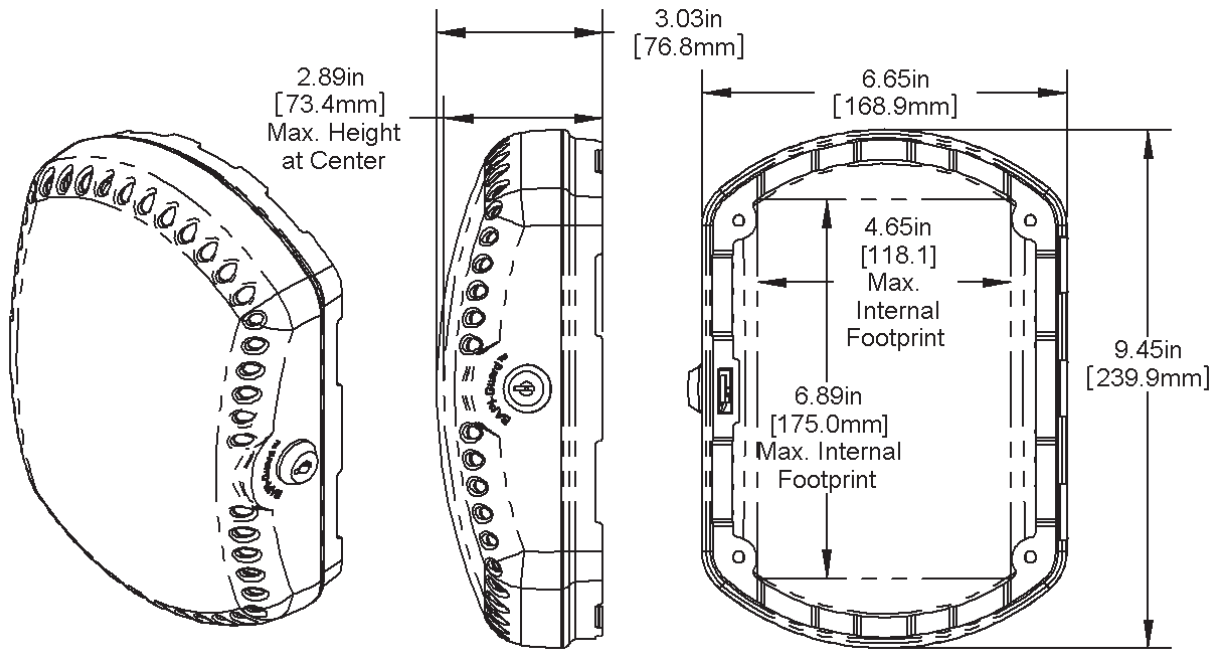
Delta Style Enclosure
 BAPI-Stat “Quantum”
 Automated Logic RS Series
 York Zone Sensor
 Invensys MN series

If you have a question about whether a model will fit a specific thermostat, please call BAPI.

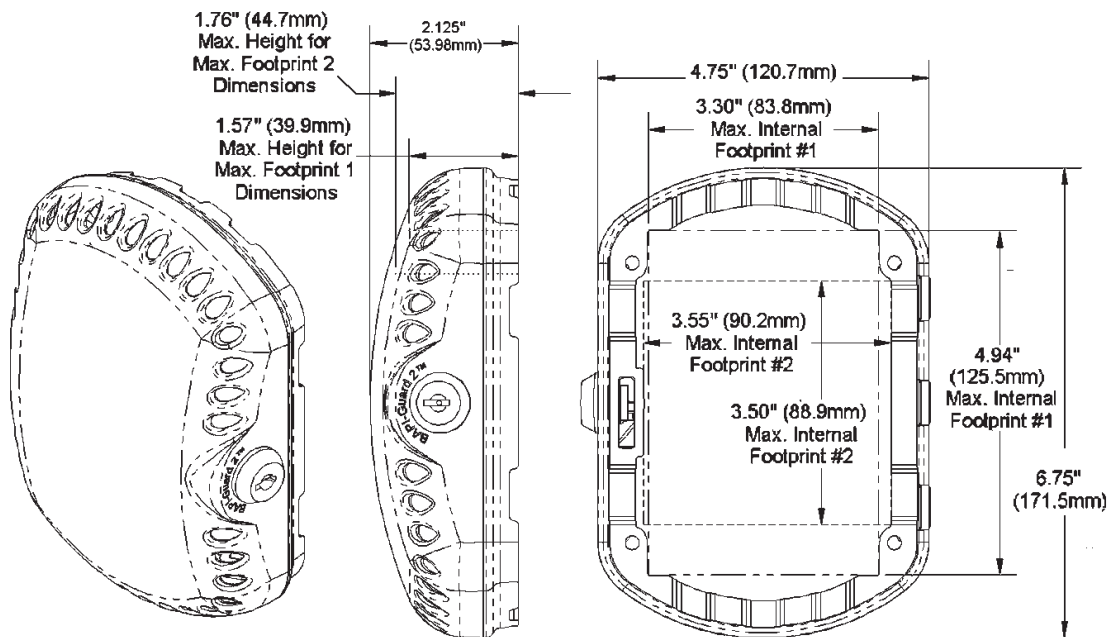




Dimensions



BAPI-Guard



BAPI-Guard 2



Looking for pricing, stock, or lifecycle information?

Click below to explore more details on WIN SOURCE:

 [View BA/BG2-48](#) on WIN SOURCE

 [BAPI Information](#)

Optimize Your Supply Chain with WIN SOURCE Solutions

-  Global Sourcing Solution
-  Obsolete Management
-  Cost Control Management
-  Shortage Management
-  Alternative Solution
-  Excess Inventory Management