

XDSL SPLITTER FILTER MODULE



- Low cost ISDN Central Office Splitter for ADSL applications
- Designed to meet ETSI specification TS101-952-1-3*
- LPF matched to 135Ω line impedance for ISDN 2B1Q applications
- Module is part of a standard series which has footprint compatibility
- ADSL2+ compatible
- NL version: RoHS-6 compliant

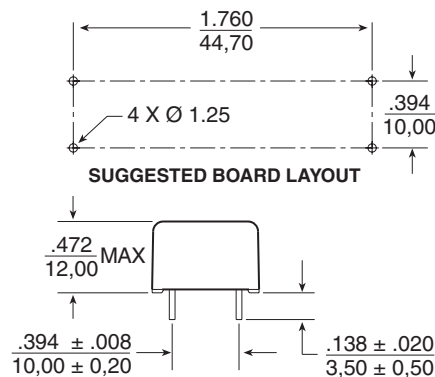
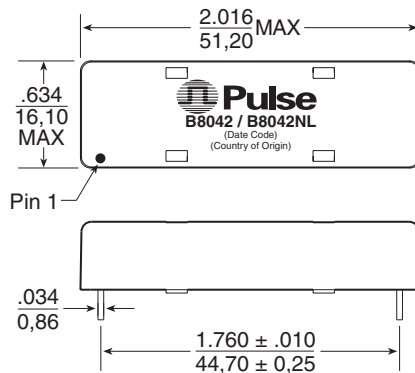
Electrical Specifications @ 25°C — Operating Temperature -20°C to +85°C

PARAMETER	FREQUENCY	
ISDN Impedance	1.0kHz to 80kHz	135Ω NOM
ISDN Insertion Loss	1.0kHz to 40kHz	-0.8dB MAX
	40kHz to 80kHz	-2.0dB MAX
ISDN Return Loss*	1.0kHz to 40kHz	-16dB MIN
	40kHz to 80kHz	-12dB MIN
ISDN Group Delay	1.0kHz to 80kHz	20μs MAX
Longitudinal Balance	300Hz to 30kHz	-30dB MIN
ADSL Insertion Loss	150kHz to 2.2MHz	-65dB MIN
DC Current		60mA MAX
Total DC Resistance		12.5Ω MAX
<i>For Information - behavior at VDSL frequencies:</i>	2.2MHz to 12MHz	-45dB MIN
ADSL Insertion Loss	12MHz to 30MHz	-30dB MIN

*NOTE: Exception - Typical Return Loss meets published ETSI specification TS101-952-1-3.

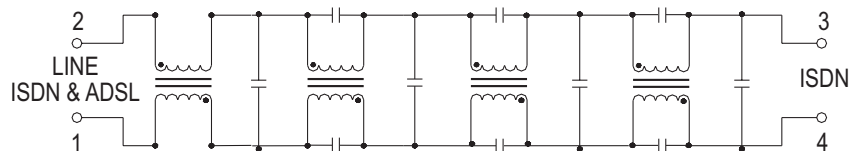
Mechanical

B8042 / B8042NL



Weight11 grams
 Tray35/tray
 Dimensions: Inches
 mm
 Unless otherwise specified,
 all tolerances are ± .010
 0,25

Schematic



For More Information:

Pulse Worldwide Headquarters 12220 World Trade Dr. San Diego, CA 92128 U.S.A. www.pulseeng.com Tel: 858 674 8100 Fax: 858 674 8262	Pulse Europe Einsteinstrasse 1 D-71083 Herrenberg Germany Tel: 49 7032 7806 116 Fax: 49 7032 7806 135	Pulse China Headquarters B402, Shenzhen Tech-Innovation International Tenth Kejinan Rd. High-Tech Industrial Park Nanshan District, Shenzhen China Tel: 86 755 33966678 Fax: 86 755 33966700	Pulse North China Room 1503 XinYin Building No. 888 YiShan Rd. Shanghai 200233 China Tel: 86 21 54643211/2 Fax: 86 21 54643210	Pulse South Asia 150 Kampong Ampat #07-01/02 KA Centre Singapore 368324 Tel: 65 6287 8998 Fax: 65 6280 0080	Pulse North Asia No. 26 Kao Ching Rd. Yang Mei Chen Taoyuan Hsien Taiwan, R. O. C. Tel: 886 3 4641811 Fax: 886 3 4641911
---	---	---	--	--	--

Performance warranty of products offered on this data sheet is limited to the parameters specified. Data is subject to change without notice. Other brand and product names mentioned herein may be trademarks or registered trademarks of their respective owners.


© Copyright, 2007. Pulse Engineering, Inc. All rights reserved.

www.pulseeng.com

B815.C (8/07)

Looking for pricing, stock, or lifecycle information?

Click below to explore more details on WIN SOURCE:

 [View B8042 on WIN SOURCE](#)

 [Pulse Information](#)

Optimize Your Supply Chain with WIN SOURCE Solutions

-  Global Sourcing Solution
-  Obsolete Management
-  Cost Control Management
-  Shortage Management
-  Alternative Solution
-  Excess Inventory Management