



# THE DATASHEET OF AUIRS2123S



# High Voltage ICs

## HIGH SIDE DRIVER IC

### AUIRS2123S/AUIRS2124S

#### Features

- Floating channel designed for bootstrap operation
- Fully operational to +600 V
- Tolerant to negative transient voltage – dV/dt immune
- Gate drive supply range from 10 V to 20 V
- Undervoltage lockout
- CMOS Schmitt-triggered inputs with pull-down (AUIRS2123S)
- CMOS Schmitt-triggered inputs with pull-up (AUIRS2124S)
- Output in phase with input (AUIRS2123S) or out of Phase with input (AUIRS2124S)
- RESET- input is 3.3V and 5V logic compatible (AUIRS2123S only)
- Leadfree, RoHS compliant
- Automotive qualified

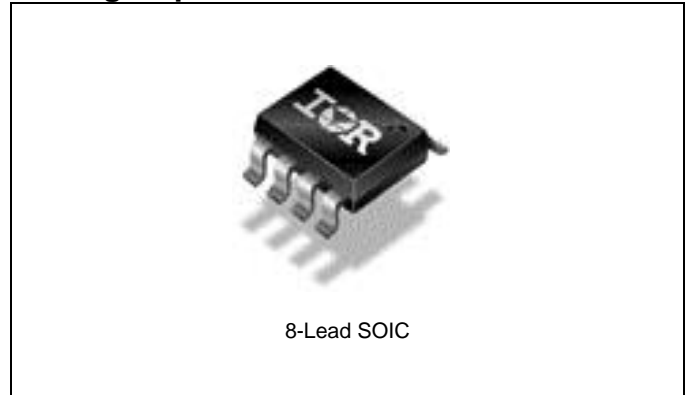
#### Typical Applications

- General purpose single high side driver
- Automotive injection
- Automotive inverters
- Automotive SMPS

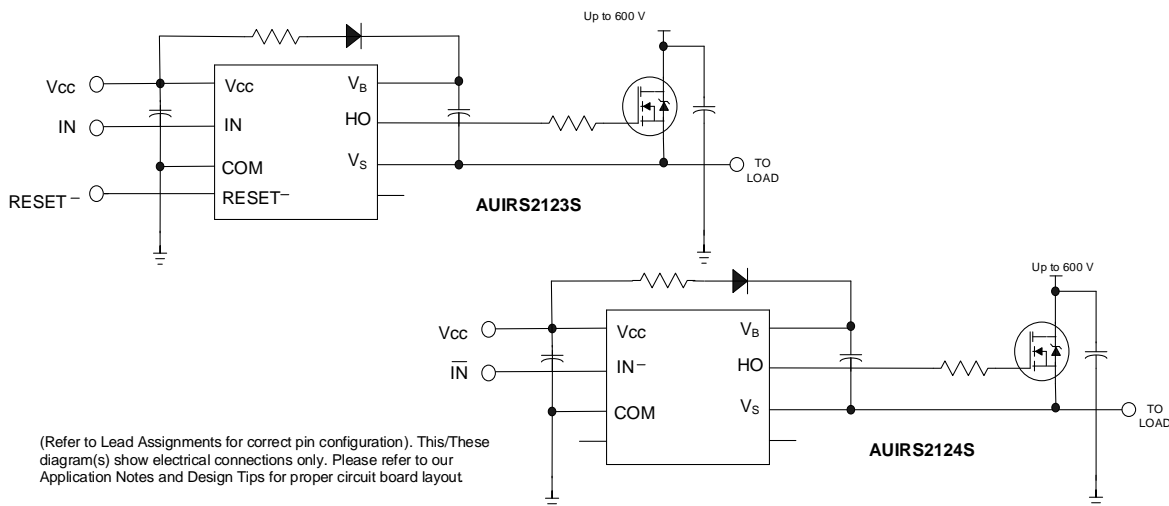
#### Product Summary

Topology	Single high side
$V_{\text{OFFSET}}$	$\leq 600 \text{ V}$
$V_{\text{OUT}}$	10 V – 20 V
$I_{\text{O+}} \& I_{\text{O-}}$ (typical)	500 mA
$t_{\text{ON}} \& t_{\text{OFF}}$ (typical)	140 ns & 140 ns

#### Package Options



#### Typical Connection Diagram



**Ordering Information**

Base Part Number	Package Type	Standard Pack		Complete Part Number
		Form	Quantity	
AUIRS2123S	SOIC8	Tape and Reel	2500	AUIRS2123STR
AUIRS2124S	SOIC8	Tape and Reel	2500	AUIRS2124STR

<b>Table of Contents</b>	<b>Page</b>
Description	3
Qualification Information	4
Absolute Maximum Ratings	4
Recommended Operating Conditions	5
Static Electrical Characteristics	6
Dynamic Electrical Characteristics	7
Functional Block Diagram	8
Input/Output Pin Equivalent Circuit Diagram	9
Lead Definitions	10
Lead Assignments	10
Application Information and Additional Details	11
Parameter Temperature Trends	12
Package Details	16
Tape and Reel Details	17
Part Marking Information	18
Publisher notes	

**Description**

The AUIRS2123S/AUIRS2124S are high voltage, high speed power MOSFET and IGBT drivers. Proprietary HVIC and latch immune CMOS technologies enable ruggedized monolithic construction. The RESET- input is compatible with standard CMOS outputs (AUIRS2123S only). The output drivers feature a high pulse current buffer stage designed for minimum cross-conduction. The floating channel can be used to drive an N-channel power MOSFET or IGBT in the high-side configuration which operates up to 600 V.

**Qualification Information**

<b>Qualification Level</b>		Automotive (per AEC-Q100)	
		Comments: This family of ICs has passed an Automotive qualification. IR's Industrial and Consumer qualification level is granted by extension of the higher Automotive level.	
<b>Moisture Sensitivity Level</b>		SOIC8	MSL3 - 260°C (per IPC/JEDEC J-STD-020)
<b>ESD</b>	Machine Model	Class M3 (per AEC-Q100-003)	
	Human Body Model	Class H1C (per AEC-Q100-002)	
	Charged Device Model	Class C5 (per AEC-Q100-011)	
<b>IC Latch-Up Test</b>		Class II, Level A (per AEC-Q100-004)	
<b>RoHS Compliant</b>		Yes	

### Absolute Maximum Ratings

Absolute Maximum Ratings indicate sustained limits beyond which damage to the device may occur. All voltage parameters are absolute voltages referenced to GND, all currents are defined positive into any lead. This is a stress only rating and operation of the device at these or any conditions exceeding those indicated in the operational sections of this specification is not implied

Symbol	Definition	Min.	Max.	Units
$V_{BS}$	High Side Floating Supply Voltage	-0.3	25	V
$V_B$	High Side Driver Output Stage Voltage	-0.3	625	V
$V_S$	High Side Floating Supply Offset Voltage	$V_B - 25$	$V_B + 0.3$	V
$V_{Ho}$	Output Voltage Gate Connection	$V_S - 0.3$	$V_B + 0.3$	V
$V_{CC}$	Supply Voltage	-0.3	25	V
$V_{IN}$	Input Voltage	-0.3	$V_{CC} + 0.3$	V
$V_{RES}$	Reset Input Voltage	-0.3	$V_{CC} + 0.3$	V
dV/dt	Allowable Offset Voltage Slew Rate	-50	50	V/nsec
$T_J$	Junction Temperature	-55	150	°C
$T_S$	Storage Temperature	-55	150	

### Recommended Operating Conditions

For proper operations the device should be used within the recommended conditions.

Symbol	Definition	Min.	Max.	Units
$V_B$	High Side Driver Output Stage Voltage -10V Transient 0.4 us	$V_S + 10$	$V_S + 20$	V
$V_S$	High Side Floating Supply Offset Voltage -25V Transient 0.4 $\mu$ s	†	600	V
$V_{Ho}$	Output Voltage Gate Connection	$V_S$	$V_B$	V
$V_{CC}$	Supply Voltage	10	20	V
$V_{IN}$	Input Voltage	0	$V_{CC}$	V
$V_{RES}$	Reset Input Voltage	0	$V_{CC}$	V
$T_A$	Ambient Temperature ( $f_s < 60\text{kHz}$ , $V_{BS} = 14\text{V}$ , $C_{load} = 2.5\text{nF}$ , $R = 50\text{Ohm}$ )	-40	125	°C

† Logic operational for  $V_S$  of -5 to +600 V. Logic state held for  $V_S$  of -5 V to  $-V_{BS}$ .  
(Please refer to the Design Tip DT97-3 for more details).

**Static Electrical Characteristics**

$V_{BIAS}$  ( $V_{CC}$ ,  $V_{BS}$ ) = 15 V and  $T_A$  = 25°C unless otherwise specified. The  $V_{IL}$ ,  $V_{IH}$  and  $I_{IN}$  parameters are referenced to COM. The  $V_O$  and  $I_O$  parameters are referenced to COM and are applicable to the respective output leads: HO and LO.

Symbol	Definition		Min	Typ	Max	Units	Test Conditions		
$V_{IHIN}$	IN Logic "1" input voltage	AUIRS2123S	0.70	—	—	V			
	IN Logic "0" input voltage	AUIRS2124S	* $V_{CC}$	—	—				
$V_{ILIN}$	IN Logic "0" input voltage	AUIRS2123S	—	—	0.35				
	IN Logic "1" input voltage	AUIRS2124S	—	—	* $V_{CC}$				
$V_{IHRST}$	RESET- Logic "1" input voltage	AUIRS2123S	—	—	1.5				
$V_{ILRST}$	RESET- Logic "0" input voltage	AUIRS2123S	2.9	—	—				
$V_{OH}$	High level output voltage, $V_{BIAS} - V_O$		—	—	2			$I_O = 10$ mA	
$V_{OL}$	Low level output voltage, $V_O$		—	0.1	0.2				
$I_{LK}$	Offset supply leakage current		—	—	50			$\mu$ A	$V_B = V_S = 600$ V
$I_{QBS}$	Quiescent $V_{BS}$ supply current		—	—	240				$V_{IN} = 0$ V or $V_{CC}$
$I_{QCC}$	Quiescent $V_{CC}$ supply current		—	—	500	$V_{reset} = 5$ V			
$I_{IN+}$	$V_{IN} = 5$ V Pull Down Input Current	AUIRS2123S	—	125	—	$V_{IN} = 5$ V			
	$V_{IN} = 0$ V IN Pull Up Input Current	AUIRS2124S				$V_{IN} = 0$ V			
$I_{IN-}$	$V_{IN} = 0$ V IN Pull Down Input Current	AUIRS2123S	—	—	5.0	$V_{IN} = 15$ V			
	$V_{IN} = 15$ V Pull Up Input Current	AUIRS2124S							
$I_{RES-}$	$V_{RESET} = 5$ V Pull Down Input Current	AUIRS2123S	—	125	—	$V_{RESET} = 5$ V			
$I_{RES+}$	$V_{RESET} = 0$ V Pull Down Input Current	AUIRS2123S	—	—	5.0	$V_{RESET} = 0$ V			
$V_{BSUV+}$	$V_{BS}$ supply undervoltage positive going threshold		7.2						
$V_{BSUV-}$	$V_{BS}$ supply undervoltage negative going threshold		6.6	8.0	9.0				
$V_{CCUV+}$	$V_{CC}$ supply undervoltage positive going threshold		7.2	8.6	9.6				
$V_{CCUV-}$	$V_{CC}$ supply undervoltage negative going threshold		6.6	8.0	9.0				
$I_{O+}$	Output high short circuit pulsed current (†)		250	500	—	mA	$V_O = 0$ V, $V_{IN} =$ Logic "1" $PW \leq 10$ $\mu$ s		
$I_{O-}$	Output low short circuit pulsed current(†)		250	500	—		$V_O = 15$ V, $V_{IN} =$ Logic "0" $PW \leq 10$ $\mu$ s		

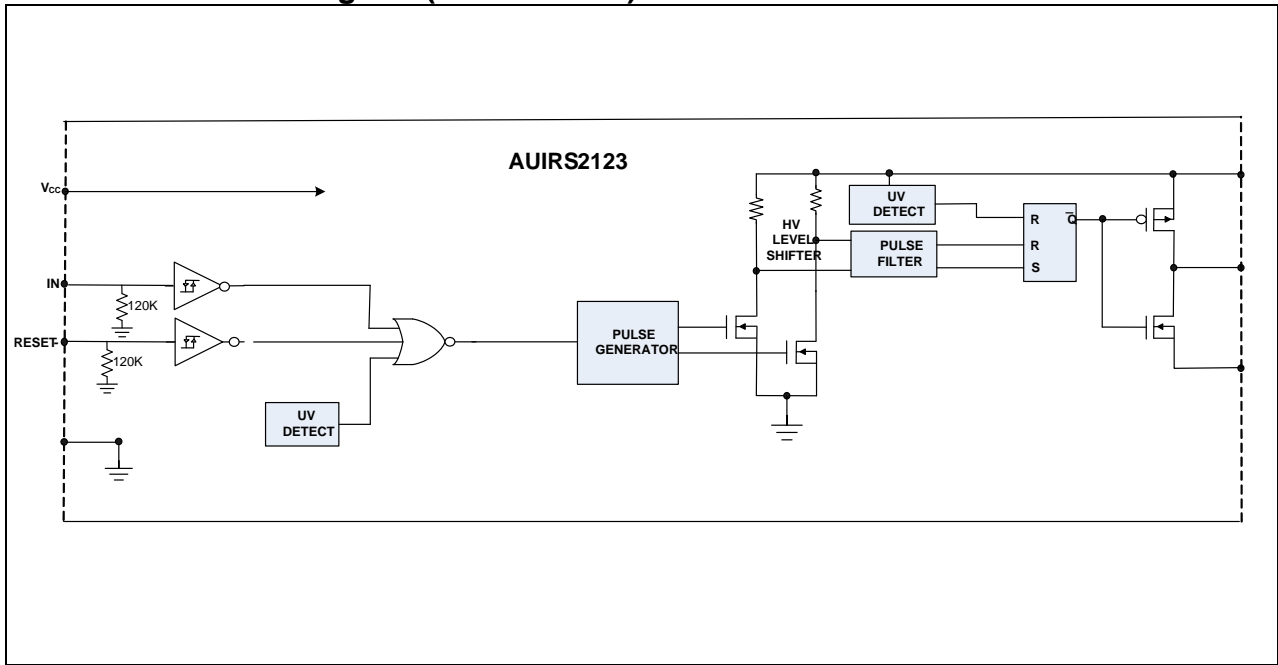
(†) : guaranteed by design.

**Dynamic Electrical Characteristics**

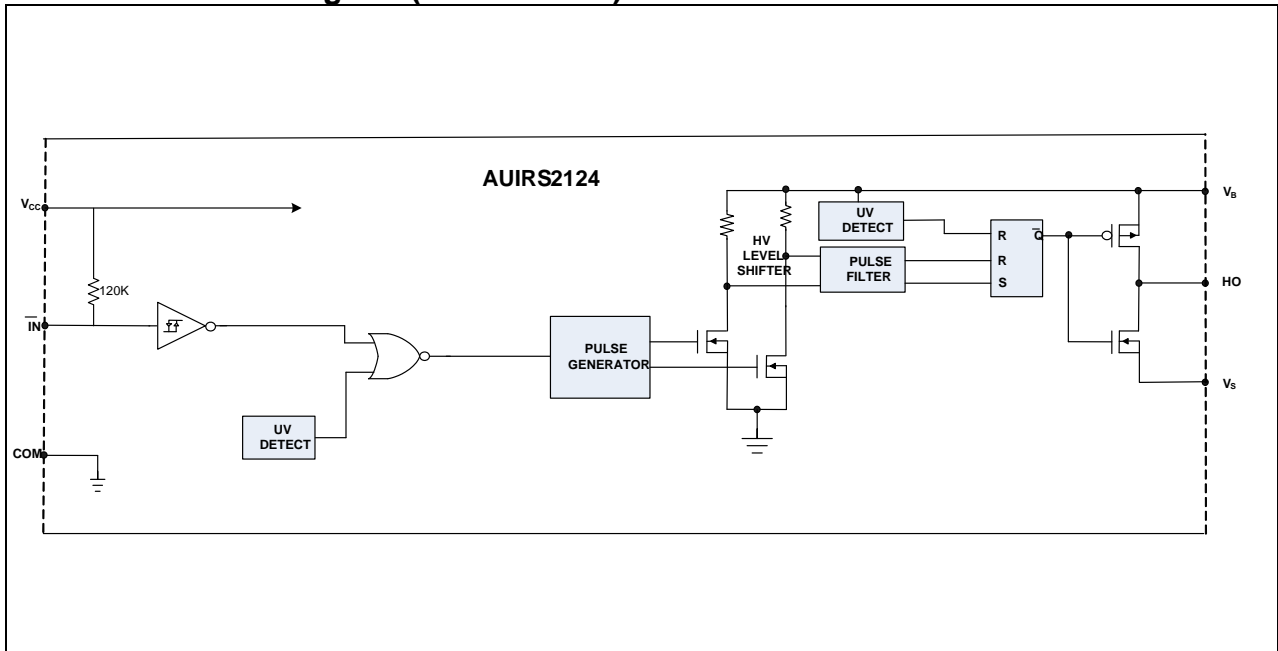
$V_{BIAS}$  ( $V_{CC}$ ,  $V_{BS}$ ) = 15 V,  $C_L$  = 1000 pF,  $T_A$  = 25°C unless otherwise specified. The dynamic electrical characteristics are measured using the test circuit shown in Fig. 3.

Symbol	Definition	Min	Typ	Max	Units	Test Conditions
$t_{on}$	Turn-on propagation delay	—	140	240	ns	$V_S = 0$ V and $V_S = 600$ V
$t_{off}$	Turn-off propagation delay	—	140	240		
$t_r$	Turn-on rise time	—	80	200		
$t_f$	Turn-off fall time	—	80	200		
$t_{RES}$	RESET to output turn off propagation delay (AUIRS2123S only)	—	170	300		

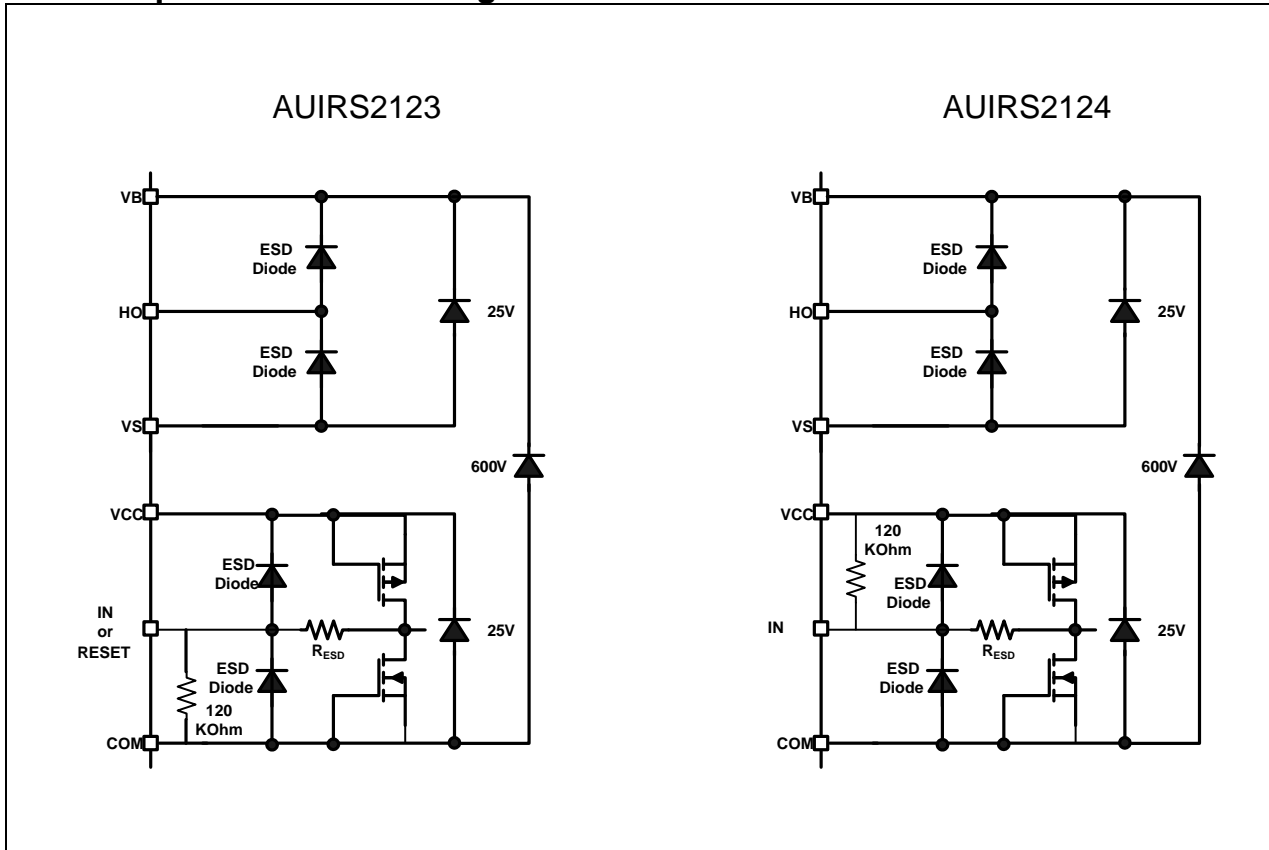
**Functional Block Diagram (AUIRS2123S)**



**Functional Block Diagram (AUIRS2124S)**

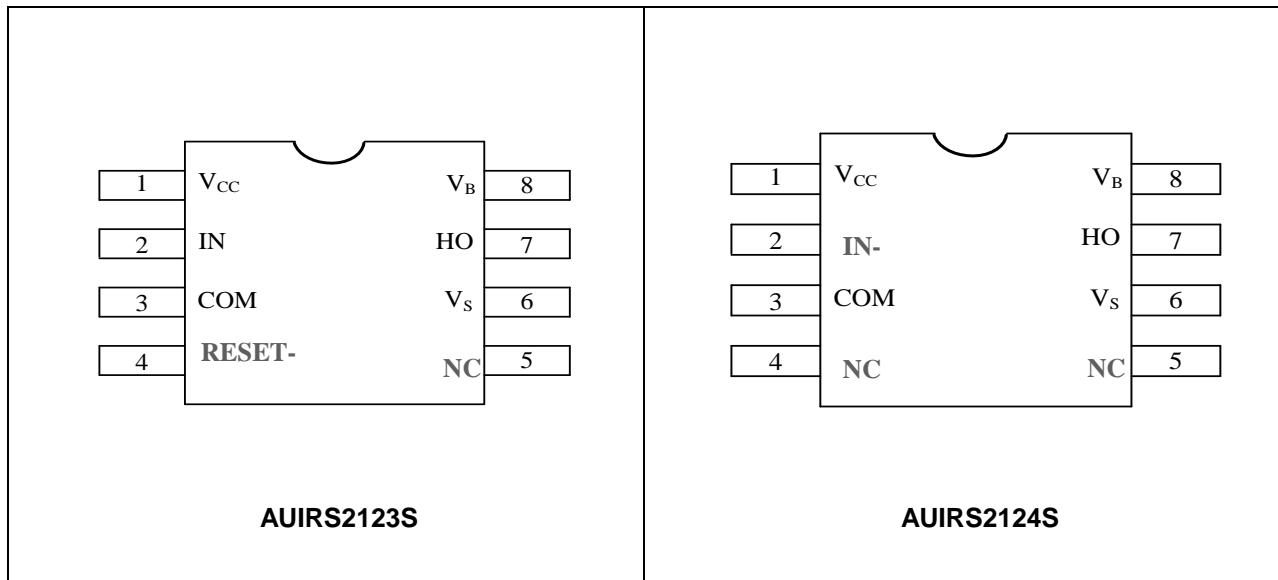


**I/O Pin Equivalent Circuit Diagram**



**Lead Definitions**

Pin	Symbol	Pin description
1	V <sub>CC</sub>	Low side and logic fixed supply
2	IN IN-	Logic input for gate driver output (HO), in phase with HO (AUIRS2123S) Logic input for gate driver output (HO), out of phase with HO (AUIRS2124S)
3	COM	Logic Ground
4	RESET- NC	Driver Enable Signal Input (negative logic) (AUIRS2123S) No connection (AUIRS2124S)
5	NC	No connection
6	V <sub>S</sub>	High-side floating supply return
7	H <sub>O</sub>	High-side gate drive output
8	V <sub>B</sub>	High-side floating supply



### Application Information and Additional Details

AUIRS2123S logic table for  $V_{CC}$ ,  $V_{BS}$ , RESET, IN, and  $H_o$

$V_{CC}$	$V_{BS}$	RESET-	IN	$H_o$
X	X	X	LOW	OFF
X	X	LOW	X	OFF
< $V_{CCUVLO-}$	X	X	X	OFF
X	< $V_{BSUVLO-}$	X	X	OFF
> $V_{CCUVLO+}$	> $V_{BSUVLO+}$	HIGH	HIGH	ON

RESET = HIGH indicates that high side NMOS is allowed to be turned on.

RESET = LOW indicates that high side NMOS is OFF.

IN = HIGH indicates that high side NMOS is on.

IN = LOW indicates that high side NMOS is off.

X = independent

AUIRS2124S logic table for  $V_{CC}$ ,  $V_{BS}$ , RESET, IN, and  $H_o$

$V_{CC}$	$V_{BS}$	IN-	$H_o$
X	X	HIGH	OFF
< $V_{CCUVLO-}$	X	X	OFF
X	< $V_{BSUVLO-}$	X	OFF
> $V_{CCUVLO+}$	> $V_{BSUVLO+}$	LOW	ON

IN- = HIGH indicates that high side NMOS is on.

IN- = LOW indicates that high side NMOS is off.

X = independent

**Parameter Temperature Trends**

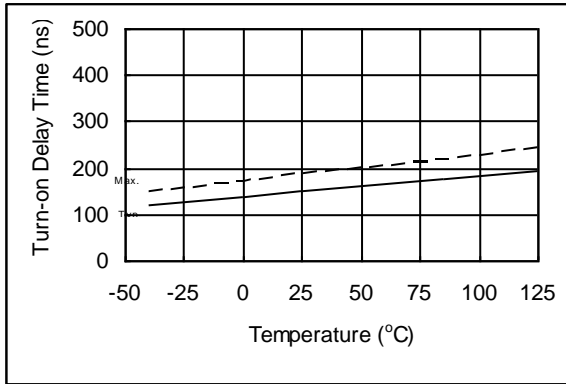


Figure 1A. Turn-on Delay Time vs. Temperature

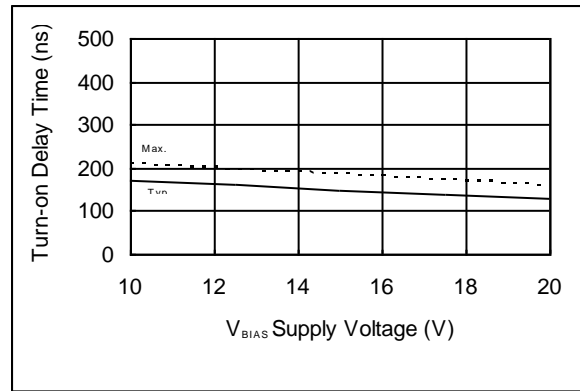


Figure 1B. Turn-on Delay Time vs. Supply Voltage

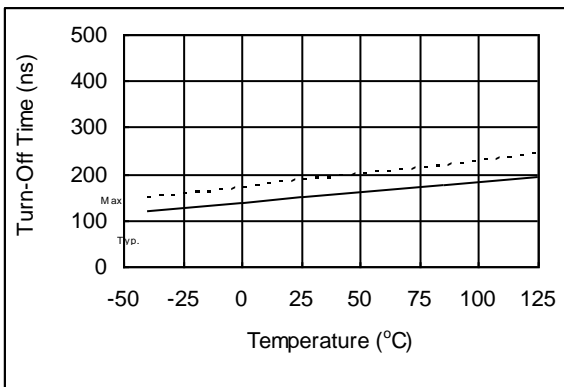


Figure 2A. Turn-Off Time vs. Temperature

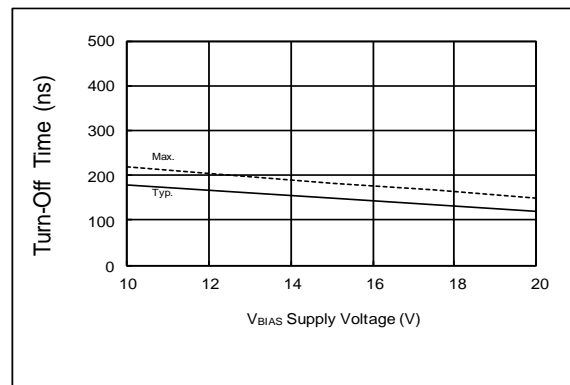


Figure 2B. Turn-Off Time vs. Supply Voltage

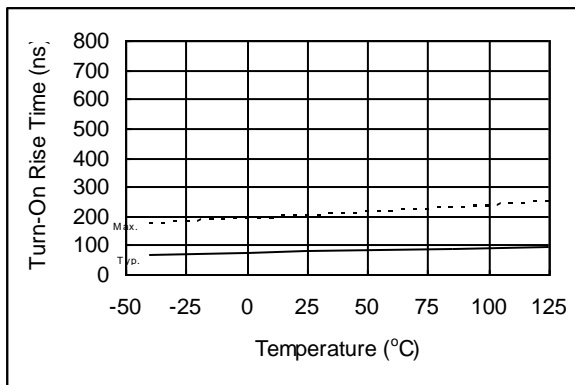


Figure 3A. Turn-On Rise Time (VBS=17V) vs. Temperature

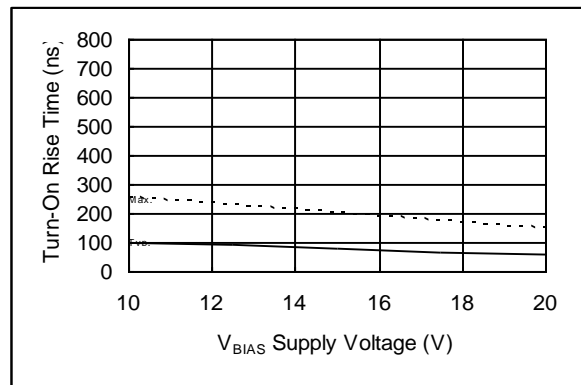


Figure 3B. Turn-On Rise Time (VBS=17V) vs. Supply Voltage

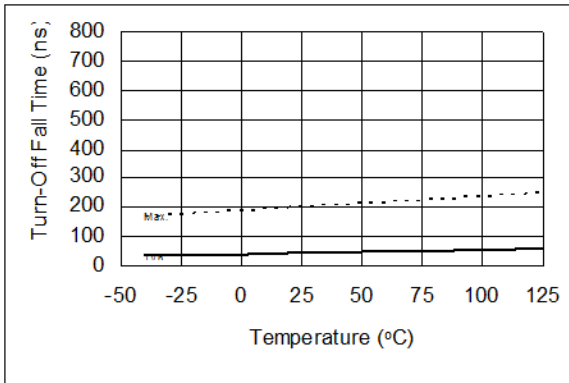


Figure 4A. Turn-Off Fall Time (VBS=17V) vs. Temperature

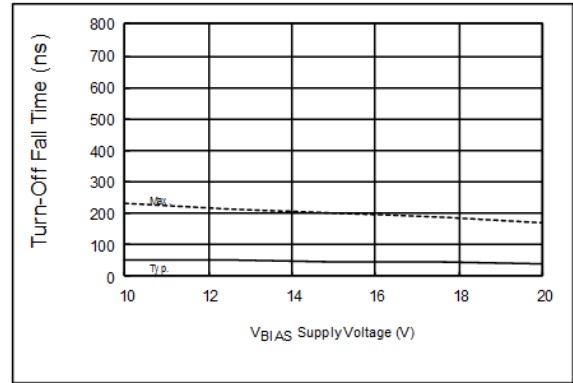


Figure 4B. Turn-Off Fall Time (VBS=17) vs. Supply Voltage

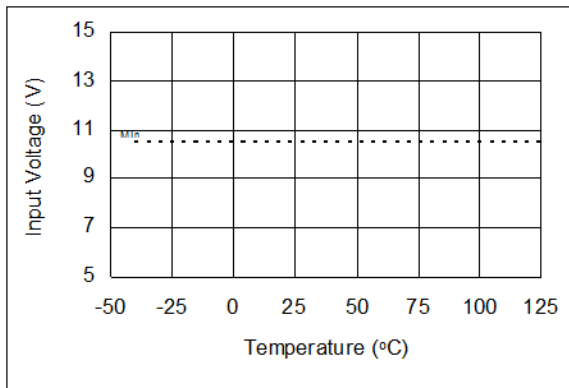


Figure 5A. Logic "1" Input Voltage vs. Temperature

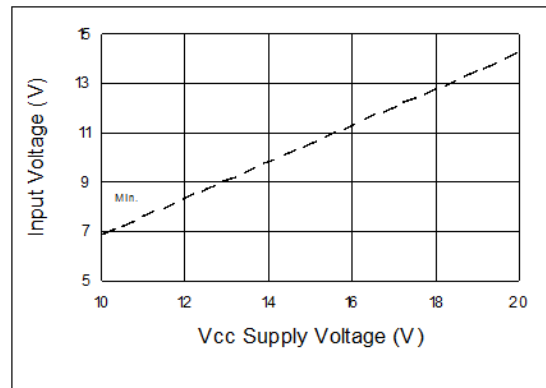


Figure 5B. Logic "1" Input Voltage vs. Supply Voltage

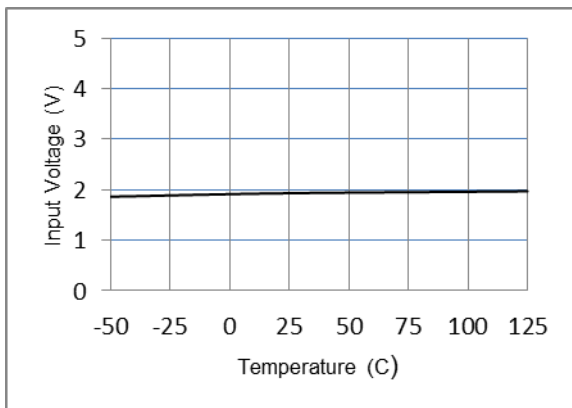


Figure 5C. Logic "1" Input Voltage ( RESET pin ) versus Temperature

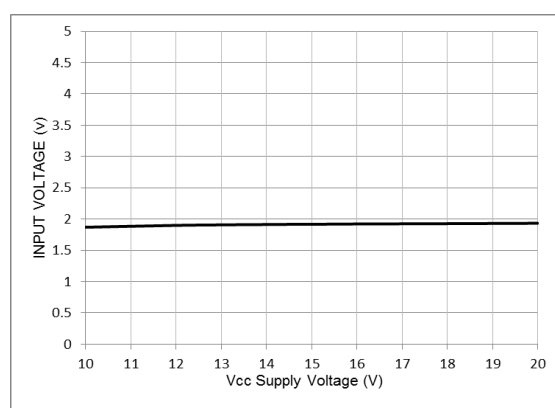


Figure 5D. Logic "1" Input Voltage ( RESET pin ) versus Supply Voltage

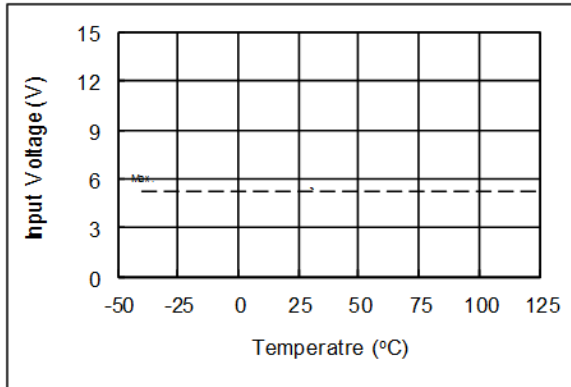


Figure 6A. Logic "0" Input Voltage vs. Temperature

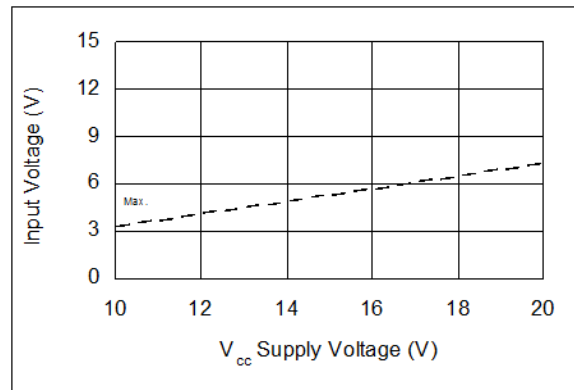


Figure 6B. Logic "0" Input Voltage vs. Supply Voltage

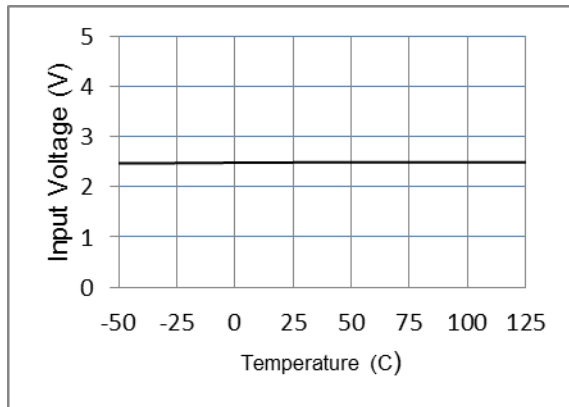


Figure 6C. Logic "0" Input Voltage (RESET pin) versus Temperature

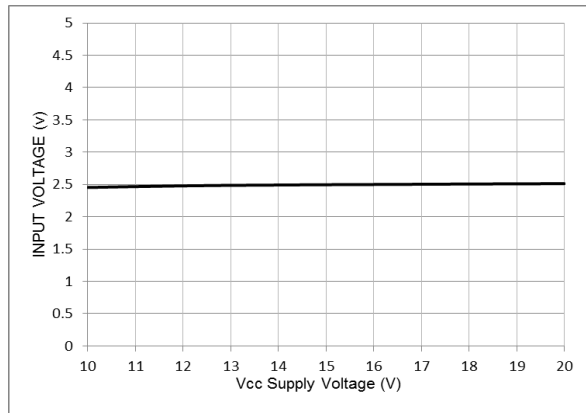


Figure 6D. Logic "0" Input Voltage (RESET pin) versus Supply Voltage

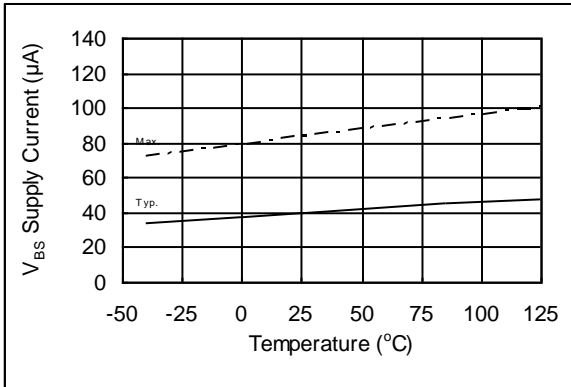


Figure 7A. VBS Supply Current vs. Temperature

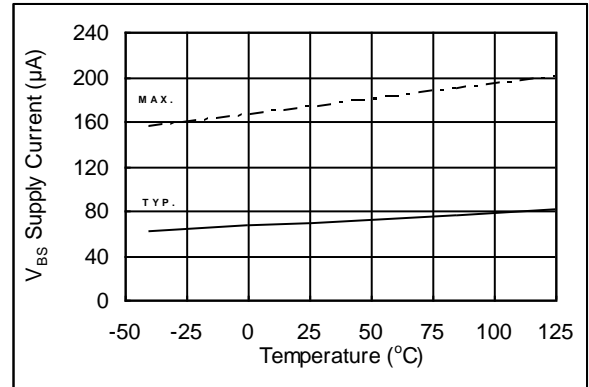


Figure 8A. VBS Supply Current vs. Temperature

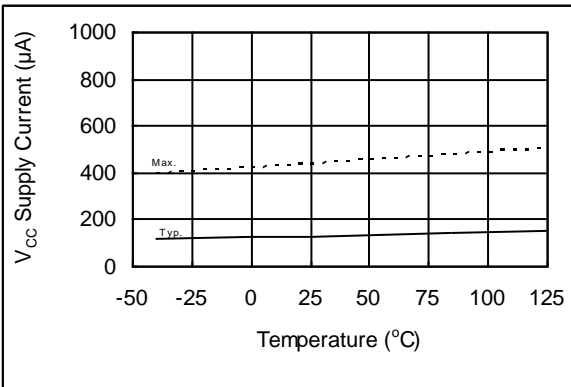


Figure 9A. Vcc Supply Current vs. Temperature

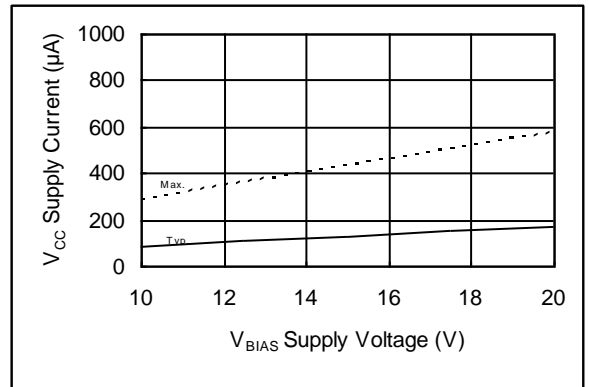


Figure 9B. Vcc Supply Current vs. Supply Voltage

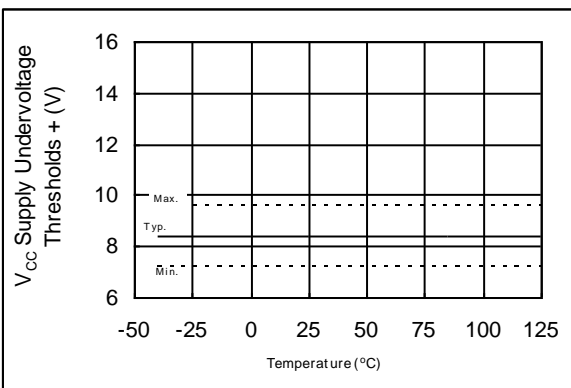


Figure 10A. Vcc Supply Undervoltage Threshold (+) vs. Temperature

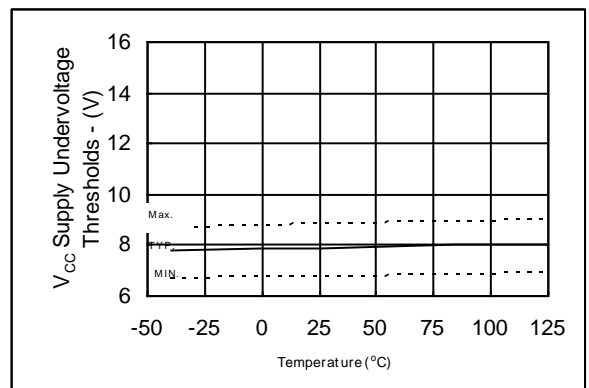


Figure 10B. Vcc Supply Undervoltage Threshold (-) vs. Temperature

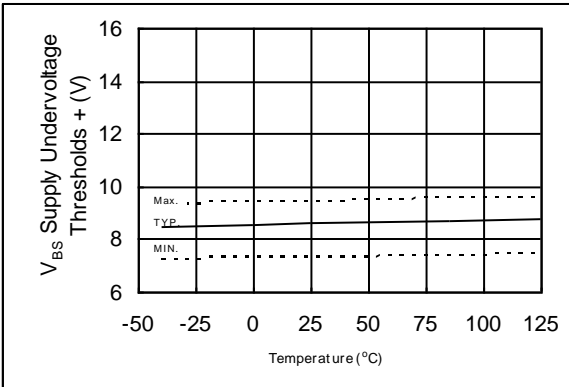


Figure 11A. VBS Supply Undervoltage Threshold (+) vs. Temperature

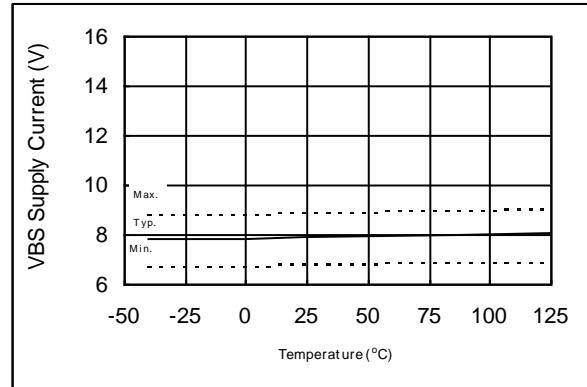


Figure 11B. VBS Supply Undervoltage Threshold (-) vs. Temperature

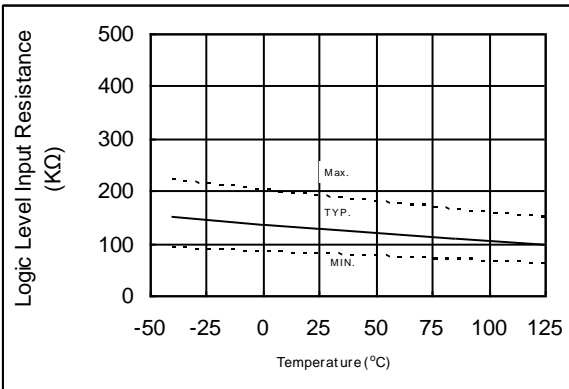


Figure 12. Logic Level Input Resistance vs. Temperature

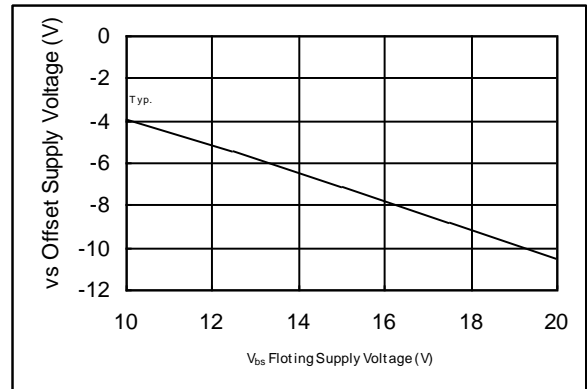
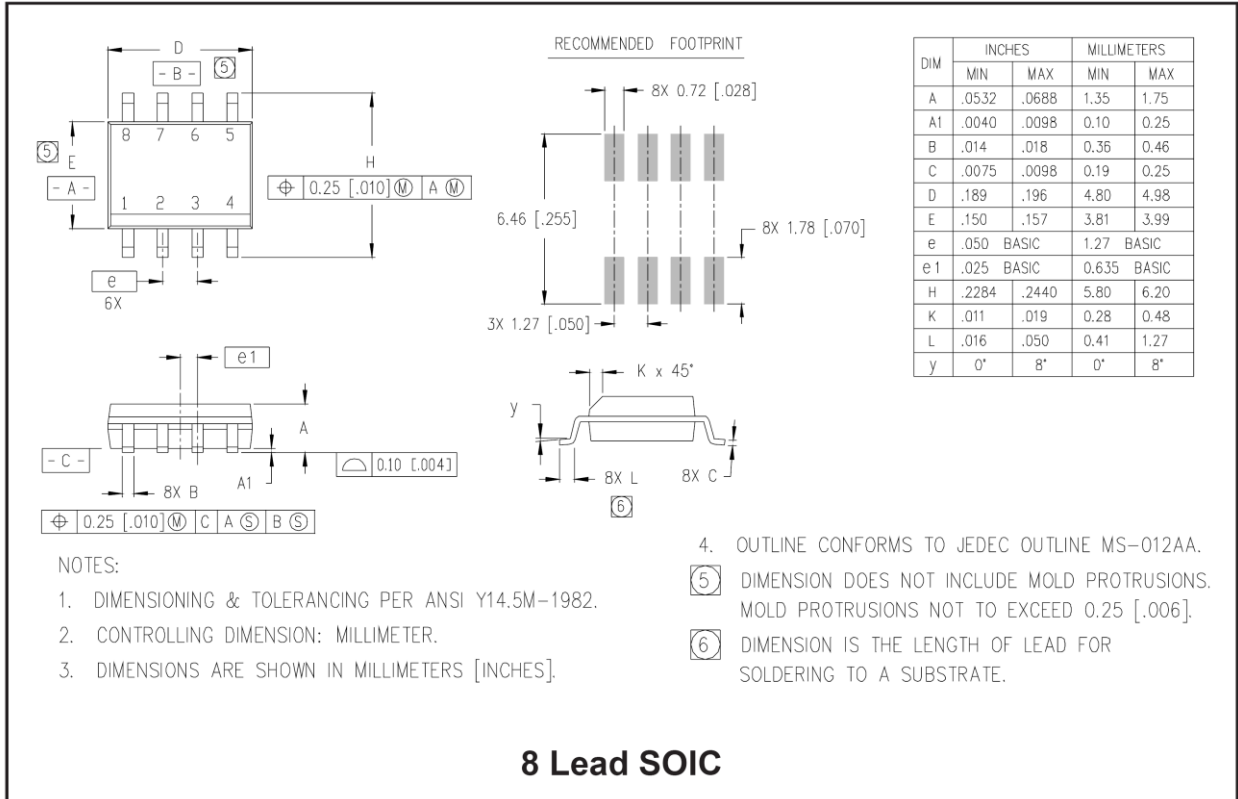
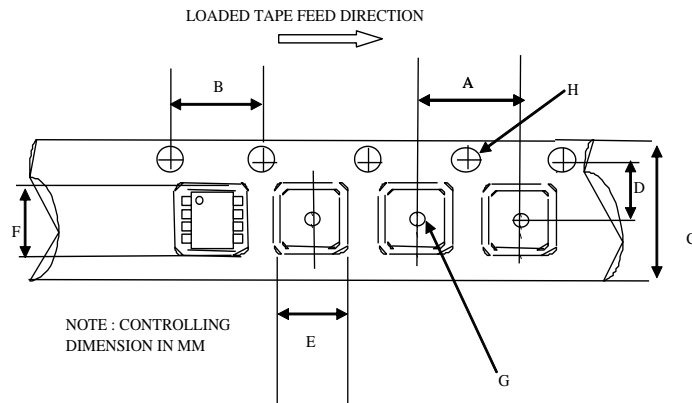


Figure 13. Maximum VS Negative Offset vs. Supply Voltage

**Package Details**

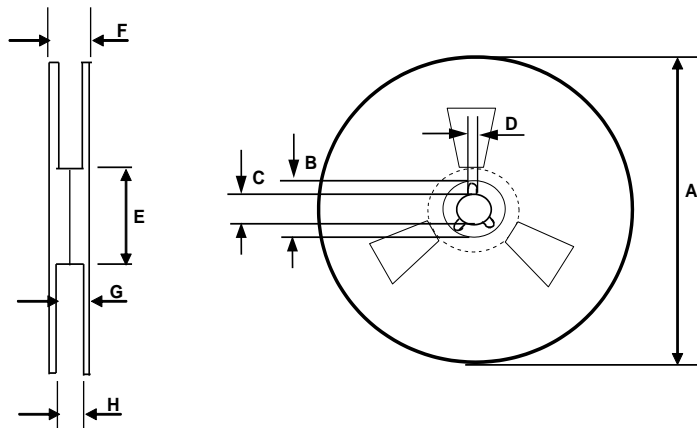


**Tape and Reel Details**



CARRIER TAPE DIMENSION FOR 8SOICN

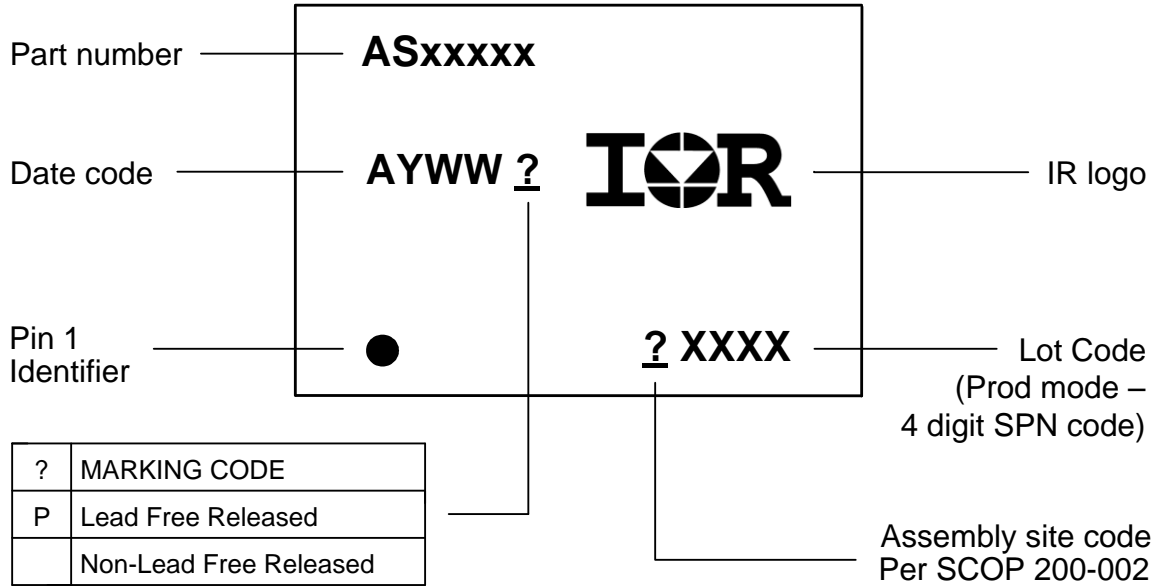
Code	Metric		Imperial	
	Min	Max	Min	Max
A	7.90	8.10	0.311	0.318
B	3.90	4.10	0.153	0.161
C	11.70	12.30	0.46	0.484
D	5.45	5.55	0.214	0.218
E	6.30	6.50	0.248	0.255
F	5.10	5.30	0.200	0.208
G	1.50	n/a	0.059	n/a
H	1.50	1.60	0.059	0.062



REEL DIMENSIONS FOR 8SOICN

Code	Metric		Imperial	
	Min	Max	Min	Max
A	329.60	330.25	12.976	13.001
B	20.95	21.45	0.824	0.844
C	12.80	13.20	0.503	0.519
D	1.95	2.45	0.767	0.096
E	98.00	102.00	3.858	4.015
F	n/a	18.40	n/a	0.724
G	14.50	17.10	0.570	0.673
H	12.40	14.40	0.488	0.566

**Part Marking Information**



**Published by**  
**Infineon Technologies AG**  
**81726 München, Germany**  
**© Infineon Technologies AG 2015**  
**All Rights Reserved.**

### **IMPORTANT NOTICE**

The information given in this document shall in no event be regarded as a guarantee of conditions or characteristics (“Beschaffenheitsgarantie”). With respect to any examples, hints or any typical values stated herein and/or any information regarding the application of the product, Infineon Technologies hereby disclaims any and all warranties and liabilities of any kind, including without limitation warranties of non-infringement of intellectual property rights of any third party.

In addition, any information given in this document is subject to customer’s compliance with its obligations stated in this document and any applicable legal requirements, norms and standards concerning customer’s products and any use of the product of Infineon Technologies in customer’s applications.

The data contained in this document is exclusively intended for technically trained staff. It is the responsibility of customer’s technical departments to evaluate the suitability of the product for the intended application and the completeness of the product information given in this document with respect to such application.

For further information on the product, technology, delivery terms and conditions and prices please contact your nearest Infineon Technologies office ([www.infineon.com](http://www.infineon.com)).

### **WARNINGS**

Due to technical requirements products may contain dangerous substances. For information on the types in question please contact your nearest Infineon Technologies office.

Except as otherwise explicitly approved by Infineon Technologies in a written document signed by authorized representatives of Infineon Technologies, Infineon Technologies’ products may not be used in any applications where a failure of the product or any consequences of the use thereof can reasonably be expected to result in personal injury.

## Looking for pricing, stock, or lifecycle information?

Click below to explore more details on WIN SOURCE:

 [View AUIRS2123S](#) on WIN SOURCE

 [Infineon Technologies](#) Information

## Optimize Your Supply Chain with WIN SOURCE Solutions

-  Global Sourcing Solution
-  Obsolete Management
-  Cost Control Management
-  Shortage Management
-  Alternative Solution
-  Excess Inventory Management