



**THE DATASHEET OF
AFY1280800A0-10.1INTH-C-HDMI**





ORIENT DISPLAY

Your Total LCD Solution Provider

Specification for TFT

AFY1280800A0-10.1INTH-C-HDMI



Revision V1.0

A	Orient Display
FY	TFT Type
1280800	Resolution 1280 x 800
A0	Serial A0
10.1	10.1", Module Dimension 164.8 x 116.2 x 11.15 mm
I	IPS Display
N	Top: -20~+70°C; Tstr: -30~+80°C
T	Transmissive
H	High Brightness 900 cd/m2
C	Capacitive Touch Panel
HDMI	With HDMI Port and USB Port Board
/	IC Controller RTD2662



Table of Contents

1. General Specifications.....	4
2. HDMI Specification.....	4
3. HDMI+LCM Drawing.....	5
4. Interface.....	6
5. Working Environmental.....	9
6. Power Supply.....	9
7. Electrical Characteristics.....	9

1.General Specifications

AFY1280800A0-10.1INTH-C-HDMI applies to HDMI&VGA interface, 1280x800 resolution, compatible for 10.1 " LVDS interface LCM driver board, which integrated the LCD display, key menu, Audio output, adjustable backlight. Used RTD2662 controller chip, the USB can used for CTP driver and software updated.

2.HDMI Specification

2.1 Description

Item	Signal	Interface	Description
Electrical Characteristics	Input Signal	HDMI	Multimedia play
		VGA	Video
		Micro-USB	driver CTP
		Power	DC +12V
	Output Signal	Audio	Audio signal output
		Display	LCM interface
		CTP	CTP interface
Outline structure	164.8mm*116.2mm		
Keyboard	MENU Power EXIT UP DOWN		

4.Interface

4.1 LCM PINOUT

Pin	Pin out	Description
1	VCOM	Common voltage
2-3	VDD	Power supply for digital
4-6	NC	No connect
7	GND	Ground
8	RXIN0-	LVDS data lane 0-
9	RXIN0+	LVDS data lane 0+
10	GND	Ground
11	RXIN1-	LVDS data lane 1-
12	RXIN1+	LVDS data lane 1+
13	GND	Ground
14	RXIN2-	LVDS data lane 2-
15	RXIN2+	LVDS data lane 2+
16	GND	Ground
17	RXCLKIN-	LVDS clk lane -
18	RXCLKIN+	LVDS clk lane +
19	GND	Ground
20	RXIN3-	LVDS data lane 3-
21	RXIN3+	LVDS data lane 3+
22	GND	Ground
23-24	NC	No connect
25	GND	Ground
26-28	NC	No connect
29	AVDD	Power for Analog circuit
30	GND	Ground
31-32	LEDK	LED Cathode for BL
33-34	NC	No connect
35	VGL	Gate off voltage
36-37	NC	No connect
38	VGH	Gate on voltage
39-40	LEDA	LED ANODE for BL

4.2 HDMI PIN(HDMI)

Pin	Pin out	Description
1	RX2+	TMDS Data2+
2	GND	TMDS Data2 Shield
3	RX2-	TMDS Data2-
4	RX1+	TMDS Data1+
5	GND	TMDS Data1 Shield
6	RX1-	TMDS Data1-
7	RX0+	TMDS Data0+
8	GND	TMDS Data0 Shield
9	RX0-	TMDS Data0-
10	RXC+	TMDS Data-Clock+
11	GND	TMDS Data-Clock Shield
12	RXC-	TMDS Data-Clock-
13	CEC	CEC
14	NC	NC
15	DSCL	I2C-Clock,+5V level
16	DSDA	I2C-Data,+5V level
17	GND	DDC/CEC -GND
18	HDMIHOT	+5V power
19	HOTPLUG	Hot Plug Detect Signal

4.3 HDMIVGA PIN(VGA)

Pin	Pin out	Description
1	RED	Video-red
2	GREEN	Video-green
3	BLUE	Video-blue
4	N/C	Not use
5	GND	GND
6	GND-R	GND-R
7	GND-G	GND-G
8	GND-B	GND-B
9	VDD5V	DC5V OUTPUT
10	GND	GND-SYNC
11	GND	GND
12	DDC DATA	DDC DATA
13	HS	HSYNC
14	VS	VSYNC
15	DDC CLOCK	DDC CLOCK

4.4 USB PIN (Micro-USB)

Pin	Pin out	Description
1	VCC	+5V power
2	D-	Data-
3	D+	Data+
4	GND	Ground

4.5 Power supply +12V 3PIN (DC)

Pin	Pin out	Description
1	VIN	+12V
2	GND	Ground

4.6 Audio output

Pin	Pin out	Description
1	LF+	Left Sound Channel Positive and Negative Audio Output
2	LF-	
3	RF+	Right channel positive and negative audio output
4	RF-	

4.7 CTP- PIN

Pin	Pin out	Description
1	RST	Reset Pin for CTP
2	VDD	Power supply for CTP
3	GND	Ground
4	INT	Interrupt request to the host
5	SCL	I2C clock input
6	SDA	I2C data input and output

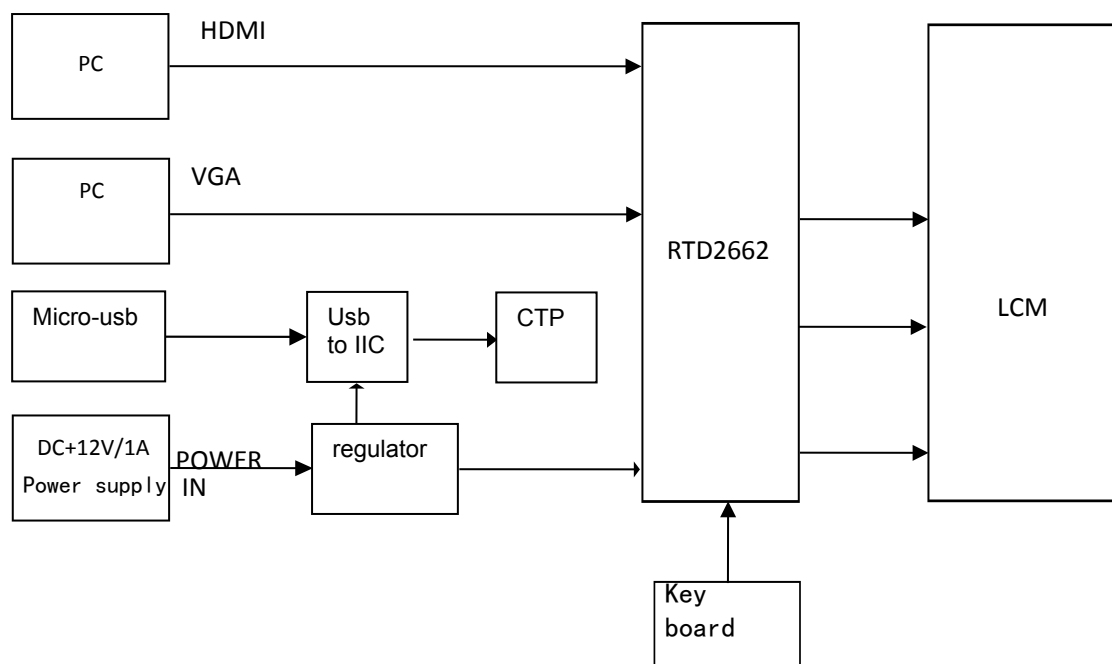
4.8 Keypad definition

Pin	Pin out	Description
1	VCC (3.3V)	5v power supply
2	GND	Ground
3	LED	Power Indicator
4	POWER	Off/on
5	MENU	Menu
6	EXIT	Return / Exit
7	UP	Add key
8	DOWN	Reduce key

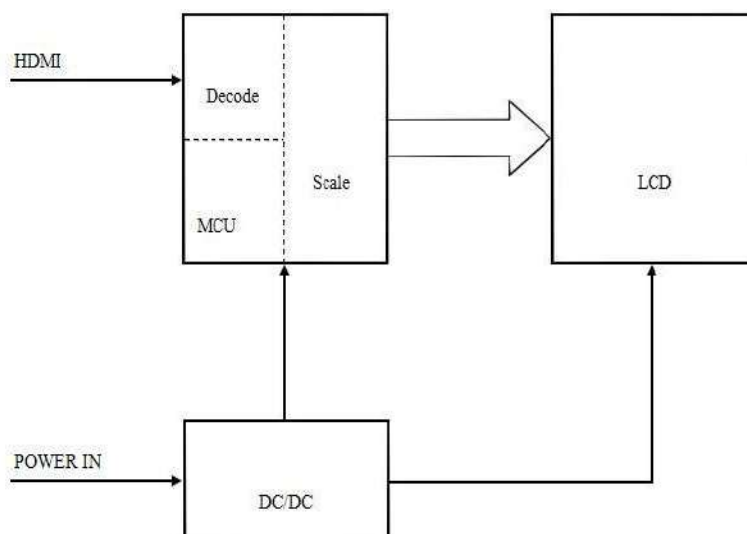
5. Working Environment

Item	Condition	Min	Max	Unit
Operation Temp	12V , 60%RH	-20	+70	°C
Storage Temp	-	-30	+80	°C
Humidity	25°C	10%	90%	RH
ESD	touch±4KV, air±8K			

6. Power supply



7. Electrical Circuit



Looking for pricing, stock, or lifecycle information?

Click below to explore more details on WIN SOURCE:

- ⊖ [View AFY1280800A0-10.1INTH-C-HDMI on WIN SOURCE](#)
- ⊖ [Orient Display Information](#)

Optimize Your Supply Chain with WIN SOURCE Solutions

- ✓ Global Sourcing Solution
- ✓ Obsolete Management
- ✓ Cost Control Management
- ✓ Shortage Management
- ✓ Alternative Solution
- ✓ Excess Inventory Management