



**THE DATASHEET OF
AMIS42673ICAG1RG**



AMIS-42673

High-Speed 3.3 V Digital Interface CAN Transceiver

Description

The AMIS-42673 CAN transceiver is the interface between a controller area network (CAN) protocol controller and the physical bus. It may be used in both 12V and 24 V systems. The digital interface level is powered from a 3.3 V supply providing true I/O voltage levels for 3.3 V CAN controllers.

The transceiver provides differential transmit capability to the bus and differential receive capability to the CAN controller. Due to the wide common-mode voltage range of the receiver inputs, the AMIS-42673 is able to reach outstanding levels of electromagnetic susceptibility (EMS). Similarly, extremely low electromagnetic emission (EME) is achieved by the excellent matching of the output signals.

The AMIS-42673 is primarily intended for applications where long network lengths are mandatory. Examples are elevators, in-building networks, process control and trains. To cope with the long bus delay the communication speed needs to be low. AMIS-42673 allows low transmit data rates down to 10 kbit/s or lower.

Features

- True 3.3 V or 5.0 V Logic Level Interface
- Fully Compatible with the “ISO 11898-2” Standard
- Wide Range of Bus Communication Speed (0 up to 1 Mbit/s)
- Allows Low Transmit Data Rate in Networks Exceeding 1 km
- Ideally Suited for 12 V and 24 V Applications
- Low Electromagnetic Emission (EME); Common-Mode-Choke is No Longer Required
- Differential Receiver with Wide Common-Mode Range (± 35 V) for High Electromagnetic Susceptibility (EMS)
- No Disturbance of the Bus Lines with an Unpowered Node
- Thermal Protection
- Bus Pins Protected Against Transients
- Short Circuit Proof to Supply Voltage and Ground
- ESD Protection for CAN Bus at ± 8 kV
- These are Pb-Free Devices*

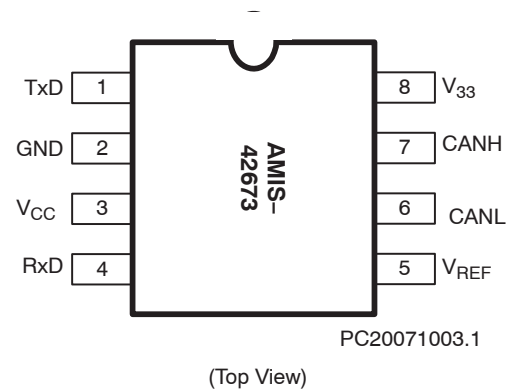
*For additional information on our Pb-Free strategy and soldering details, please download the ON Semiconductor Soldering and Mounting Techniques Reference Manual, SOLDERRM/D.



ON Semiconductor®

<http://onsemi.com>

PIN ASSIGNMENT



ORDERING INFORMATION

See detailed ordering and shipping information in the package dimensions section on page 10 of this data sheet.

Table 1. TECHNICAL CHARACTERISTICS

| Symbol | Parameter | Condition | Max | Max | Unit |
|------------------------|---|--|------|-----|------|
| V_{CANH} | DC Voltage at Pin CANH | $0 < V_{CC} < 5.25 \text{ V}$; No Time Limit | -45 | +45 | V |
| V_{CANL} | DC Voltage at Pin CANL | $0 < V_{CC} < 5.25 \text{ V}$; No Time Limit | -45 | +45 | V |
| $V_{o(dif)(bus_dom)}$ | Differential Bus Output Voltage in Dominant State | $42.5 \Omega < R_{LT} < 60 \Omega$ | 1.5 | 3 | V |
| $t_{pd(rec-dom)}$ | Propagation Delay TxD to RxD | | 100 | 230 | ns |
| $t_{pd(dom-rec)}$ | Propagation Delay TxD to RxD | | 100 | 245 | ns |
| $C_{M-range}$ | Input Common-Mode Range for Comparator | Guaranteed Differential Receiver Threshold and Leakage Current | -35 | +35 | V |
| $V_{CM-peak}$ | Common-Mode Peak | Figures 7 and 8 (Note 1) | -500 | 500 | mV |
| $V_{CM-step}$ | Common-Mode Step | Figures 7 and 8 (Note 1) | -150 | 150 | mV |

1. The parameters $V_{CM-peak}$ and $V_{CM-step}$ guarantee low EME.

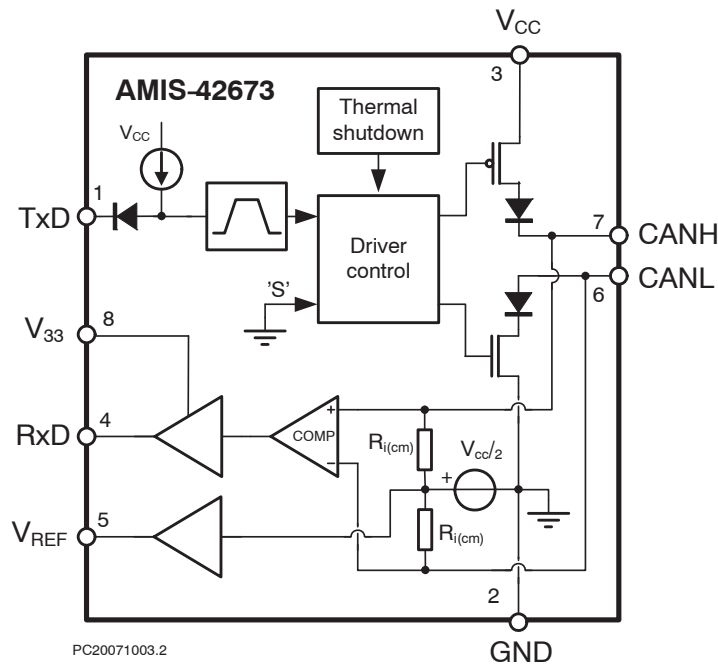


Figure 1. Block Diagram

Table 2. PIN DESCRIPTION

| Pin | Name | Description |
|-----|-----------|---|
| 1 | TxD | Transmit Data Input; Low Input → Dominant Driver; Internal Pullup Current |
| 2 | GND | Ground |
| 3 | V_{CC} | Supply Voltage |
| 4 | RxD | Receive Data Output; Dominant Transmitter → Low Output |
| 5 | V_{REF} | Reference Voltage Output |
| 6 | CANL | LOW-Level CAN Bus Line (Low in Dominant Mode) |
| 7 | CANH | HIGH-Level CAN Bus Line (High in Dominant Mode) |
| 8 | V_{33} | 3.3 V Supply for Digital I/O |

Table 3. ABSOLUTE MAXIMUM RATINGS

| Symbol | Parameter | Conditions | Min | Max | Unit |
|----------------------------------|---|---|------------|-----------------------|---------|
| V _{CC} | Supply Voltage | | -0.3 | +7 | V |
| V ₃₃ | I/O Interface Voltage | | -0.3 | +7 | V |
| V _{CANH} | DC Voltage at Pin CANH | 0 < V _{CC} < 5.25 V; No Time Limit | -45 | +45 | V |
| V _{CANL} | DC Voltage at Pin CANL | 0 < V _{CC} < 5.25 V; No Time Limit | -45 | +45 | V |
| V _{TxD} | DC Voltage at Pin TxD | | -0.3 | V _{CC} + 0.3 | V |
| V _{RxD} | DC Voltage at Pin RxD | | -0.3 | V _{CC} + 0.3 | V |
| V _{REF} | DC Voltage at Pin V _{REF} | | -0.3 | V _{CC} + 0.3 | V |
| V _{tran} (CANH) | Transient Voltage at Pin CANH | Note 2 | -150 | +150 | V |
| V _{tran} (CANL) | Transient Voltage at Pin CANL | Note 2 | -150 | +150 | V |
| V _{tran} (VREF) | Transient Voltage at Pin V _{REF} | Note 2 | -150 | +150 | V |
| V _{esd} (CANL/ CANH) | Electrostatic Discharge Voltage at CANH and CANL Pin | Note 4 Note 6 | -8 -500 | +8 +500 | kV V |
| V _{esd} | Electrostatic Discharge Voltage at All Other Pins | Note 4 Note 6 | -4 -250 | +4 +250 | kV V |
| Latch-up | Static Latch-up at All Pins | Note 5 | | 100 | mA |
| T _{stg} | Storage Temperature | | -55 | +155 | °C |
| T _A | Ambient Temperature | | -40 | +125 | °C |
| T _J | Maximum Junction Temperature | | -40 | +150 | °C |

Stresses exceeding Maximum Ratings may damage the device. Maximum Ratings are stress ratings only. Functional operation above the Recommended Operating Conditions is not implied. Extended exposure to stresses above the Recommended Operating Conditions may affect device reliability.

2. Applied transient waveforms in accordance with “ISO 7637 part 3”, test pulses 1, 2, 3a, and 3b (see Figure 4).
3. Standardized human body model system ESD pulses in accordance to IEC 1000.4.2.
4. Standardized human body model ESD pulses in accordance to MIL883 method 3015. Supply pin 8 is ±4kV.
5. Static latch-up immunity: static latch-up protection level when tested according to EIA/JESD78.
6. Standardized charged device model ESD pulses when tested according to EOS/ESD DS5.3-1993.

Table 4. THERMAL CHARACTERISTICS

| Symbol | Parameter | Conditions | Value | Unit |
|------------------------|--|-------------|-------|------|
| R _{th} (vj-a) | Thermal Resistance from Junction-to-Ambient in SO-8 Package | In Free Air | 145 | k/W |
| R _{th} (vj-s) | Thermal Resistance from Junction-to-Substrate of Bare Die | In Free Air | 45 | k/W |

AMIS-42673

APPLICATION INFORMATION

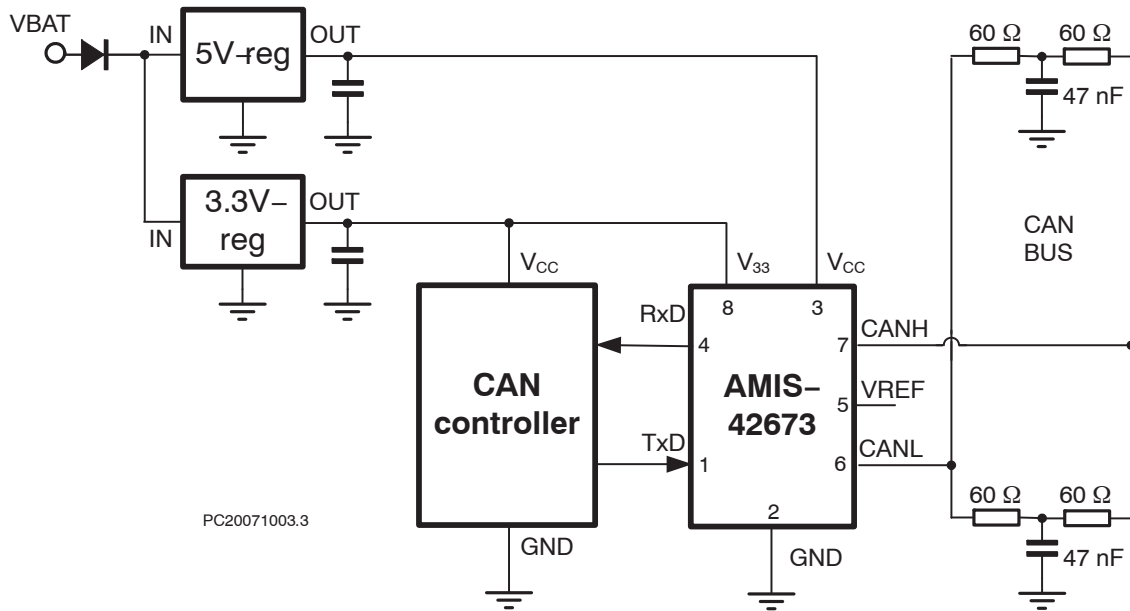


Figure 2. Application Diagram

FUNCTIONAL DESCRIPTION

General

The AMIS-42673 is the interface between the CAN protocol controller and the physical bus. It is intended for use in industrial and automotive applications requiring baud rates up to 1 Mbit/s. It provides differential transmit capability to the bus and differential receiver capability to the CAN protocol controller. It is fully compatible to the “ISO 11898-2” standard.

Operating Modes

AMIS-42673 only operates in high-speed mode as illustrated in Table 5.

The transceiver is able to communicate via the bus lines. The signals are transmitted and received to the CAN controller via the pins TxD and RxD. The slopes on the bus lines outputs are optimized to give extremely low EME.

Table 5. FUNCTIONAL TABLE OF AMIS-42673; x = don't care

| V _{CC} | Pin TxD | Pin CANH | Pin CANL | Bus State | Pin RxD |
|------------------------------------|--------------------|------------------------------|------------------------------|-----------|---------|
| 4.75 to 5.25 V | 0 | High | Low | Dominant | 0 |
| 4.75 to 5.25 V | 1 (or floating) | V _{CC} /2 | V _{CC} /2 | Recessive | 1 |
| V _{CC} < PORL (Unpowered) | x | 0 V < CANH < V _{CC} | 0 V < CANL < V _{CC} | Recessive | 1 |
| PORL < V _{CC} < 4.75 V | > 2 V | 0 V < CANH < V _{CC} | 0 V < CANL < V _{CC} | Recessive | 1 |

Overtemperature Detection

A thermal protection circuit protects the IC from damage by switching off the transmitter if the junction temperature exceeds a value of approximately 160°C. Because the transmitter dissipates most of the power, the power dissipation and temperature of the IC is reduced. All other IC functions continue to operate. The transmitter off-state resets when Pin TxD goes HIGH. The thermal protection circuit is particularly needed when a bus line short circuits.

High Communication Speed Range

The transceiver is primarily intended for industrial applications. It allows very low baud rates needed for long bus length applications. But also high speed communication is possible up to 1 Mbit/s.

Fail-Safe Features

A current-limiting circuit protects the transmitter output stage from damage caused by accidental short-circuit to either positive or negative supply voltage – although power dissipation increases during this fault condition.

The pins CANH and CANL are protected from automotive electrical transients (according to “ISO 7637”; see Figure 3).

Should TxD become disconnected, this pin is pulled high internally.

When the V_{CC} supply is removed, Pins TxD and RxD will be floating. This prevents the AMIS-42673 from being supplied by the CAN controller through the I/O Pins.

3.3 V Interface

AMIS-42673 may be used to interface with 3.3 V or 5 V controllers by use of the V₃₃ pin. This pin may be supplied with 3.3 V or 5 V to have the corresponding digital interface voltage levels.

When the V₃₃ pin is supplied at 2.5 V, even interfacing with 2.5 V CAN controllers is possible. See also Digital Output Characteristics @ V₃₃ = 2.5 V, Table . In this case a pull-up resistor from TxD to V₃₃ is necessary.

AMIS-42673

Definitions

All voltages are referenced to GND (Pin 2). Positive currents flow into the IC. Sinking current means that the current is flowing into the pin. Sourcing current means that the current is flowing out of the pin.

Table 6. DC CHARACTERISTICS $V_{CC} = 4.75\text{ V to }5.25\text{ V}$, $V_{33} = 2.9\text{ V to }3.6\text{ V}$; $T_J = -40^\circ\text{C to }+150^\circ\text{C}$; $R_{LT} = 60\ \Omega$ unless specified otherwise.

| Symbol | Parameter | Conditions | Min | Typ | Max | Unit |
|--|--|--|----------------------|----------------------|----------------------|---------------|
| SUPPLY (Pin V_{CC} and pin V_{33}) | | | | | | |
| I_{CC} | Supply Current | Dominant; $V_{TXD} = 0\text{ V}$ Recessive; $V_{TXD} = V_{CC}$ | | 45 4 | 65 8 | mA |
| I_{33} | I/O Interface Current | $V_{33} = 3.3\text{ V}$; $C_L = 20\text{ pF}$; recessive | | | 1 | μA |
| I_{33} | I/O Interface Current (Note 7) | $V_{33} = 3.3\text{ V}$; $C_L = 20\text{ pF}$; 1 Mbps | | | 170 | μA |
| TRANSMITTER DATA INPUT (Pin TxD) | | | | | | |
| V_{IH} | HIGH-Level Input Voltage | Output recessive | 2.0 | – | V_{CC} | V |
| V_{IL} | LOW-Level Input Voltage | Output dominant | –0.3 | – | +0.8 | V |
| I_{IH} | HIGH-Level Input Current | $V_{TXD} = V_{33}$ | –1 | 0 | +1 | μA |
| I_{IL} | LOW-Level Input Current | $V_{TXD} = 0\text{ V}$ | –50 | –200 | –300 | μA |
| C_i | Input Capacitance (Note 7) | | – | 5 | 10 | pF |
| RECEIVER DATA OUTPUT (Pin RxD) | | | | | | |
| V_{OH} | HIGH-Level Output Voltage | $I_{RXD} = -10\text{ mA}$ | $0.7 \times V_{33}$ | $0.75 \times V_{33}$ | | V |
| V_{OL} | LOW-Level Output Voltage | $I_{RXD} = 5\text{ mA}$ | | 0.18 | 0.35 | V |
| I_{oh} | HIGH-Level Output Current (Note 7) | $V_{RXD} = 0.7 \times V_{33}$ | –10 | –15 | –20 | mA |
| I_{ol} | LOW-Level Output Current (Note 7) | $V_{RXD} = 0.45\text{ V}$ | 5 | 10 | 15 | mA |
| REFERENCE VOLTAGE OUTPUT (Pin V_{REF}) | | | | | | |
| V_{REF} | Reference Output Voltage | $-50\ \mu\text{A} < I_{VREF} < +50\ \mu\text{A}$ | $0.45 \times V_{CC}$ | $0.50 \times V_{CC}$ | $0.55 \times V_{CC}$ | V |
| V_{REF_CM} | Reference Output Voltage for Full Common-Mode Range | $-35\text{ V} < V_{CANH} < +35\text{ V}$; $-35\text{ V} < V_{CANL} < +35\text{ V}$ | $0.40 \times V_{CC}$ | $0.50 \times V_{CC}$ | $0.60 \times V_{CC}$ | V |
| BUS LINES (Pins $CANH$ and $CANL$) | | | | | | |
| $V_{o(\text{reces})}(CANH)$ | Recessive Bus Voltage at Pin $CANH$ | $V_{TXD} = V_{CC}$; no load | 2.0 | 2.5 | 3.0 | V |
| $V_{o(\text{reces})}(CANL)$ | Recessive Bus Voltage at Pin $CANL$ | $V_{TXD} = V_{CC}$; no load | 2.0 | 2.5 | 3.0 | V |
| $I_{o(\text{reces})}(CANH)$ | Recessive Output Current at Pin $CANH$ | $-35\text{ V} < V_{CANH} < +35\text{ V}$; $0\text{ V} < V_{CC} < 5.25\text{ V}$ | –2.5 | – | +2.5 | mA |
| $I_{o(\text{reces})}(CANL)$ | Recessive Output Current at Pin $CANL$ | $-35\text{ V} < V_{CANL} < +35\text{ V}$; $0\text{ V} < V_{CC} < 5.25\text{ V}$ | –2.5 | – | +2.5 | mA |
| $V_{o(\text{dom})}(CANH)$ | Dominant Output Voltage at Pin $CANH$ | $V_{TXD} = 0\text{ V}$ | 3.0 | 3.6 | 4.25 | V |
| $V_{o(\text{dom})}(CANL)$ | Dominant Output Voltage at Pin $CANL$ | $V_{TXD} = 0\text{ V}$ | 0.5 | 1.4 | 1.75 | V |
| $V_{o(\text{dif})}(\text{bus})$ | Differential Bus Output Voltage ($V_{CANH} - V_{CANL}$) | $V_{TXD} = 0\text{ V}$; Dominant; $42.5\ \Omega < R_{LT} < 60\ \Omega$ | 1.5 | 2.25 | 3.0 | V |
| | | $V_{TXD} = V_{CC}$; Recessive; No Load | –120 | 0 | +50 | mV |
| $I_{o(\text{sc})}(CANH)$ | Short Circuit Output Current at Pin $CANH$ | $V_{CANH} = 0\text{ V}$; $V_{TXD} = 0\text{ V}$ | –45 | –70 | –95 | mA |
| $I_{o(\text{sc})}(CANL)$ | Short Circuit Output Current at Pin $CANL$ | $V_{CANL} = 36\text{ V}$; $V_{TXD} = 0\text{ V}$ | 45 | 70 | 120 | mA |
| $V_{i(\text{dif})}(\text{th})$ | Differential Receiver Threshold Voltage | $-5\text{ V} < V_{CANL} < +12\text{ V}$; $-5\text{ V} < V_{CANH} < +12\text{ V}$; See Figure 4 | 0.5 | 0.7 | 0.9 | V |

7. Not tested at ATE

AMIS-42673

Table 6. DC CHARACTERISTICS $V_{CC} = 4.75\text{ V to }5.25\text{ V}$, $V_{33} = 2.9\text{ V to }3.6\text{ V}$; $T_J = -40^\circ\text{C to }+150^\circ\text{C}$; $R_{LT} = 60\ \Omega$ unless specified otherwise.

| Symbol | Parameter | Conditions | Min | Typ | Max | Unit |
|---------------------------------------|---|--|------|-----|------|------------|
| BUS LINES (Pins CANH and CANL) | | | | | | |
| $V_{ihcm(dif)(th)}$ | Differential Receiver Threshold Voltage for High Common-Mode | $-35\text{ V} < V_{CANL} < +35\text{ V}$; $-35\text{ V} < V_{CANH} < +35\text{ V}$; See Figure 4 | 0.25 | 0.7 | 1.05 | V |
| $V_{i(dif)(hys)}$ | Differential Receiver Input Voltage Hysteresis | $-35\text{ V} < V_{CANL} < +35\text{ V}$; $-35\text{ V} < V_{CANH} < +35\text{ V}$; See Figure 4 | 50 | 70 | 100 | mV |
| $R_{i(cm)(CANH)}$ | Common-Mode Input Resistance at Pin CANH | | 15 | 25 | 37 | k Ω |
| $R_{i(cm)(CANL)}$ | Common-Mode Input Resistance at Pin CANL | | 15 | 25 | 37 | k Ω |
| $R_{i(cm)(m)}$ | Matching Between Pin CANH and Pin CANL Common-Mode Input Resistance | $V_{CANH} = V_{CANL}$ | -3 | 0 | +3 | % |
| $R_{i(dif)}$ | Differential Input Resistance | | 25 | 50 | 75 | k Ω |

BUS LINES (Pins CANH and CANL)

| | | | | | | |
|---------------|--|---|------|------|-----|---------------|
| $C_{i(CANH)}$ | Input Capacitance at Pin CANH | $V_{TxD} = V_{CC}$; Not Tested | | 7.5 | 20 | pF |
| $C_{i(CANL)}$ | Input Capacitance at Pin CANL | $V_{TxD} = V_{CC}$; Not Tested | | 7.5 | 20 | pF |
| $C_{i(dif)}$ | Differential Input Capacitance | $V_{TxD} = V_{CC}$; Not Tested | | 3.75 | 10 | pF |
| $I_{L(CANH)}$ | Input Leakage Current at Pin CANH | $V_{CC} = 0\text{ V}$; $V_{CANH} = 5\text{ V}$ | 10 | 170 | 250 | μA |
| $I_{L(CANL)}$ | Input Leakage Current at Pin CANL | $V_{CC} = 0\text{ V}$; $V_{CANL} = 5\text{ V}$ | 10 | 170 | 250 | μA |
| $V_{CM-peak}$ | Common-Mode Peak During Transition from Dom \rightarrow Rec or Rec \rightarrow Dom | Figures 7 and 8 | -500 | | 500 | mV |
| $V_{CM-step}$ | Difference in Common-Mode Between Dominant and Recessive State | Figures 7 and 8 | -150 | | 150 | mV |

POWER-ON-RESET

| | | | | | | |
|------|-----------|--|-----|-----|-----|---|
| PORL | POR Level | CANH, CANL, V_{ref} in Tri-State Below POR Level | 2.2 | 3.5 | 4.7 | V |
|------|-----------|--|-----|-----|-----|---|

THERMAL SHUTDOWN

| | | | | | | |
|-------------|-------------------------------|--|-----|-----|-----|------------------|
| $T_{J(sd)}$ | Shutdown Junction Temperature | | 150 | 160 | 180 | $^\circ\text{C}$ |
|-------------|-------------------------------|--|-----|-----|-----|------------------|

TIMING CHARACTERISTICS (See Figures 6 and 7)

| | | | | | | |
|-------------------|---|--|-----|-----|-----|----|
| $t_d(TxD-BUSon)$ | Delay TxD to Bus Active | | 40 | 85 | 110 | ns |
| $t_d(TxD-BUSoff)$ | Delay TxD to Bus Inactive | | 30 | 60 | 110 | ns |
| $t_d(BUSon-RxD)$ | Delay Bus Active to RxD | | 25 | 55 | 110 | ns |
| $t_d(BUSoff-RxD)$ | Delay Bus Inactive to RxD | | 65 | 100 | 135 | ns |
| $t_{pd}(rec-dom)$ | Propagation Delay TxD to RxD from Recessive to Dominant | | 100 | | 230 | ns |
| $t_d(dom-rec)$ | Propagation Delay TxD to RxD from Dominant to Recessive | | 100 | | 245 | ns |

7. Not tested at ATE

Table 7. DIGITAL OUTPUT CHARACTERISTICS @ $V_{33} = 2.5\text{ V}$ $V_{CC} = 4.75\text{ to }5.25\text{ V}$; $V_{33} = 2.5\text{ V} \pm 5\%$; $T_J = -40\text{ to }+150^\circ\text{C}$; $R_{LT} = 60\ \Omega$ unless specified otherwise.

| Symbol | Parameter | Conditions | Min | Typ | Max | Unit |
|---------------------------------------|---------------------------|------------------------------|------|-----|-----|------|
| RECEIVER DATA OUTPUT (Pin RxD) | | | | | | |
| I_{oh} | HIGH-Level Output Current | $V_{OH} > 0.9 \times V_{33}$ | -2.6 | | | mA |
| I_{ol} | LOW-Level Output Current | $V_{OL} < 0.1 \times V_{33}$ | | | 4 | mA |

AMIS-42673

MEASUREMENT SETUPS AND DEFINITIONS

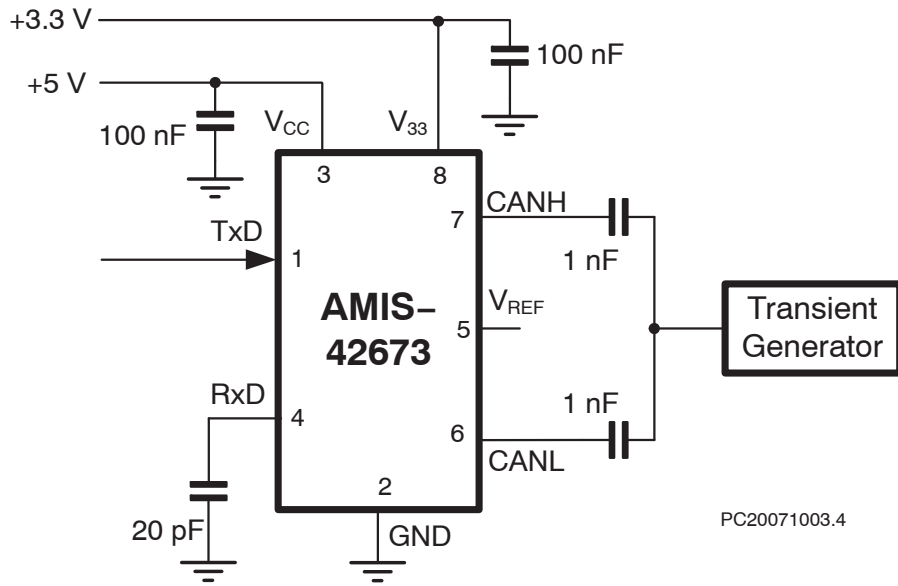


Figure 3. Test Circuit for Automotive Transients

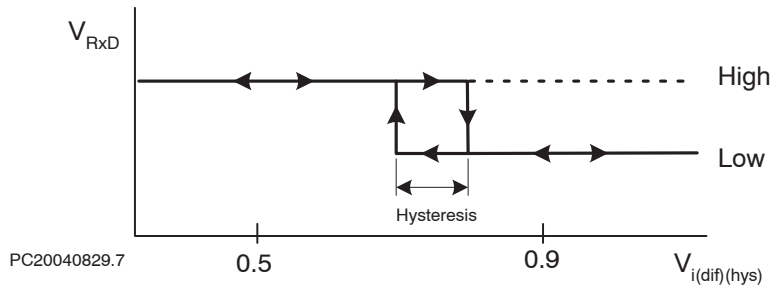


Figure 4. Hysteresis of the Receiver

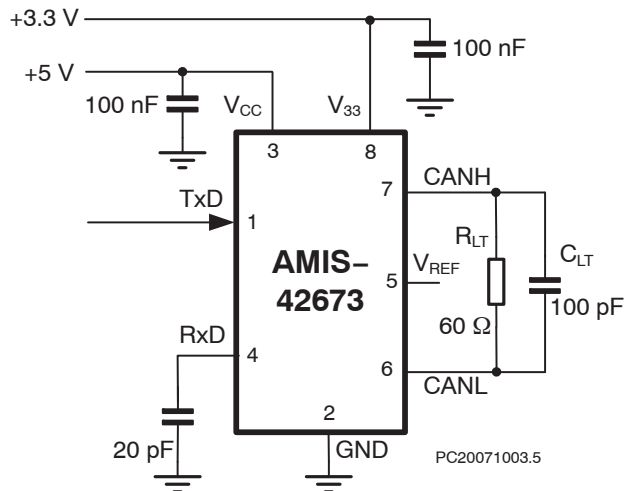


Figure 5. Test Circuit for Timing Characteristics

AMIS-42673

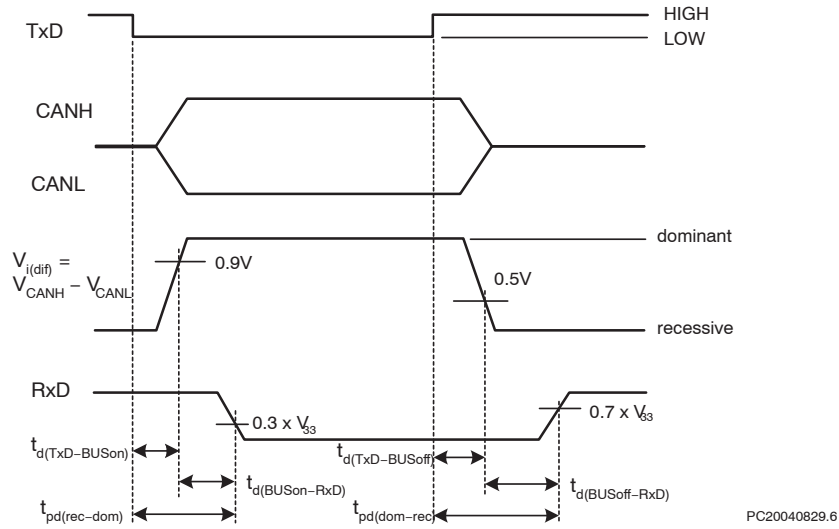


Figure 6. Timing Diagram for AC Characteristics

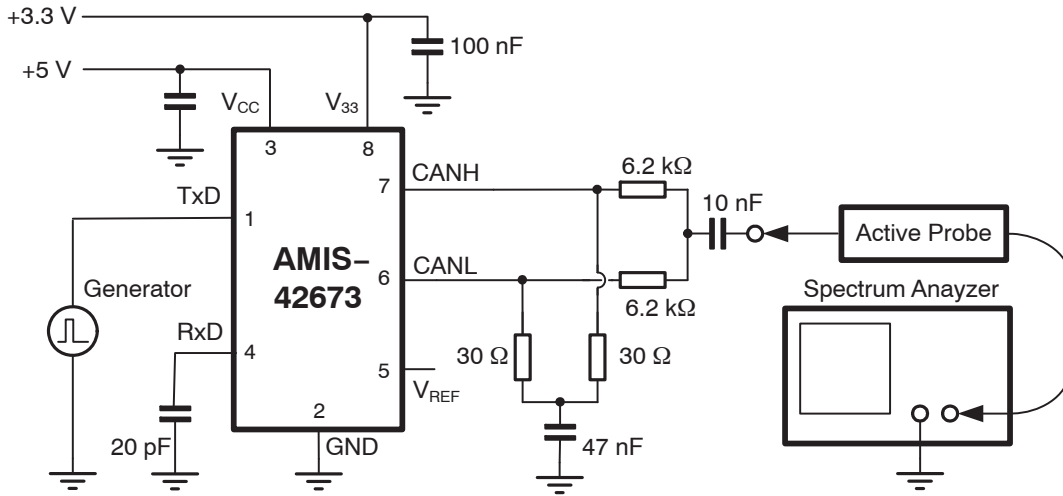


Figure 7. Basic Test Setup for Electromagnetic Measurement

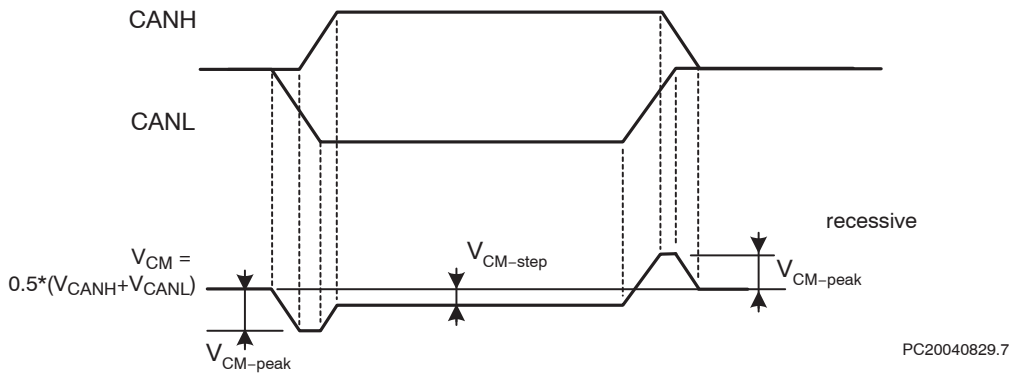


Figure 8. Common-Mode Voltage Peaks (See Measurement Setup Figure 7)

AMIS-42673

DEVICE ORDERING INFORMATION

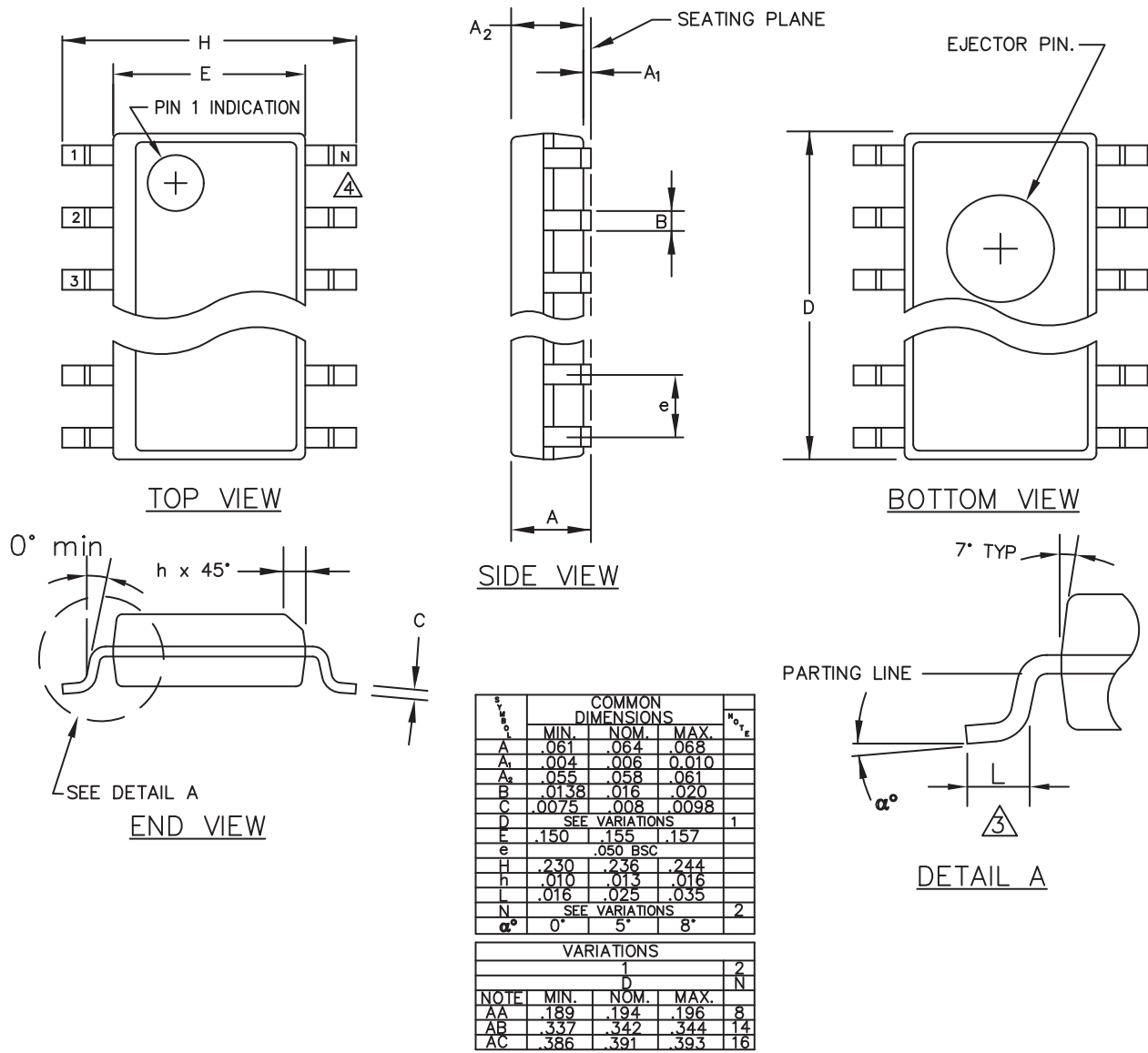
| Part Number | Temperature Range | Package Type | Shipping [†] |
|------------------|-------------------|---------------------|-----------------------|
| AMIS42673ICAG1G | -40°C - 125°C | SOIC-8 (Pb-Free) | 96 Tube / Tray |
| AMIS42673ICAG1RG | -40°C - 125°C | SOIC-8 (Pb-Free) | 3000 / Tape & Reel |

[†]For information on tape and reel specifications, including part orientation and tape sizes, please refer to our Tape and Reel Packaging Specifications Brochure, BRD8011/D.

AMIS-42673

PACKAGE DIMENSIONS

SOIC 8
CASE 751AZ-01
ISSUE O



1. ALL DIMENSIONS ARE IN MILLIMETERS.

ON Semiconductor and **ON** are registered trademarks of Semiconductor Components Industries, LLC (SCILLC). SCILLC reserves the right to make changes without further notice to any products herein. SCILLC makes no warranty, representation or guarantee regarding the suitability of its products for any particular purpose, nor does SCILLC assume any liability arising out of the application or use of any product or circuit, and specifically disclaims any and all liability, including without limitation special, consequential or incidental damages. "Typical" parameters which may be provided in SCILLC data sheets and/or specifications can and do vary in different applications and actual performance may vary over time. All operating parameters, including "Typicals" must be validated for each customer application by customer's technical experts. SCILLC does not convey any license under its patent rights nor the rights of others. SCILLC products are not designed, intended, or authorized for use as components in systems intended for surgical implant into the body, or other applications intended to support or sustain life, or for any other application in which the failure of the SCILLC product could create a situation where personal injury or death may occur. Should Buyer purchase or use SCILLC products for any such unintended or unauthorized application, Buyer shall indemnify and hold SCILLC and its officers, employees, subsidiaries, affiliates, and distributors harmless against all claims, costs, damages, and expenses, and reasonable attorney fees arising out of, directly or indirectly, any claim of personal injury or death associated with such unintended or unauthorized use, even if such claim alleges that SCILLC was negligent regarding the design or manufacture of the part. SCILLC is an Equal Opportunity/Affirmative Action Employer. This literature is subject to all applicable copyright laws and is not for resale in any manner.

PUBLICATION ORDERING INFORMATION

LITERATURE FULFILLMENT:
Literature Distribution Center for ON Semiconductor
P.O. Box 5163, Denver, Colorado 80217 USA
Phone: 303-675-2175 or 800-344-3860 Toll Free USA/Canada
Fax: 303-675-2176 or 800-344-3867 Toll Free USA/Canada
Email: orderlit@onsemi.com

N. American Technical Support: 800-282-9855 Toll Free
USA/Canada
Europe, Middle East and Africa Technical Support:
Phone: 421 33 790 2910
Japan Customer Focus Center
Phone: 81-3-5773-3850

ON Semiconductor Website: www.onsemi.com
Order Literature: <http://www.onsemi.com/orderlit>
For additional information, please contact your local Sales Representative

Looking for pricing, stock, or lifecycle information?

Click below to explore more details on WIN SOURCE:

- ⊖ [View AMIS42673ICAG1RG on WIN SOURCE](#)
- ⊖ [ON Semiconductor Information](#)

Optimize Your Supply Chain with WIN SOURCE Solutions

- ✓ Global Sourcing Solution
- ✓ Obsolete Management
- ✓ Cost Control Management
- ✓ Shortage Management
- ✓ Alternative Solution
- ✓ Excess Inventory Management