



THE DATASHEET OF ADG918BCP-REEL7



FEATURES

Wideband switch: -3 dB at 4 GHz
Absorptive/reflective switches
High off isolation (43 dB at 1 GHz)
Low insertion loss (0.8 dB at 1 GHz)
Single 1.65 V to 2.75 V power supply
CMOS/LVTTL control logic
8-lead MSOP and tiny 3 mm × 3 mm LFCSP
Low power consumption (<1 μA)

APPLICATIONS

Wireless communications
General-purpose RF switching
Dual-band applications
High speed filter selection
Digital transceiver front end switch
IF switching
Tuner modules
Antenna diversity switching

GENERAL DESCRIPTION

The ADG918/ADG919 are wideband switches using a CMOS process to provide high isolation and low insertion loss to 1 GHz. The ADG918 is an absorptive (matched) switch having 50 Ω terminated shunt legs, whereas the ADG919 is a reflective switch. These devices are designed such that the isolation is high over the dc to 1 GHz frequency range. They have on-board CMOS control logic, thus eliminating the need for external controlling circuitry. The control inputs are both CMOS and LVTTL compatible. The low power consumption of these CMOS devices makes them ideally suited to wireless and general-purpose high frequency switching applications.

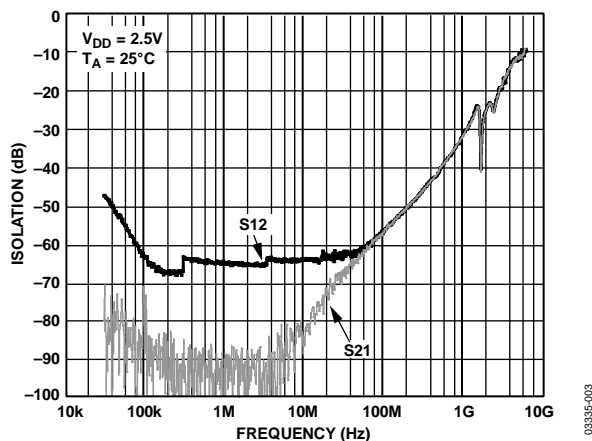


Figure 1. Off Isolation vs. Frequency

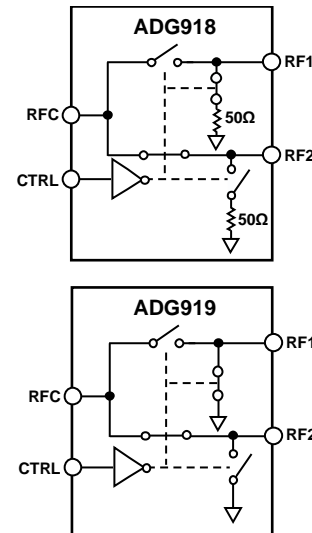
FUNCTIONAL BLOCK DIAGRAMS


Figure 2.

PRODUCT HIGHLIGHTS

- 43 dB off isolation at 1 GHz.
- 0.8 dB insertion loss at 1 GHz.
- Tiny 8-lead MSOP/LFCSP.

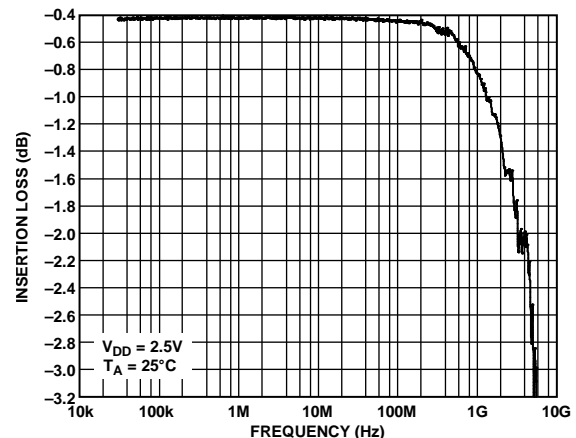


Figure 3. Insertion Loss vs. Frequency

Rev. E

[Document Feedback](#)

Information furnished by Analog Devices is believed to be accurate and reliable. However, no responsibility is assumed by Analog Devices for its use, nor for any infringements of patents or other rights of third parties that may result from its use. Specifications subject to change without notice. No license is granted by implication or otherwise under any patent or patent rights of Analog Devices. Trademarks and registered trademarks are the property of their respective owners.

One Technology Way, P.O. Box 9106, Norwood, MA 02062-9106, U.S.A.
 Tel: 781.329.4700 ©2003–2016 Analog Devices, Inc. All rights reserved.
[Technical Support](#) www.analog.com

TABLE OF CONTENTS

Features	1
Applications.....	1
Functional Block Diagrams.....	1
General Description	1
Product Highlights	1
Revision History	2
Specifications.....	3
Absolute Maximum Ratings.....	5
ESD Caution.....	5
Pin Configuration and Function Descriptions.....	6
Typical Performance Characteristics	7

REVISION HISTORY

5/2016—Rev. D to Rev. E

Updated Outline Dimensions	15
----------------------------------	----

3/2016—Rev. C to Rev. D

Changed CP-8-2 to CP-8-13	Throughout
Changes to Figure 4 and Table 3.....	6
Added Figure 5, Renumbered Sequentially	6
Changed ADG9xx Evaluation Board Section to ADG918/ ADG919 Evaluation Board Section	14
Updated Outline Dimensions	15
Changes to Ordering Guide	16

9/08—Rev. B to Rev. C

Changes to Ordering Guide	16
---------------------------------	----

Terminology	10
Test Circuits.....	11
Applications Information	13
Absorptive vs. Reflective Switch.....	13
Wireless Metering.....	13
Tuner Modules.....	13
Filter Selection	13
ADG918/ADG919 Evaluation Board	14
Outline Dimensions	15
Ordering Guide	16

8/2008—Rev. A to Rev. B

Changes to Table 1, AC Electrical Characteristics, Third Order Intermodulation Intercept.....	3
Updated Outline Dimensions	15
Changes to Ordering Guide	16

9/2004—Rev. 0 to Rev. A

Updated Format.....	Universal
Change to Data Sheet Title.....	1
Change to Features	1
Change to Product Highlights	1
Changes to Specifications.....	3
Change to ADG9xx Evaluation Board section.....	13
Changes to Ordering Guide	14

8/03—Revision 0: Initial Version

SPECIFICATIONS

$V_{DD} = 1.65\text{ V}$ to 2.75 V , $GND = 0\text{ V}$, input power = 0 dBm , all specifications T_{MIN} to T_{MAX} , unless otherwise noted. Temperature range for B Version: -40°C to $+85^{\circ}\text{C}$.

Table 1.

Parameter	Symbol	Test Conditions/Comments	B Version			Unit
			Min	Typ ¹	Max	
AC ELECTRICAL CHARACTERISTICS						
Operating Frequency ²			dc		2	GHz
3 dB Frequency ³					4	GHz
Input Power ³		0 V dc bias			7	dBm
		0.5 V dc bias			16	dBm
Insertion Loss	S_{21}, S_{12}	DC to 100 MHz; $V_{DD} = 2.5\text{ V} \pm 10\%$		0.4	0.7	dB
		500 MHz; $V_{DD} = 2.5\text{ V} \pm 10\%$		0.5	0.8	dB
		1000 MHz; $V_{DD} = 2.5\text{ V} \pm 10\%$		0.8	1.25	dB
Isolation—RFC to RF1/RF2 (CP Package)	S_{21}, S_{12}	100 MHz	57	60		dB
		500 MHz	46	49		dB
		1000 MHz	36	43		dB
Isolation—RFC to RF1/RF2 (RM Package)	S_{21}, S_{12}	100 MHz	55	60		dB
		500 MHz	43	47		dB
		1000 MHz	34	37		dB
Isolation—RF1 to RF2 (Crosstalk) (CP Package)	S_{21}, S_{12}	100 MHz	55	58		
		500 MHz	41	44		
		1000 MHz	31	37		
Isolation—RF1 to RF2 (Crosstalk) (RM Package)	S_{21}, S_{12}	100 MHz	54	57		
		500 MHz	39	42		
		1000 MHz	31	33		
Return Loss (On Channel) ³	S_{11}, S_{22}	DC to 100 MHz	21	27		dB
		500 MHz	22	27		dB
		1000 MHz	22	26		dB
Return Loss (Off Channel) ³ ADG918	S_{11}, S_{22}	DC to 100 MHz	18	23		dB
		500 MHz	17	21		dB
		1000 MHz	16	20		dB
On Switching Time ³	t_{ON}	50% CTRL to 90% RF		6.6	10	ns
Off Switching Time ³	t_{OFF}	50% CTRL to 10% RF		6.5	9.5	ns
Rise Time ³	t_{RISE}	10% to 90% RF		6.1	9	ns
Fall Time ³	t_{FALL}	90% to 10% RF		6.1	9	ns
1 dB Compression ³	$P_{-1\text{ dB}}$	1000 MHz		17		dBm
Third Order Intermodulation Intercept	IP_3	900 MHz/901 MHz, 4 dBm	28.5	36		dBm
Video Feedthrough ⁴				2.5		mV p-p
DC ELECTRICAL CHARACTERISTICS						
Input High Voltage	V_{INH}	$V_{DD} = 2.25\text{ V}$ to 2.75 V	1.7			V
	V_{INH}	$V_{DD} = 1.65\text{ V}$ to 1.95 V	$0.65 V_{CC}$			V
Input Low Voltage	V_{INL}	$V_{DD} = 2.25\text{ V}$ to 2.75 V			0.7	V
	V_{INL}	$V_{DD} = 1.65\text{ V}$ to 1.95 V			$0.35 V_{CC}$	V
Input Leakage Current	I_i	$0\text{ V} \leq V_{IN} \leq 2.75\text{ V}$		± 0.1	± 1	μA

Parameter	Symbol	Test Conditions/Comments	B Version			Unit
			Min	Typ ¹	Max	
CAPACITANCE ³						
RF On Capacitance	C _{RF ON}	f = 1 MHz		1.6		pF
CTRL Input Capacitance	C _{CTRL}	f = 1 MHz		2		pF
POWER REQUIREMENTS						
V _{DD}			1.65		2.75	V
Quiescent Power Supply Current	I _{DD}	Digital inputs = 0 V or V _{DD}		0.1	1	μA

¹ Typical values are at V_{DD} = 2.5 V and 25°C, unless otherwise stated.

² Point at which insertion loss degrades by 1 dB.

³ Guaranteed by design, not subject to production test.

⁴ The dc transience at the output of any port of the switch when the control voltage is switched from high to low or low to high in a 50 Ω test setup, measured with 1 ns rise time pulses and 500 MHz bandwidth.

ABSOLUTE MAXIMUM RATINGS

$T_A = 25^\circ\text{C}$, unless otherwise noted.

Table 2.

Parameter	Rating
V_{DD} to GND	-0.5 V to +4 V
Inputs to GND	-0.5 V to $V_{DD} + 0.3\text{ V}$ ¹
Continuous Current	30 mA
Input Power	18 dBm
Operating Temperature Range	
Industrial (B Version)	-40°C to +85°C
Storage Temperature Range	-65°C to +150°C
Junction Temperature	150°C
θ_{JA} Thermal Impedance	
MSOP	206°C/W
LFCSP	
2-Layer Board	84°C/W
4-Layer Board	48°C/W
Lead Temperature, Soldering (10 sec)	300°C
IR Reflow, Peak Temperature (<20 sec)	235°C
ESD	1 kV

¹RF1 and RF2 off port inputs to ground: -0.5 V to $V_{DD} - 0.5\text{ V}$.

Stresses at or above those listed under Absolute Maximum Ratings may cause permanent damage to the product. This is a stress rating only; functional operation of the product at these or any other conditions above those indicated in the operational section of this specification is not implied. Operation beyond the maximum operating conditions for extended periods may affect product reliability.

ESD CAUTION



ESD (electrostatic discharge) sensitive device. Charged devices and circuit boards can discharge without detection. Although this product features patented or proprietary protection circuitry, damage may occur on devices subjected to high energy ESD. Therefore, proper ESD precautions should be taken to avoid performance degradation or loss of functionality.

PIN CONFIGURATIONS AND FUNCTION DESCRIPTIONS

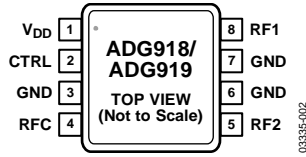
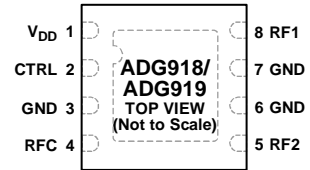


Figure 4. ADG918/ADG919 Pin Configuration (MSOP)



NOTES
 1. EXPOSED PAD. TIE THE EXPOSED PAD TO SUBSTRATE, GND.

Figure 5. ADG918/ADG919 Pin Configuration (LFCSP)

Table 3. Pin Function Descriptions

Pin No.		Mnemonic	Function
MSOP	LFCSP		
1	1	V _{DD}	Power Supply Input. These devices can be operated from 1.65 V to 2.75 V; decouple V _{DD} to GND.
2	2	CTRL	Logic Control Input. See Table 4.
3, 6, 7	3, 6, 7	GND	Ground Reference Point for All Circuitry on the Device.
4	4	RFC	COMMON RF Port for Switch.
5	5	RF2	RF2 Port.
8	8	RF1	RF1 Port.
Not applicable	0	EPAD	Exposed Pad. Tie the exposed pad to substrate, GND.

Table 4. Truth Table

CTRL	Signal Path
0	RF2 to RFC
1	RF1 to RFC

TYPICAL PERFORMANCE CHARACTERISTICS

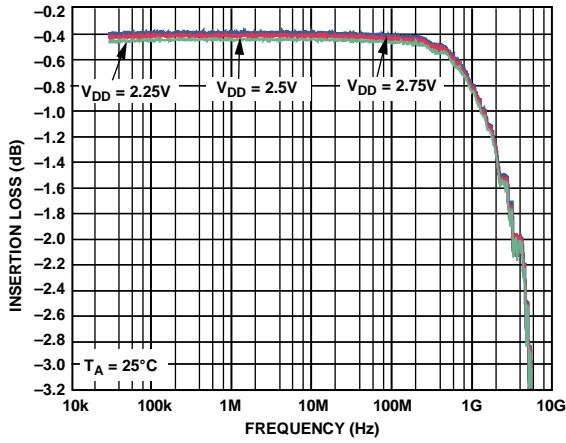


Figure 6. Insertion Loss vs. Frequency over Supplies (RF1/RF2, S12, and S21)

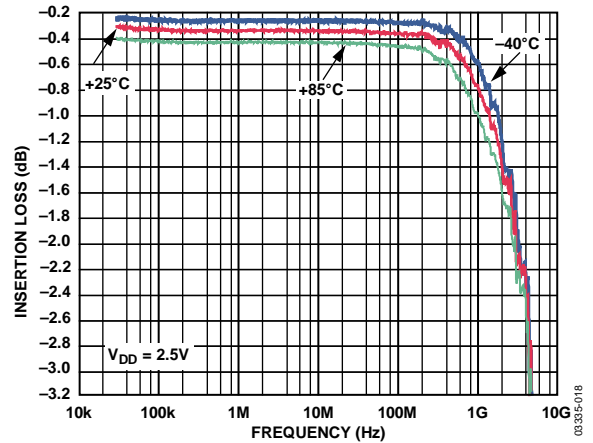


Figure 9. Insertion Loss vs. Frequency over Temperature (RF1/RF2, S12, and S21)

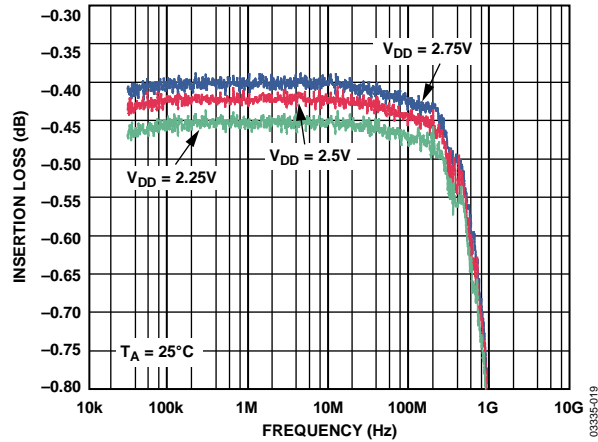


Figure 7. Insertion Loss vs. Frequency over Supplies (RF1/RF2, S12, and S21) (Zoomed Figure 5 Plot)

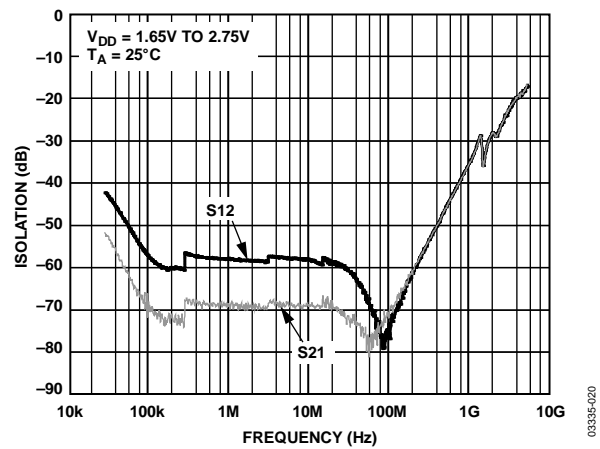


Figure 10. Isolation vs. Frequency over Supplies (RF1/RF2, ADG918)

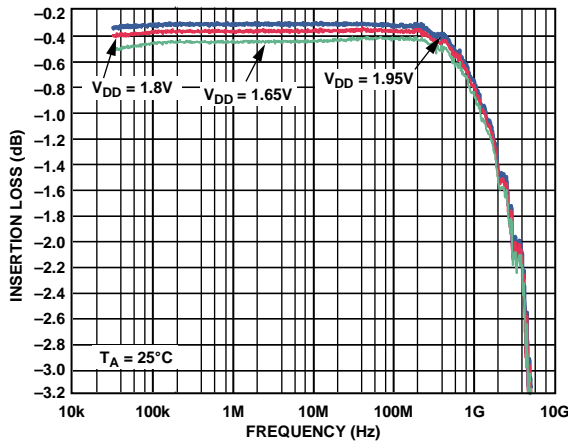


Figure 8. Insertion Loss vs. Frequency over Supplies (RF1/RF2, S12, and S21)

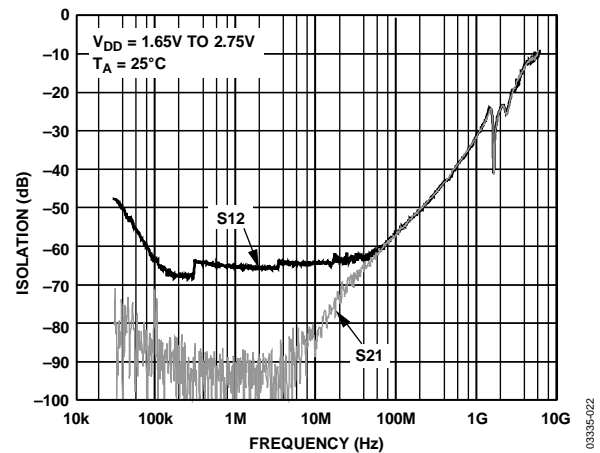
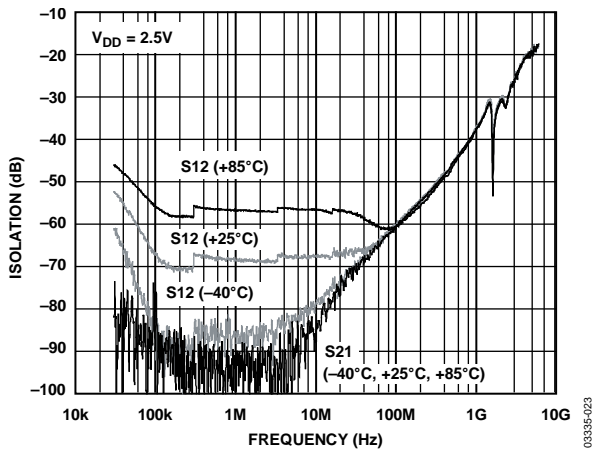
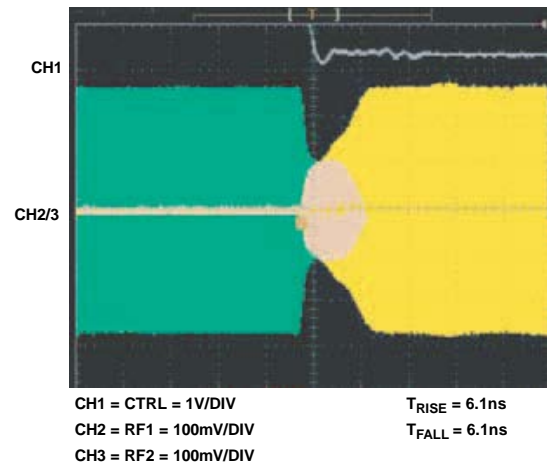


Figure 11. Isolation vs. Frequency over Supplies (RF1/RF2, ADG919)



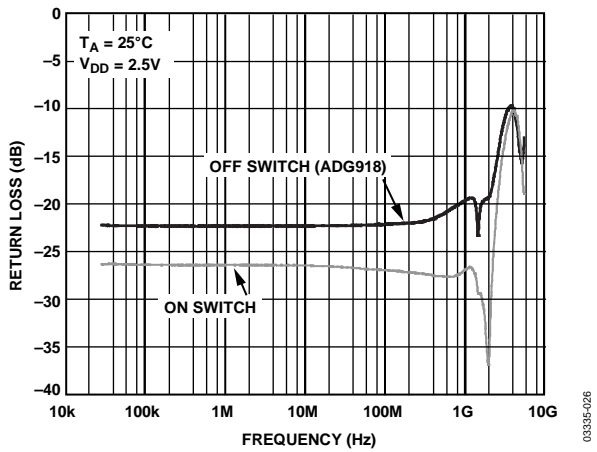
03335-023

Figure 12. Isolation vs. Frequency over Temperature (RF1/RF2, ADG919)



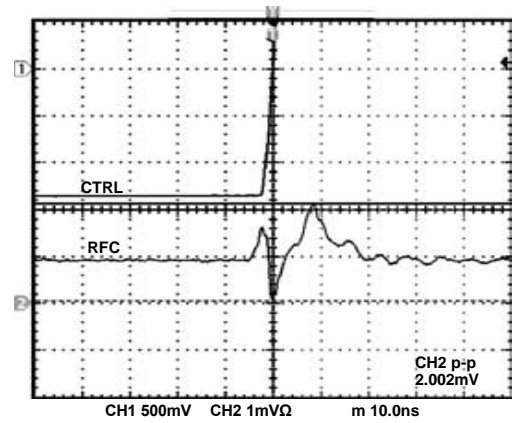
03335-024

Figure 15. Switch Timing



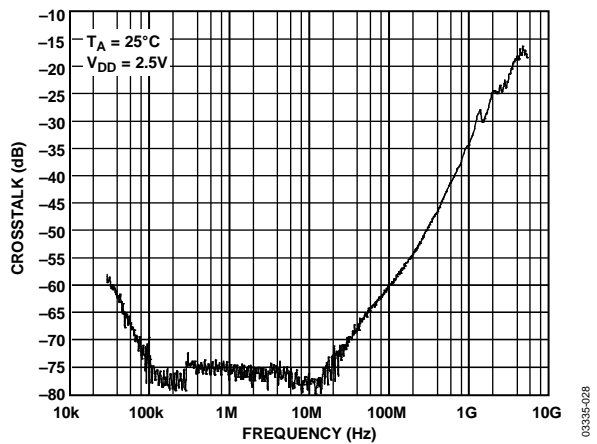
03335-026

Figure 13. Return Loss vs. Frequency (RF1/RF2, S11)



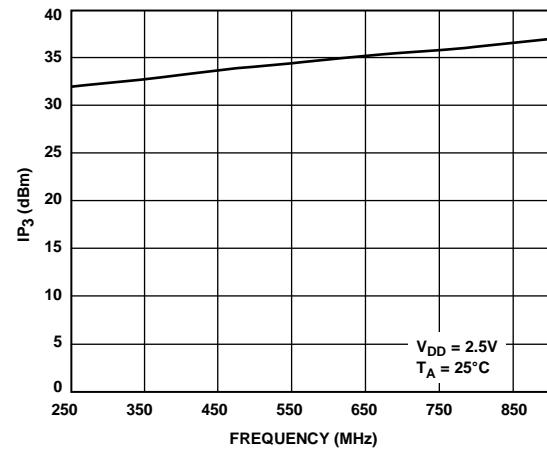
03335-027

Figure 16. Video Feedthrough



03335-028

Figure 14. Crosstalk vs. Frequency (RF1/RF2, S12, S21)



03335-029

Figure 17. IP3 vs. Frequency

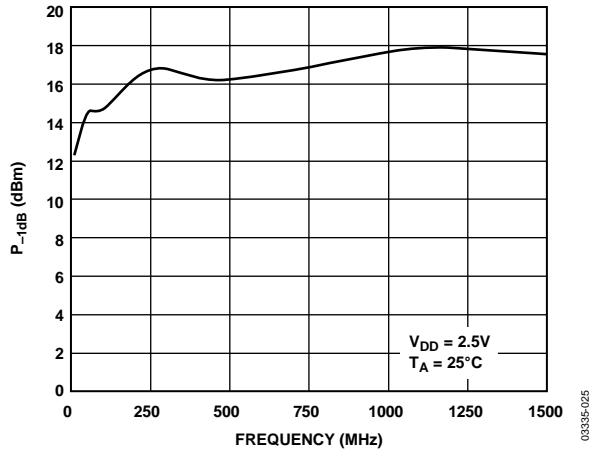


Figure 18. P_{-1dB} vs. Frequency

03335-025

TERMINOLOGY

V_{DD}

Most positive power supply potential.

I_{DD}

Positive supply current.

GND

Ground (0 V) reference.

CTRL

Logic control input.

V_{INL}

Maximum input voltage for Logic 0.

V_{INH}

Minimum input voltage for Logic 1.

I_{INL} (I_{INH})

Input current of the digital input.

C_{IN}

Digital input capacitance.

t_{ON}

Delay between applying the digital control input and the output switching on.

t_{OFF}

Delay between applying the digital control input and the output switching off.

t_{RISE}

Rise time; time for the RF signal to rise from 10% to 90% of the on level.

t_{FALL}

Fall time; time for the RF signal to fall from 90% to 10% of the on level.

Off Isolation

The attenuation between the input and output ports of the switch when the switch control voltage is in the off condition.

Insertion Loss

The attenuation between the input and output ports of the switch when the switch control voltage is in the on condition.

P_{-1 dB}

1 dB compression point. The RF input power level at which the switch insertion loss increases by 1 dB over the low level value. It is a measure of how much power the on switch can handle before the insertion loss increases by 1 dB.

IP₃

Third order intermodulation intercept. This is a measure of the power in false tones that occur when closely spaced tones are passed through a switch, whereby the nonlinearity of the switch causes these false tones to be generated.

Return Loss

The amount of reflected power relative to the incident power at a port. Large return loss indicates good matching. By measuring return loss, the VSWR (voltage standing wave ratio) can be calculated from conversion charts. VSWR indicates the degree of matching present at a switch RF port.

Video Feedthrough

Spurious signals present at the RF ports of the switch when the control voltage is switched from high to low or low to high without an RF signal present.

TEST CIRCUITS

Setups for the ADG918 are similar.

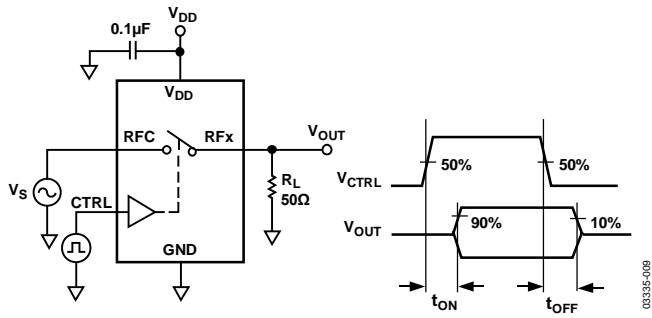


Figure 19. Switch Timing: t_{ON} , t_{OFF}

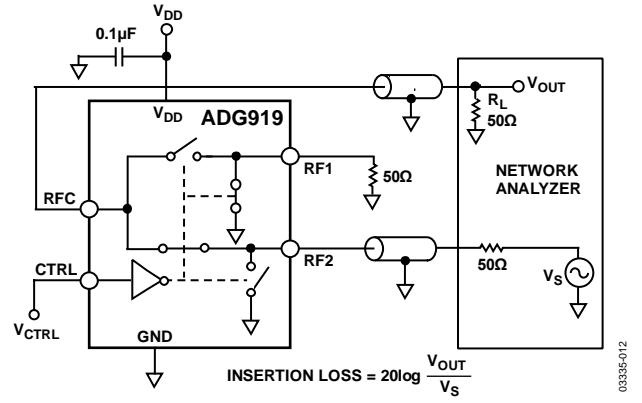


Figure 22. Insertion Loss

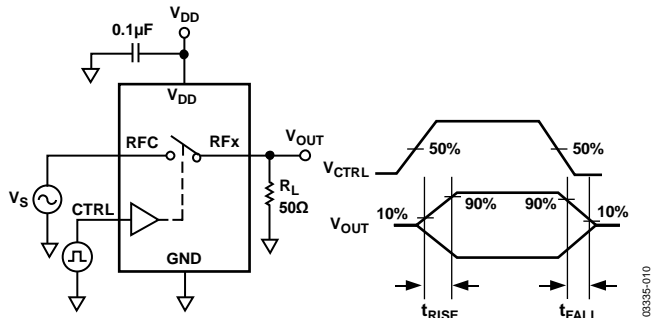


Figure 20. Switch

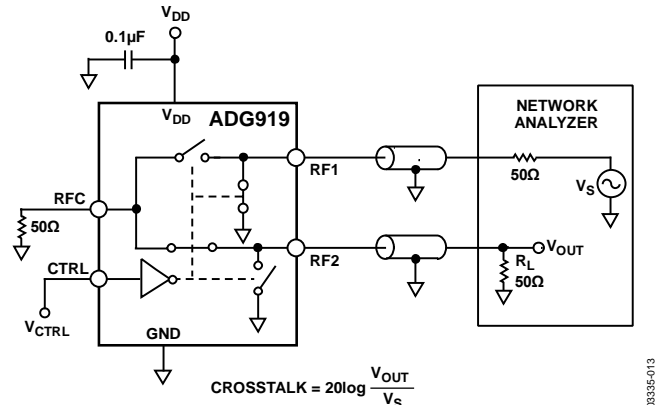


Figure 23. Crosstalk

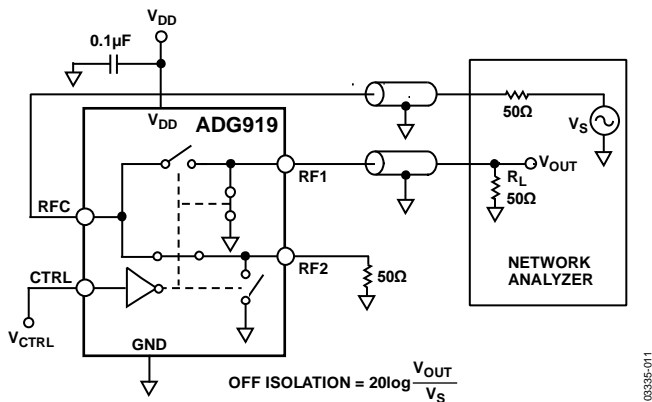


Figure 21. Off Isolation

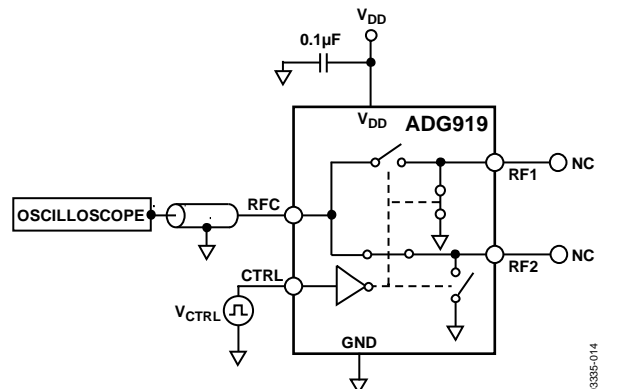


Figure 24. Video Feedthrough

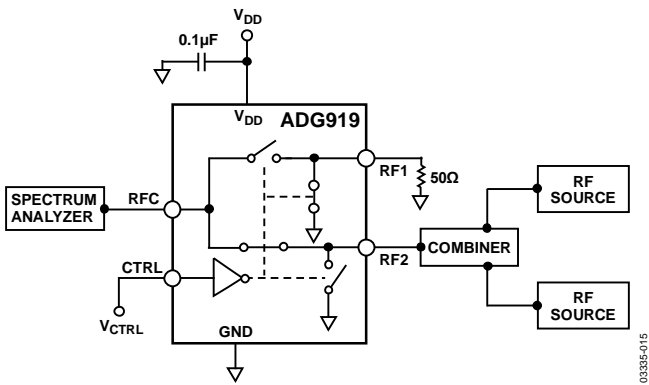


Figure 25. IP_3

03335-015

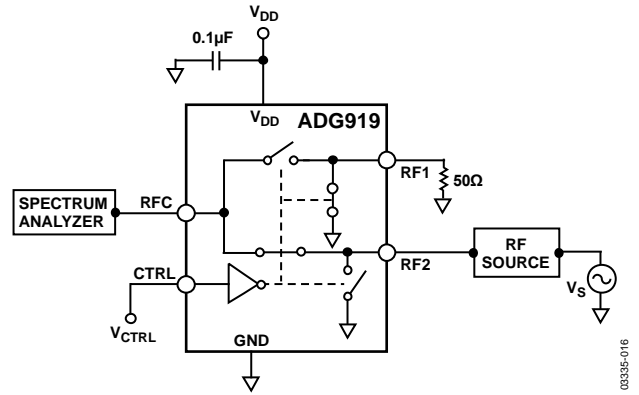


Figure 26. P_{-1dB}

03335-016

APPLICATIONS INFORMATION

The ADG918/ADG919 are ideal solutions for low power, high frequency applications. The low insertion loss, high isolation between ports, low distortion, and low current consumption of these devices make them excellent solutions for many high frequency switching applications. The most obvious application is in a transmit/receive block, as shown in the wireless metering block diagram in Figure 27.

Other applications include switching between high frequency filters, an ASK generator, an FSK generator, and an antenna diversity switch in many tuner modules.

ABSORPTIVE VS. REFLECTIVE SWITCH

The ADG918 is an absorptive (matched) switch with 50 Ω terminated shunt legs, and the ADG919 is a reflective switch with 0 Ω terminated shunts to ground. The ADG918 absorptive switch has a good VSWR on each port, regardless of the switch mode. An absorptive switch must be used when there is a need for a good VSWR that is looking into the port but not passing the through signal to the common port. The ADG918 is therefore ideal for applications that require minimum reflections back to the RF source. It also ensures that the maximum power is transferred to the load.

The ADG919 reflective switch is suitable for applications where high off port VSWR does not matter and the switch has some other desired performance feature. It can be used in many applications, including high speed filter selection. In most cases, an absorptive switch can be used instead of a reflective switch, but not vice versa.

WIRELESS METERING

The ADG918 can be used in wireless metering applications. It can be used in conjunction with the ADF7020 transceiver IC for a utility metering transceiver application, providing the required isolation between the transmit and receive signals.

The SPDT configuration isolates the high frequency receive signal from the high frequency transmit.

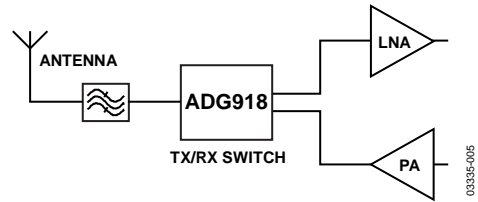


Figure 27. Wireless Metering

TUNER MODULES

The ADG918 can be used in a tuner module to switch between the cable TV input and the off-air antenna. This device is also ideal for use as an antenna diversity switch, switching different antenna to the tuner.

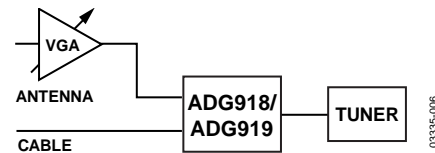


Figure 28. Tuner Modules

FILTER SELECTION

The ADG919 can be used as a 2:1 demultiplex to switch high frequency signals between different filters and also to multiplex the signal to the output.

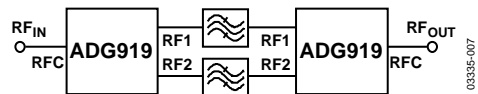


Figure 29. Filter Selection

ADG918/ADG919 EVALUATION BOARD

The ADG918/ADG919 evaluation board allows designers to evaluate the high performance wideband switches with a minimum of effort.

In addition to the evaluation board, the user requires only a power supply and a network analyzer. An application note is available with the evaluation board and gives complete information about operating the evaluation board.

The RFC port (see Figure 30) is connected through a $50\ \Omega$ transmission line to the top left SMA connector J1. RF1 and RF2 are connected through $50\ \Omega$ transmission lines to the top two SMA connectors, J2 and J3 respectively. A through transmission line connects J4 and J5 and estimates the loss of the PCB over the environmental conditions being evaluated.

The board is constructed of a 4-layer, FR4 material with a dielectric constant of 4.3 and an overall thickness of 0.062 inches. Two ground layers with grounded planes provide ground for the RF transmission lines. The transmission lines were designed using a coplanar waveguide with ground plane model using a trace width of 0.052 inches, a clearance to ground plane of 0.030 inches, a dielectric thickness of 0.029 inches, and a metal thickness of 0.014 inches.

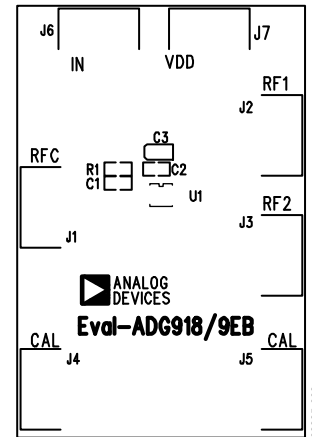


Figure 30. ADG918/ADG919 Evaluation Board Top View

OUTLINE DIMENSIONS

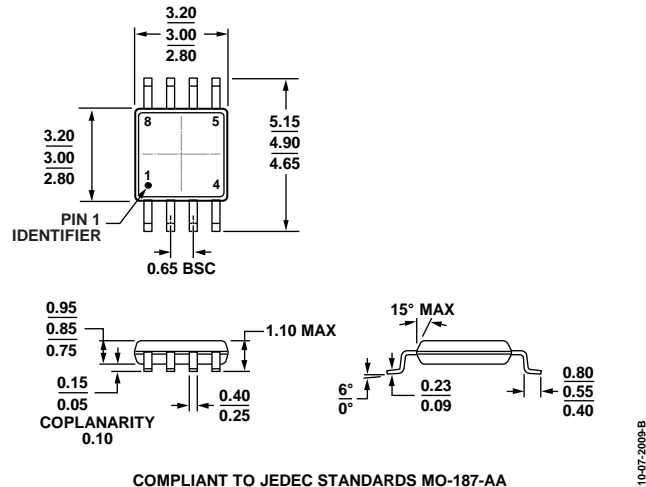


Figure 31. 8-Lead Mini Small Outline Package [MSOP] (RM-8)

Dimensions shown in millimeters

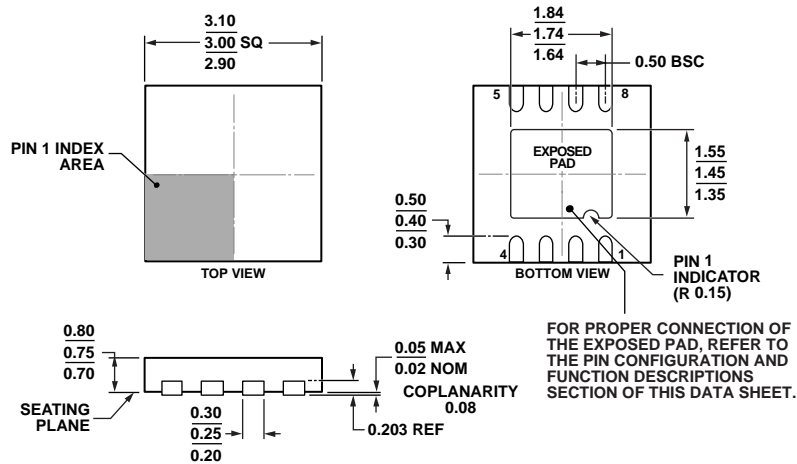


Figure 32. 8-Lead Lead Frame Chip Scale Package [LFCSPP] 3 mm x 3 mm Body and 0.75 mm Package Height (CP-8-13)

Dimensions shown in millimeters

ORDERING GUIDE

Model ¹	Temperature Range	Package Description	Package Option	Branding
ADG918BRM	-40°C to +85°C	8-Lead Mini Small Outline Package [MSOP]	RM-8	W4B
ADG918BRM-REEL7	-40°C to +85°C	8-Lead Mini Small Outline Package [MSOP]	RM-8	W4B
ADG918BRMZ	-40°C to +85°C	8-Lead Mini Small Outline Package [MSOP]	RM-8	W4B#
ADG918BRMZ-500RL7	-40°C to +85°C	8-Lead Mini Small Outline Package [MSOP]	RM-8	W4B#
ADG918BRMZ-REEL	-40°C to +85°C	8-Lead Mini Small Outline Package [MSOP]	RM-8	W4B#
ADG918BRMZ-REEL7	-40°C to +85°C	8-Lead Mini Small Outline Package [MSOP]	RM-8	W4B#
ADG918BCPZ-500RL7	-40°C to +85°C	8-Lead Lead Frame Chip Scale Package [LFCSP]	CP-8-13	W4B#
ADG918BCPZ-REEL7	-40°C to +85°C	8-Lead Lead Frame Chip Scale Package [LFCSP]	CP-8-13	W4B#
ADG919BRMZ	-40°C to +85°C	8-Lead Mini Small Outline Package [MSOP]	RM-8	S1X
ADG919BRMZ-REEL7	-40°C to +85°C	8-Lead Mini Small Outline Package [MSOP]	RM-8	S1X
ADG919BCPZ-REEL7	-40°C to +85°C	8-Lead Lead Frame Chip Scale Package [LFCSP]	CP-8-13	S1X
EVAL-ADG918EBZ		Evaluation Board		
EVAL-ADG919EBZ		Evaluation Board		

¹ Z = RoHS Compliant Part, # denotes RoHS compliant product may be top or bottom marked.

Looking for pricing, stock, or lifecycle information?

Click below to explore more details on WIN SOURCE:

 [View ADG918BCP-REEL7 on WIN SOURCE](#)

 [Analog Devices Inc. Information](#)

Optimize Your Supply Chain with WIN SOURCE Solutions

-  Global Sourcing Solution
-  Obsolete Management
-  Cost Control Management
-  Shortage Management
-  Alternative Solution
-  Excess Inventory Management