

ACPM-7617

Multiband, Multimode PA Quad-Band GSM/EDGE and Multi Mode B1/B2/B3/B4/B5(26)/B8/B17

Product Brief

Description

The ACPM- 7617 is a multiband, multimode PA (power amplifier) that supports GMSK and 8-PSK modulation schemes and UMTS/LTE bands 1, 2, 3, 4, 5, 8, and 17. The ACPM-7617 is designed to support ET (envelope tracking).

Input and output terminals are internally matched to 50 ohms. The power amplifier is manufactured on an advanced InGaP HBT technology that offers state-of-the-art reliability, temperature stability, and ruggedness. This module is housed in a cost effective, extremely small and thin 5 mm × 7 mm package.

Features

- Quad band GSM/EDGE
- UMTS/LTE B1, B2, B3, B4, B5, B8, and B17
- Compatible with MIPI RFFE
- Small size (7 mm ×5 mm)
- Excellent linearity
- High efficiency
- Bias (quiescent current) control by MIPI RFFE
- 42-pin surface mounting package
- Internal 50-ohm matching networks for both RF input and output
- Green – Lead-free and RoHS compliant

Application

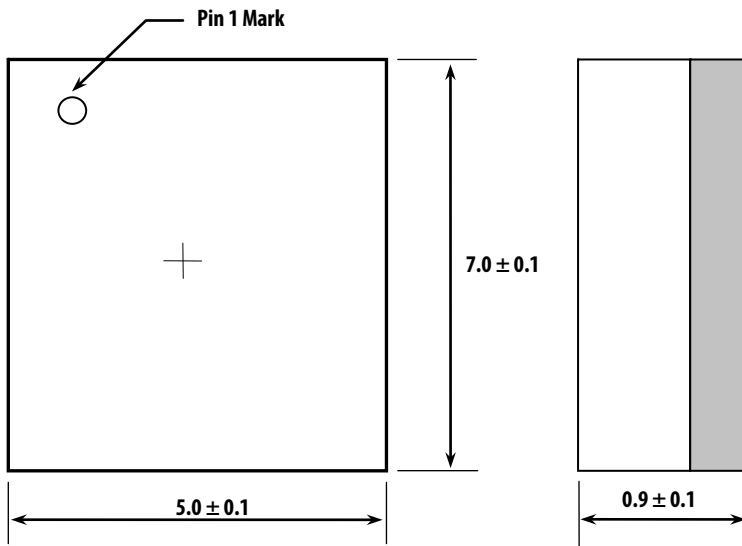
- GSM850/900, DCS1800/PCS1900
- UMTS/LTE B1
- UMTS/LTE B2
- UMTS/LTE B3
- UMTS/LTE B4
- UMTS/LTE B5
- UMTS/LTE B8
- LTE B17

Ordering Information

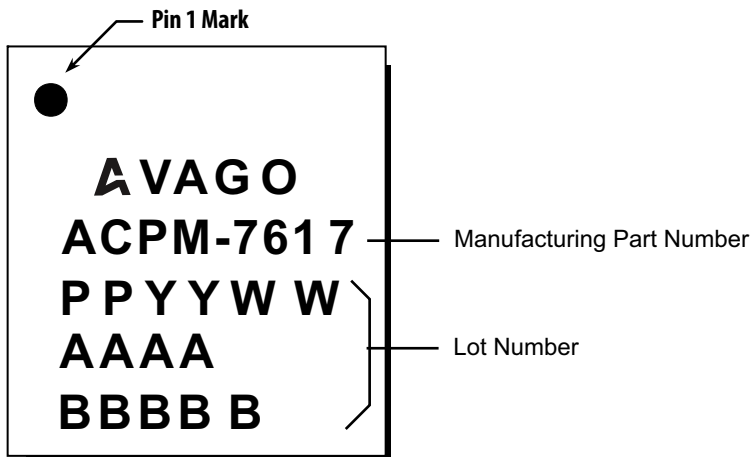
Part Number	Number of Devices	Container
ACPM-7617-TR1	1,000	178 mm (7 in.) tape/reel

Package Dimensions

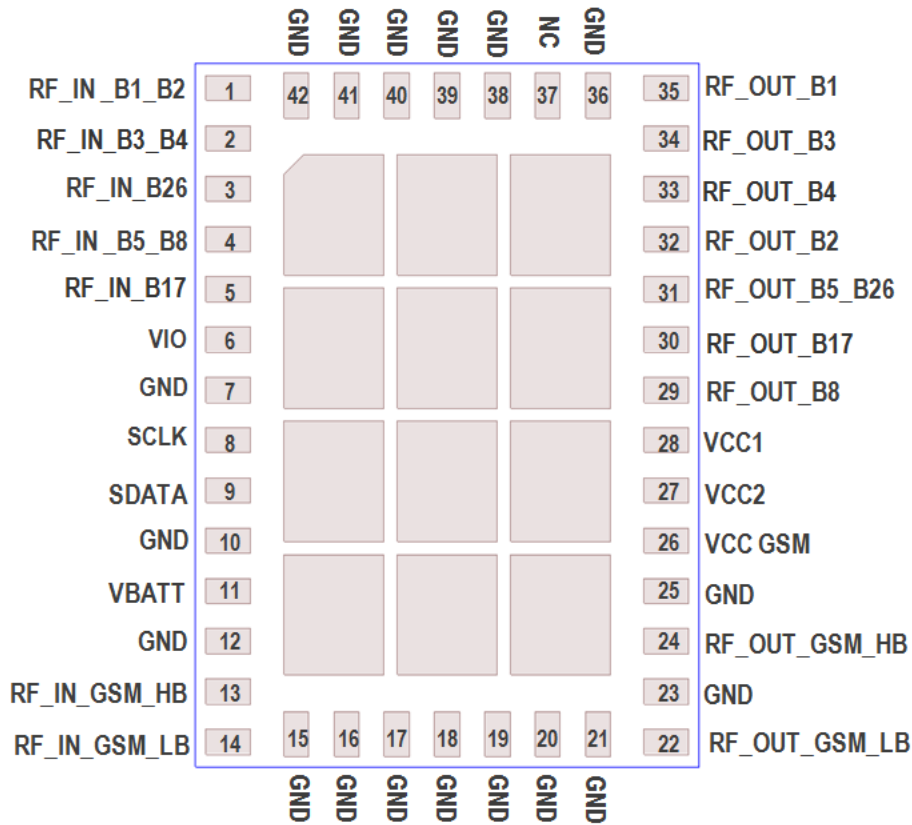
The dimensions are in millimeters.



Marking Specification



Pin Description



For product information and a complete list of distributors, please go to our web site:

www.avagotech.com

Avago, Avago Technologies, and the A logo are trademarks of Avago Technologies in the United States and other countries. All other brand and product names may be trademarks of their respective companies.



Data subject to change. Copyright © 2015 Avago Technologies. All Rights Reserved.

AV02-4874EN – 2015-03-24



Looking for pricing, stock, or lifecycle information?

Click below to explore more details on WIN SOURCE:

-  [View ACPM-7617-SG1 on WIN SOURCE](#)
-  [Broadcom Limited Information](#)

Optimize Your Supply Chain with WIN SOURCE Solutions

-  Global Sourcing Solution
-  Obsolete Management
-  Cost Control Management
-  Shortage Management
-  Alternative Solution
-  Excess Inventory Management