



THE DATASHEET OF
9015

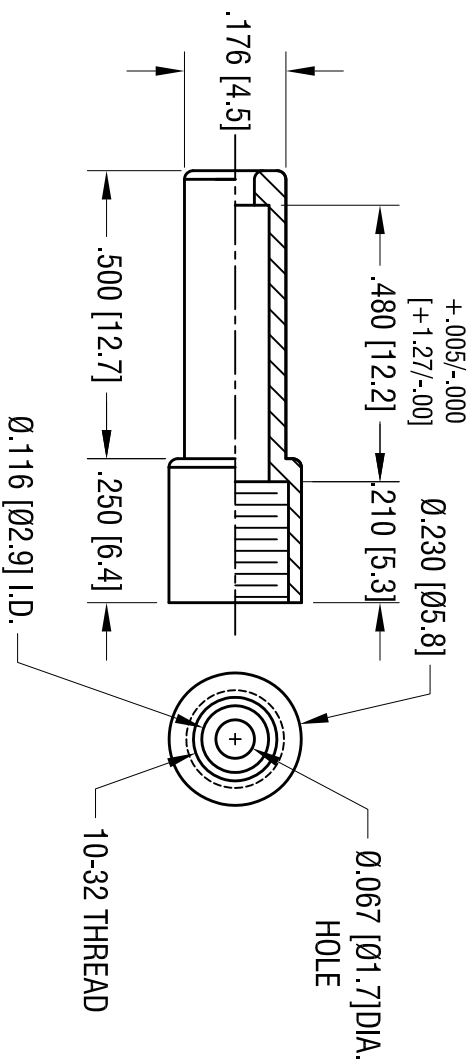


DATE

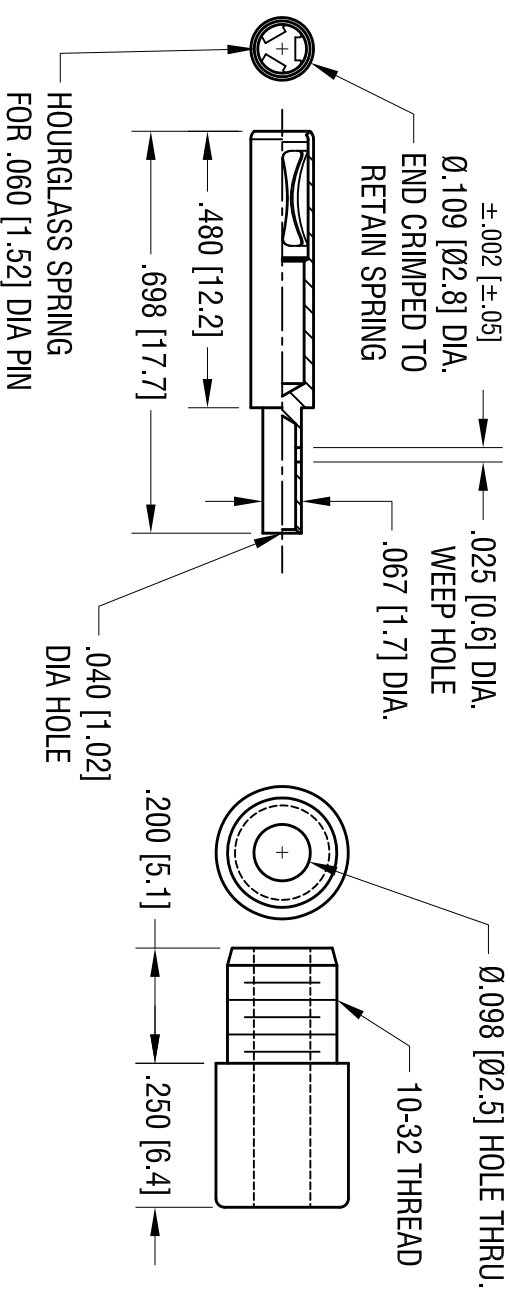
DESCRIPTION

REV.

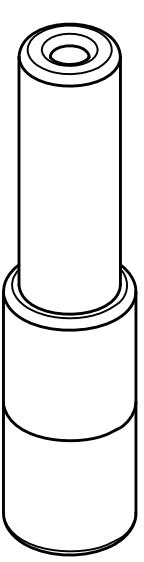
INSULATOR BASE



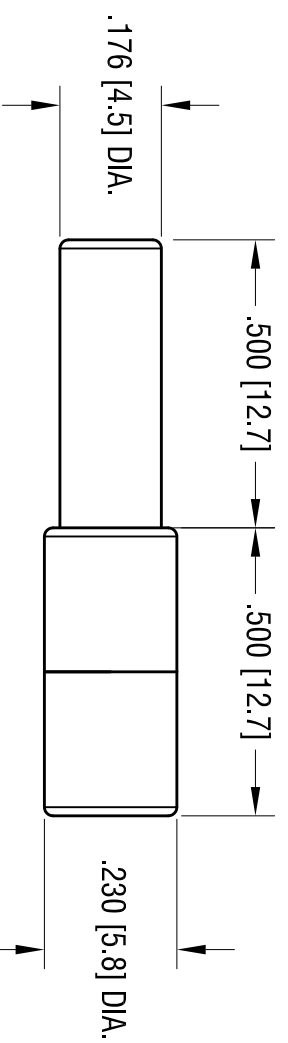
BODY



INSULATOR CAP



PART NUMBER	COLOR
9012	WHITE
9013	RED
9014	BLACK
9015	GREEN
9016	YELLOW
9017	BLUE



NOTES:

- INSULATOR - POLYCARBONATE
BODY - BRASS, GOLD PLATE
CONTACT - BERYLLIUM COPPER, GOLD PLATE
- SUPPLIED UNASSEMBLED

KEYSTONE ELECTRONICS CORP.

www.keystone.com • ASTORIA, N.Y. 11105-2017 • Tel (718) 956-8900

PART NAME

SHROUDED SPRING CONTACT

MATERIAL

AS NOTED

FINISH

AS NOTED

TOLERANCES INCH [MM]
 DECIMAL $\pm .005$ [± 0.15]
 ANGULAR $\pm 1^\circ$
 UNLESS OTHERWISE SPECIFIED

CODE C/M
 DWG. NO.

DRN BY HAMILTON
 APP'D DATE 28MAY09
 SCALE 3X

9012-9017

THIS DOCUMENT IS THE PROPERTY OF
 KEYSTONE ELECTRONICS CORP. AND
 SHALL NOT BE REPRODUCED, DISTRIBUTED
 OR USED AS A BASIS FOR MANUFACTURE
 WITHOUT PRIOR WRITTEN PERMISSION
 FROM KEYSTONE ELECTRONICS CORP.

Looking for pricing, stock, or lifecycle information?

Click below to explore more details on WIN SOURCE:

- [View 9015 on WIN SOURCE](#)
- [Keystone Electronics Information](#)

Optimize Your Supply Chain with WIN SOURCE Solutions

- ✓ Global Sourcing Solution
- ✓ Obsolete Management
- ✓ Cost Control Management
- ✓ Shortage Management
- ✓ Alternative Solution
- ✓ Excess Inventory Management