



**THE DATASHEET OF
74LVC1G11FW4-7**



Description

The 74LVC1G11 is a single 3-input positive AND gate with a standard push-pull output. The device is designed for operation with a power supply range of 1.65V to 5.5V. The inputs are tolerant to 5.5V allowing this device to be used in a mixed voltage environment. The device is fully specified for partial power down applications using IOFF. The IOFF circuitry disables the output preventing damaging current backflow when the device is powered down.

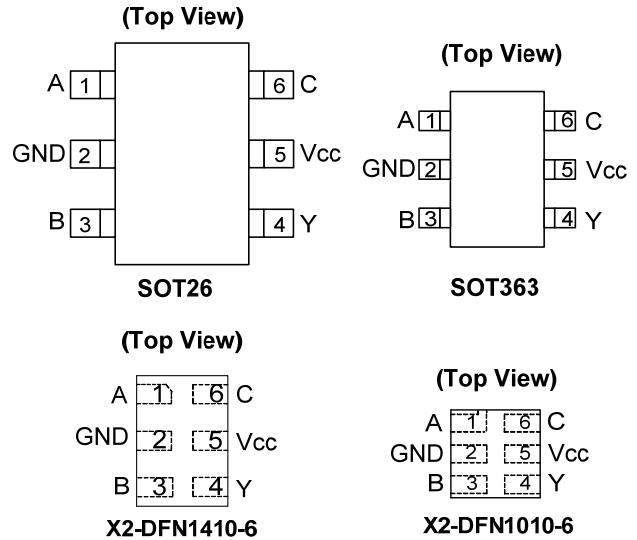
The gate performs the positive Boolean function:

$$Y = A \cdot B \cdot C \quad \text{or} \quad Y = \overline{\overline{A + B + C}}$$

Features

- Wide Supply Voltage Range from 1.65V to 5.5V
- ± 24mA Output Drive at 3.3V
- CMOS Low Power Consumption
- IOFF Supports Partial-Power-Down Mode Operation
- Inputs Accept up to 5.5V
- ESD Protection Exceeds JESD 22:
 - 200-V Machine Model (A115-A)
 - 2000-V Human Body Model (A114-A)
- Latch-Up Exceeds 100mA per JESD 78, Class I
- Range of Package Options
- **Totally Lead-Free & Fully RoHS Compliant (Notes 1 & 2)**
- **Halogen and Antimony Free. "Green" Device (Note 3)**

Pin Assignments



Applications

- Voltage Level Shifting
- General Purpose Logic
- Power Down Signal Isolation
- Wide array of products such as:
 - PCs, networking, notebooks, Netbooks, PDAs
 - Computer Peripherals, Hard Drives, CD/DVD ROM
 - TV, DVD, DVR, Set Top Box
 - Cell Phones, Personal Navigation / GPS
 - MP3 players, Cameras, Video Recorders

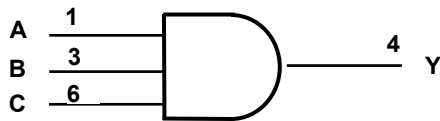
- Notes:
1. No purposely added lead. Fully EU Directive 2002/95/EC (RoHS) & 2011/65/EU (RoHS 2) compliant.
 2. See http://www.diodes.com/quality/lead_free.html for more information about Diodes Incorporated's definitions of Halogen- and Antimony-free, "Green" and Lead-free.
 3. Halogen- and Antimony-free "Green" products are defined as those which contain <900ppm bromine, <900ppm chlorine (<1500ppm total Br + Cl) and <1000ppm antimony compounds.

[Click here for ordering information, located at the end of datasheet](#)

Pin Descriptions

| Pin Name | Function |
|-----------------|----------------|
| A | Data Input |
| GND | Ground |
| B | Data Input |
| Y | Data Output |
| V _{CC} | Supply Voltage |
| C | Data Input |

Logic Diagram



Function Table

| Inputs | | | Output |
|--------|---|---|--------|
| A | B | C | Y |
| H | H | H | H |
| L | X | X | L |
| X | L | X | L |
| X | X | L | L |

Absolute Maximum Ratings (Note 4) (@T_A = +25°C, unless otherwise specified.)

| Symbol | Parameter | Rating | Unit |
|--------------------------|---|-------------------------------|------|
| ESD HBM | Human Body Model ESD Protection | 2 | kV |
| ESD MM | Machine Model ESD Protection | 200 | V |
| V _{CC} | Supply Voltage Range | -0.5 to 6.5 | V |
| V _I | Input Voltage Range | -0.5 to 6.5 | V |
| V _O | Voltage applied to output in high impedance or I _{OFF} state | -0.5 to 6.5 | V |
| V _O | Voltage applied to output in high or low state | -0.3 to V _{CC} + 0.5 | V |
| I _{IK} | Input Clamp Current V _I < 0 | -50 | mA |
| I _{OK} | Output Clamp Current | -50 | mA |
| I _O | Continuous output current | ±50 | mA |
| I _{CC MAX CONT} | Continuous current through V _{CC} or GND | ±100 | mA |
| T _J | Operating Junction Temperature | -40 to +150 | °C |
| T _{STG} | Storage Temperature | -65 to +150 | °C |

Note: 4. Stresses beyond the absolute maximum may result in immediate failure or reduced reliability. These are stress values and device operation should be within recommend values.

Recommended Operating Conditions (Note 5) (@ $T_A = +25^\circ\text{C}$, unless otherwise specified.)

| Symbol | Parameter | Min | Max | Unit | |
|---------------------|------------------------------------|--|----------------------|----------------------|------|
| V_{CC} | Operating Voltage | Operating | 1.65 | 5.5 | V |
| | | Data Retention Only | 1.5 | | V |
| V_{IH} | High-Level Input Voltage | $V_{CC} = 1.65\text{V to }1.95\text{V}$ | $0.65 \times V_{CC}$ | | V |
| | | $V_{CC} = 2.3\text{V to }2.7\text{V}$ | 1.7 | | |
| | | $V_{CC} = 3\text{V to }3.6\text{V}$ | 2 | | |
| | | $V_{CC} = 4.5\text{V to }5.5\text{V}$ | $0.7 \times V_{CC}$ | | |
| V_{IL} | Low-Level Input Voltage | $V_{CC} = 1.65\text{V to }1.95\text{V}$ | | $0.35 \times V_{CC}$ | V |
| | | $V_{CC} = 2.3\text{V to }2.7\text{V}$ | | 0.7 | |
| | | $V_{CC} = 3\text{V to }3.6\text{V}$ | | 0.8 | |
| | | $V_{CC} = 4.5\text{V to }5.5\text{V}$ | | $0.3 \times V_{CC}$ | |
| V_I | Input Voltage | 0 | 5.5 | V | |
| V_O | Output Voltage | 0 | V_{CC} | V | |
| I_{OH} | High-Level Output Current | $V_{CC} = 1.65\text{V}$ | | -4 | mA |
| | | $V_{CC} = 2.3\text{V}$ | | -8 | |
| | | $V_{CC} = 3\text{V}$ | | -16 | |
| | | $V_{CC} = 4.5\text{V}$ | | -24 | |
| I_{OL} | Low-Level Output Current | $V_{CC} = 1.65\text{V}$ | | 4 | mA |
| | | $V_{CC} = 2.3\text{V}$ | | 8 | |
| | | $V_{CC} = 3\text{V}$ | | 16 | |
| | | $V_{CC} = 4.5\text{V}$ | | 24 | |
| $\Delta t/\Delta V$ | Input Transition Rise or Fall Rate | $V_{CC} = 1.8\text{V} \pm 0.15\text{V}, 2.5\text{V} \pm 0.2\text{V}$ | | 20 | ns/V |
| | | $V_{CC} = 3.3\text{V} \pm 0.3\text{V}$ | | 10 | |
| | | $V_{CC} = 5\text{V} \pm 0.5\text{V}$ | | 5 | |
| T_A | Operating Free-Air Temperature | -40 | +125 | $^\circ\text{C}$ | |

Note: 5. Unused inputs should be held at V_{CC} or Ground.

Electrical Characteristics $T_A = -40^{\circ}\text{C}$ to $+85^{\circ}\text{C}$ (All typical values are at $V_{CC} = 3.3\text{V}$, $T_A = +25^{\circ}\text{C}$, unless otherwise specified.)

| Symbol | Parameter | Test Conditions | V_{CC} | Min | Typ | Max | Unit |
|-----------------|----------------------------|---------------------------------------|---------------|----------------|-----|----------|---------------|
| V_{OH} | High-Level Output Voltage | $I_{OH} = -100\mu\text{A}$ | 1.65V to 5.5V | $V_{CC} - 0.1$ | | | V |
| | | $I_{OH} = -4\text{mA}$ | 1.65V | 1.2 | | | |
| | | $I_{OH} = -8\text{mA}$ | 2.3V | 1.9 | | | |
| | | $I_{OH} = -16\text{mA}$ | 3V | 2.4 | | | |
| | | $I_{OH} = -24\text{mA}$ | | 2.3 | | | |
| | | $I_{OH} = -32\text{mA}$ | 4.5V | 3.8 | | | |
| V_{OL} | Low-Level Output Voltage | $I_{OL} = 100\mu\text{A}$ | 1.65V to 5.5V | | | 0.1 | V |
| | | $I_{OL} = 4\text{mA}$ | 1.65V | | | 0.45 | |
| | | $I_{OL} = 8\text{mA}$ | 2.3V | | | 0.3 | |
| | | $I_{OL} = 16\text{mA}$ | 3V | | | 0.4 | |
| | | $I_{OL} = 24\text{mA}$ | | | | 0.55 | |
| | | $I_{OL} = 32\text{mA}$ | 4.5V | | | 0.55 | |
| I_I | Input Current | $V_I = 5.5\text{V}$ or GND | 0 to 5.5V | | | ± 5 | μA |
| I_{OFF} | Power Down Leakage Current | V_I or $V_O = 5.5\text{V}$ | 0 | | | ± 10 | μA |
| I_{CC} | Supply Current | $V_I = 5.5\text{V}$ of GND, $I_O = 0$ | 1.65V to 5.5V | | | 10 | μA |
| ΔI_{CC} | Additional Supply Current | Input at $V_{CC} - 0.6\text{V}$ | 3V to 5.5V | | | 500 | μA |

Electrical Characteristics $T_A = -40^{\circ}\text{C}$ to $+125^{\circ}\text{C}$ (All typical values are at $V_{CC} = 3.3\text{V}$, $T_A = +25^{\circ}\text{C}$, unless otherwise specified.)

| Symbol | Parameter | Test Conditions | V_{CC} | Min | Typ | Max | Unit |
|-----------------|----------------------------|---------------------------------------|---------------|----------------|-----|----------|---------------|
| V_{OH} | High-Level Output Voltage | $I_{OH} = -100\mu\text{A}$ | 1.65V to 5.5V | $V_{CC} - 0.1$ | | | V |
| | | $I_{OH} = -4\text{mA}$ | 1.65V | 0.95 | | | |
| | | $I_{OH} = -8\text{mA}$ | 2.3V | 1.7 | | | |
| | | $I_{OH} = -16\text{mA}$ | 3V | 1.9 | | | |
| | | $I_{OH} = -24\text{mA}$ | | 2.0 | | | |
| | | $I_{OH} = -32\text{mA}$ | 4.5V | 3.4 | | | |
| V_{OL} | Low-Level Output Voltage | $I_{OL} = 100\mu\text{A}$ | 1.65V to 5.5V | | | 0.1 | V |
| | | $I_{OL} = 4\text{mA}$ | 1.65V | | | 0.70 | |
| | | $I_{OL} = 8\text{mA}$ | 2.3V | | | 0.45 | |
| | | $I_{OL} = 16\text{mA}$ | 3V | | | 0.60 | |
| | | $I_{OL} = 24\text{mA}$ | | | | 0.80 | |
| | | $I_{OL} = 32\text{mA}$ | 4.5V | | | 0.80 | |
| I_I | Input Current | $V_I = 5.5\text{V}$ or GND | 0 to 5.5V | | | ± 20 | μA |
| I_{OFF} | Power Down Leakage Current | V_I or $V_O = 5.5\text{V}$ | 0 | | | ± 20 | μA |
| I_{CC} | Supply Current | $V_I = 5.5\text{V}$ of GND, $I_O = 0$ | 1.65V to 5.5V | | | 40 | μA |
| ΔI_{CC} | Additional Supply Current | Input at $V_{CC} - 0.6\text{V}$ | 3V to 5.5V | | | 5000 | μA |

Package Characteristics (All typical values are at $V_{CC} = 3.3V$, $T_A = +25^{\circ}C$, unless otherwise specified.)

| Symbol | Parameter | Test Conditions | V_{CC} | Min | Typ | Max | Unit |
|---------------|--|--------------------------------|----------|-----|-----|-----|---------------|
| C_I | Input Capacitance | $V_I = V_{CC} - \text{or GND}$ | 3.3 | | 3.5 | | pF |
| θ_{JA} | Thermal Resistance Junction-to-Ambient | SOT26 | (Note 6) | | 204 | | $^{\circ}C/W$ |
| | | SOT363 | | 371 | | | |
| | | X2-DFN1410-6 | | 430 | | | |
| | | X2-DFN1010-6 | | 510 | | | |
| θ_{JC} | Thermal Resistance Junction-to-Case | SOT26 | (Note 6) | | 52 | | $^{\circ}C/W$ |
| | | SOT363 | | 143 | | | |
| | | X2-DFN1410-6 | | 190 | | | |
| | | X2-DFN1010-6 | | 250 | | | |

Note: 6. Test condition for SOT26, SOT363, X2-DFN1410-6 and X2-DFN1010-6 : Device mounted on FR-4 substrate PC board, 2oz copper, with minimum recommended pad layout.

Switching Characteristics
 $T_A = -40^{\circ}C \text{ to } +85^{\circ}C$, $C_L = 15pF$ (see Figure 1)

| Parameter | From (Input) | TO (OUTPUT) | $V_{CC} = 1.8V \pm 0.15V$ | | $V_{CC} = 2.5V \pm 0.2V$ | | $V_{CC} = 3.3V \pm 0.3V$ | | $V_{CC} = 5V \pm 0.5V$ | | Unit |
|-----------|--------------|-------------|---------------------------|------|--------------------------|-----|--------------------------|-----|------------------------|-----|------|
| | | | Min | Max | Min | Max | Min | Max | Min | Max | |
| t_{pd} | Any | Y | 1.0 | 15.2 | 0.7 | 5.6 | 0.7 | 4.1 | 0.7 | 3.1 | ns |

 $T_A = -40^{\circ}C \text{ to } +85^{\circ}C$, $C_L = 30 \text{ or } 50pF$ (see Figure 2)

| Parameter | From (Input) | TO (OUTPUT) | $V_{CC} = 1.8V \pm 0.15V$ | | $V_{CC} = 2.5V \pm 0.2V$ | | $V_{CC} = 3.3V \pm 0.3V$ | | $V_{CC} = 5V \pm 0.5V$ | | Unit |
|-----------|--------------|-------------|---------------------------|------|--------------------------|-----|--------------------------|-----|------------------------|-----|------|
| | | | Min | Max | Min | Max | Min | Max | Min | Max | |
| t_{pd} | Any | Y | 1.0 | 17.2 | 0.7 | 6.2 | 0.7 | 4.9 | 0.7 | 3.5 | ns |

 $T_A = -40^{\circ}C \text{ to } +125^{\circ}C$, $C_L = 15 pF$ (see Figure 1)

| Parameter | From (Input) | TO (OUTPUT) | $V_{CC} = 1.8V \pm 0.15V$ | | $V_{CC} = 2.5V \pm 0.2V$ | | $V_{CC} = 3.3V \pm 0.3V$ | | $V_{CC} = 5V \pm 0.5V$ | | Unit |
|-----------|--------------|-------------|---------------------------|------|--------------------------|-----|--------------------------|-----|------------------------|-----|------|
| | | | Min | Max | Min | Max | Min | Max | Min | Max | |
| t_{pd} | Any | Y | 1.0 | 18.3 | 0.7 | 6.7 | 0.7 | 4.9 | 0.7 | 3.7 | ns |

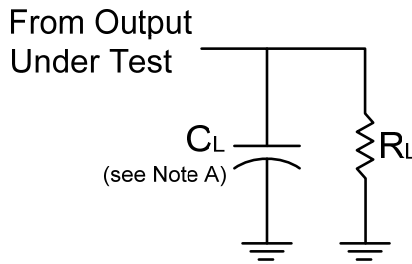
 $T_A = -40^{\circ}C \text{ to } +125^{\circ}C$, $C_L = 30 \text{ or } 50pF$ (see Figure 2)

| Parameter | From (Input) | TO (OUTPUT) | $V_{CC} = 1.8V \pm 0.15V$ | | $V_{CC} = 2.5V \pm 0.2V$ | | $V_{CC} = 3.3V \pm 0.3V$ | | $V_{CC} = 5V \pm 0.5V$ | | Unit |
|-----------|--------------|-------------|---------------------------|------|--------------------------|-----|--------------------------|-----|------------------------|-----|------|
| | | | Min | Max | Min | Max | Min | Max | Min | Max | |
| t_{pd} | Any | Y | 1.0 | 20.7 | 0.7 | 7.5 | 0.7 | 5.9 | 0.7 | 4.2 | ns |

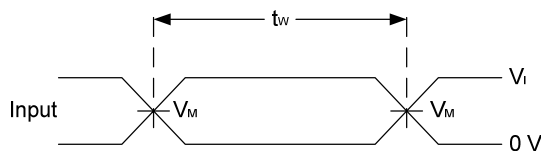
Operating Characteristics (@ $T_A = +25^\circ\text{C}$, unless otherwise specified.)

| Parameter | | Test Conditions | $V_{CC} = 1.8\text{V}$ | $V_{CC} = 2.5\text{V}$ | $V_{CC} = 3.3\text{V}$ | $V_{CC} = 5\text{V}$ | Unit |
|-----------|-------------------------------|---------------------|------------------------|------------------------|------------------------|----------------------|------|
| | | | Typ | Typ | Typ | Typ | |
| C_{pd} | Power dissipation capacitance | $f = 10\text{ MHz}$ | 17 | 18 | 19 | 22 | pF |

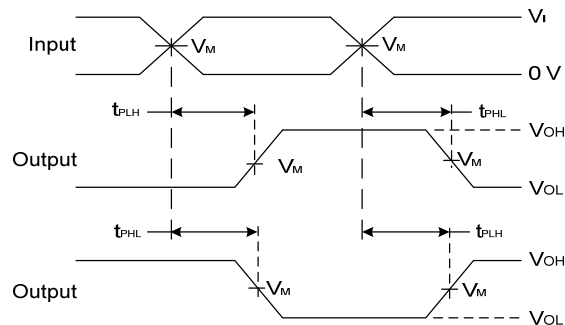
Parameter Measurement Information



| V_{CC} | Inputs | | V_M | C_L | R_L |
|--------------------------------|----------|---------------------|------------|-------|-------------|
| | V_I | t_r/t_f | | | |
| $1.8\text{V} \pm 0.15\text{V}$ | V_{CC} | $\leq 2\text{ns}$ | $V_{CC}/2$ | 15pF | 1M Ω |
| $2.5\text{V} \pm 0.2\text{V}$ | V_{CC} | $\leq 2\text{ns}$ | $V_{CC}/2$ | 15pF | 1M Ω |
| $3.3\text{V} \pm 0.3\text{V}$ | 3V | $\leq 2.5\text{ns}$ | 1.5V | 15pF | 1M Ω |
| $5\text{V} \pm 0.5\text{V}$ | V_{CC} | $\leq 2.5\text{ns}$ | $V_{CC}/2$ | 15pF | 1M Ω |



**Voltage Waveform
Pulse Duration**

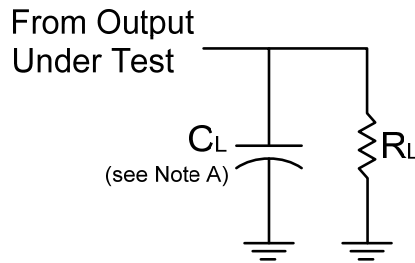


**Voltage Waveform
Propagation Delay Times
Inverting and Non Inverting Outputs**

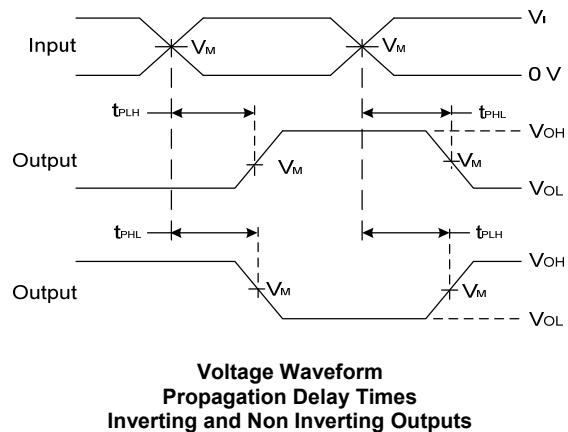
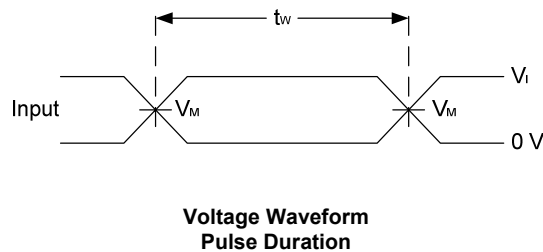
- Notes:
- A. Includes test lead and test apparatus capacitance.
 - B. All pulses are supplied at pulse repetition rate $\leq 10\text{MHz}$
 - C. Inputs are measured separately one transition per measurement
 - D. t_{PLH} and t_{PHL} are the same as t_{PD}

Figure 1 Load Circuit and Voltage Waveforms

Parameter Measurement Information (cont.)



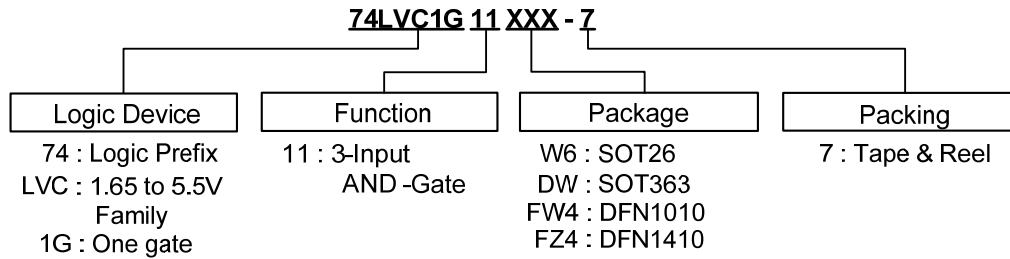
| V_{CC} | Inputs | | V_M | C_L | R_L |
|------------------|----------|--------------|------------|-------|--------------|
| | V_I | t_r/t_f | | | |
| $1.8V \pm 0.15V$ | V_{CC} | $\leq 2ns$ | $V_{CC}/2$ | 30pF | 1k Ω |
| $2.5V \pm 0.2V$ | V_{CC} | $\leq 2ns$ | $V_{CC}/2$ | 30pF | 500 Ω |
| $3.3V \pm 0.3V$ | 3V | $\leq 2.5ns$ | 1.5V | 50pF | 500 Ω |
| $5V \pm 0.5V$ | V_{CC} | $\leq 2.5ns$ | $V_{CC}/2$ | 50pF | 500 Ω |



- Notes:
- A. Includes test lead and test apparatus capacitance.
 - B. All pulses are supplied at pulse repetition rate $\leq 10MHz$
 - C. Inputs are measured separately one transition per measurement
 - D. t_{PLH} and t_{PHL} are the same as t_{PD}

Figure 2 Load Circuit and Voltage Waveforms

Ordering Information

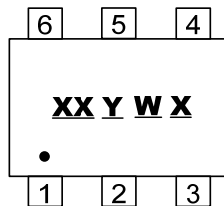


| Part Number | Package Code | Packaging (Note 7) | 7" Tape and Reel | |
|----------------|--------------|--------------------|------------------|--------------------|
| | | | Quantity | Part Number Suffix |
| 74LVC1G11W6-7 | W6 | SOT26 | 3000/Tape & Reel | -7 |
| 74LVC1G11DW-7 | DW | SOT363 | 3000/Tape & Reel | -7 |
| 74LVC1G11FW4-7 | FW4 | X2-DFN1010-6 | 5000/Tape & Reel | -7 |
| 74LVC1G11FZ4-7 | FW4 | X2-DFN1410-6 | 5000/Tape & Reel | -7 |

Note: 7. The taping orientation is located on our website at <http://www.diodes.com/datasheets/ap02007.pdf>

Marking Information

(1) SOT26, SOT363

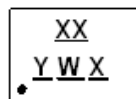


XX : Identification code
Y : Year 0~9
W : Week : A~Z : 1~26 week;
 a~z : 27~52 week; z represents
 52 and 53 week
X : A~Z : Internal Code

| Part Number | Package | Identification Code |
|-------------|---------|---------------------|
| 74LVC1G11W6 | SOT26 | TV |
| 74LVC1G11DW | SOT363 | TV |

(2) X2-DFN1010-6, X2-DFN1410-6

(Top View)



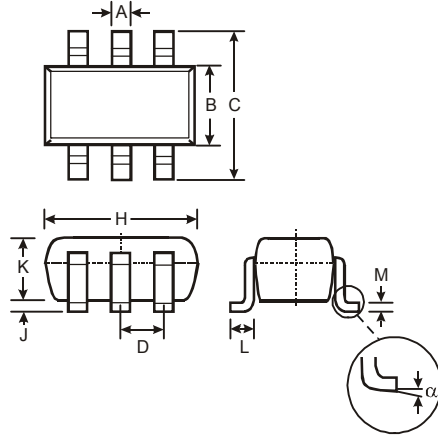
XX : Identification Code
Y : Year : 0~9
W : Week : A~Z : 1~26 week;
 a~z : 27~52 week; z represents
 52 and 53 week
X : A~Z : Internal code

| Part Number | Package | Identification Code |
|--------------|--------------|---------------------|
| 74LVC1G11FW4 | X2-DFN1010-6 | TV |
| 74LVC1G11FZ4 | X2-DFN1410-6 | TV |

Package Outline Dimensions (All dimensions in mm.)

Please see AP02002 at <http://www.diodes.com/datasheets/ap02002.pdf> for the latest version.

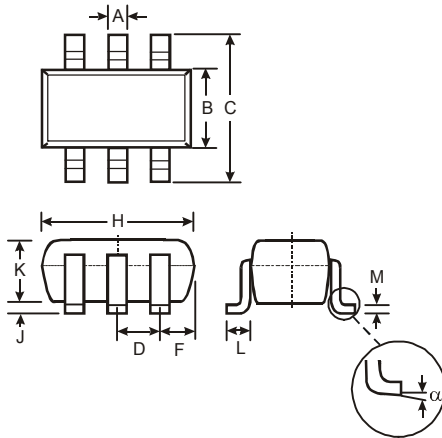
(1) Package Type: SOT26



| SOT26 | | | |
|-------|-------|------|------|
| Dim | Min | Max | Typ |
| A | 0.35 | 0.50 | 0.38 |
| B | 1.50 | 1.70 | 1.60 |
| C | 2.70 | 3.00 | 2.80 |
| D | — | — | 0.95 |
| H | 2.90 | 3.10 | 3.00 |
| J | 0.013 | 0.10 | 0.05 |
| K | 1.00 | 1.30 | 1.10 |
| L | 0.35 | 0.55 | 0.40 |
| M | 0.10 | 0.20 | 0.15 |
| α | 0° | 8° | — |

All Dimensions in mm

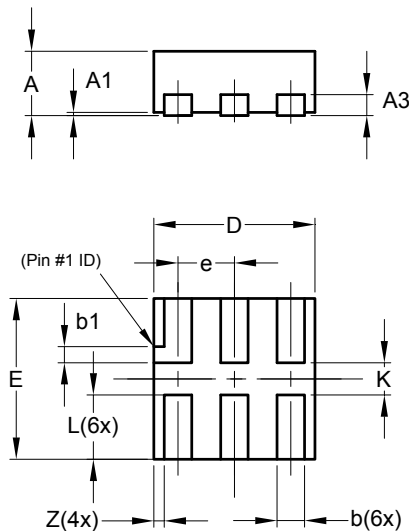
(2) Package Type: SOT363



| SOT363 | | |
|--------|----------|------|
| Dim | Min | Max |
| A | 0.10 | 0.30 |
| B | 1.15 | 1.35 |
| C | 2.00 | 2.20 |
| D | 0.65 Typ | |
| F | 0.40 | 0.45 |
| H | 1.80 | 2.20 |
| J | 0 | 0.10 |
| K | 0.90 | 1.00 |
| L | 0.25 | 0.40 |
| M | 0.10 | 0.22 |
| α | 0° | 8° |

All Dimensions in mm

(3) Package Type: DFN1010



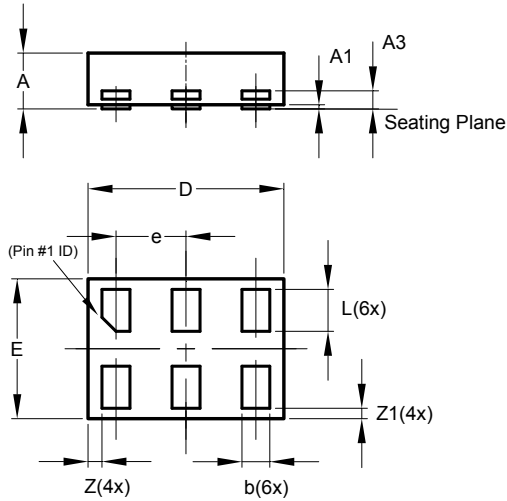
| X2-DFN1010-6 | | | |
|--------------|------|------|-------|
| Dim | Min | Max | Typ |
| A | — | 0.40 | 0.39 |
| A1 | 0.00 | 0.05 | 0.02 |
| A3 | — | — | 0.13 |
| b | 0.14 | 0.20 | 0.17 |
| b1 | 0.05 | 0.15 | 0.10 |
| D | 0.95 | 1.05 | 1.00 |
| E | 0.95 | 1.05 | 1.00 |
| e | — | — | 0.35 |
| L | 0.35 | 0.45 | 0.40 |
| K | 0.15 | — | — |
| Z | — | — | 0.065 |

All Dimensions in mm

Package Outline Dimensions (cont.) (All dimensions in mm.)

Please see AP02002 at <http://www.diodes.com/datasheets/ap02002.pdf> for the latest version.

(4) Package Type X2-DFN1410-6

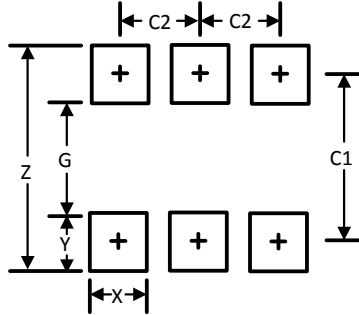


| X2-DFN1410-6 | | | |
|-----------------------------|-------|-------|-------|
| Dim | Min | Max | Typ |
| A | — | 0.40 | 0.39 |
| A1 | 0.00 | 0.05 | 0.02 |
| A3 | — | — | 0.13 |
| b | 0.15 | 0.25 | 0.20 |
| D | 1.35 | 1.45 | 1.40 |
| E | 0.95 | 1.05 | 1.00 |
| e | — | — | 0.50 |
| L | 0.25 | 0.35 | 0.30 |
| Z | — | — | 0.10 |
| Z1 | 0.045 | 0.105 | 0.075 |
| All Dimensions in mm | | | |

Suggested Pad Layout (All dimensions in mm.)

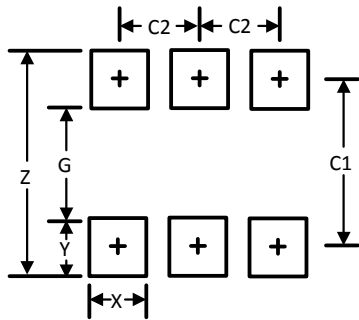
Please see AP02001 at <http://www.diodes.com/datasheets/ap02001.pdf> for the latest version.

(1) Package Type: SOT26



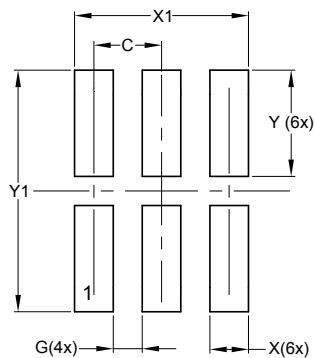
| Dimensions | Value (in mm) |
|------------|---------------|
| Z | 3.20 |
| G | 1.60 |
| X | 0.55 |
| Y | 0.80 |
| C1 | 2.40 |
| C2 | 0.95 |

(2) Package Type: SOT363



| Dimensions | Value (in mm) |
|------------|---------------|
| Z | 2.5 |
| G | 1.3 |
| X | 0.42 |
| Y | 0.6 |
| C1 | 1.9 |
| C2 | 0.65 |

(3) Package Type X2-DFN1010-6

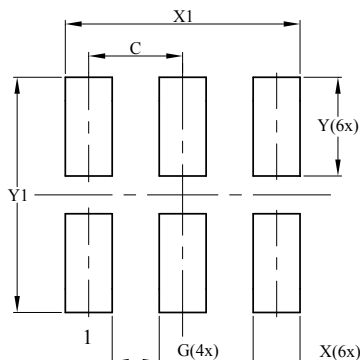


| Dimensions | Value (in mm) |
|------------|---------------|
| C | 0.350 |
| G | 0.150 |
| X | 0.200 |
| X1 | 0.900 |
| Y | 0.550 |
| Y1 | 1.250 |

Suggested Pad Layout (cont.)

Please see AP02001 at <http://www.diodes.com/datasheets/ap02001.pdf> for the latest version.

(4) Package Type: X2-DFN1410-6



| Dimensions | Value (in mm) |
|------------|---------------|
| C | 0.500 |
| G | 0.250 |
| X | 0.250 |
| X1 | 1.250 |
| Y | 0.525 |
| Y1 | 1.250 |

IMPORTANT NOTICE

DIODES INCORPORATED MAKES NO WARRANTY OF ANY KIND, EXPRESS OR IMPLIED, WITH REGARDS TO THIS DOCUMENT, INCLUDING, BUT NOT LIMITED TO, THE IMPLIED WARRANTIES OF MERCHANTABILITY AND FITNESS FOR A PARTICULAR PURPOSE (AND THEIR EQUIVALENTS UNDER THE LAWS OF ANY JURISDICTION).

Diodes Incorporated and its subsidiaries reserve the right to make modifications, enhancements, improvements, corrections or other changes without further notice to this document and any product described herein. Diodes Incorporated does not assume any liability arising out of the application or use of this document or any product described herein; neither does Diodes Incorporated convey any license under its patent or trademark rights, nor the rights of others. Any Customer or user of this document or products described herein in such applications shall assume all risks of such use and will agree to hold Diodes Incorporated and all the companies whose products are represented on Diodes Incorporated website, harmless against all damages.

Diodes Incorporated does not warrant or accept any liability whatsoever in respect of any products purchased through unauthorized sales channel.

Should Customers purchase or use Diodes Incorporated products for any unintended or unauthorized application, Customers shall indemnify and hold Diodes Incorporated and its representatives harmless against all claims, damages, expenses, and attorney fees arising out of, directly or indirectly, any claim of personal injury or death associated with such unintended or unauthorized application.

Products described herein may be covered by one or more United States, international or foreign patents pending. Product names and markings noted herein may also be covered by one or more United States, international or foreign trademarks.

This document is written in English but may be translated into multiple languages for reference. Only the English version of this document is the final and determinative format released by Diodes Incorporated.

LIFE SUPPORT

Diodes Incorporated products are specifically not authorized for use as critical components in life support devices or systems without the express written approval of the Chief Executive Officer of Diodes Incorporated. As used herein:

A. Life support devices or systems are devices or systems which:

1. are intended to implant into the body, or
2. support or sustain life and whose failure to perform when properly used in accordance with instructions for use provided in the labeling can be reasonably expected to result in significant injury to the user.

B. A critical component is any component in a life support device or system whose failure to perform can be reasonably expected to cause the failure of the life support device or to affect its safety or effectiveness.

Customers represent that they have all necessary expertise in the safety and regulatory ramifications of their life support devices or systems, and acknowledge and agree that they are solely responsible for all legal, regulatory and safety-related requirements concerning their products and any use of Diodes Incorporated products in such safety-critical, life support devices or systems, notwithstanding any devices- or systems-related information or support that may be provided by Diodes Incorporated. Further, Customers must fully indemnify Diodes Incorporated and its representatives against any damages arising out of the use of Diodes Incorporated products in such safety-critical, life support devices or systems.

Copyright © 2013, Diodes Incorporated

www.diodes.com

Looking for pricing, stock, or lifecycle information?

Click below to explore more details on WIN SOURCE:

 [View 74LVC1G11FW4-7 on WIN SOURCE](#)

 [Diodes Incorporated Information](#)

Optimize Your Supply Chain with WIN SOURCE Solutions

-  Global Sourcing Solution
-  Obsolete Management
-  Cost Control Management
-  Shortage Management
-  Alternative Solution
-  Excess Inventory Management