

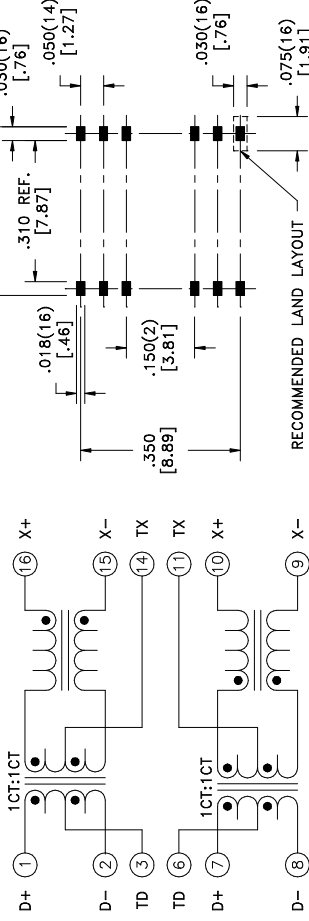
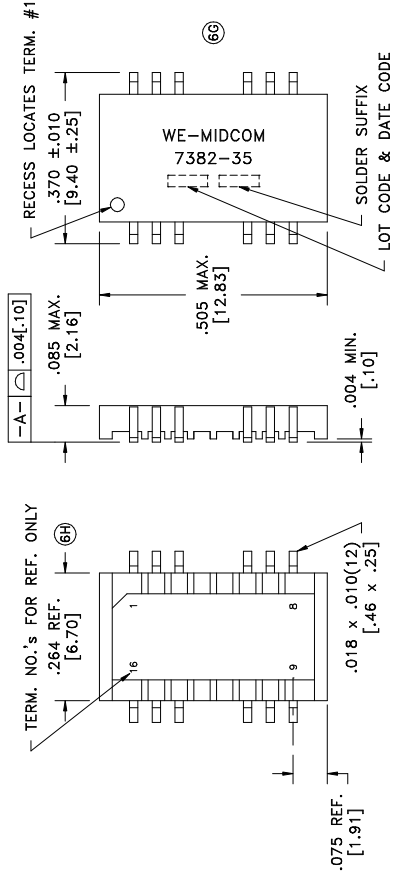


**THE DATASHEET OF**  
**749020100**



SOLDER SUFFIX	CUSTOMER TERMINAL	RoHS	LEAD(Pb)-FREE
	Sn63%, Pb37%	No	No
LF1	Sn96%, Ag4%	Yes	Yes

66



69

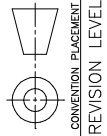
**ELECTRICAL SPECIFICATIONS @ 25°C unless**

INDUCTANCE: 350uH min., 100kHz, 100mV, 8mA DC  
 DIELECTRIC RATING: 1500Vrms, 1 minute tested by apply 1-16(tie 1+8, 9+16).  
 TURNS RATIO & POLARITY: Per schematic.  
 INSERTION LOSS: -1.04B max., 300k - 125MHz.  
 RETURN LOSS: -18dB min., 1M - 40MHz.  
 -15dB min., 40M - 60MHz.  
 -12dB min., 60M - 80MHz.  
 -10dB min., 80M - 100MHz.  
 CROSSTALK: -35dB min., 1M - 150MHz.  
 COMMON MODE REJECTION: -42dB min., 1M - 32MHz.  
 -33dB min., 32M - 150MHz.

OPERATING TEMPERATURE RANGE: 0°C to +70°C.

COPLANARITY: All 12 terminals must lie on a plane within .004 [0.10].  
 Midcom p/n 000-7382-35R-LF1 is eiSos p/n: 749020100.

REV.	DATE	Packaging Specifications
6H	5/11	Method: Tape & Reel
6G	2/10	PKG-0362 www.we-online.com/midcom
6F	8/08	SEE REVISION SHEET FOR REVISION LEVEL
6E	6/08	



Tolerances unless otherwise specified:  
 Angles: ±1°  
 Fractions: ±1/64  
 Decimals: ±.005  
 Footprint: ±.005  
 This drawing is dual dimensioned. Dimensions in brackets are in millimeters.

69

DRAWING TITLE

**TRANSFORMER**  
 AEDFP-G12

eiSos p/n: 749020100

PART

0



SPEC

## Looking for pricing, stock, or lifecycle information?

Click below to explore more details on WIN SOURCE:

-  [View 749020100 on WIN SOURCE](#)
-  [Wurth Electronics Inc Information](#)

## Optimize Your Supply Chain with WIN SOURCE Solutions

-  Global Sourcing Solution
-  Obsolete Management
-  Cost Control Management
-  Shortage Management
-  Alternative Solution
-  Excess Inventory Management